



SEASTAR
SOLUTIONS®

640 North Lewis Road
Limerick, PA 19468 USA
610-495-7011
www.seastarsolutions.com

SA27253P STEERING CONNECTION KIT SPLASHWELL MOUNT INSTRUCTIONS

INSTALLER: THESE INSTRUCTIONS CONTAIN IMPORTANT SAFETY INFORMATION AND MUST BE FORWARDED TO THE BOAT OWNER.

PART "A" SPLASHWELL INSTALLATION

CONTENTS OF THIS KIT PROVIDE A THRU WALL MOUNTING FOR STEERING CABLES (MANUFACTURED BY SEASTAR SOLUTIONS) AND IS DESIGNED FOR USE WITH SPLASHWELLS UP TO 30" (760 MM) WIDE.

WARNING

READ THESE INSTRUCTIONS THOROUGHLY BEFORE BEGINNING INSTALLATION. FAILURE TO FOLLOW THESE INSTRUCTIONS, OR INCORRECT ASSEMBLY COULD RESULT IN STEERING FAILURE WITH SUBSEQUENT PERSONAL INJURY AND PROPERTY DAMAGE. IN ORDER TO OBTAIN THE BEST STEERING PERFORMANCE, THE OUTBOARD MOTOR OR OUTDRIVE MUST BE INSTALLED AND LUBRICATED AND THE TRIM TAB ADJUSTED IN ACCORDANCE WITH THE MOTOR MANUFACTURER AND THE BOAT MANUFACTURER'S SPECIFICATIONS. CHECK THE CONTENTS OF THIS KIT AGAINST THE PARTS LIST ON THIS INSTRUCTION SHEET. USE PARTS SUPPLIED ONLY AS INSTRUCTED ON THIS SHEET. DO NOT SUBSTITUTE PARTS OR COMPONENTS FROM OTHER STEERING MANUFACTURERS. THEY CAN CAUSE A SAFETY HAZARD FOR WHICH SEASTAR SOLUTIONS CANNOT ACCEPT RESPONSIBILITY.

PREPARATION FOR INSTALLATION

NOTE: A MINIMUM SPLASHWELL WALL THICKNESS OF 1/2 INCH (13mm) IS REQUIRED FOR INSTALLATION OF THIS KIT. This minimum dimension may be met by reinforcing the mounting area with Marine plywood of the appropriate thickness, and positioned as shown in figures 1 & 2. It is essential that the structural integrity of the splashwell wall be sufficient to withstand all steering loads which may be imposed on it.

1. Using the splashwell template (Fig. 3), lay out and drill mounting and clearance holes as shown. NOTE: LOCATION MUST BE ON THE SAME SIDE OF THE BOAT AS THE STEERING CABLE ROUTING.
2. If a reinforcing block is necessary it should be fabricated using same hole sizes and configurations as shown in Figure 3. The reinforcing block must be installed behind the splashwell wall.

ASSEMBLY AND INSTALLATION

Caution: The Ball retainer (Item 4) Gimbal Ball (Item 3) and

©1976 Marine Acquisition (US) Inc.

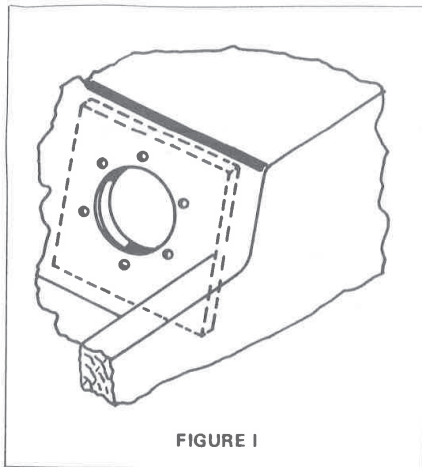


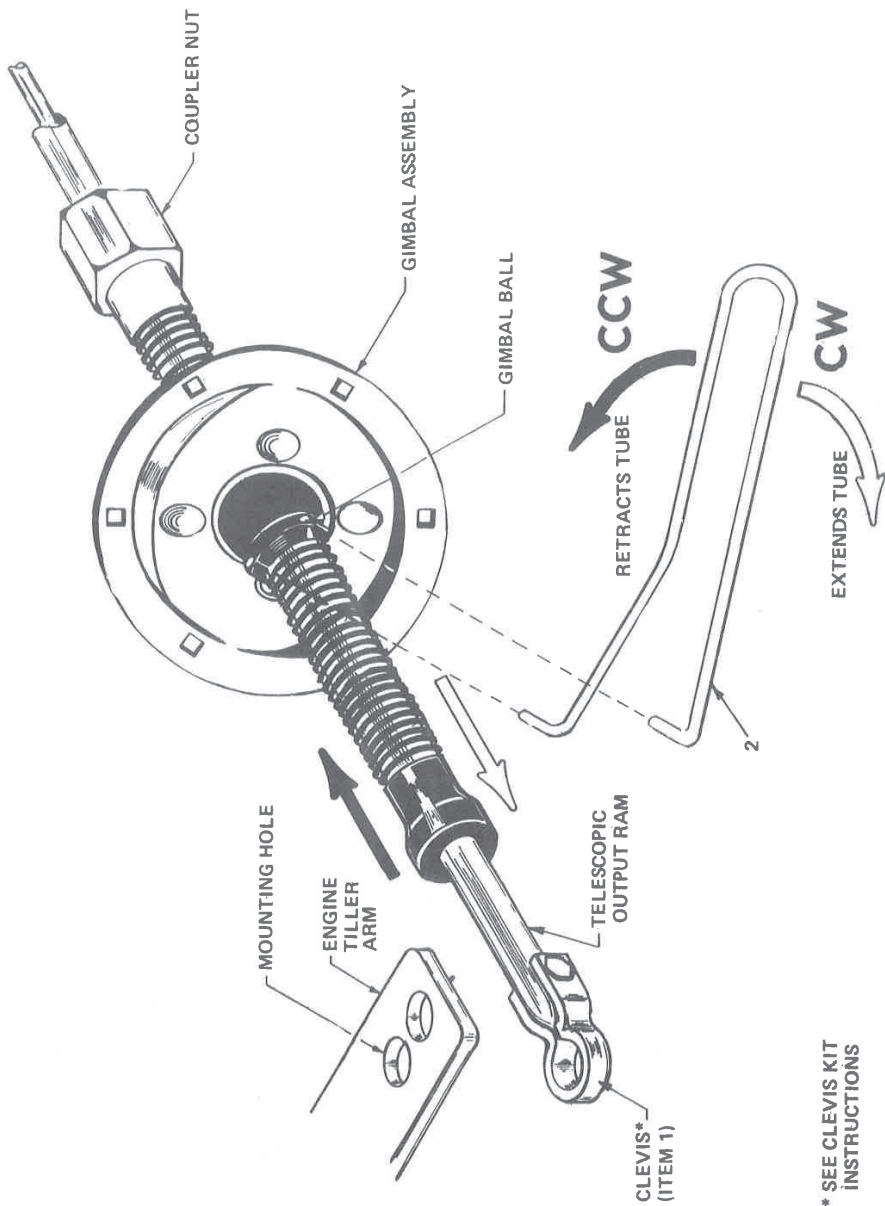
FIGURE 1

Support Tube (Item 2) have been preassembled. DO NOT SEPARATE THESE PARTS.

1. Position Gimbal assembly to the splashwell, using a reinforcing block if necessary. The "Boot" end of the support tube must point toward the centerline of the boat (see Fig. 2).
2. Secure this assembly to the splashwell wall using Carriage Bolts (Item 5) Washers (Item 6) and Lock Nuts (Item 7) as shown in Figure 2, torquing Nuts to 75 inch pounds. DO NOT EXCEED 100 INCH POUNDS.
3. Install Boot and Wiper Assembly (Item 1) to the Support Tube as shown in Figure 2, seating firmly.
4. Insert the telescopic end of Steering Cable (see Figure 2) through Support Tube (Item 2). Thread Coupler Nut to Support Tube and tighten securely (approximately 15 foot pounds).

Grip Support Tube with a strap wrench or equivalent tool which will not cause surface damage to or collapse tube. A 1-1/4 inch open end wrench may be used to turn Coupler Nut.

IS-7402, Rev 1, 05/2013



IS-7402