

NOTICE

May not be available in all markets, visit:
www.seastarsolutions.com
 for availability.

Built in the same tradition as SeaStar Inboard Steering, these BayStar Systems are designed for relatively low torque inboard applications, including inland waterway boats and other low speed displacement vessels.

The systems are easy to install with “cut-to-length” tubing. Available in complete kits or by individual components. For detailed application information go to www.seastarsolutions.com

*If unsure of total steering loads, contact SeaStar Solutions Technical Support for assistance.

Features

- Compact cylinder design
- HC4460-3 – 6.25” stroke
- HC4461-3 – 6.0” stroke
- Optional Tilt helm available
- Helm fits standard 3” dash cut outs
- Fast easy installation

Order Guide



ORDER INFORMATION	PART NO.
BayStar 30kg/m (2600 in-lbs) Inboard cylinder	HC4461-3
BayStar 52kg/m (4500 in-lbs) Inboard cylinder	HC4460-3
BayStar Helm 1.1 cu-in	HH4311-3
BayStar Helm 1.4 cu-in	HH4313-3
BayStar 20ft tubing kit	HT4420
1 Litre Steering Fluid	HA5430
BayStar Sport Tilt Helm	HH4315-3
BayStar Mounting Kit	HA5476
BayStar 30kg/m (2600 in-lbs) Inboard Steering Kit (comprising: HH4314 helm, HC4461 cylinder, HT4420 tubing kit, 2 x HA5430 fluid)	HK4401
BayStar 52kg/m (4500 in-lbs) Inboard Steering Kit (comprising: HH4314 helm, HC4460 cylinder, HT4420 tubing kit + 2 x HA5430 fluid)	HK4400H

Table 2-1.

Standard Helm Part # HH4311-3 & HH4314-3

HH4311-3 (1.1 cu. in.) HH4314-3 (1.4 cu. in.)
 Refer to page 12-9 for total wheel turns.

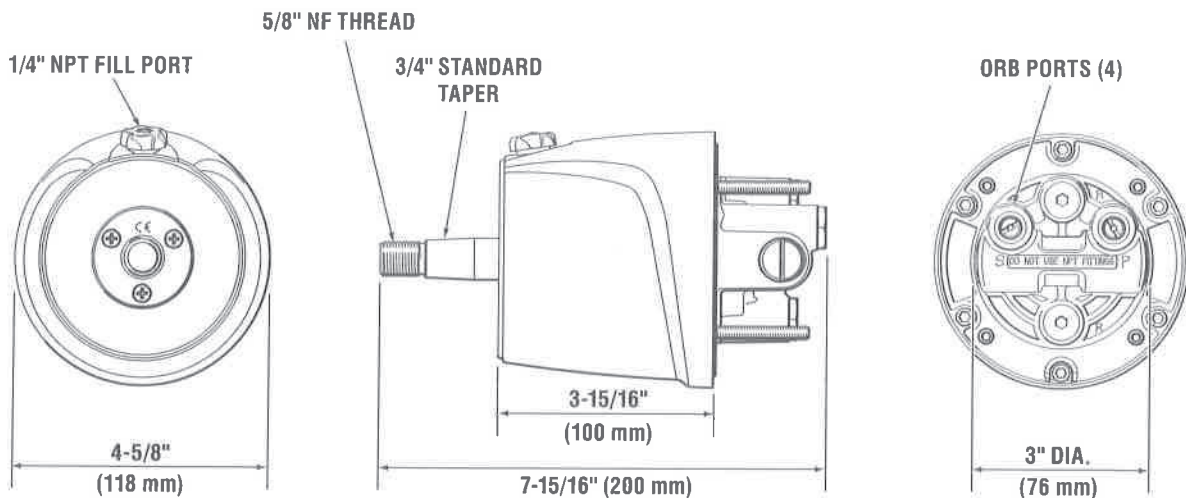
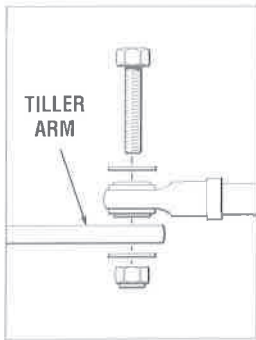


Figure 2-1.

HC4461-3
BA100-6ATM (2600 in-lbs)



ATTACHMENT TO TILLER ARM

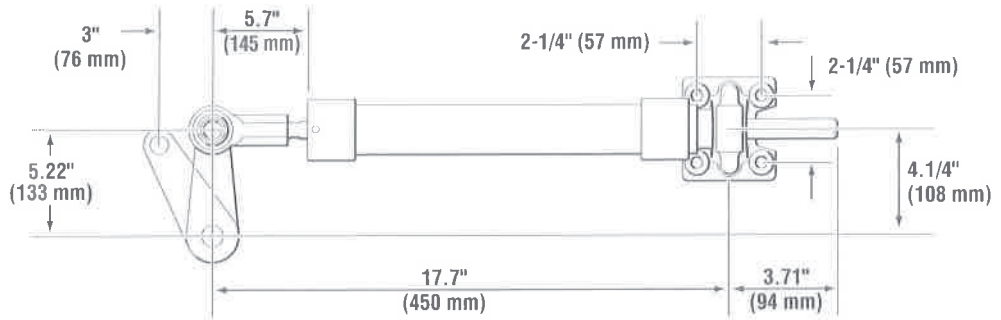
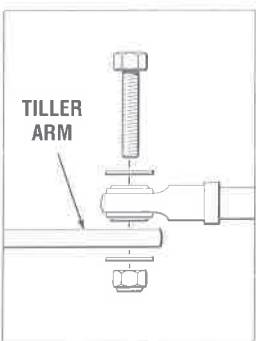


Figure 2-2.

HC4460-3
BA125-6.25 ATM (4500 in-lbs)



ATTACHMENT TO TILLER ARM

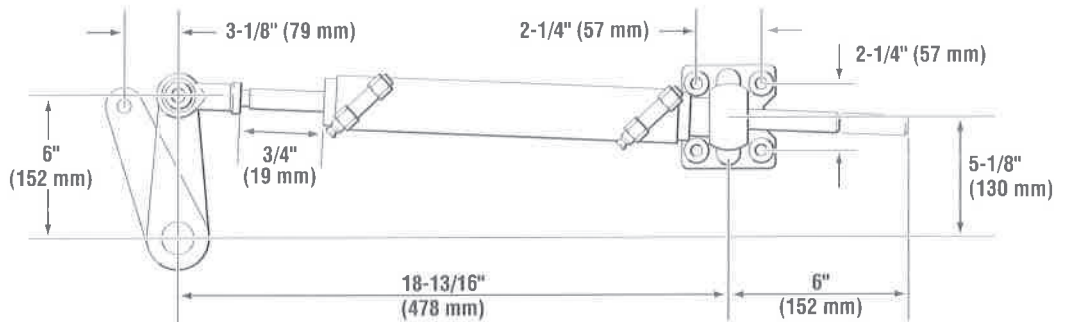


Figure 2-3.

⚠ CAUTION

If unsure of total steering loads, contact SeaStar Solutions Technical Support for assistance.