



INSTALLATION INSTRUCTIONS AND OWNERS MANUAL

Part # 055000-049, Rev 3, 07/2013

www.seastarsolutions.com

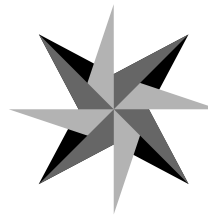
Twin S Control
CH5200P



Single S Control
CH5210P

S Series Controls
CH5200P/CH5210P

ch2200
ch2300
mt3
osprey
pro-trim
single s
twin s
sl-3



SEASTAR
SOLUTIONS®

MANUFACTURED BY
MARINE ACQUISITION INCORPORATED
DBA SEASTAR SOLUTIONS
U.S.A.



*Before you do it your way,
please try it our way.*

S SERIES CONTROLS

CH5200P TWIN S

CH5210P SINGLE S

NOTICE

Installer: these instructions contain important safety information and must be forwarded to the boat owner.

The model "S" provides remote control operation of throttle or clutch of a gasoline or diesel inboard engine equipped with a hydraulic transmission. The "Twin S" can control both throttle and clutch of a single engine. Dual station control from both the cabin and the bridge is obtained by using "S" or "Twin S" controls connected in tandem or parallel. SeaStar Solutions 3300/33C Xtreme cables are recommended in dual station installations for best results. These controls can be used in combination for any desired grouping of the clutch and throttle functions (see Table 1).

For use with Type 3300/33C cables.

For use with Type 43C cables with the addition of Kit 042152 (1 kit per cable).

Cable installation and connections must be made in accordance with the motor manufacturer's instructions.

To insure best performance, free operation of all linkages and the remote control is essential. Follow the manufacturer's recommended procedures for adjustment and lubrication.

All specifications and features are subject to change without notice.

⚠ WARNING

SeaStar Solutions highly recommends the installation and usage of an engine shut off switch as a important emergency safety feature for boats. This switch should be connected by a cord to the boat driver. Should the driver be thrown from the helm position, the engine will automatically shut off.

This shut off switch is not a standard part of the control you are using. It can, however, be obtained from most marine dealers and distributors.

⚠ WARNING

Before starting installation read these instructions and engine makers instructions thoroughly. Failure to follow either of these instructions or incorrect assembly can result in loss of control and cause property damage, injury, or death.

⚠ WARNING

DO NOT substitute parts from other manufacturers, they may cause a safety hazard for which SeaStar Solutions cannot accept responsibility.

Equipment Required

The following components make a remote control installation for one engine. For twin engines, each of these should be doubled. See pages 7 and 8 for options, conversions and replacement kits.

COMPONENTS	SINGLE STATION		DUAL STATION	
	"S"	"TWIN S"	"S"	"TWIN S"
Clutch Connection Kit Trans End	1	1	1	1
Throttle Connection Kit Engine End	1	1	1	1
3300/33C Cables	1	2	—	—
33C Xtreme Cables	1	2	4	4

TABLE 1

Control Head Location

STEP 1. Allow clearance for forward and reverse movement of the hand lever. (See Figure 1)

STEP 2. The bottom of the control assembly should not interfere with the steering or components of the wheel box.

STEP 3. The area below the control should allow a clear path for the cables.

STEP 4. Cut the opening according to the template provided.

NOTICE

*Do not cut the opening any larger than the template indicates.
Do not mount the control at this time.*

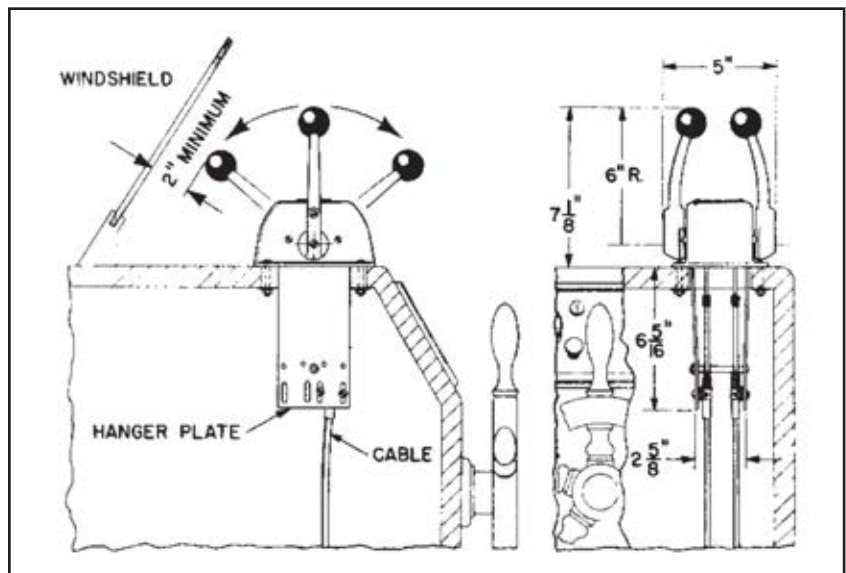


Figure 1.

Control Cable Installation

STEP 1. Determine whether Push or Pull operation of the cable is for forward operation of the clutch and if Push or Pull operation of the throttle is required. The cable will be installed in the control using the outer hole (3" travel) of the control arm in Push or Pull mode.

NOTICE

Push is toward the bow and Pull is toward the stern. See Figure 2. The other holes are for special applications only. Do not use these holes unless they are specified by the instructions packaged in the kits.

STEP 2. Screw the terminal onto the cable rod until the rod end is flush with the back of the terminal. Tighten the cable jam nut against the terminal.

STEP 3. Lubricate the terminal and insert it into the outer hole of the arm. Insert the cotter pin and spread.

STEP 4. Mount the cable hub to the hanger plate using the shim, cable clamp, screws and nuts provided. Ensure that the recess in the cable clamp engages the groove in the cable hub.

NOTICE

The "Twin S" follows the same procedure for installation of the second cable.

STEP 5. Use the clutch detent kit (Part Number 022328) with the cable operating the engine shift. Follow the instructions, packed with the kit, for detent.

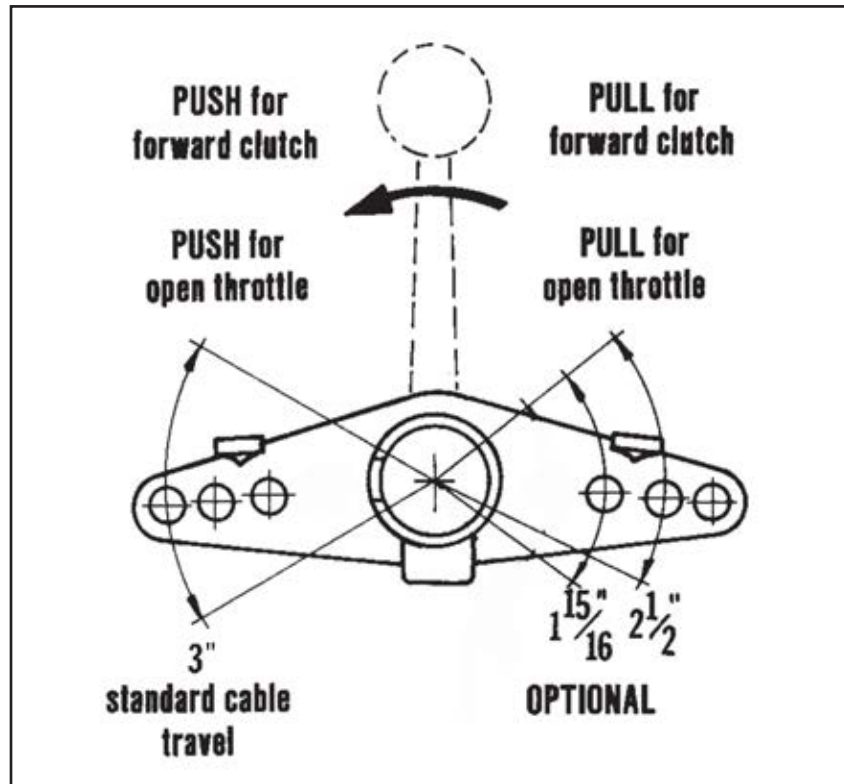


Figure 2.

Mounting the Control Head

STEP 1. Feed the control cables thru the opening cut out to the engine throttle and clutch levers.

⚠ CAUTION

Always run the cables as straight as possible. Avoid all sharp bends (8in. [203.2mm] minimum radius) with as few bends as possible.

STEP 2. Fasten the controls to the console with the hardware provided.

Connecting the Cables to the Engine

STEP 1. Install the correct engine throttle and clutch connection kits to the engine if not provided with the engine.

STEP 2. Connect the cables to the engine using the engine connection kit instructions or as provided by the engine manufacturer.

Final Adjustment

STEP 1. Operate the clutch hand lever. The detent positions and the clutch lever detents of the transmission must coincide exactly at forward, neutral and reverse positions. Adjust the cable terminal at the transmission, if necessary, to obtain correct operation.

STEP 2. Adjust the clutch control hand lever stop screws to prevent operation of the control beyond forward and reverse detent positions. Remove the name plate on top of the control to uncover the stop screws.

STEP 3. Operate the throttle hand lever. Adjust the throttle cable terminal at the engine to obtain full open throttle movement. Adjust the throttle hand lever stop screws so that the lever rests on the rear stop screw at full open position and on the front screw at idle.

STEP 4. A friction brake setscrew is located at the hub center of the hand lever (See Figure 4). Turn the setscrew clockwise to increase drag on the hand lever or counter-clockwise to decrease drag as required.

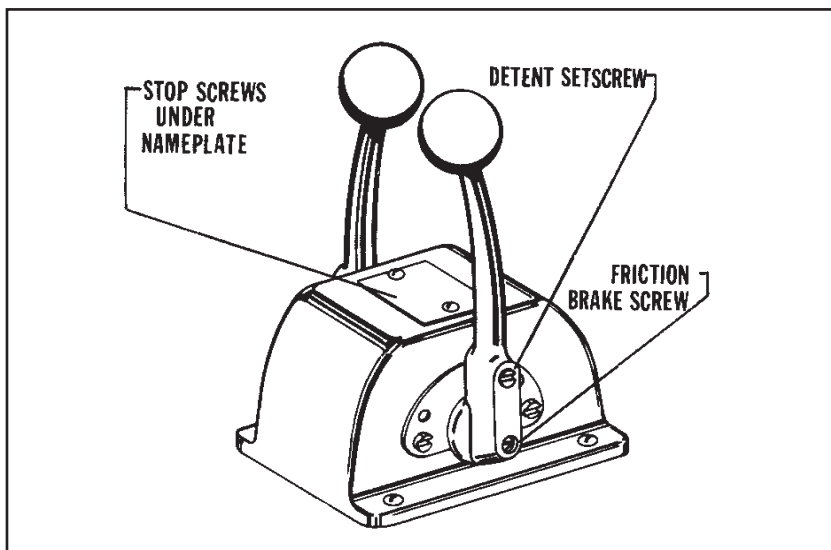


Figure 3.

NOTICE

For dual station, brake friction should be at a minimum without allowing the hand levers to be loose.

Complete Installation of the Control

STEP 1. Tighten the cable jam nuts securely at the terminals on both ends of the cable.

STEP 2. Apply light film of waterproof marine grease to all moving parts just installed.

STEP 3. Secure all cable supports but do not crush the cable.

STEP 4. Check the control levers. They should operate freely with light hand pressure. Binding of the levers could be traced to:

1. Excessive number of cable bends
2. Sharp cable bend(s)
3. Bends smaller than 8" min. radius
4. Cable supports clamped too tight
5. Damaged cable
6. Friction brakes too tight
7. Tight/misaligned engine linkage

Dual Station Applications

Typical dual station applications are shown in Figure 4.

NOTICE

SeaStar Solutions recommends using Xtreme Cables on dual station installations for maximum efficiency.

Dual station control operation does not feel as smooth as single station, since the system friction has been doubled. See step 4 under "Complete Installation of the Control."

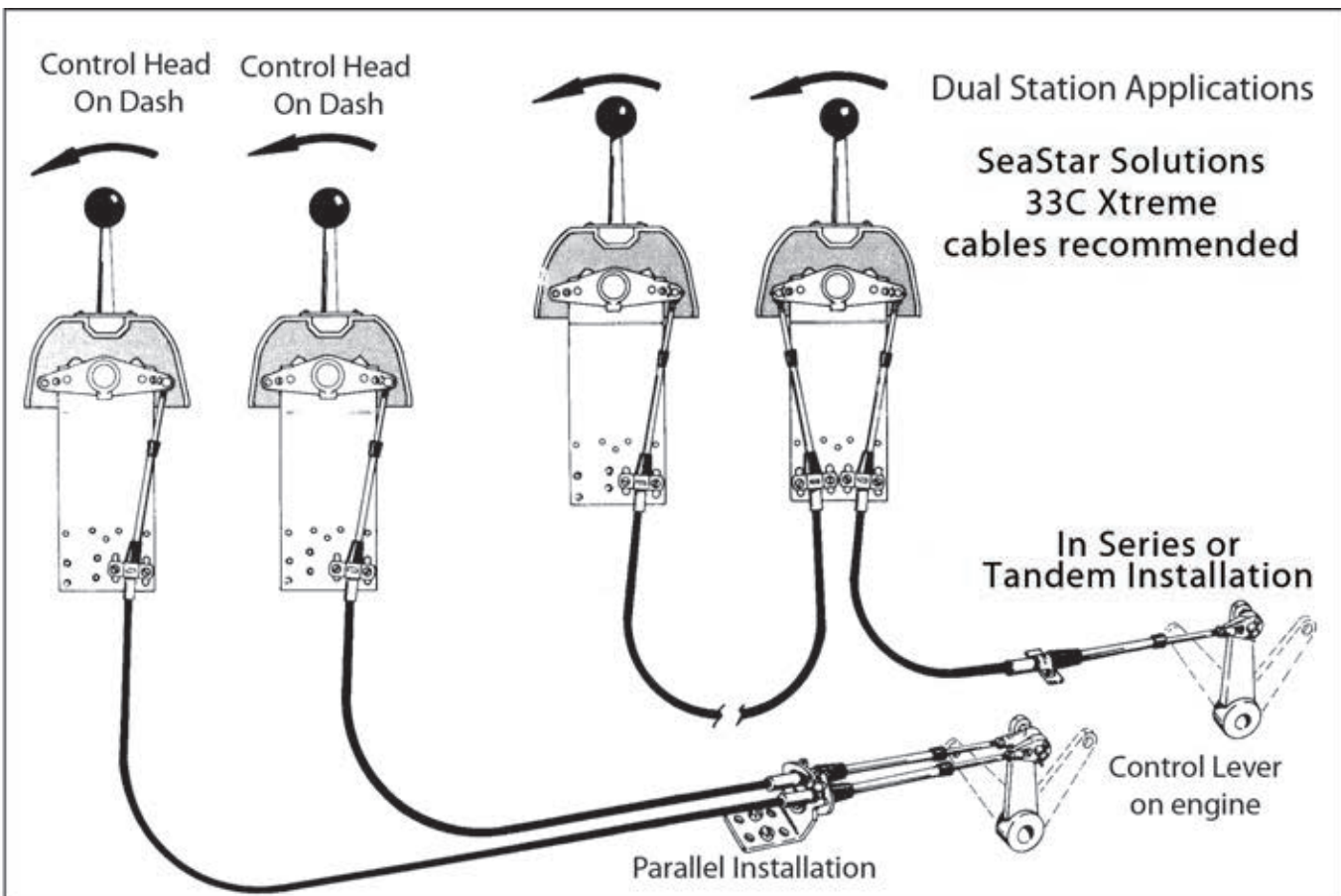


Figure 4.

Heavy Duty

Heavy duty kits are available to attach SeaStar Solutions 4300 cables to the “S” controls, if desired. 4300 cables have a higher strength capacity, but 3300/33C cables are recommended for the most efficient system.

Maintenance

For the best protection, especially in salt water, wipe all metal parts with oil or a good quality light marine grease. Always rinse with fresh water after every use.

Available Parts Kits

Housing Replacement Kits

Item	Single S Control	Description	Twin S Control
	CA67864P		CA67865P
16	1	Housing	1
22	1	Bearing	2
9	1	Top Plate	1
8	2	Plate Screws	2
17	2	Side Screws	4
28	2	Side Washers	4
23	1	Tapered Screw	2
	1	Instruction	1

Bearing and Hardware Kits

Item	Single S Control	Description	Twin S Control
	CA67868P		CA67869P
1	1	Cotter Pin	2
2	1	Cable Pivot	2
4	1	Shim	2
5	1	Clamp	2
7	2	Screw	4
11	1	Brake Screw	2
12	4	Mounting Screw	4
13	4	Flat Washer	4
14	4	Spring Washer	4
15	4	Nut	4
17	2	Side Screw	4
18	1	Brake Pin	1
21	1	Detent Screw	2
22	1	Nyliner Bearing	2
27	2	Nut	4
28	2	Side Washer	4
	1	Instructions	1

Handle Replacement Kits

Item	Single S Control	Description	Twin S Control
	CA67866P		CA67867P
20	1	Handle	2
18	1	Brake Pin	1
21	1	Detent Screw	2
11	1	Brake Screw	2
22	1	Nyliner Bearing	2
23	1	Tapered Screw	2
19	1*	Red Knob	1
19	1*	Black Knob	1
	1	Instructions	1

Hand Lever Ball Kit #CA68287P includes:
1 Red Ball
1 Black Ball

*On single S Control applications, use either red or black knob (red for throttle, black for all other applications).

Conversion Parts Kits

Neutral Safety Switch #047307 (Order 2 For Twin Shift Functions)
Only 1 per transmission required in a dual station application.

Detent and Friction Kits

Clutch Detent Kit #022328 (1 kit per clutch cable)

Throttle Friction Kit # 306997 (1 kit per throttle cable)

In Line Dual Station Kit

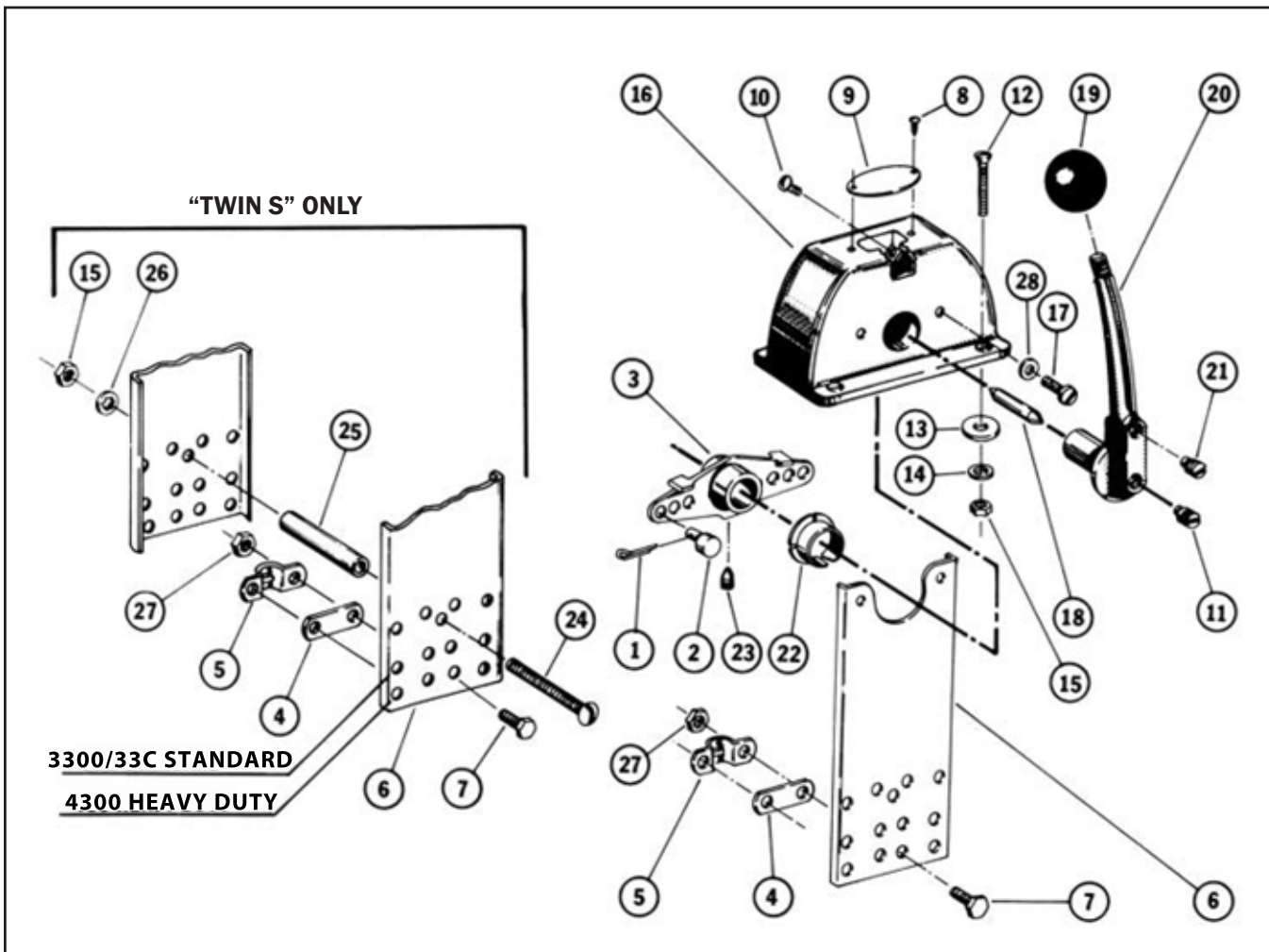
To add to lower station control arm for additional cable routed to upper station. (1 kit per cable)

3300/33C Series Cable Connection Kit #039489-002

4300 Series Cable Connection Kit #042152

4300 Series Cable Connection Kit #042152

Converts control hardware from 3300/33C Series cable to 4300 Series cable (1 kit per cable).



<p><u>USA Sales/Support</u> SeaStar Solutions 640 North Lewis Road Limerick, PA 19468 610-495-7011 www.seastarsolutions.com</p>	<p><u>Overseas Sales/Support</u> SeaStar Solutions International Sales and Marketing Tel: +44 1202 828010 www.seastarsolutions.com</p>
---	--



© 1967 MARINE ACQUISITION (US) INC.

PART NO. 055000-049 07-2013 Rev. 3