

MEMBER
ABYC
Setting Standards for Safer Boating

1.3

ONE POINT THREE
ISO 9001

BAYSTAR™

CAPILANO™

SEASTAR™

INSTALLATION INSTRUCTIONS

AND OWNER'S MANUAL

www.seastarsolutions.com

Now with
adjustable O-ring
hose fittings



SEASTAR™

Hydraulic Steering for Outboard
Powered Vessels

Front Mount Pivot Cylinder



SEASTAR
SOLUTIONS®

*Before you do it your way,
please try it our way*

To the Installer and End User (Owner)

Thank you for choosing SeaStar Steering Systems by SeaStar Solutions. This Installation and Owner's Manual contains all the information that you and others will require for the safe installation and use of your steering system and MUST remain on board the boat. Throughout this manual, information for the safe installation and operation of the steering system will be distinguished in one of the following ways;

WARNING

Hazards or unsafe practices which could result in severe personal injury or death.

Failure to adhere to a warning may lead to loss of steering control. Loss of steering control may result in unpredictable boat behavior, leading to ejection from boat causing property damage, personal injury and/or death.

CAUTION

Hazards or unsafe practices which could result in minor injury or product or property damage.

NOTICE

Important information in regards to installation, use and maintenance of the steering components.

NOTICE

Marine Canada Acquisition Inc. DBA SEASTAR SOLUTIONS is referred to as SeaStar Solutions throughout this publication.

These safety alerts alone cannot eliminate all of the hazards that may be present while on the water. SeaStar Solutions recommends that all users of the steering system take an accredited 'boating safety course', follow safe boating practices and are made aware of the environment that they will be in.

INDEX

| | |
|--|----|
| Safety information | ii |
| Introduction | 3 |
| Important Information/Technical Support Contact..... | 3 |
| Parts List..... | 3 |
| Tools Required..... | 3 |
| Front Mount Outboard Installation Recommendations | 4 |
| System Overview | 5 |
| Minimum Splashwell Dimensions | 5 |
| Front Mount Cylinder | 5 |
| System Installation Overview..... | 6 |
| Hydraulic Hose Installation | 7 |
| Installation Instructions | 9 |
| Front Mount Cylinders..... | 9 |
| H05090 Spacer Kit..... | 10 |
| Ground Strap Installation..... | 11 |
| Tie Bar Installation | 12 |
| Positional O-Ring Horizontal and Vertical Tee Fitting Installation/Realignment..... | 13 |
| SeaStar Pro Cylinder | 14 |
| Single Engine Applications | 15 |
| Twin Engine Applications | 23 |
| Filling and Purging the System | 37 |
| Hydraulic Oil Requirements | 37 |
| Single Station Single Cylinder | 39 |
| Twin Station Single Cylinder..... | 41 |
| Single Station Twin Cylinder..... | 41 |
| Twin Station Twin Cylinder | 41 |
| Oil Level and System Check..... | 42 |
| Routine Maintenance | 43 |
| Troubleshooting Guide | 45 |
| Technical Information | 47 |
| Seal/Replacement Parts | 49 |
| Statement of Limited Warranty | 51 |
| Return Goods Procedure | 51 |

SAFETY INFORMATION

WARNING

The safety information provided below is intended to inform you of the dangers that may be present before, during and after the installation. It is critical that you read and understand ALL the points noted.

The safe operation of the steering system is dependant upon proper installation and maintenance, common sense, safe judgment and the knowledge/expertise of the operator. Every installer/user of the steering system should know the following requirements 'before' installing/using the steering system.

If you have any questions regarding any of these warnings, contact SeaStar Solutions.

To reduce risk of severe injury or death. Always wear a Coast Guard Approved personal flotation device (PFD) and use an engine shut-off cord (lanyard).

Before installation

1. Read and understand the Installation and Owner's Manuals provided with your steering components.
2. Ensure that all components required to complete the installation are on hand (including hoses, fittings, oil and the proper tools required for the installation).
3. SeaStar components are highly engineered and safety tested to ensure system integrity, DO NOT substitute any component with non-SeaStar components as this may compromise system performance/reliability.

Installation

CAUTION

-3 steering cylinders are fitted with ORB hose fittings. DO NOT use NPT fittings, irreparable damage to cylinder WILL occur.

1. Install components as directed in all Installation Manuals (including helm pumps, hoses and fitting kits).
2. DO NOT modify or substitute any component in any way without written consent from SeaStar Solutions.
3. Comply with all system ratings/regulations (boat/engine, U.S.C.G.).
 - Cylinder MUST be compatible with engine(s) installed.
 - Cylinder MUST be rated for use on the engine(s) installed.
4. Confirm that there is no interference between the steering cylinder(s), tiebars and the transom, splashwell, outboard engine or jackplate or any combination of these parts by performing the following steps;
 - a) With engine fully tilted DOWN, turn steering wheel from hard over to hard over and confirm that no interference occurs.
 - if using a hydraulic jack plate the above must also be performed at all the positions of the jack plate.
 - b) Repeat step 4a) with engines tilted UP.
 - c) Perform step 4a) with each engine in DOWN/UP positions confirming that independent TRIM/TILT can be done without any interference.
5. Confirm that the steering cylinder can be fully stroked in both directions as well as full tilt and trim without stretching, chafing, rubbing and/or kinking of the hydraulic hoses.
6. Confirm that extruded nylon tubing has NOT been substituted for SeaStar Steering Hose.
7. DO NOT use a wire coil type trim switch with a hydraulic steering system as the wire can wind up tight around the steering wheel shaft and prevent further steering.
8. Conduct Oil Level and System Check as outlined on page 40 of this manual.

⚠ WARNING

The safety information provided below is intended to inform you of the dangers that may be present before, during and after use. It is critical that you read and understand ALL the points noted.

Prior to every use

1. Check Fluid level in highest helm pump (see page 37 for proper fluid level setting).
2. Verify immediate steering response when turning steering wheel(s). (Ensure engine turns when steering wheel is turned.)
3. Visually inspect all steering hoses and fittings for wear, kinking and/or leaks.
4. Check for binding, loose, worn or leaking steering components.

DO NOT OPERATE BOAT IF ANY COMPONENT IS NOT IN PROPER WORKING CONDITION.

During use

1. WEAR A COAST GUARD-APPROVED PERSONAL FLOTATION DEVICE (PFD).
2. ATTACH ENGINE SHUT-OFF CORD (LANYARD) TO YOUR PFD.
3. Never allow anyone not familiar with the operation of the steering system operate the boat at any time.
4. Know and adhere to the operator restrictions for your area including;
 - Federal Laws/Regulations,
 - State Laws/Regulations and
 - Municipal Laws/Regulations.

DO NOT OPERATE BOAT IF ANY COMPONENT IS NOT IN PROPER WORKING CONDITION.

After use

1. Rinse off steering system thoroughly using 'fresh, clean water only'.
 - Cleaning fluids containing ammonia, acids or any other corrosive ingredients **MUST NOT** be used for cleaning any part of the hydraulic steering system.

Maintenance

1. Maintain steering system at a minimum of twice per year.
 - See Maintenance, on page 43 of this manual.

Keep our waters clean for all current and future users. Dispose of ALL fluids in accordance with your local regulations.

SAFETY

INFORMATION

⚠ WARNING

The safety information provided below is intended to inform you of the warning information on your products. Contact SeaStar Solutions if labels are missing.

Important Labels

MADE BY:  SEASTAR SOLUTIONS RICHMOND, BC, CANADA

OUTBOARD MOTOR STEERING CYLINDER ISO10592  CE
PART # HC5345-3, 10.3 MPa (1500psi) MAX. seastarsolutions.com

SEASTAR™

⚠ WARNING Failure to adhere to these warnings may result in loss of steering control, leading to possible ejection from vessel causing property damage, personal injury and/or death.

PRIOR TO EVERY USE: ❶ Check fluid level in highest helm (consult Owner's Manual). ❷ Verify immediate steering response when turning steering wheel(s). ❸ Inspect all steering hoses and fittings for wear, kinking and/or leaks. ❹ Check for binding, loose, worn or leaking steering components. **DO NOT OPERATE BOAT IF ANY COMPONENT IS NOT IN PROPER WORKING CONDITION.**

INSTALLATION, USE AND MAINTENANCE: ❶ Interference with any object MUST be corrected prior to use (consult Installation Manual). ❷ Maintain steering system at a minimum of twice per year. ❸ Refer to your Owner's Manual for important safety information. ❹ Ensure steering cylinder is compatible with outboard engine and U.S.C.G. ratings.

929100

MADE BY:  SEASTAR SOLUTIONS RICHMOND, BC, CANADA

OUTBOARD MOTOR STEERING CYLINDER ISO10592  CE
PART # HC5358-3, 10.3 MPa (1500psi) MAX. seastarsolutions.com

SEASTAR™

⚠ WARNING Failure to adhere to these warnings may result in loss of steering control, leading to possible ejection from vessel causing property damage, personal injury and/or death.

PRIOR TO EVERY USE: ❶ Check fluid level in highest helm (consult Owner's Manual). ❷ Verify immediate steering response when turning steering wheel(s). ❸ Inspect all steering hoses and fittings for wear, kinking and/or leaks. ❹ Check for binding, loose, worn or leaking steering components. **DO NOT OPERATE BOAT IF ANY COMPONENT IS NOT IN PROPER WORKING CONDITION.**

INSTALLATION, USE AND MAINTENANCE: ❶ Interference with any object MUST be corrected prior to use (consult Installation Manual). ❷ Maintain steering system at a minimum of twice per year. ❸ Refer to your Owner's Manual for important safety information. ❹ Ensure steering cylinder is compatible with outboard engine and U.S.C.G. ratings.

929107

MADE BY:  SEASTAR SOLUTIONS RICHMOND, BC, CANADA

OUTBOARD MOTOR STEERING CYLINDER ISO10592  CE
PART # HC6345-3, 10.3 MPa (1500psi) MAX. seastarsolutions.com

SEASTAR™

⚠ WARNING Failure to adhere to these warnings may result in loss of steering control, leading to possible ejection from vessel causing property damage, personal injury and/or death. 

PRIOR TO EVERY USE: ❶ Check fluid level in highest helm (consult Owner's Manual). ❷ Verify immediate steering response when turning steering wheel(s). ❸ Inspect all steering hoses and fittings for wear, kinking and/or leaks. ❹ Check for binding, loose, worn or leaking steering components. **DO NOT OPERATE BOAT IF ANY COMPONENT IS NOT IN PROPER WORKING CONDITION.**

INSTALLATION, USE AND MAINTENANCE: ❶ Interference with any object MUST be corrected prior to use (consult Installation Manual). ❷ Maintain steering system at a minimum of twice per year. ❸ Refer to your Owner's Manual for important safety information. ❹ Ensure steering cylinder is compatible with outboard engine and U.S.C.G. ratings.

929300

ENGINE JACK PLATE ⚠ WARNING

Check for cylinder and/or hose fitting interference with transom/jack plate, or loss of steering may occur. Refer to instructions.

Figure 1.

INTRODUCTION

Important Information/ Technical Support Contact

Before proceeding with the installation, read these instructions thoroughly. SeaStar Solutions cannot accept responsibility for installations where instructions have not been followed, where substitute parts have been used, or where modifications have been made to our products.

NOTICE

Due to a small amount of internal hydraulic slip, a “master spoke” or “centered” steering wheel cannot be maintained with a hydraulic steering system. For best results, use an equal distance spoke steering wheel. SeaStar Pro Helm Pumps are not 100% locking and therefore, a small amount of hydraulic drift is normal.

WARNING

DO NOT use a wire coil type trim switch with a hydraulic steering system. Wire coil can wind up tight around the steering wheel shaft and prevent further steering!

Pro Trim offers fingertip trim or jackplate control with a column-mounted switch, enabling you to keep both hands on the steering wheel and concentrate on your driving. Pro Trim PT1000 controls trim or jackplate only. Pro Trim Dual PT2000 controls both functions.

To assist with the installation and maintenance of this steering system, SeaStar Solutions recommends that;

- You read and understand ALL installation manuals before your start the installation process (cylinders, helms, power assist, etc.). Knowing the correct order of installation and location of components will drastically reduce installation time as well as inform you of common installation errors.
- Read and understand ALL Safety Information that is noted in this manual and ALL other Installation Manuals.

If you run into any problems before, during or after the installation of the steering system, please contact Technical Support for assistance.

Technical Support

Web: www.seastarsolutions.com

Email: seastar@seastarsolutions.com

Phone: 604.248.3858

Fax: 604.279.2202

Parts List

Before proceeding, confirm that you have all the necessary components required to complete the installation of the steering system.

- Helm Pump(s)
- Power Assist and Autopilot Pumps (if applicable)
- Steering Hoses
- Steering Cylinder(s)
- Tiebar(s)
- Hardware Kits
- Appropriate Fittings
- Fluid *NOTE: SeaStar recommends the use of SeaStar Steering Fluid ONLY.*
- Steering Wheel(s)

Tools Required

You will need the following tools to complete your installation.

- 7/16", 1/2", 9/16", 5/8" and 3/4" Open End type Wrench/Spanner

Additional tools needed

- 5/16" (8 mm) dia. Drill Bit
- 15/16" Socket for SeaStar helms wheel shaft nut
- 1" Hole Saw for Rear Mount helms
- 3" Hole Saw for Front Mount, Sport and Sport Plus helms
- 4" Hole Saw for Classic Tilt helms

INTRODUCTION

OUTBOARD FRONT MOUNT

NOTICE

Additional tools may be required for the following;

- removal of existing steering components (mechanical steering systems).
- engine removal for installation of support rod.

Cylinder, Outboard Front Mount Type

- 5/8", 3/4", 1/2", 9/16" Wrench/Spanner, Box or Open End type, 2 required.
- 5/32" Allen Key/Wrench

20° Mount Wedge

- Key Hole or Sabre Saw
- 5/16" (8 mm) dia. Drill Bit
- 1/2" Wrench/Spanner, Box or Open End type
- 7/16" Socket and Drive

Front Mount Outboard Installation Recommendations

Outboard recommendations made in this section are based on our experience with typical installations, applications and usage. Ensure you select the system which provides the best comfort versus performance. It is the boat manufacturer and the installer's responsibility to ensure the components selected are sufficiently validated on the boat for safe and acceptable operation. DO NOT use SeaStar Solutions Steering in applications they are not intended for.

| | AGGRESSIVE USE (SEE NOTE 1) | NORMAL USE | |
|--|---|---|--|
| ENGINE | SEASTAR TOURNAMENT SERIES | SEASTAR FRONT MOUNT | HYNAUTIC K-6 |
| SINGLE ENGINE | SINGLE CYLINDER 350 HP Max HC63xx-3 Pro Cylinder (See Notes 2 & 3) or HC6845S | SINGLE CYLINDER 350 HP Max HC53xx-3 Cylinder (See Note 2) | SINGLE CYLINDER 300 HP Max |
| DUAL ENGINE NON COUNTER ROTATING | SINGLE CYLINDER Tournament Cylinders (Contact Technical Support) | SINGLE CYLINDER 450 HP Max 55 MPH Max HC53xx-3 Cylinder HO60xx Tie Bar | SINGLE CYLINDER 400 HP Max 55 MPH Max |
| | DUAL CYLINDER Tournament Cylinders (Contact Technical Support) | DUAL CYLINDER 600 HP Max HC53xx-3 Cylinders HO60xx Tie Bar | DUAL CYLINDER 500 HP Max 55 MPH Max |
| DUAL ENGINE COUNTER ROTATING | SINGLE CYLINDER Tournament Cylinders (Contact Technical Support) | SINGLE CYLINDER 600 HP Max 55 MPH Max HC53xx-3 Cylinder HO60xx Tie Bar | SINGLE CYLINDER 500 HP Max 55 MPH Max |
| | DUAL CYLINDER Tournament Cylinders (Contact Technical Support) | DUAL CYLINDER 600 HP Max 55 MPH Max HC53xx-3 Cylinders HO60xx Tie Bar | DUAL CYLINDER 500 HP Max 55 MPH Max |
| TRIPLE ENGINE ONE WITH COUNTER ROTATING | DUAL CYLINDER Tournament Cylinders (Contact Technical Support) | DUAL CYLINDER 600 HP Max 55 MPH Max HC53xx-3 Cylinders HO60xx Tie Bar <i>*MAX center engine drop <.75"</i> | NOT RECOMMENDED |

1. SeaStar Solutions has specific steering equipment for boats that are driven aggressively, used in severe conditions or with more than 300 HP per engine.

2. ALL ENGINES over 300 HP and all boats that are driven aggressively must use a high strength tiller bolt, kit part # HA5822. All front mount cylinders built after June 15, 2007 will have this high strength bolt included in the box. High strength tiller bolts can be identified by the marking "SEASTAR ARP" on the head of the bolt.

3. HC63xx PRO Cylinders are designed for all those critical high speed, single outboard engine boats, such as Bass, Flats combo Race/Ski and other performance orientated boats capable of speeds in excess of 65 mph. For optimal performance, the use of SeaStar PRO helms and PRO Hoses are recommended.

SYSTEM OVERVIEW

Before attempting installation, ensure that the splashwell of your boat has the following minimum dimensions.

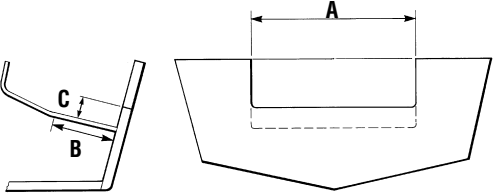
Minimum Splashwell Dimensions

| # OF ENGINES | A | B | C | MIN. ENGINE CENTER DISTANCE |
|--------------|---------------|-------------|-------------|-----------------------------|
| 1 | 22" (559 mm) | 6" (152 mm) | 5" (127 mm) | N/A |
| 2 | 44" (1118 mm) | 6" (152 mm) | 5" (127 mm) | 26" (660 mm) |

NOTE:

a) Dimensional restrictions also apply to external motor mount brackets.

b) Maximum engine center distance for twin engine applications is 36" (914 mm) using the standard tie bar. Dimension 'A' would have to be increased proportional to the tie bar length.



Front Mount Cylinder

Part # HC5345-3, HC5347-3, HC5348-3, HC5358-3, HC5375-3, HC5385-3, HC5445-3, HC6345-3, HC6358-3.

Splashwells of less than 30" in overall width may require engine removal in order to install the support rod (Part # HP6016).

NOTICE

Engine may need to be removed for proper cylinder maintenance.

Dimensional Specifications

Dimensions shown in figure 2 are the same for all part numbers. Pivot plate dimensions vary between part numbers.

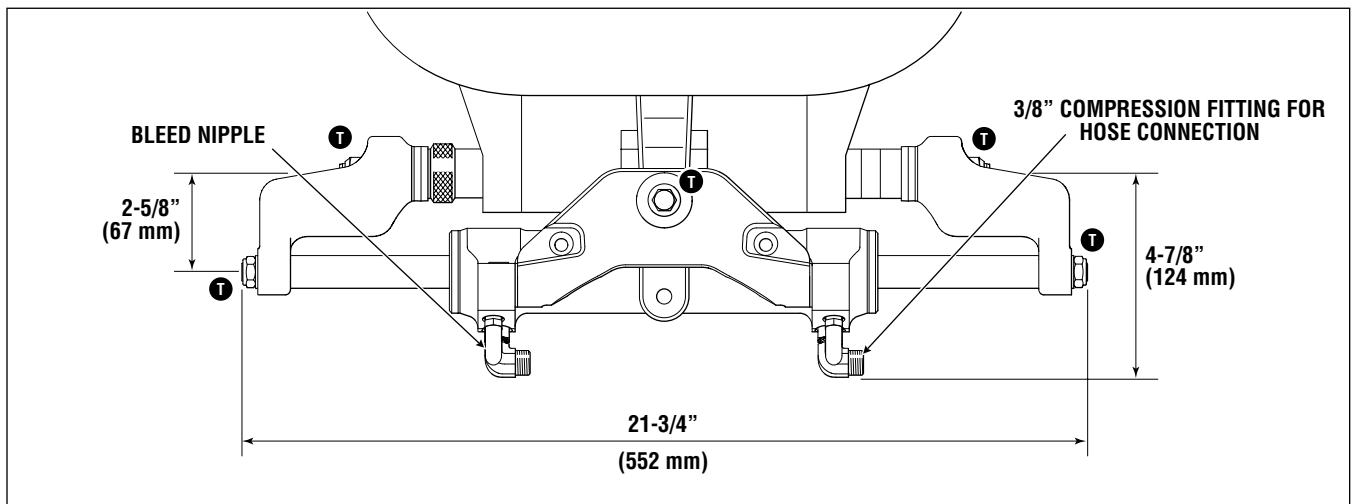


Figure 2.

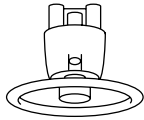
T Ensure correct Torque at these points, see page 47 for Torque specifications.

CAUTION

-3 steering cylinders are fitted with ORB hose fittings. DO NOT use NPT fittings. Irreparable damage to cylinder WILL occur.

System Installation Overview

HELM



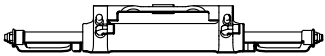
STEP 1 System Installation

- Install SeaStar helm pump onto dash using the installation instructions provided with your helm pump. To ease installation it is good practice to install hose fittings into helm pump prior to installing helm onto dash.

! WARNING

Ensure that you read and understand **ALL** cautions, notices and warnings that are noted in your helm pump installation instructions.

CYLINDER

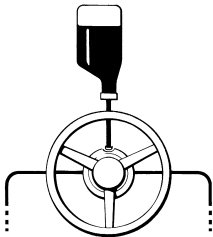


- Install SeaStar Steering Cylinder as outlined on page 9 of this manual.
- Install Ground Strap as outlined on page 11 of this manual.
- Install steering hoses as outlined on page 7 of this manual.

! CAUTION

-3 steering cylinders are fitted with ORB hose fittings. DO NOT use NPT fittings. Irreparable damage to cylinder WILL occur.

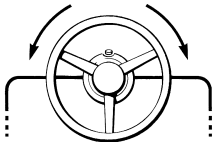
STEP 2 Filling and Purging Procedure



- Refer to fill and purge procedures as outlined on page 37 of this manual.

NOTE: *Power Assist and Catamaran users please use bleeding details included with your Power Assist or, Liquid Tiebar Installation Instructions.*

STEP 3 Oil Level and System Check

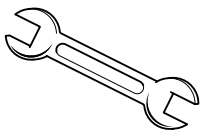


- Refer to page 42 of this manual for setting oil level in helm pump and performing the “system pressure test” to ensure steering system is ready for use.

! WARNING

Oil level and System check is critical to the safe operation of your boat, failure to follow this important step may lead to loss of steering control resulting in property damage, personal injury and/or death.

STEP 4 Routine Maintenance



- Refer to page 43 of this manual to become familiar with the routine maintenance that **MUST** be carried out in the intervals noted.

HYDRAULIC HOSE INSTALLATION

Steering hoses and how they are installed are critical to the safe operation of your steering system. SeaStar Solutions recommends the use of SeaStar Steering hoses ONLY. Use of any other hose may drastically reduce system performance and safety.

WARNING

DO NOT cut SeaStar steering hoses, cutting these hoses will render them useless.

Before continuing on with the installation of your steering hoses, please ensure that you read and understand the important points shown below;

- DO NOT install any pipe sealant onto the “hose” side of a fitting or on either side of an ORB fitting.
- DO NOT remove protective end covers until the hoses have been routed and are ready to be connected to the helm pump, hose fitting or steering cylinder(s).
- Before, during and after installation the hoses MUST be protected from chaffing, rubbing, and contact or interference with assembly screws or sharp edges of any type.
- DO NOT install hoses in an area where they will be exposed to high heat, such as engine manifolds, engine compartments or highly corrosive areas such as battery fumes or electrical connections.
- If possible, route hoses through a protective PVC cover.
- Secure hoses in minimum 2' increments.
- DO NOT bend hoses tighter than a 3-1/2" (89 mm) radius.
- Provide sufficient hose lengths to allow for cylinder movement throughout the turning arc and UP/DOWN trim/tilt settings of the engine(s).
- DO NOT allow hoses to hang free in an area where they could become a safety hazard.
- DO NOT use extruded nylon tubing for plumbing an outboard system. Extruded nylon tubing can only be used for return/compensating lines between power assist and/or autopilot pumps and the helm pump.
- Where possible, route hoses in an area where they can be easily inspected for wear on a regular basis.

CAUTION

-3 steering cylinders are fitted with ORB hose fittings. DO NOT use NPT fittings. Irreparable damage to cylinder WILL occur.

WARNING

Continuous kinking, rubbing, chafing or twisting of a steering hose may eventually weaken the hose(s) to a point where it could rupture. Rupture of a hose will lead to loss of steering control.

STEP 1 Set Up

- See figure 3 on the next page to locate your plumbing diagram.
- Mark each end of the hose to ensure proper connection.

NOTICE

Hoses are crossed from the helm pump(s) to the steering cylinder(s). Port side helm connection will be installed onto the starboard fitting on the cylinder, and the Starboard side helm connection will be installed onto the port side fitting on the cylinder.

STEP 2 Routing

Throughout the hose installation, ensure the protective caps remain installed onto the end of the hoses. Doing so will prevent contamination from entering the system.

- Route steering hoses so that the hose bend restrictor will be located at the steering cylinder(s).
- Route steering hoses so that they have a gradual rise from the steering cylinder(s) to the helm pump.

HYDRAULIC HOSE

INSTALLATION

- If routing hoses through a blind area, ensure that the area is free and clear of any sharp edge, screw or any other object that may damage the hose.
- Secure hoses every 2'.

⚠ WARNING

Substituting brass fittings into the steering cylinder will result in galvanic corrosion and irreparable damage to the cylinder as well as affect system integrity.

1. Minimum bend radius 3-1/2" (89 mm).
2. If orientation is required, see page 13 for ORB Hose fitting installation/realignment.
3. Hoses should be secured to the control cable harness if they enter the splashwell through the boot.

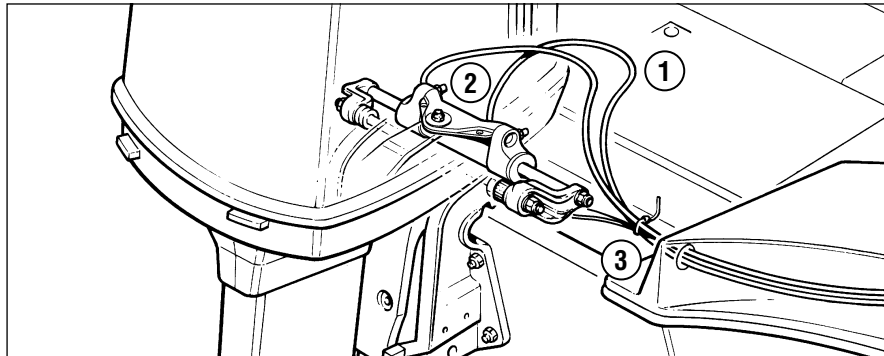


Figure 3.

STEP 3 Hose to fitting installation

- Remove protective covers.
- Install hose end fitting onto intended fitting, tighten hand tight.
- While holding the receiving fitting with a wrench, tighten hose fitting to 15ft-lb.

⚠ WARNING

When installed, confirm that the hoses are not being pulled or kinked over by pushing the engine(s) back and fourth. Hoses must NOT be pulled on at any time.

NOTICE

Power Assist and Catamaran Systems must refer to the installation instructions included with the power assist and/or liquid tiebar valve.

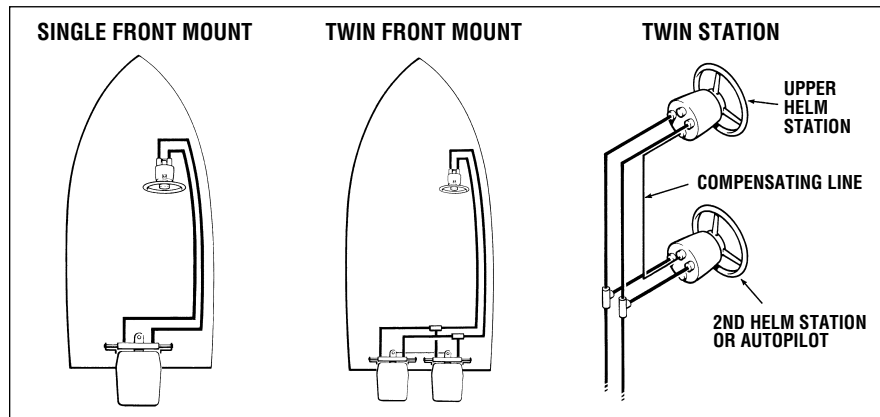


Figure 4.

Hose Inspection

DO NOT operate the vessel if ANY of the following are observed:

- fitting slippage on hose
- damaged, cracked, cut or abraded cover (or any reinforcement exposed)
- hard, stiff, heat cracked, or charred hoses
- cracked, damaged, or badly corroded fittings
- leaks at fitting, or in hose
- kinked, crushed, flattened or twisted hose
- blistered, soft, degraded, or loose cover.

INSTALLATION INSTRUCTIONS

Front Mount Cylinders

HC5345-3, HC5347-3, HC5348-3, HC5358-3, HC5375-3, HC5385-3, HC5445-3 and HC6345-3.

NOTICE

Installation of PRO and Catamaran cylinders are similar to that of the front mount cylinders. Notes will be made when differences occur. For Tournament Cylinders please refer to Installation Book 48 included with your Tournament steering cylinder.

On the following pages of this instruction booklet you will find the assembly drawing for your specific application.

NOTICE

Before beginning installation make sure that all mounting hardware is included and that the tiller arm and tilt tube bolt holes are clean & free from rust or burrs.

⚠ CAUTION

Engines with rigid engine mounts have been shown to cause premature wear to the pivot cylinder—therefore, please perform a complete inspection of your steering system as outlined in the Maintenance Section at the back of this manual.

Single Engines

NOTICE

Please refer to the table below if using any PRO or Catamaran type cylinders. Installation will be the same as that shown, any changes will be noted when required.

| Cylinder Part # | Install as per Cylinder Part # |
|-----------------|--------------------------------|
| HC6345-3 | HC5345-3 |
| HC5375-3 | HC5345-3 |
| HC5445-3 | HC5345-3 |
| HC6358-3 | HC5358-3 |

⚠ WARNING

Refer to page 47 for the correct torque specifications for your installation. Failure to correctly install your steering cylinder and torque all screws may result in steering failure causing property damage and/or personal injury.

⚠ CAUTION

STEP 1: Using an approved quality marine grease (such as Johnson/Evinrude triple guard, Quicksilver anti-corrosion, Yamaha marine grease or equivalent), liberally lubricate the tilt tube and support rod (Item 9) and slide the support rod through the engine tilt tube.

STEP 2: Lightly grease the tiller bolt (Item 2) & partially screw into appropriate hole in the tiller arm to assure a proper fit. Remove and go to Step 3.

⚠ WARNING If the engine manufacturer has installed caps, plugs and/or screws into the tiller arm, these caps, plugs and/or screws **MUST** be removed prior to continuing on with installation.

STEP 3: Select appropriate insert diagram from page 10 to page 22 to determine proper orientation of the cylinder assembly, the tiller bolt and self locking nut (Items 13, 2 and 1). Grease tiller bolt as indicated and fully thread tiller bolt (Item 2) into the steering arm. While holding the head of the tiller bolt with a wrench, tighten and torque tiller nut (Item 1) as specified on page 47.

⚠ WARNING It is required that the tiller bolt head is held in place with a wrench while tightening the tiller nut to proper torque specification. Failure to do so may result in loss of steering control causing property damage, personal injury and/or death.

STEP 4: a) Screw the adjusting nut (item 10) all the way onto the tilt tube.
b) Place the stainless washers (Item 11) and the plastic spacers (Items 7 & 8) on the support rod.

⚠ CAUTION Refer to your specific application figure for proper orientation of spacers on both sides of the engine tilt tube.

STEP 5: Attach and secure support brackets (Item 12) to the support rod and the cylinder shaft. Tighten using the nuts, bolts and washers (Items 3, 4, 5 & 6) as illustrated in application figures.

STEP 6: Eliminate the free play in the support rod by turning the adjusting nut (Item 10) counter clockwise until snug. Never use a wrench on the adjusting nut. Always hand tighten. Lock the adjusting nut in place by tightening the Hexagon set screw. **DO NOT TIGHTEN UNTIL ALL FASTENERS ARE TIGHTENED TO THE CORRECT TORQUE.**

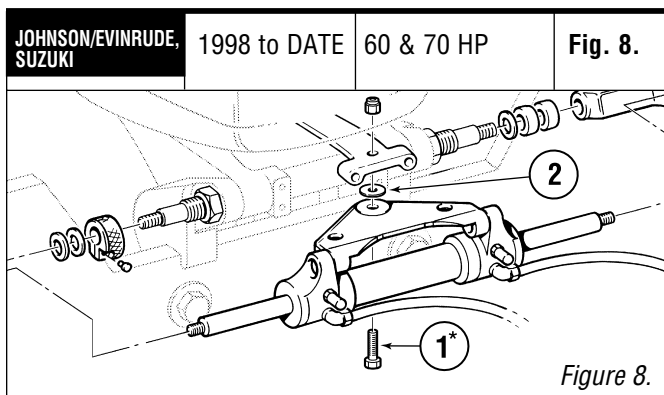
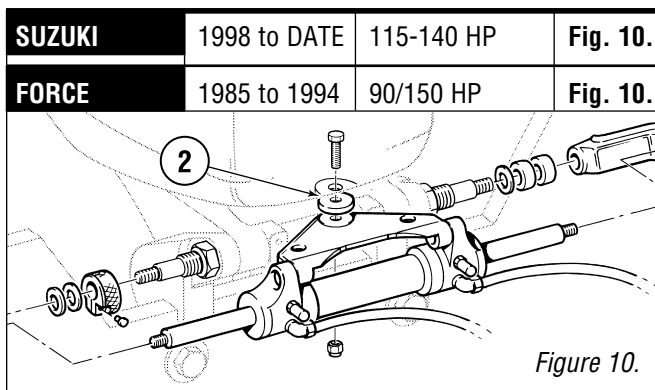
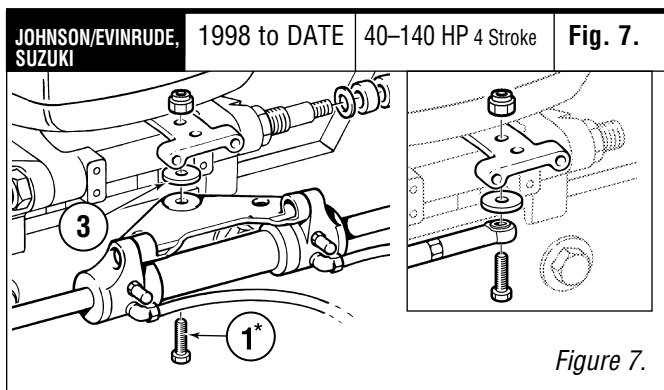
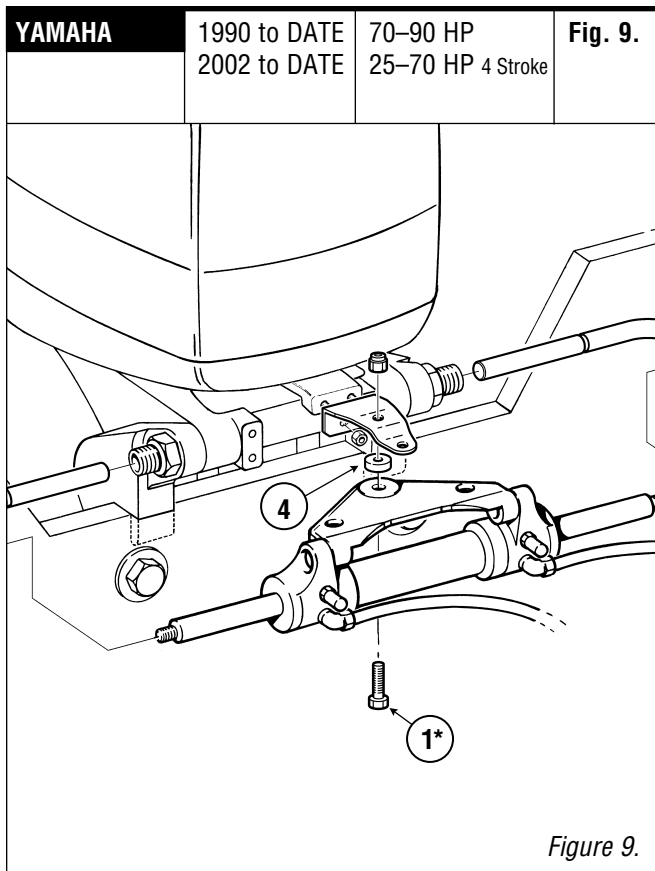
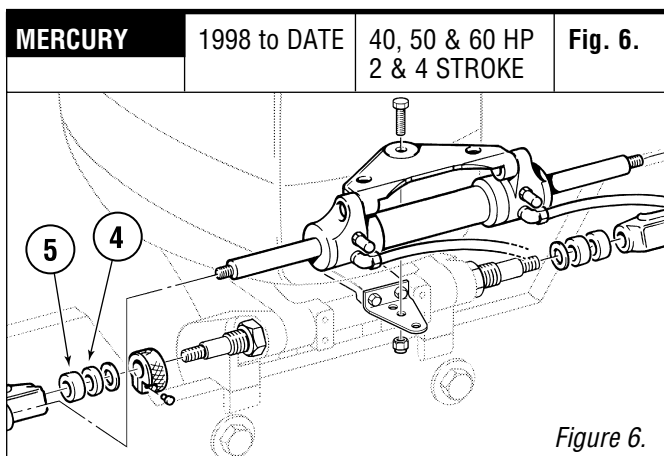
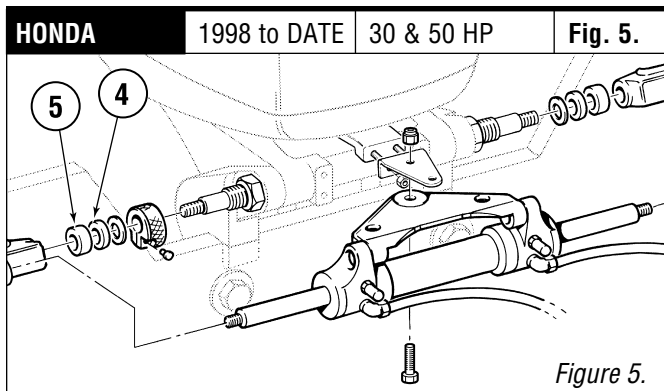
If installing a jack plate make sure that there isn't any interference between the jack plate and your steering cylinder. If there is interference, it may occur during full tilt and you should install lift restrictors (Tilt Stop Switch). Some engine manufacturers supply these as standard equipment.

INSTALLATION INSTRUCTIONS

SPACER KIT

H05090 Spacer Kit

For use with ALL SeaStar front mount cylinders.



| ITEM | QTY | DESCRIPTION |
|------|-----|--|
| *1 | 1 | HHCS 3/8" NF x 2-1/4" SS (Tiller Bolt) |
| 2 | 1 | SS Fender Washer |
| 3 | 1 | Aluminum Spacer 1/2" |
| 4 | 1 | 3/16" Spacer, Yamaha |
| 5 | 2 | Thick Nylon Spacer 3/8" |

PLEASE NOTE: Items are only available in Kit# H05090, parts are not sold separately.

* Refer to page 47 for correct torque specifications.

Ground Strap Installation

INSTALLATION INSTRUCTIONS

GROUND STRAP

SeaStar Solutions strongly recommends use of a ground strap on any outboard hydraulic steering cylinder with an exposed shaft (such as SeaStar front mount steering cylinders). This ground strap will provide added protection against corrosion caused by stray current.

Installation Details

- Install ground strap to cylinder as per figure 11.
- Reinstall cylinder and support rod nuts, torque to the following
 - i) cylinder shaft nut = 33 ft.lb.
 - ii) support rod shaft nut = 45 ft.lb.
- Route ground strap **UNDER** the tilt tube and attach loose end of strap to the starboard side lower midsection steering bracket bolts using the correct fasteners.
- Ensure there is enough slack in the strap to allow the engine to pivot freely in ALL trim/tilt positions and throughout the entire steering range of the engine.

⚠ CAUTION

Ensure ground strap is routed 'under' the tilt tube. Installation of the strap 'above' the tilt tube may lead to a hang up, or restriction.

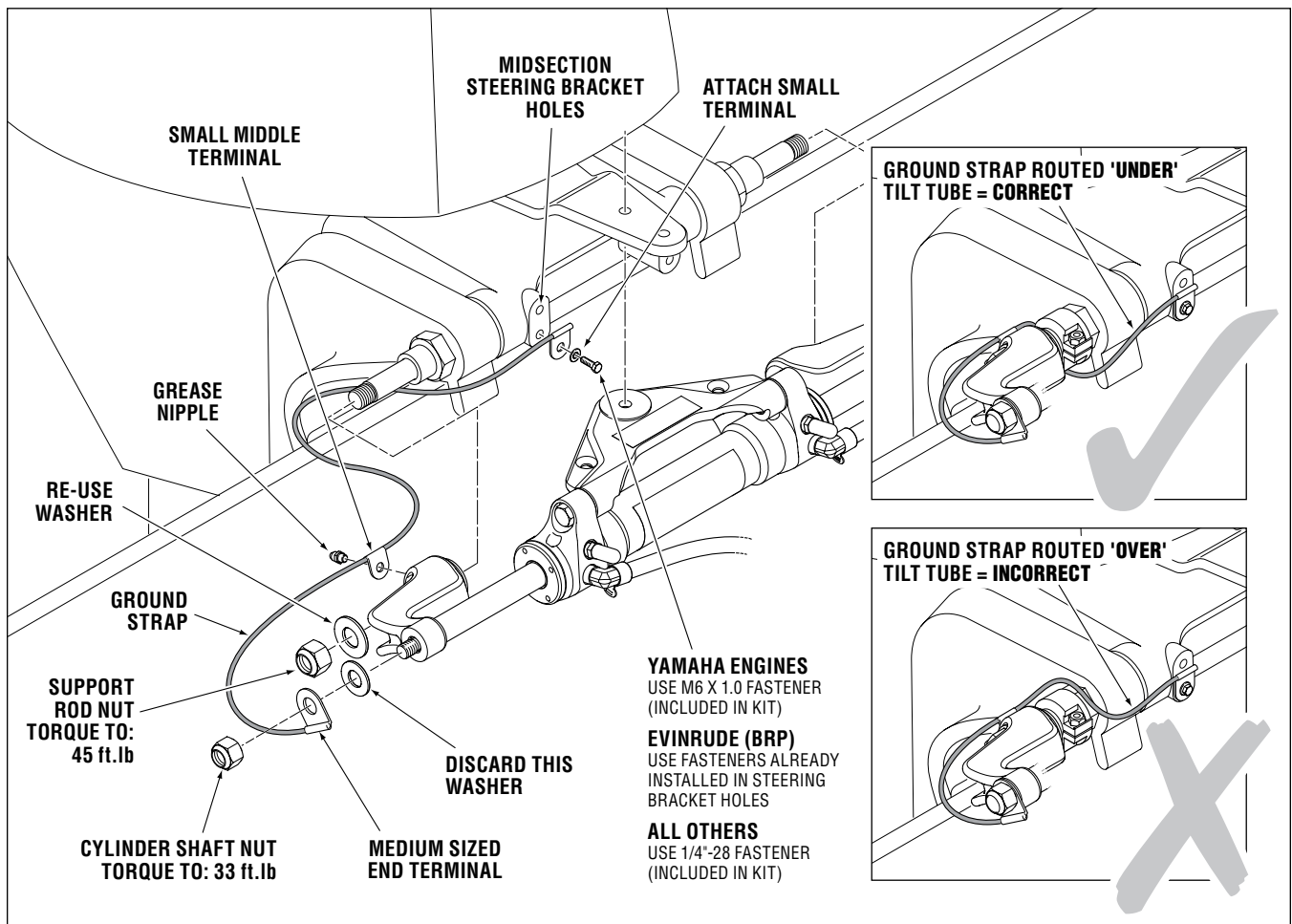


Figure 11. Ground Strap Installation.

INSTALLATION INSTRUCTIONS

TIE BAR

Tie Bar Installation

NOTICE

For Tournament Type Systems refer to Installation Book 48 included with your steering cylinder.

WARNING

The steering equipment shown is for use in boats that are used in a 'normal' fashion. For ALL aggressive use, or, any boat that is rigged with engines that exceed 300HP per engine, SeaStar recommends the use of the Tournament Type Steering Cylinders and Tie bars. If you have any questions in regards to your installation, please contact SeaStar Solutions. See Recommendation Chart on page 4 of this manual,

WARNING

Refer to page 7 of your installation instructions for important warnings and information regarding the correct installation of your SeaStar hydraulic hose. Cut the threaded end of the tie bar and tube to length using the following formulas below:

CAUTION

The CD dimension must include allowance for engine toe in/out as required, or recommended by the engine manufacturer. Failing to observe toe in/out recommendations may result in harder than normal steering effort.

WARNING

At the time of installation and any other time thereafter, the threaded rod must always fully cover inspection hole '1' of the rod end, but never inspection hole '2' Failing to observe this warning may result in one engine becoming separated from the steering system resulting in property damage and/or personal injury. The SeaStar tie bar is designed for use on SeaStar cylinders only. It may not be compatible with other cylinders.

Note: Maximum standard engine center = 3ft. (0.9m)

H06001

Note: Engine or tiller centers=CD

Y=CD - (subtract) 18¼" (375mm)

X=CD - (subtract) 14¾" (464mm)

Note: H06001 Minimum Engine centers = 26" (660mm)

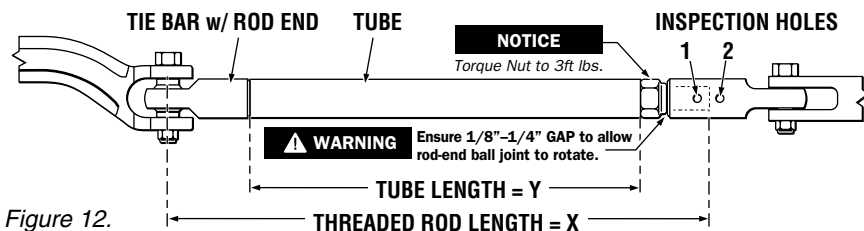


Figure 12.

H06002

Y=CD - (subtract) 22½" (572mm)

X=CD - (subtract) 19¼" (489mm)

Note: OMC 200-225HP (1982-1992) & OMC FICHT 90-225HP (1982-1992)
H06002 Minimum Engine centers = 29" (737mm)

All other makes and models

H06002 Minimum Engine centers = 27" (685mm)

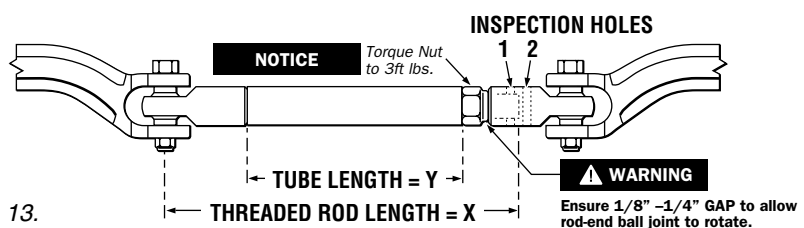


Figure 13.

H06003

Y=CD - (subtract) 13³/₈" (340mm)
 X=CD - (subtract) 10¹/₈" (257mm)

Note: H06003 Minimum Engine centers = 26" (660mm)

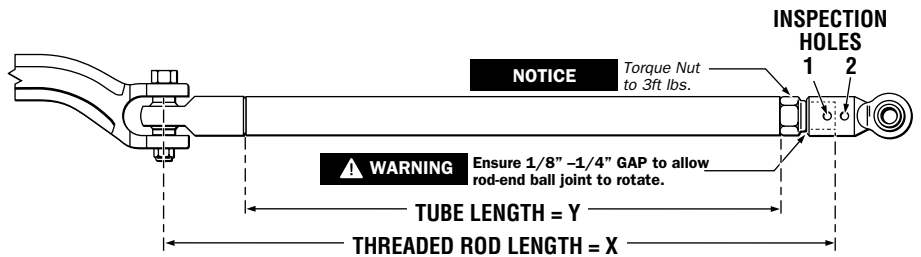


Figure 14.

⚠ CAUTION

Ensure that the steering cylinders are able to be fully stroked out. If the cylinders are not able to fully stroke out, the tiebar may have to be removed for bleeding.

Positional O-Ring Horizontal and Vertical Tee Fitting Installation/ Realignment

⚠ CAUTION

DO NOT attempt to install NPT pipe fittings into the cylinder hose fitting ports. Doing so will lead to irreparable damage to the cylinder. **ONLY** use ORB hose fittings provided by SeaStar Solutions.

Cylinder Fitting Installation (If required.)

⚠ WARNING

Failure to properly tighten the locknut (item 1) may lead to loss of steering control. Loss of steering control may result in unpredictable boat behavior, collision with an obstacle and/or ejection from vessel, leading to property damage, personal injury and/or death.

⚠ WARNING

SeaStar Solutions recommends that the hose and hose fittings are checked on a regular basis to ensure the safe operation of the steering system.

1. Back off lock nut (item 1, figure 15), counter-clockwise, until it stops.
2. Thread fitting into cylinder body until fitting washer (item 2, figure 15) contacts the face of the cylinder port. Tighten hand tight, **DO NOT TORQUE FITTING AT THIS TIME.**
3. Position fitting to desired orientation by turning it counter-clockwise to a **MAXIMUM** of 1 full turn.
4. While holding fitting with a wrench, tighten the locknut (item 1, figure 15) and torque to 40–43 ft-lb.
5. Purge system as per your cylinder instruction manual.

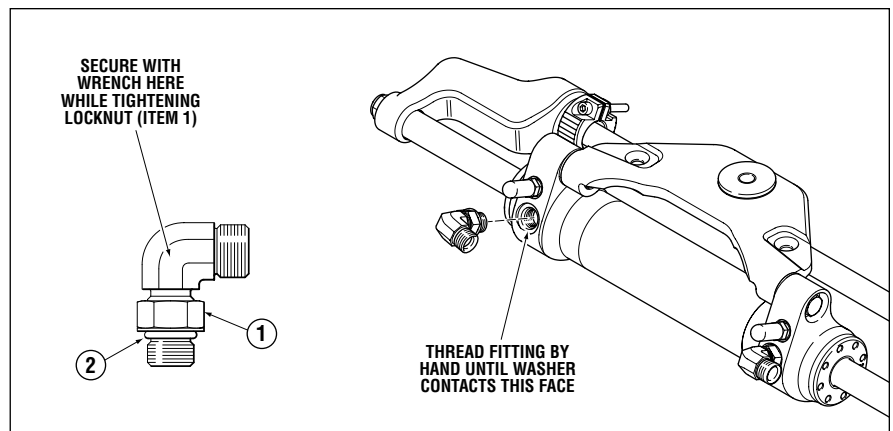


Figure 15.

SeaStar Pro Cylinder

Part # HC6345-3 and HC6358-3

Installation Instructions for Keyed support rod to Keyed Bracket

1. Refer to steps 1–4 as shown on page 9 of this installation manual.
2. Place the supplied square 3/16" woodruff keys in both sides of the support rod.
3. Install support brackets onto the support rod ensuring the woodruff keys are in place.
4. Continue with step 6 on page 9 of this manual.

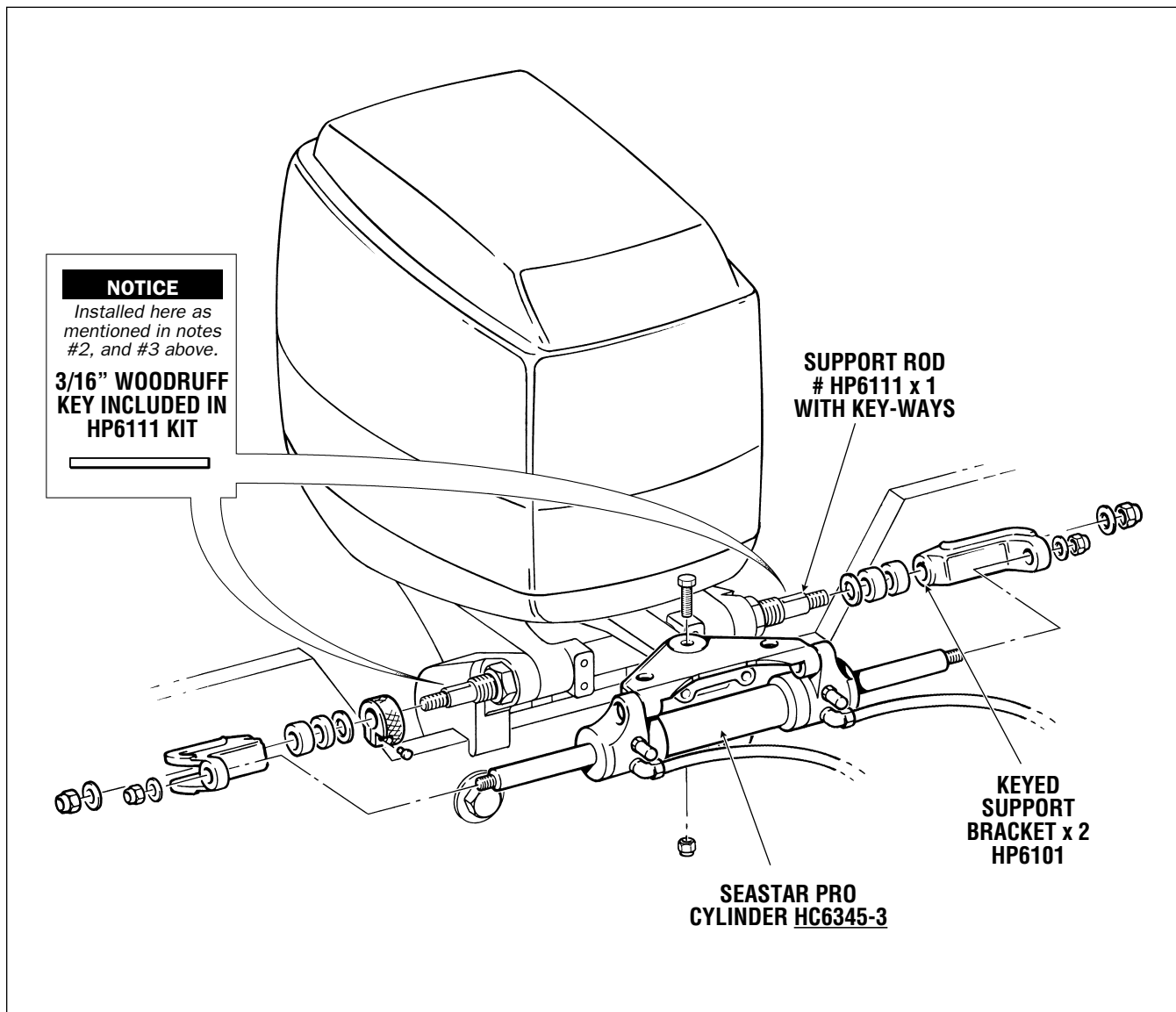


Figure 16. (HC6345 Cylinder Shown.)

Single Engine Applications

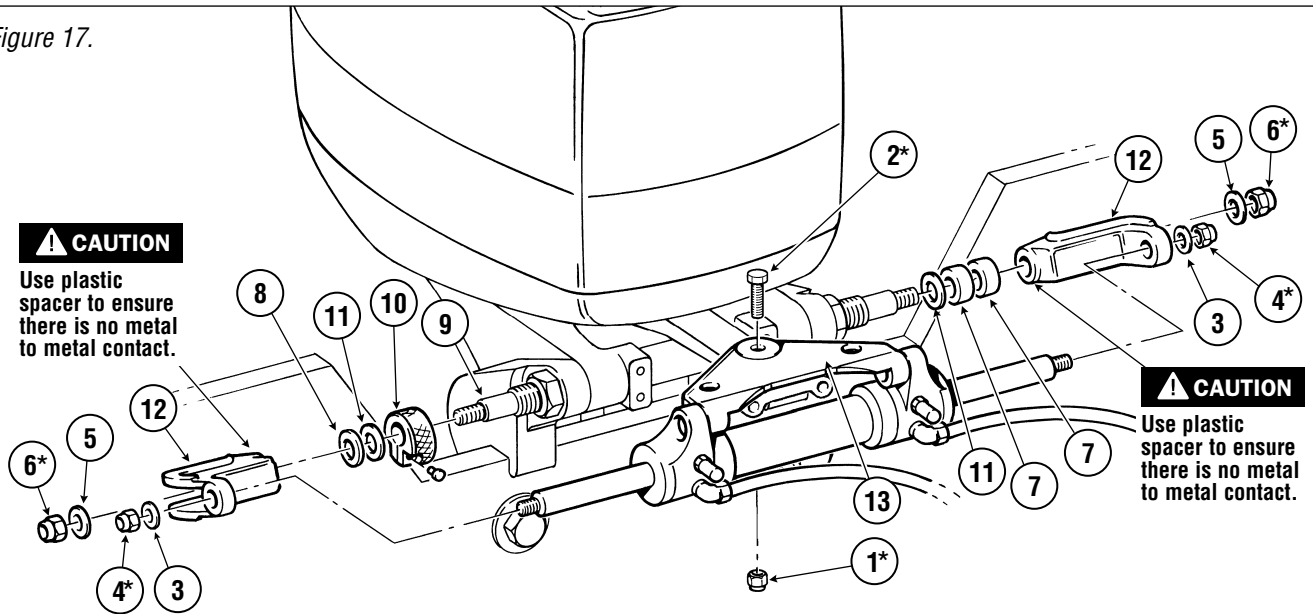
INSTALLATION INSTRUCTIONS

SINGLE ENGINE

▲ WARNING Refer to page 47 for correct torque specifications of all installation hardware.

| ENGINE MANUFACTURER | YEAR | MODEL | CYLINDER | NOTE |
|---------------------|--------------|------------|-----------------|--|
| FORCE | 1985 TO 1995 | 90–150 HP | HC5345-3 | (See fig. 17a) |
| HONDA | 1992 TO DATE | 30–50 HP | HC5345-3 | Requires Spacer Kit HO5090 (See fig. 17a) |
| | 1996 TO DATE | 75–90 HP | HC5345-3 | (See fig. 17a) |
| | 1998 TO 2009 | 115–130 HP | HC5347-3 | Ref. page 22 for Installation Instructions |
| | 2001 TO DATE | BF200-250 | HC5445-3 | |
| | 2003 TO DATE | BF135-150 | HC5345-3 | |
| | 2010 TO DATE | 115 HP | HC5345-3 | (See fig. 17b) |

Figure 17.



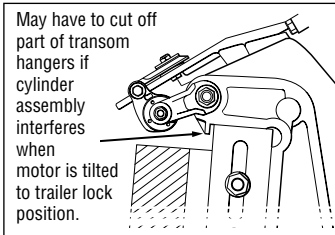
▲ CAUTION

Use plastic spacer to ensure there is no metal to metal contact.

▲ CAUTION

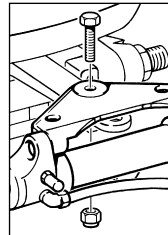
Use plastic spacer to ensure there is no metal to metal contact.

Figure 17a



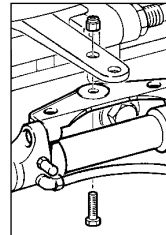
Honda 75/90 to 1998

Figure 17b



Honda 150–250HP
4 STROKE

Figure 17c



Force 150HP
2007 – Date

▲ WARNING

Fully tilting the engine may cause the steering cylinder to interfere with the transom and/or splashwell. Possible damage to the steering system can result. Ensure that the cylinder is free from interference at all times.

* Refer to page 47 for correct torque specifications.

| ITEM | QTY | DESCRIPTION |
|------|-----|------------------------------------|
| *1 | 1 | Nut, 3/8" NF Nylok® SS |
| *2 | 1 | HHCS 3/8 UNJF x 1.35 HSS |
| 3 | 2 | Washer Flat, 7/16" SS |
| *4 | 2 | 7/16" NF Nylok® SS |
| 5 | 2 | Washer, Flat 1/2" SS |
| *6 | 2 | Nut 1/2" NF Nylok® Ni plated brass |
| 7 | 2 | Spacer, Thick, Plastic |
| 8 | 1 | Spacer, Thin, Plastic |

| ITEM | QTY | DESCRIPTION |
|------|-----|---|
| 9 | 1 | Support Rod |
| 10 | 1 | Adjusting Nut & Screw SS, Teflon Coated |
| 11 | 2 | Washer, Flat 5/8" SS |
| 12 | 2 | Support Brackets |
| 13 | 1 | Pivot Mount Cylinder |
| 14 | 1 | Spacer, Medium (Not Used) |
| 15 | 1 | HHCS 3/8" NF x 1-3/8" SS |

INSTALLATION INSTRUCTIONS

SINGLE ENGINE

⚠ WARNING Refer to page 47 for correct torque specifications of all installation hardware.

| ENGINE MANUFACTURER | YEAR | MODEL | CYLINDER | NOTE |
|------------------------|------------------------------|--|------------------------------------|---|
| MERCURY/MARINER | 1984 TO 1989 | 75-250 HP | HC5345-3 | (See fig. 18a) |
| | 1990 TO DATE | 75-250 HP | HC5345-3 | |
| | 1995 TO 1997 | 40, 50 & 60 HP | HC5345-3 | Requires Spacer Kit H05090 |
| | 1998 TO DATE | 40, 50 & 60 HP | HC5345-3 | Requires Spacer Kit H05090 (See fig. 18b) |
| | 2002 TO DATE | 115XS-300XS | HC6345-3 | |
| | 2002 TO DATE 2004 TO DATE | 90-225 HP Optimax 150-200 HP Verado | HC5345-3 HC5345-3 | (See fig. 18c) (See fig. 18d) |
| NISSAN | 1990 TO DATE | 120-140 HP | HC5345-3 | |
| TOHATSU | 1990 TO DATE | 120-140 HP | HC5345-3 | |

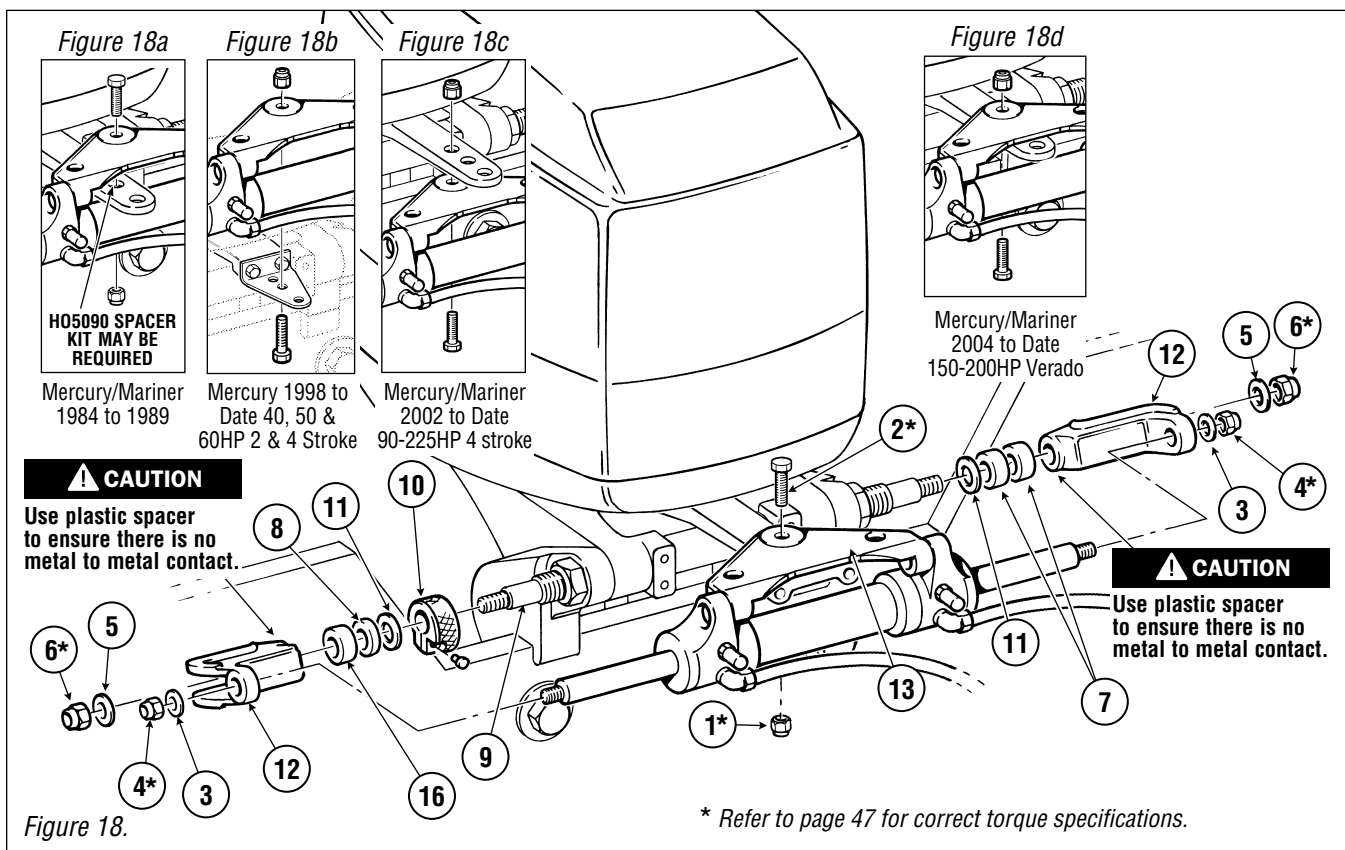


Figure 18.

* Refer to page 47 for correct torque specifications.

| ITEM | QTY | DESCRIPTION |
|------|-----|------------------------------------|
| *1 | 1 | Nut, 3/8" NF Nylok® SS |
| *2 | 1 | HHCS 3/8UNJFX1.35 HSS |
| 3 | 2 | Washer Flat, 7/16" SS |
| *4 | 2 | 7/16" NF Nylok® SS |
| 5 | 2 | Washer, Flat 1/2" SS |
| *6 | 12 | Nut 1/2" NF Nylok® Ni plated brass |
| 7 | 2 | Spacer, Thick, Plastic |
| 8 | 1 | Spacer, Thin, Plastic |
| 9 | 1 | Support Rod |

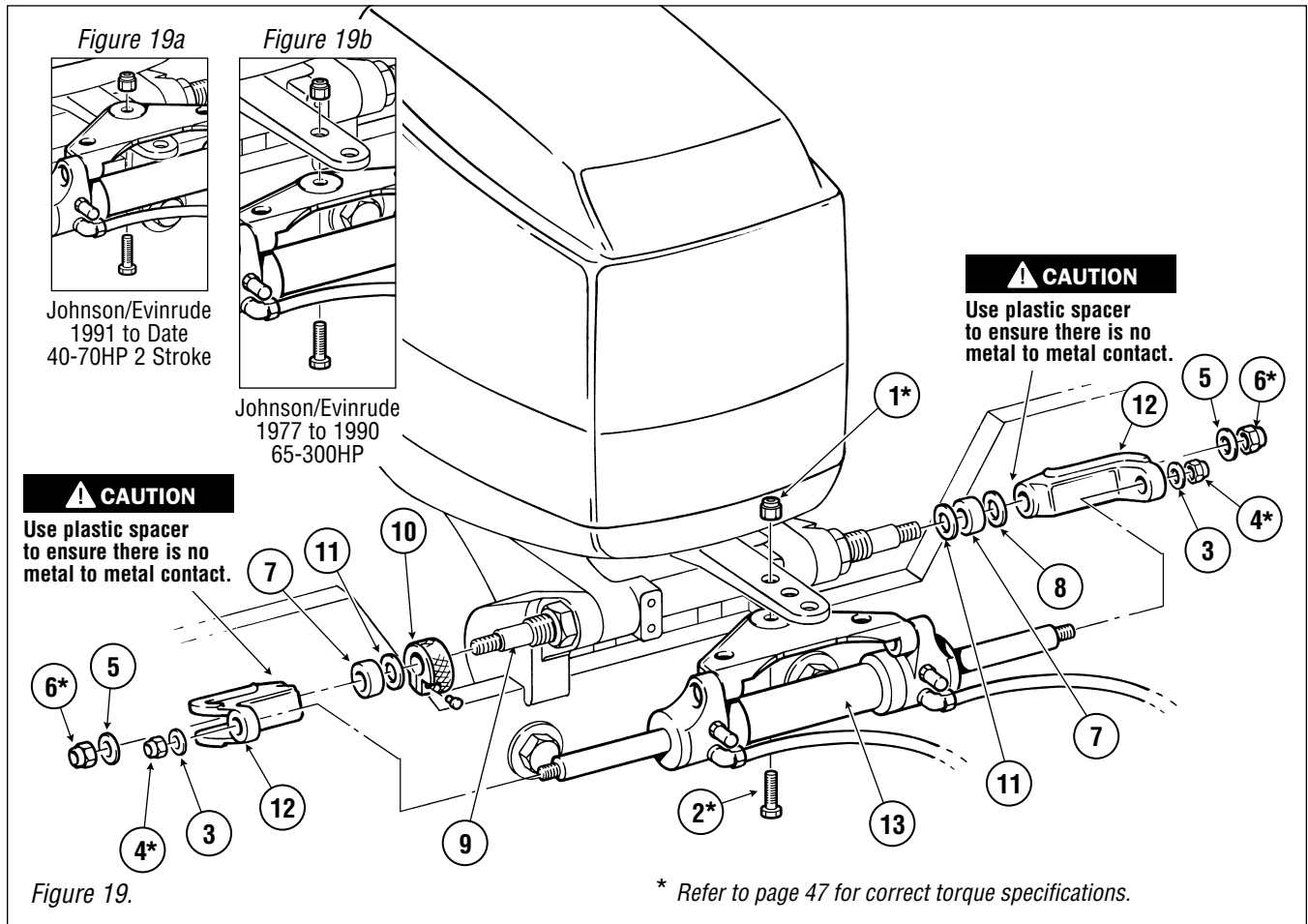
| ITEM | QTY | DESCRIPTION |
|------|-----|---|
| 10 | 1 | Adjusting Nut & Screw SS, Teflon Coated |
| 11 | 2 | Washer, Flat 5/8" SS |
| 12 | 2 | Support Brackets |
| 13 | 1 | Pivot Mount Cylinder |
| 14 | 1 | Spacer, Medium (Not Used) |
| 15 | 1 | HHCS, 3/8" NF x 1-3/8" SS |
| *16 | n/a | Refer to page 10 for specific spacer installation instructions. |

INSTALLATION INSTRUCTIONS

SINGLE ENGINE

WARNING Refer to page 47 for correct torque specifications of all installation hardware.

| ENGINE MANUFACTURER | YEAR | MODEL | CYLINDER | NOTE |
|-------------------------|--------------|--|------------------------------------|--|
| JOHNSON/EVINRUDE | 1977 TO 1990 | 65–300 HP | HC5348-3 | Refer to figure 19b. |
| | 1977 TO 1988 | 250–300 HP, V8 | HC5342 | Refer to SeaStar Book 1 |
| | 1991 TO 2006 | 40–250 HP | HC5345-3 | See figure 19a. |
| | 1997 TO 2006 | 75–300 HP FIGHT | HC5345-3 | |
| | 1998 TO DATE | 40–140 HP 4 Stroke | HC5358-3 | Refer to figure 23d on page 21 for Installation Instructions. Requires Spacer Kit HO5090 |
| | 2007 TO DATE | 3.3L V6 200–250 HP 3.4L V6 250H.O.–300 HP | HC5345-3 HC5345-3 | |



| ITEM | QTY | DESCRIPTION |
|------|-----|------------------------------------|
| *1 | 1 | Nut, 3/8" NF Nylok® SS |
| *2 | 1 | HHCS 3/8UNJFX1.35 HSS |
| 3 | 2 | Washer Flat, 7/16" SS |
| *4 | 2 | 7/16" NF Nylok® SS |
| 5 | 2 | Washer, Flat 1/2" SS |
| *6 | 2 | Nut 1/2" NF Nylok® Ni plated brass |
| 7 | 2 | Spacer, Thick, Plastic |
| 8 | 1 | Spacer, Thin, Plastic |
| 9 | 1 | Support Rod |

| ITEM | QTY | DESCRIPTION |
|------|-----|---|
| 10 | 1 | Adjusting Nut & Screw SS, Teflon Coated |
| 11 | 2 | Washer, Flat 5/8" SS |
| 12 | 2 | Support Brackets |
| 13 | 1 | Pivot Mount Cylinder |
| 14 | 1 | Spacer, Medium (Not Used) |
| 15 | 1 | HHCS, 3/8" NF x 1-3/8" SS |

INSTALLATION INSTRUCTIONS

SINGLE ENGINE

⚠ WARNING Refer to page 47 for correct torque specifications of all installation hardware.

| ENGINE MANUFACTURER | YEAR | MODEL | CYLINDER | NOTE |
|---------------------|--------------|-------------------|----------|--|
| YAMAHA | 1998 TO 2007 | 40–90 HP 2 Stroke | HC5345-3 | Engine clamp brackets must be modified (cut or ground) and the engine through bolted onto transom or interference will occur restricting engine trim and tilt. Requires spacer kit H05090. (See fig. 20a & 20c). |
| | 2002 TO DATE | 25–70 HP 4 Stroke | HC5348-3 | See fig. 20b. Requires spacer kit H05090. |

Figure 20a

Yamaha 1998 to Date 40 – 90 HP 2-Stroke

Figure 20b

Yamaha 2002 to Date 25–70 HP 4-Stroke

Figure 20c

Yamaha 1998 to Date 40–50HP

⚠ WARNING

‡ For Yamaha 1996 to 1998 models, Tilt Tube may be longer than ABYC specified 12" by 3/16" to 1/4". If Tilt Tube is 12" use two of item 7. If Tilt Tube is greater than 12", use one item 7 and one item 14.

NOTICE

Steering clip mounting studs are to be removed and replaced with M-10 x 1.25 x 30 'BOLTS'.

⚠ CAUTION

Use plastic spacer to ensure there is no metal to metal contact.

⚠ CAUTION

Use plastic spacer to ensure there is no metal to metal contact.

⚠ WARNING

Engine clamp brackets must be modified (cut or ground) and the engine through bolted onto transom or interference will occur restricting engine trim & tilt.

* Refer to page 47 for correct torque specifications.

| ITEM | QTY | DESCRIPTION |
|------|-----|------------------------------------|
| *1 | 1 | Nut 3/8" NF Nylok® SS |
| *2 | 1 | HHCS 3/8UNJFX1.35 HSS (Not Used) |
| 3 | 2 | Washer Flat, 7/16" SS |
| *4 | 2 | Nut 7/16" NF Nylok® SS |
| 5 | 2 | Washer, Flat 1/2" SS |
| *6 | 2 | Nut 1/2" NF Nylok® Ni plated brass |
| 7 | 4 | Spacer, Thick, Plastic |
| 8 | 1 | Spacer, Thin, Plastic |
| 9 | 1 | Support Rod |

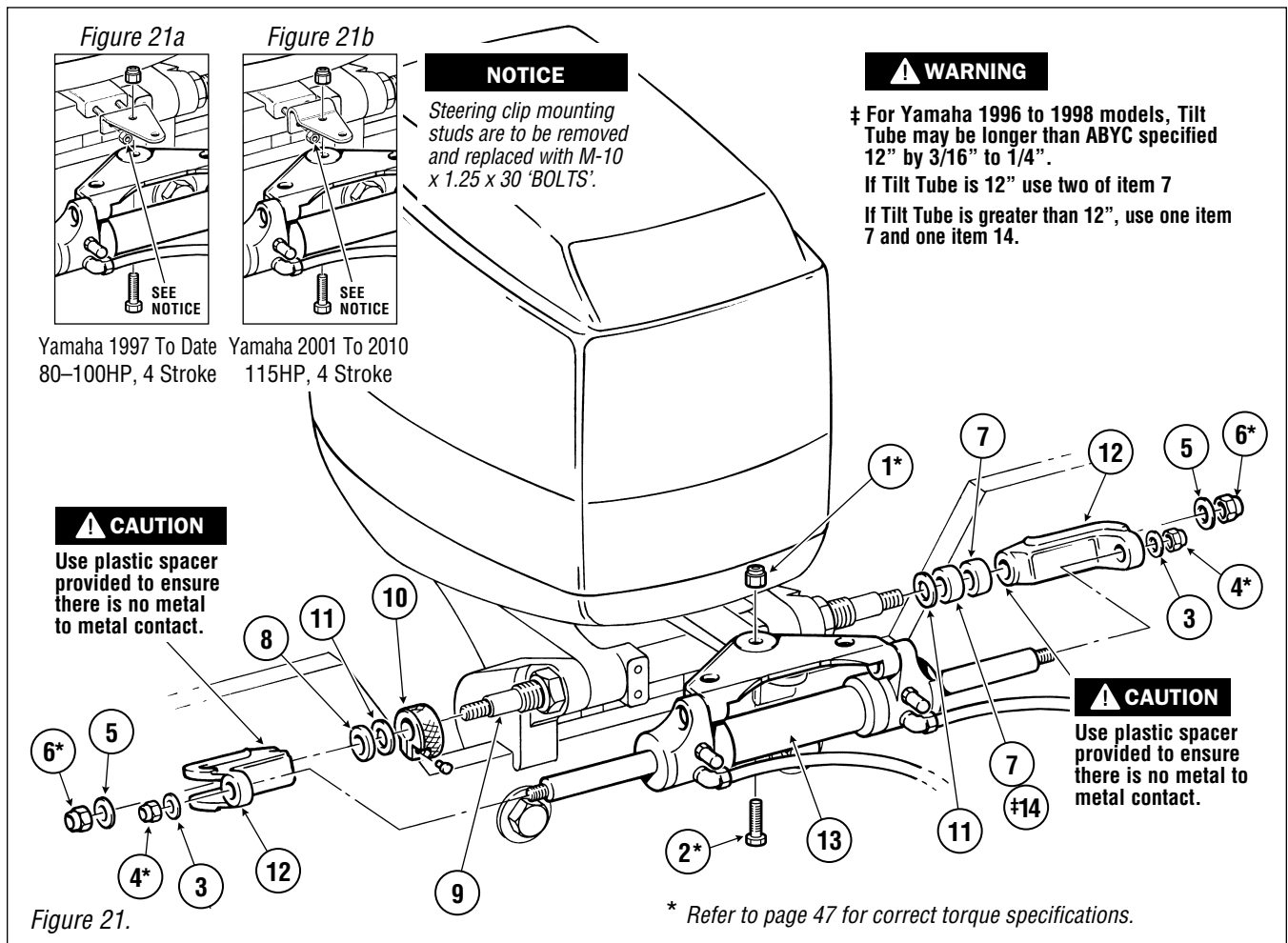
| ITEM | QTY | DESCRIPTION |
|------|-----|---|
| 10 | 1 | Adjusting Nut & Screw SS, Teflon Coated |
| 11 | 2 | Washer, Flat 5/8" SS |
| 12 | 2 | Support Brackets |
| 13 | 1 | Pivot Mount Cylinder |
| *14 | 1 | Spacer, Medium (Maybe Used) |
| 15 | 1 | HHCS 3/8" NF x 1-3/8" SS |
| 16 | | Refer to page 10 for specific spacer installation instructions. |

INSTALLATION INSTRUCTIONS

SINGLE ENGINE

WARNING Refer to page 47 for correct torque specifications of all installation hardware.

| ENGINE MANUFACTURER | YEAR | MODEL | CYLINDER | NOTE |
|---------------------|--------------|-------------------------|-----------------|--|
| YAMAHA | 1986 TO 2004 | 100–200 HP 2 Stroke | HC5345-3 | |
| | 1990 TO 2004 | 150–300 HP 2 Stroke | HC5345-3 | |
| | 1997 TO DATE | F75–F300 HP Inc. 4.2 V6 | HC5345-3 | 1997 to Date 80–100HP 4 Stroke (See fig. 21a) 2001 to 2004 115HP 4 Stroke (See fig. 21b) |
| | 2007 TO DATE | F300–F350 HP 5.3 V8 | HC5345-3 | <i>MUST use high strength tiller bolt, Kit HA5822. Bolt head is marked with SEASTAR ARP.</i> |
| | 2014 TO DATE | F115B | HC5345-3 | <i>HC5358-3 will NOT work on 115B</i> |



| ITEM | QTY | DESCRIPTION |
|------|-----|------------------------------------|
| *1 | 1 | Nut, 3/8" NF Nylok® SS |
| *2 | 1 | HHCS 3/8UNJFX1.35 HSS |
| 3 | 2 | Washer Flat, 7/16" SS |
| *4 | 2 | Nut, 7/16" NF Nylok® SS |
| 5 | 2 | Washer, Flat 1/2" SS |
| *6 | 2 | Nut 1/2" NF Nylok® Ni plated brass |
| 7 | 2 | Spacer, Thick |
| 8 | 1 | Spacer, Thin |

| ITEM | QTY | DESCRIPTION |
|------|-----|---|
| 9 | 1 | Support Rod |
| 10 | 1 | Adjusting Nut & Screw SS, Teflon Coated |
| 11 | 2 | Washer, Flat 5/8" SS |
| 12 | 2 | Support Brackets |
| 13 | 1 | Pivot Mount Cylinder |
| ‡14 | 1 | Spacer, Medium (Some 1996 to 1998) |
| 15 | 1 | HHCS 3/8" NF x 1-1/2" SS |

INSTALLATION INSTRUCTIONS

SINGLE ENGINE

⚠ WARNING Refer to page 47 for correct torque specifications of all installation hardware.

| ENGINE MANUFACTURER | YEAR | MODEL | CYLINDER | NOTE |
|---------------------|--------------|---------|-----------------|--------------------------|
| YAMAHA | 2010 TO DATE | 4.2L V6 | HC5445-3 | Stroke reduced cylinder. |

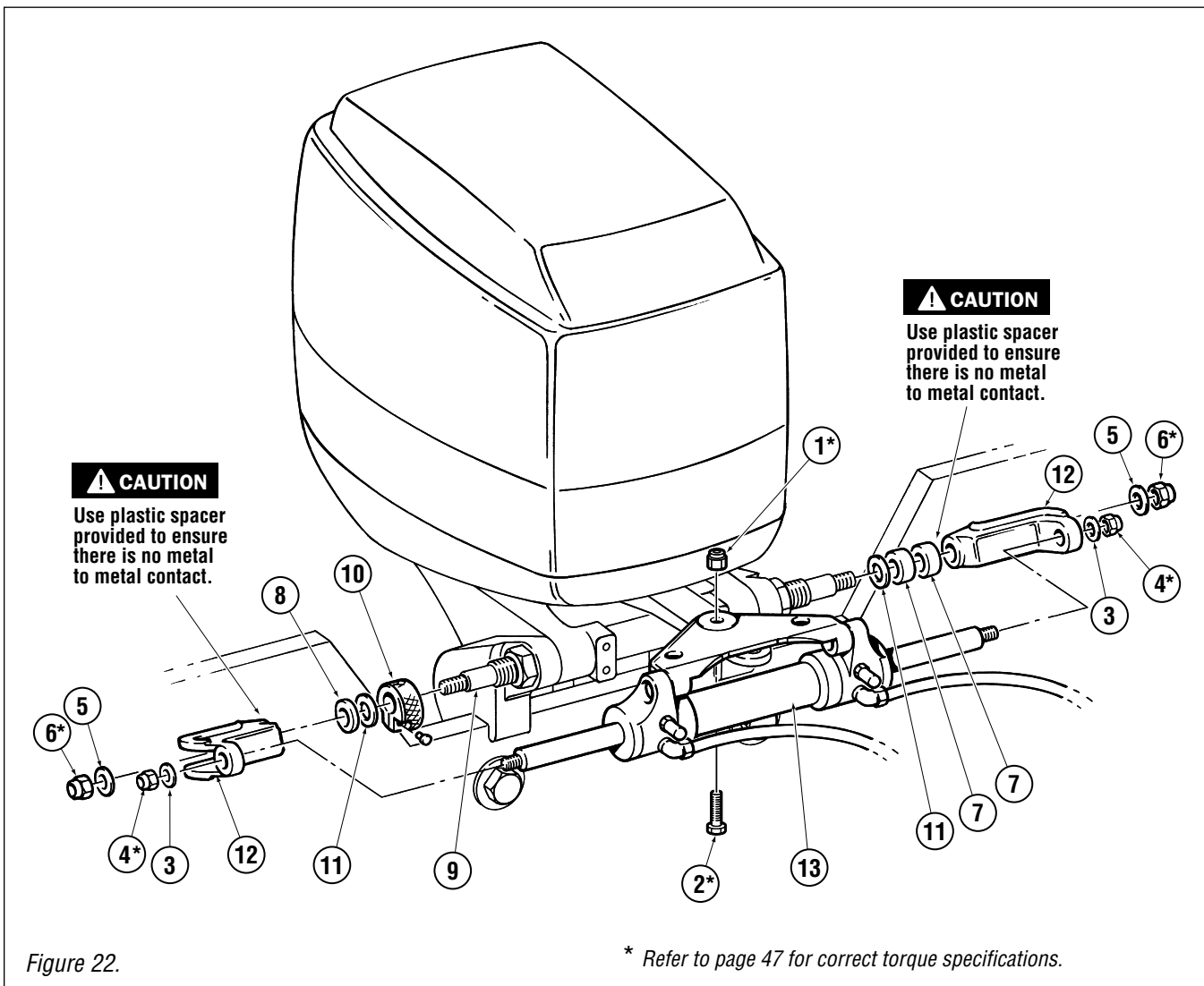


Figure 22.

* Refer to page 47 for correct torque specifications.

| ITEM | QTY | DESCRIPTION |
|------|-----|------------------------------------|
| *1 | 1 | Nut, 3/8" NF Nylok® SS |
| *2 | 1 | HHCS 3/8" UNJF x 1.35" HSS |
| 3 | 2 | Washer Flat, 7/16" SS |
| *4 | 2 | 7/16" NF Nylok SS |
| 5 | 2 | Washer, Flat 1/2" SS |
| *6 | 2 | Nut 1/2" NF Nylok® Ni plated brass |
| 7 | 2 | Spacer, Thick, Plastic |
| 8 | 1 | Spacer, Thin, Plastic |
| 9 | 1 | Support Rod |

| ITEM | QTY | DESCRIPTION |
|------|-----|---|
| 10 | 1 | Adjusting Nut & Screw SS, Teflon Coated |
| 11 | 2 | Washer, Flat 5/8" SS |
| 12 | 2 | Support Brackets |
| 13 | 1 | Pivot Mount Cylinder |
| 14 | 1 | Spacer, Medium (Not Used) |
| 15 | 1 | HHCS, 3/8" NF x 1-3/8" SS |

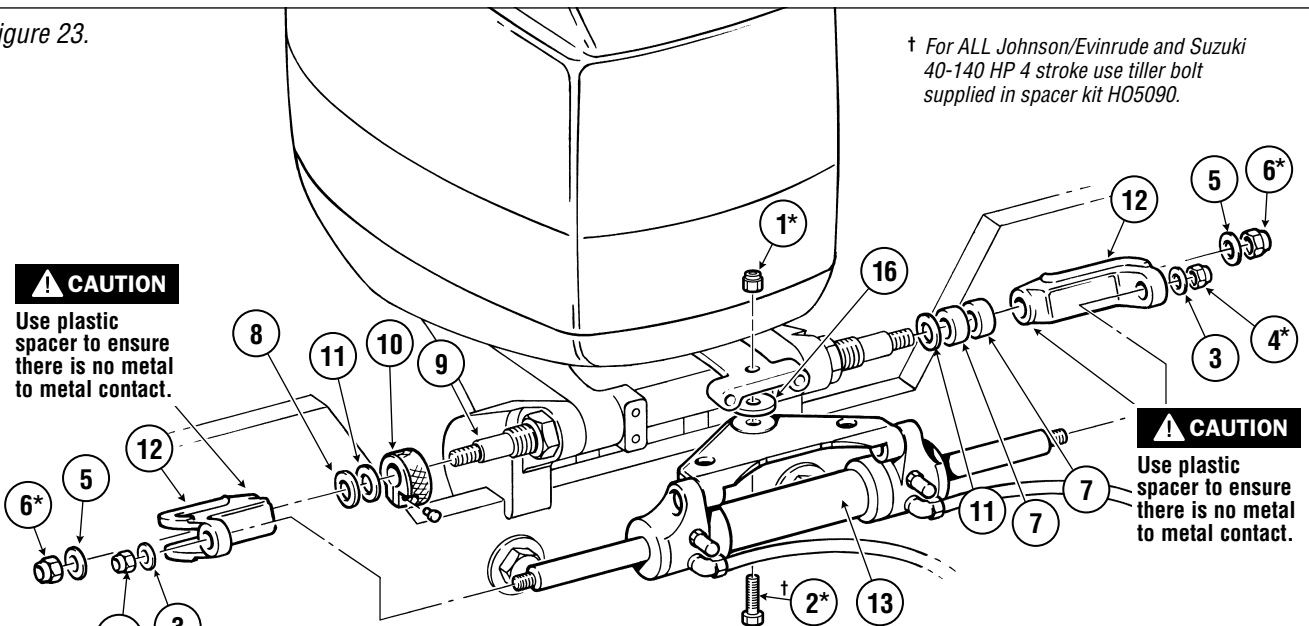
INSTALLATION INSTRUCTIONS

SINGLE ENGINE

WARNING Refer to page 47 for correct torque specifications of all installation hardware.

| ENGINE MANUFACTURER | YEAR | MODEL | CYLINDER | NOTE |
|---------------------|--------------|-------------------------|-----------------|--|
| SUZUKI | 1986 TO 2000 | DT-100 HP | HC5345-3 | Req. Spacer Kit HO5090 (See fig. 23d) NOT 1996 May req. Spacer Kit HO5090 (See fig. 23a & 23b) |
| | 1998 TO DATE | 40-140 HP 4-Stroke | HC5358-3 | |
| | 1986 TO 2002 | 115-140 HP | HC5345-3 | |
| | 1996 ONLY | 150-140 HP 2-Stroke | HC5348-3 | |
| | 1986 TO DATE | 150-225 HP 2 & 4-Stroke | HC5345-3 | See fig. 23c for locating on tiller See fig. 23c for locating on tiller |
| | 2004 TO DATE | DF200-DF300 3.6-4.0L V6 | HC5345-3 | |
| | 2017 TO DATE | DF350 4.4L V6 | HC5345-3 | |

Figure 23.



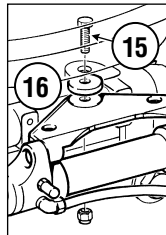
CAUTION
Use plastic spacer to ensure there is no metal to metal contact.

CAUTION
Use plastic spacer to ensure there is no metal to metal contact.

WARNING
Fully tilting the engine may cause the steering cylinder to interfere with the transom and/or splashwell. Possible damage to the steering system can result. Ensure that the cylinder is free from interference at all times.

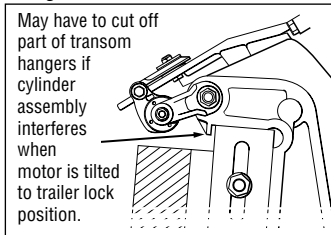
* Refer to page 47 for correct torque specifications.

Figure 23a



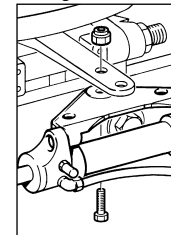
Suzuki 115-140HP (use rear hole)

Figure 23b



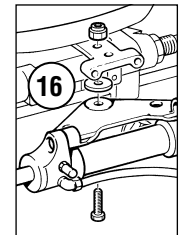
Suzuki 115/140 to 1998

Figure 23c



Suzuki 1986 to Date 150-300HP

Figure 23d



Suzuki 1998 to Date 40-140HP 4-Stroke

| ITEM | QTY | DESCRIPTION |
|------|-----|------------------------------------|
| *1 | 1 | Nut, 3/8" NF Nylok® SS |
| *2 | 1 | HHCS 3/8UNJFX1.35 HSS |
| 3 | 2 | Washer Flat, 7/16" SS |
| *4 | 2 | 7/16" NF Nylok® SS |
| 5 | 2 | Washer, Flat 1/2" SS |
| *6 | 2 | Nut 1/2" NF Nylok® Ni plated brass |
| 7 | 2 | Spacer, Thick, Plastic |
| 8 | 1 | Spacer, Thin, Plastic |
| 9 | 1 | Support Rod |

| ITEM | QTY | DESCRIPTION |
|------|-----|---|
| 10 | 1 | Adjusting Nut & Screw SS, Teflon Coated |
| 11 | 2 | Washer, Flat 5/8" SS |
| 12 | 2 | Support Brackets |
| 13 | 1 | Pivot Mount Cylinder |
| 14 | 1 | Spacer, Medium (Not Used) |
| 15 | 1 | HHCS 3/8" NF x 1-3/8" SS |
| 16 | n/a | Refer to page 10 for specific spacer installation instructions. |

INSTALLATION INSTRUCTIONS

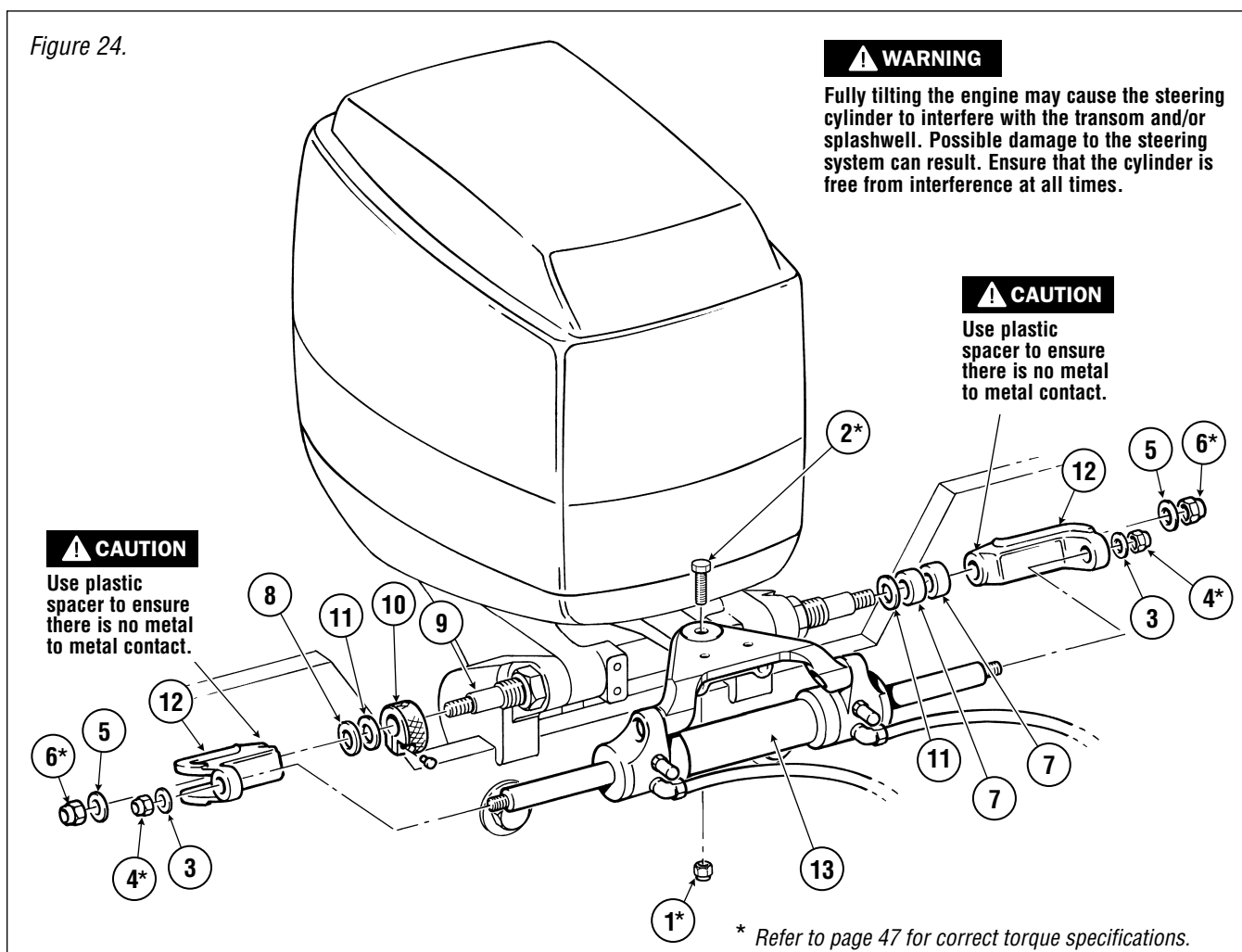
SINGLE ENGINE

For HC5347-3 Cylinder Installation **ONLY**

⚠ WARNING Refer to page 47 for correct torque specifications of all installation hardware.

| ENGINE MANUFACTURER | YEAR | MODEL | CYLINDER | NOTE |
|---------------------|--------------|------------|-----------------|---|
| HONDA | 1998 TO 2009 | 115-130 HP | HC5347-3 | Refer to page 36 for Twin Engine Applications |
| | 2010 TO DATE | 115HP | HC5345-3 | Refer to page 15 for details |

Figure 24.



| ITEM | QTY | DESCRIPTION |
|------|-----|------------------------------------|
| *1 | 1 | Nut, 3/8" NF Nylok® SS |
| *2 | 1 | HHCS 3/8UNJFX1.35 HSS |
| 3 | 2 | Washer Flat, 7/16" SS |
| *4 | 2 | 7/16" NF Nylok® SS |
| 5 | 2 | Washer, Flat 1/2" SS |
| *6 | 2 | Nut 1/2" NF Nylok® Ni plated brass |
| 7 | 2 | Spacer, Thick, Plastic |
| 8 | 1 | Spacer, Thin, Plastic |
| 9 | 1 | Support Rod |

| ITEM | QTY | DESCRIPTION |
|------|-----|---|
| 10 | 1 | Adjusting Nut & Screw SS, Teflon Coated |
| 11 | 2 | Washer, Flat 5/8" SS |
| 12 | 2 | Support Brackets |
| 13 | 1 | Pivot Mount Cylinder |
| 14 | 1 | Spacer, Medium (Not Used) |
| 15 | 1 | HHCS 3/8" NF x 1-3/8" SS |

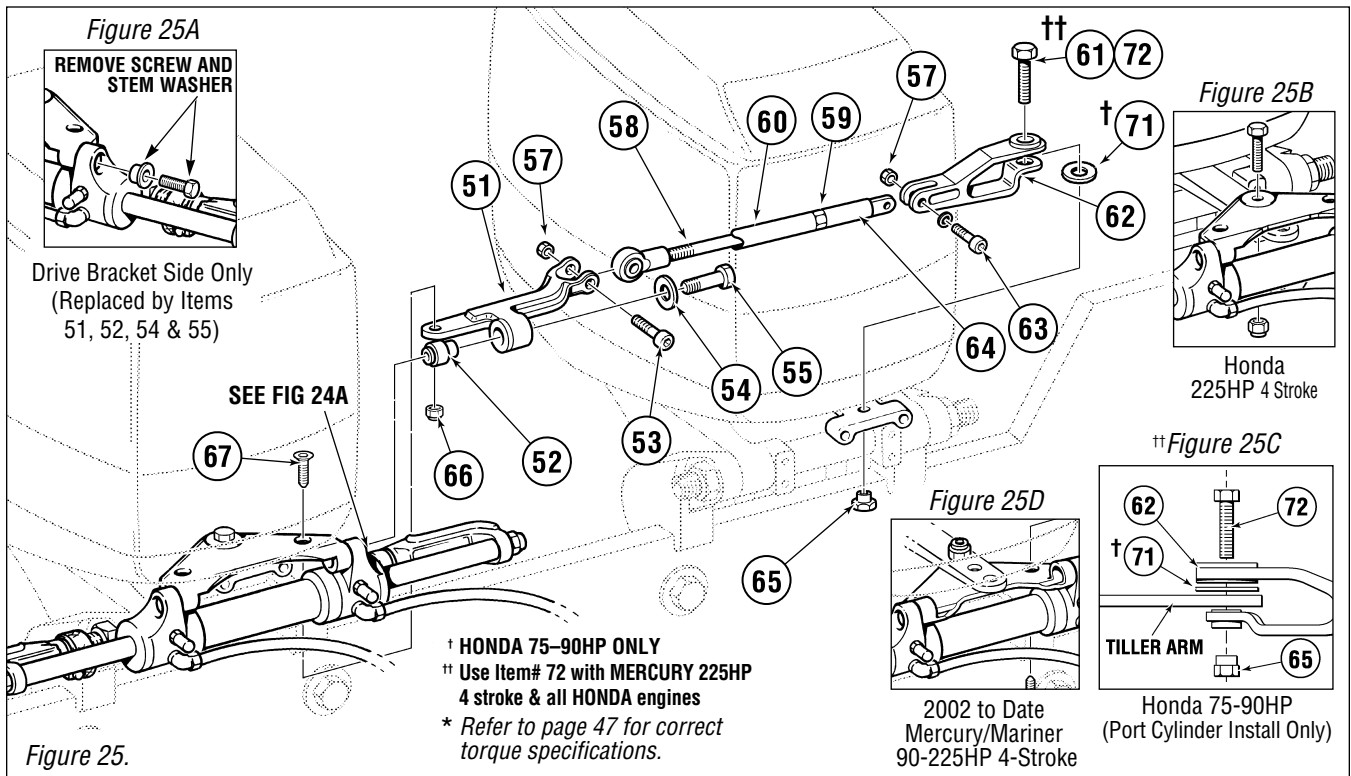
▲ WARNING The steering equipment noted below is for use in boats that are used in a 'normal' fashion. For ALL performance orientated, or, any boat that is rigged with engines that exceed 300HP per engine, SeaStar Solutions recommends the use of the Tournament Type Steering Cylinders and Tie bars. If you have any questions in regards to your installation, please contact SeaStar Solutions. Refer to page 47 for correct torque specifications of all installation hardware.

INSTALLATION INSTRUCTIONS

TWIN ENGINES

Twin Engine Applications HO6001-Single Cylinder Tie Bar Kit

| ENGINE MANUFACTURER | YEAR | MODEL | CYLINDER | ENGINE TIE BAR KITS | | NOTE |
|------------------------|------------------------------|------------------------------|----------------------|--------------------------------|------------------|--|
| | | | | SINGLE CYL. | DUAL CYL. | |
| FORCE | 1995 TO DATE | 90-120 HP | HC5345-3 | HO6001 | HO6002 | |
| HONDA | †† 1996 TO DATE | 75-90 HP | HC5345-3 | HO6001 | HO6002 | Port Cylinder install ONLY. (see figure 25C) **Requires Spacer Kit HO5090. Trim Engine Hooks if Interference occurs |
| | †† 1998 TO DATE | 30-50 HP | HC5345-3 | HO6001 | HO6002 | |
| | †† 2001 TO DATE | BF200-250 4 Stroke | HC5445-3 | HO6001 | HO6002 | |
| | 2003 TO DATE 2010 TO DATE | BF135-150 115 HP 4 Stroke | HC5345-3 HC5345-3 | HO6001 HO6001 | HO6002 HO6002 | |
| MERCURY/MARINER | 1989 TO DATE | 75-275 HP | HC5345-3 | HO6001 | HO6002 | (See page 26 for Dual Cylinder) |
| | †† 2002 TO DATE | 90-225 HP 4 Stroke | HC5358-3 | HO6001 | HO6002 | (See figure 25D) |
| | 2002 TO DATE | 115XS- 300XS | HC6345-3 | N/A | N/A | Cylinder req. on every engine (See page 26) MUST use Tournament Cylinders. Must use high strength tiller bolt, Kit HA5822 Bolt head is marked with SEASTAR ARP. |



| ITEM | QTY | DESCRIPTION |
|-------|-----|--------------------------------------|
| 51 | 1 | Drive Bracket Assembly |
| 52 | 1 | Spacer |
| *53 | 1 | Shoulder Bolt, 3/8" x 1-1/4", SS |
| 54 | 1 | Washer 5/16" x 3/4" OD SS |
| *55 | 1 | HHCS 5/16" NC x 2" SS |
| *56 | 1 | Nut, Nylok®, 3/8" NF, SS (Not used) |
| *57 | 2 | Nut, Nylok®, 5/16" NC SS |
| 58 | 1 | Tie Bar c/w Ball Joint |
| *59 | 1 | Nut, Nylok® 1/2" NF, Ni plated brass |
| 60 | 1 | Stringer Tube, SS |
| ††*61 | 1 | HHCS, 3/8" NF 1-1/4", SS |

| ITEM | QTY | DESCRIPTION |
|-------|-----|--------------------------------------|
| 62 | 1 | Slave Bracket Assembly |
| *63 | 1 | Shoulder Bolt, 3/8" x 1" SS |
| 64 | 1 | Rod End SS 1/2" NF |
| 65 | 1 | Threaded Bushing |
| *66 | 1 | Nut, Nylok®, 5/16" NC, SS, Thin |
| *67 | 1 | FHSCS, 5/16" NC x 3/4", SS |
| 69 | 1 | Bush, 1/2" OD x 3/8", SS (Not Used) |
| *70 | 1 | HHCS 3/8" NF x 1-5/8", SS (Not Used) |
| †71 | 1 | Washer, 3/8" x 1-1/4" OD, SS |
| ††*72 | 1 | HHCS, 3/8" NF 1-1/2", SS |

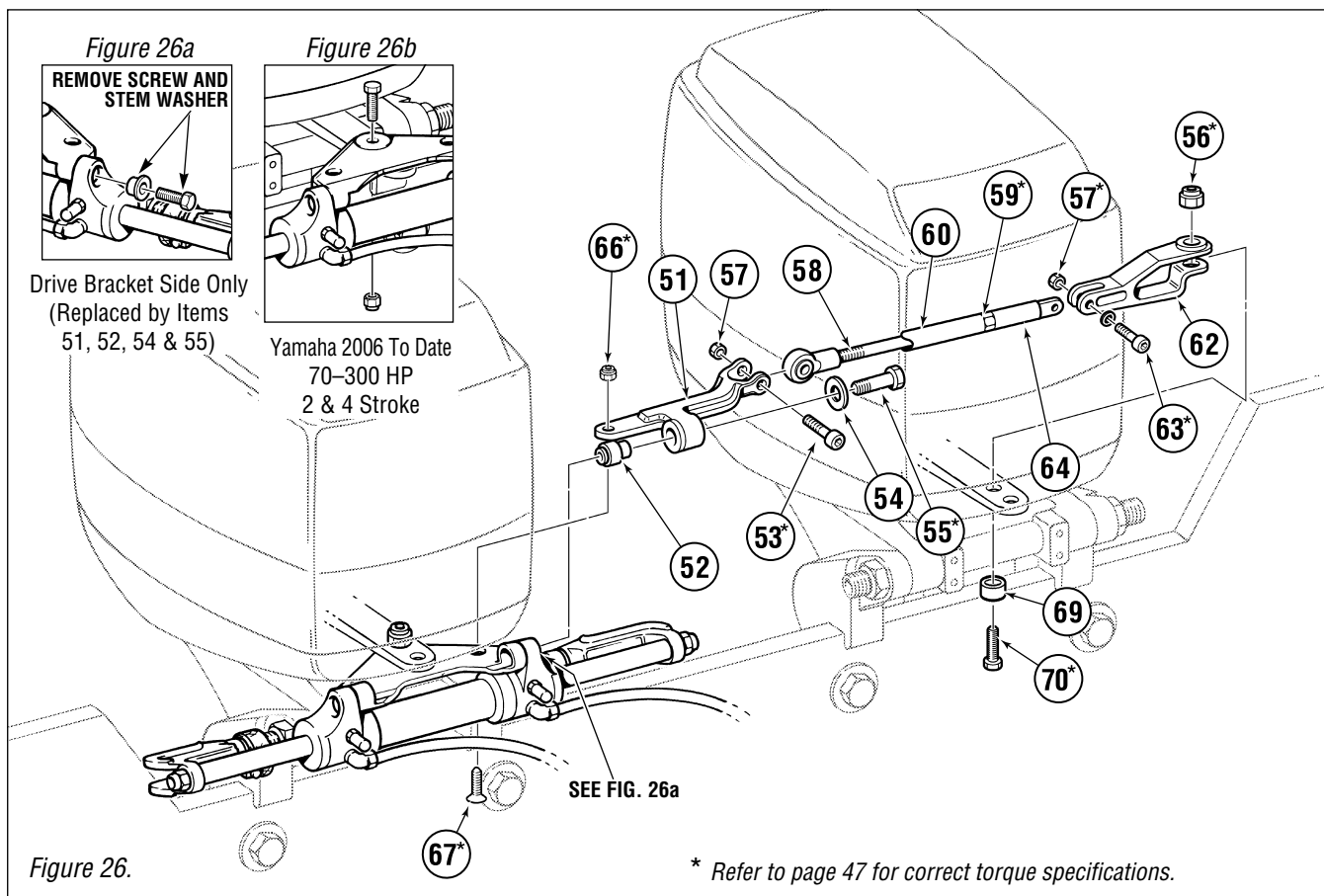
INSTALLATION INSTRUCTIONS

TWIN ENGINES

⚠ WARNING The steering equipment noted below is for use in boats that are used in a 'normal' fashion. For ALL performance orientated, or, any boat that is rigged with engines that exceed 300HP per engine, SeaStar Solutions recommends the use of the Tournament Type Steering Cylinders and Tie bars. If you have any questions in regards to your installation, please contact SeaStar Solutions. Refer to page 47 for correct torque specifications of all installation hardware.

H06001-Single Cylinder Tie Bar Kit

| ENGINE MANUFACTURER | YEAR | MODEL | CYLINDER | ENGINE TIE BAR KITS SINGLE CYL. | DUAL CYL. | NOTE |
|---------------------|--------------|------------------------------|----------|------------------------------------|-----------|---|
| YAMAHA | 1986 TO 2004 | 75-300 HP (2 & 4 Stroke) | HC5358-3 | H06001 | H06002 | See fig. 26b Must use Tournament Cylinders |
| | 2004 TO DATE | 3.3L 75-300 HP | HC5358-3 | H06001 | H06002 | |
| | 2006 TO DATE | 4.2L 75-300HP | HC5345-3 | H06001 | H06002 | |
| | 2007 TO DATE | F350 HP | N/A | N/A | N/A | |
| | 2014 TO DATE | F115B | HC5345-3 | H06001 | H06002 | |
| SUZUKI | 2015 TO DATE | DF200A, DF175A, DF150(SS) | HC5358-3 | H06001 | H06002 | |



| ITEM | QTY | DESCRIPTION |
|------|-----|---------------------------------------|
| 51 | 1 | Drive Bracket Assembly |
| 52 | 1 | Spacer |
| *53 | 1 | Shoulder Bolt, 3/8" x 1-1/4", SS |
| 54 | 1 | Washer 5/16" x 3/4" OD, SS |
| *55 | 1 | HHCS 5/16" NC x 2-1/2", SS |
| *56 | 1 | Nut, Nylok®, 3/8" NF, SS |
| *57 | 2 | Nut, Nylok®, 5/16" NC, SS |
| 58 | 1 | Tie Bar c/w Ball Joint |
| *59 | 1 | Nut, Nylok®, 1/2" NF, Ni plated brass |
| 60 | 1 | Stringer Tube, SS |

| ITEM | QTY | DESCRIPTION |
|------|-----|---|
| *61 | 1 | HHCS, 3/8" NF 1-1/4", SS (Not Used) |
| 62 | 1 | Slave Bracket Assembly |
| *63 | 1 | Shoulder Bolt, 3/8" x 1", SS |
| 64 | 1 | Rod End SS 1/2" NF |
| 65 | 1 | Threaded Bushing (Not Used) |
| *66 | 1 | Nut, Nylok®, 5/16" NC, SS, Thin |
| *67 | 1 | FHSCS, 5/16" NC x 3/4", SS |
| 69 | 1 | Bush, 1/2" OD x 3/8", SS |
| *70 | 1 | HHCS 3/8" NF x 1-5/8", SS |
| 71 | 1 | Washer, 3/8" x 1-1/4" OD, SS (Not Used) |

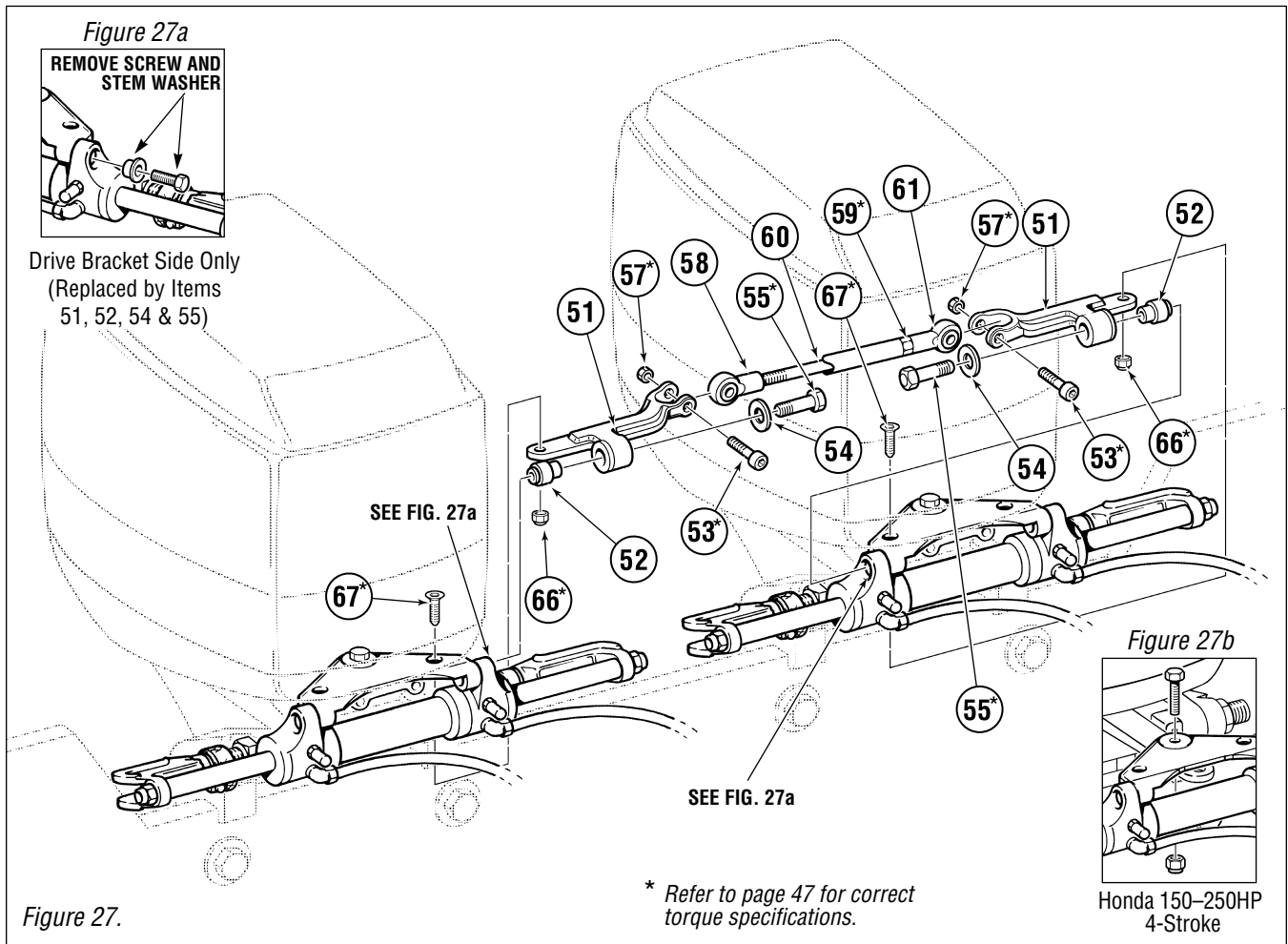
▲ WARNING The steering equipment noted below is for use in boats that are used in a 'normal' fashion. For ALL performance orientated, or, any boat that is rigged with engines that exceed 300HP per engine, SeaStar Solutions recommends the use of the Tournament Type Steering Cylinders and Tie Bars. If you have any questions in regards to your installation, please contact SeaStar Solutions. Refer to page 47 for correct torque specifications of all installation hardware.

INSTALLATION INSTRUCTIONS

TWIN ENGINES

H06002-Dual Cylinder Tie Bar Kit

| ENGINE MANUFACTURER | YEAR | MODEL | CYLINDER | ENGINE TIE BAR KITS | | NOTE |
|---------------------|--|--|----------------------------------|----------------------------|---------------------------------------|--------------|
| | | | | SINGLE CYL | DUAL CYL | |
| FORCE | 1995 TO DATE | 90-120 HP | HC5345-3 | H06001 | H06002 | |
| HONDA | 1996 TO DATE 2001 TO DATE 2001 TO DATE | 75-90 HP BF135-150HP BF200-250 4-stroke | HC5345-3 HC5345-3 HC5445-3 | H06001 H06001 H06001 | N/A H06002 H06002 | See fig. 27b |



| ITEM | QTY | DESCRIPTION |
|------|-----|----------------------------------|
| 51 | 2 | Drive Bracket Assembly |
| 52 | 2 | Spacer |
| *53 | 2 | Shoulder Bolt, 3/8" x 1-1/4", SS |
| 54 | 2 | Washer 5/16" x 3/4" OD SS |
| *55 | 2 | HHCS 5/16" NC x 2-1/2" SS |
| *57 | 2 | Nut, Nylok®, 5/16" NC, SS |

| ITEM | QTY | DESCRIPTION |
|------|-----|--------------------------------------|
| 58 | 1 | Tie bar c/w Ball Joint |
| *59 | 1 | Nut, Nylok® 1/2" NF, Ni plated brass |
| 60 | 1 | Stringer Tube, SS |
| 61 | 1 | Rod End Ball 1/2" SS |
| *66 | 2 | Nut, Nylok®, 5/16" NC, SS, Thin |
| *67 | 2 | FHSCS, 5/16" NC x 3/4", SS |

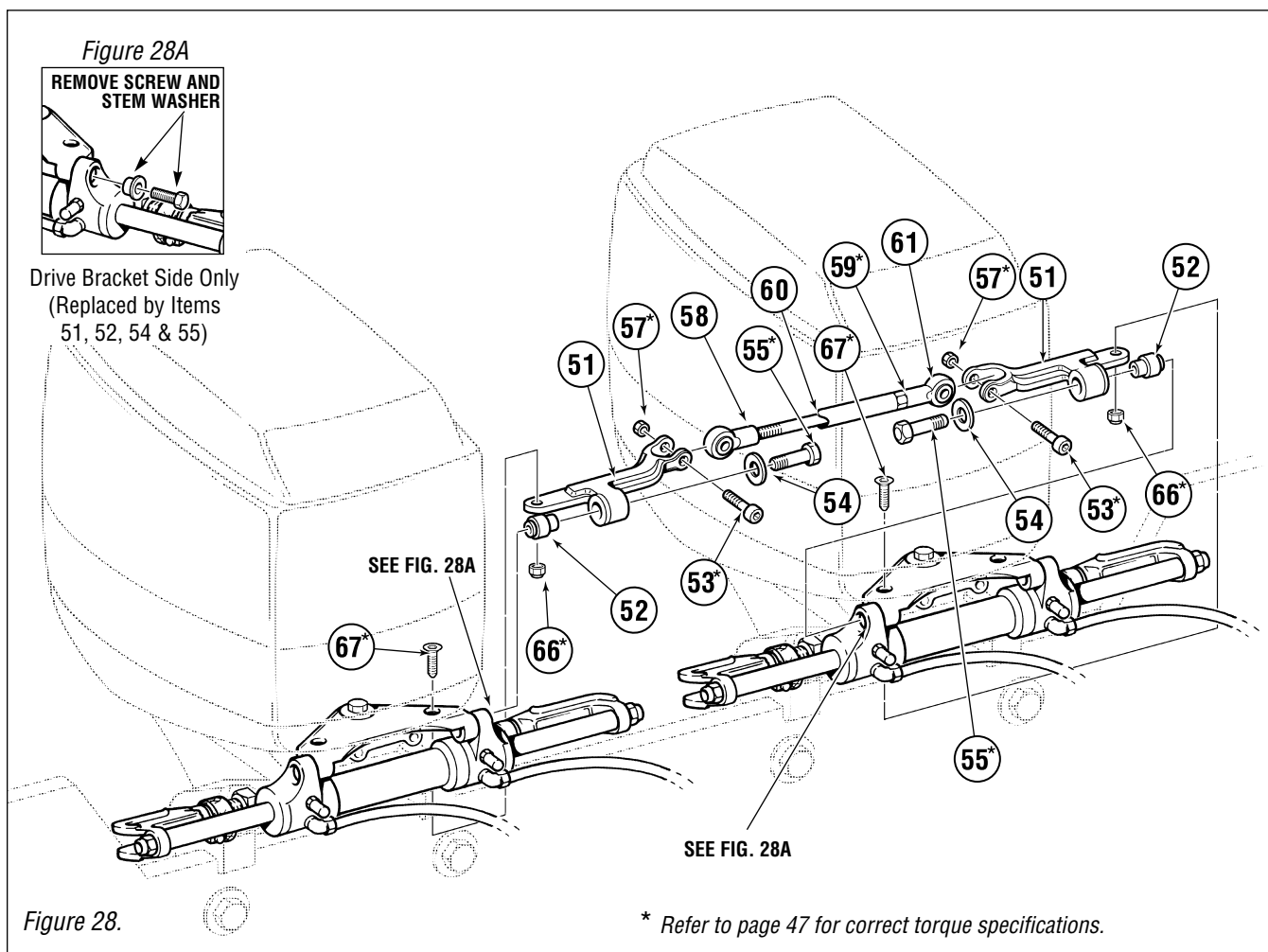
INSTALLATION INSTRUCTIONS

TWIN ENGINES

⚠ WARNING The steering equipment noted below is for use in boats that are used in a 'normal' fashion. For ALL performance orientated, or, any boat that is rigged with engines that exceed 300HP per engine, SeaStar Solutions recommends the use of the Tournament Type Steering Cylinders and Tie bars. If you have any questions in regards to your installation, please contact SeaStar Solutions. Refer to page 47 for correct torque specifications of all installation hardware.

HO6002-Dual Cylinder Tie Bar Kit

| ENGINE MANUFACTURER | YEAR | MODEL | CYLINDER | ENGINE TIE BAR KITS | | NOTES |
|------------------------|--------------|-----------------|----------|---------------------|---------------|---|
| | | | | SINGLE CYL | DUAL CYL | |
| MERCURY/MARINER | 1989 TO DATE | 75-275 HP | HC5345-3 | HO6001 | HO6002 | (See page 30 for Dual Cylinder) Cylinder required on every engine. MUST use Tournament Cylinders. Must use high strength tiller bolt, Kit HA5822. Bolt Head is marked with SEASTAR ARP. |
| | 2002 TO DATE | 225 HP 4 Stroke | HC5358-3 | HO6001 | HO6002 | |
| | 2002 TO DATE | 250 XS HP | HC6345-3 | N/A | N/A | |



| ITEM | QTY | DESCRIPTION |
|------|-----|----------------------------------|
| 51 | 2 | Drive Bracket Assembly |
| 52 | 2 | Spacer |
| *53 | 2 | Shoulder Bolt, 3/8" x 1-1/4", SS |
| 54 | 2 | Washer 5/16" x 3/4" OD SS |
| *55 | 2 | HHCS 5/16" NC x 2-1/2" SS |
| *57 | 2 | Nut, Nylok®, 5/16" NC, SS |

| ITEM | QTY | DESCRIPTION |
|------|-----|--------------------------------------|
| 58 | 1 | Tie bar c/w Ball Joint |
| *59 | 1 | Nut, Nylok® 1/2" NF, Ni plated brass |
| 60 | 1 | Stringer Tube, SS |
| 61 | 1 | Rod End Ball 1/2" SS |
| *66 | 2 | Nut, Nylok®, 5/16" NC, SS, Thin |
| *67 | 2 | FHSCS, 5/16" NC x 3/4", SS |

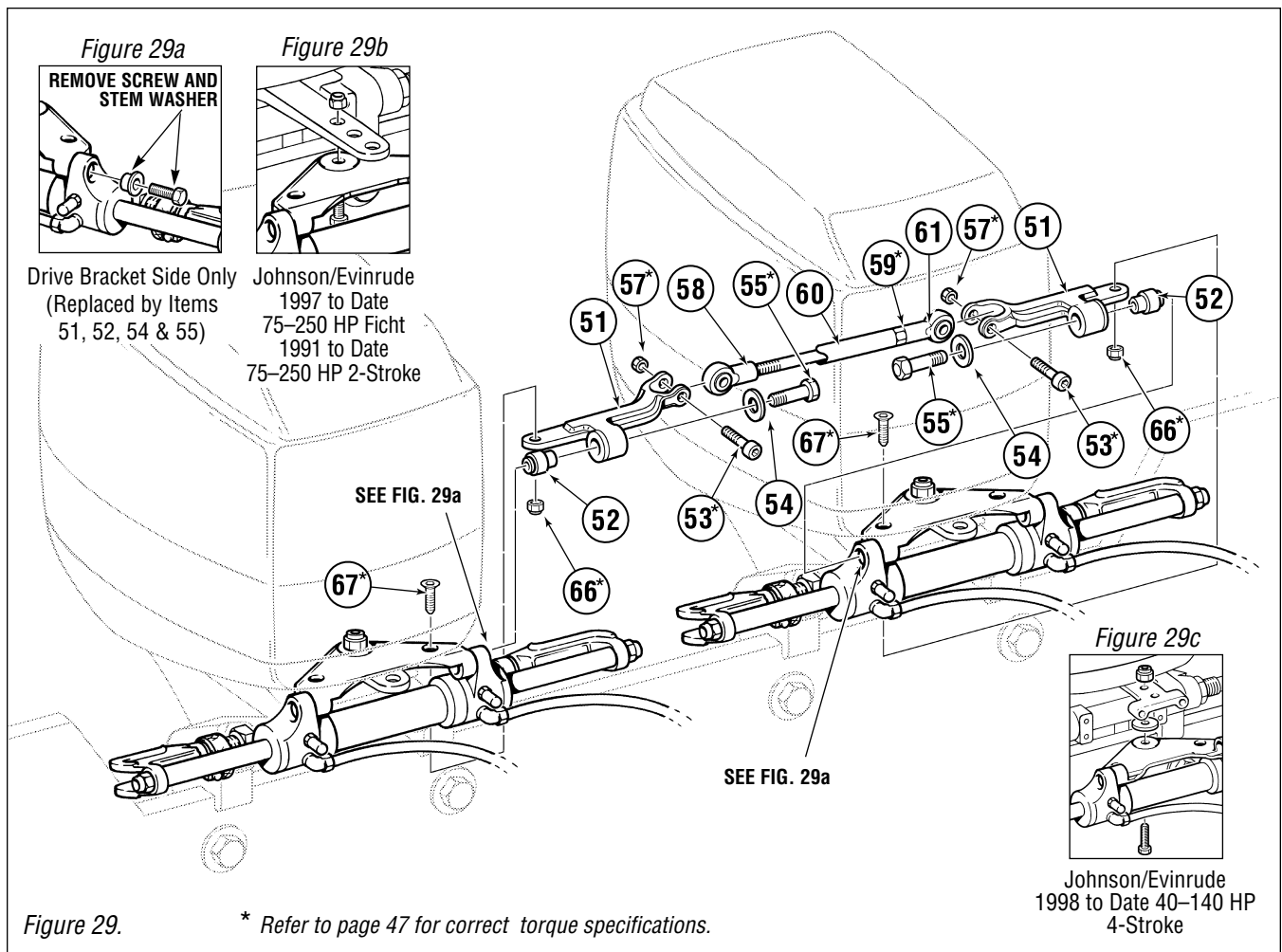
▲ WARNING The steering equipment noted below is for use in boats that are used in a 'normal' fashion. For ALL performance orientated, or, any boat that is rigged with engines that exceed 300HP per engine, SeaStar Solutions recommends the use of the Tournament Type Steering Cylinders and Tie bars. If you have any questions in regards to your installation, please contact SeaStar Solutions. Refer to page 47 for correct torque specifications of all installation hardware.

INSTALLATION INSTRUCTIONS

TWIN ENGINES

HO6002-Dual Cylinder Tie Bar Kit

| ENGINE MANUFACTURER | YEAR | MODEL | CYLINDER | ENGINE TIE BAR KITS | | NOTES |
|-------------------------|--------------|--------------------|----------|---------------------|---------------|-------------------------------------|
| | | | | SINGLE CYL | DUAL CYL | |
| JOHNSON/EVINRUDE | 1991 TO DATE | 40-250 HP 2 Stroke | HC5345-3 | HO6003 | HO6002 | See fig. 29b |
| | 1997 TO DATE | 75-250 HP FICHT | HC5345-3 | HO6003 | HO6002 | See fig. 29b |
| | 1998 TO DATE | 40-140 HP 4 Stroke | HC5358-3 | HO6003 | HO6002 | See fig. 29c Req. Spacer Kit HO5090 |
| | 2004 TO DATE | 75-250 ETech | HC5345-3 | HO6003 | HO6002 | See fig. 29b |
| | 2007 TO DATE | 3.3L V6 200-250 HP | HC5345-3 | HO6003 | HO6002 | 3.4L V6 250H.O.-300HP |



| ITEM | QTY | DESCRIPTION |
|------|-----|----------------------------------|
| 51 | 2 | Drive Bracket Assembly |
| 52 | 2 | Spacer |
| *53 | 2 | Shoulder Bolt, 3/8" x 1-1/4", SS |
| 54 | 2 | Washer 5/16" x 3/4" OD SS |
| *55 | 2 | HHCS 5/16" NC x 2-1/2" SS |
| *57 | 2 | Nut, Nylok®, 5/16" NC, SS |

| ITEM | QTY | DESCRIPTION |
|------|-----|--------------------------------------|
| 58 | 1 | Tie bar c/w Ball Joint |
| *59 | 1 | Nut, Nylok® 1/2" NF, Ni plated brass |
| 60 | 1 | Stringer Tube, SS |
| 61 | 1 | Rod End Ball 1/2" SS |
| *66 | 2 | Nut, Nylok®, 5/16" NC, SS, Thin |
| *67 | 2 | FHSCS, 5/16" NC x 3/4", SS |

INSTALLATION INSTRUCTIONS

TWIN ENGINES

⚠ WARNING The steering equipment noted below is for use in boats that are used in a 'normal' fashion. For ALL performance orientated, or, any boat that is rigged with engines that exceed 300HP per engine, SeaStar Solutions recommends the use of the Tournament Type Steering Cylinders and Tie bars. If you have any questions in regards to your installation, please contact SeaStar Solutions. Refer to page 47 for correct torque specifications of all installation hardware.

HO6002-Dual Cylinder Tie Bar Kit

| ENGINE MANUFACTURER | YEAR | MODEL | CYLINDER | ENGINE TIE BAR KITS | | NOTES |
|---------------------|--------------|-----------------------|----------|-------------------------------|---------------|-------------------------------------|
| | | | | SINGLE CYL | DUAL CYL | |
| SUZUKI | 1986 TO DATE | 100 HP | HC5345-3 | HO6003 | HO6002 | See fig. 30b |
| | 1986 TO 2002 | 115-140 HP | HC5345-3 | HO6001 | HO6002 | NOT 1996 See fig. 30c |
| | 1986 TO DATE | 150-300 HP 2&4 Stroke | HC5345-3 | HO6003 | HO6002 | See fig. 30b |
| | 1996 ONLY | 115-140 HP | HC5348-3 | HO6001 | HO6002 | |
| | 1998 TO DATE | 40-140 HP 4 Stroke | HC5358-3 | HO6003 | HO6002 | Req. 2 x Spacer Kit HO5090 fig. 30d |
| | 2003 TO DATE | 90 HP 4 Stroke | HC5358-3 | HO6003 | HO6002 | |
| | 2013 TO DATE | DF150-DF175 HP | HC5345-3 | HO6001 | HO6002 | |
| | 2017 TO DATE | DF350 4.4L V6 | | Must Use Tournament Cylinders | HO6002 | |

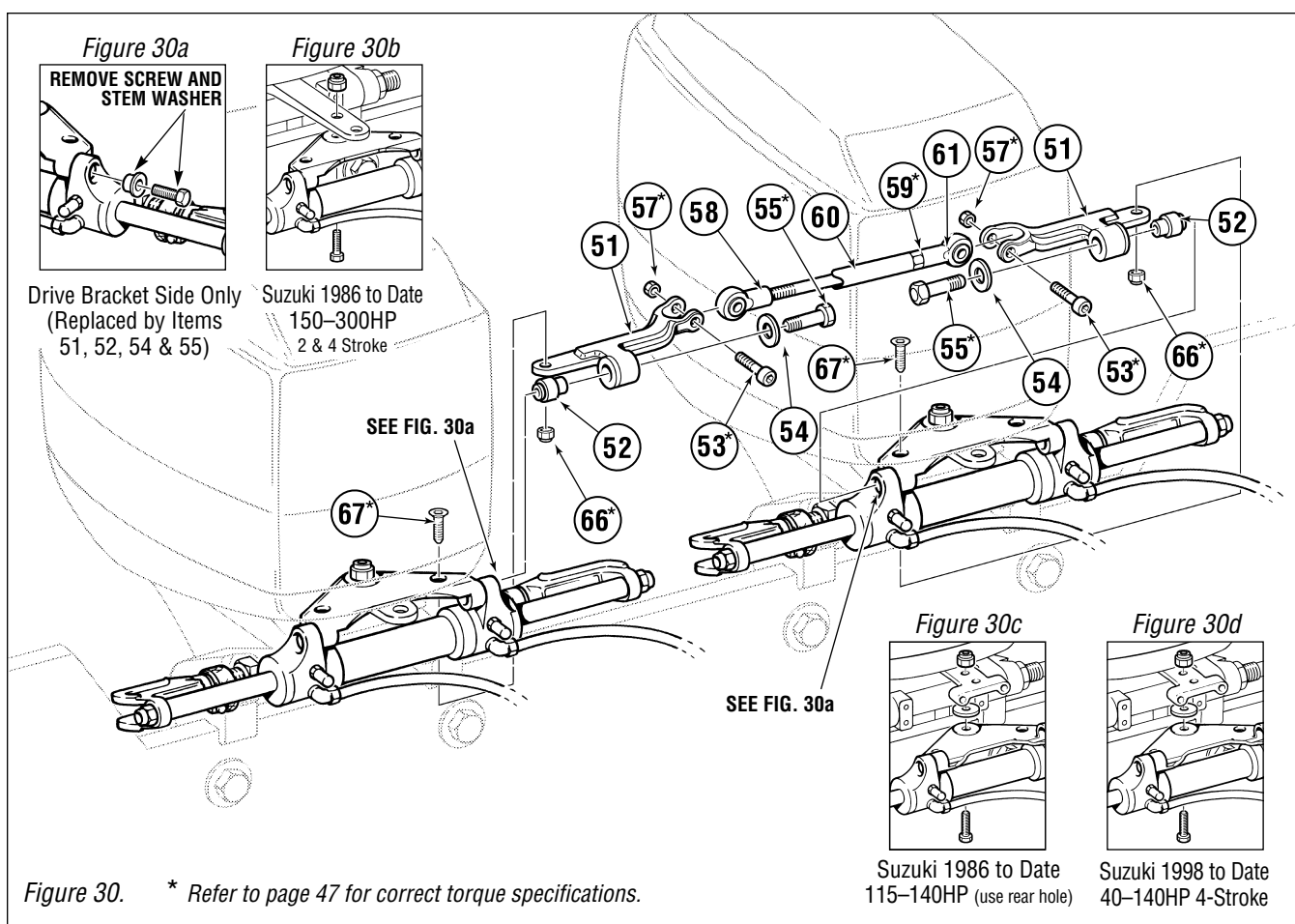


Figure 30. * Refer to page 47 for correct torque specifications.

| ITEM | QTY | DESCRIPTION |
|------|-----|----------------------------------|
| 51 | 2 | Drive Bracket Assembly |
| 52 | 2 | Spacer |
| *53 | 2 | Shoulder Bolt, 3/8" x 1-1/4", SS |
| 54 | 2 | Washer 5/16" x 3/4" OD SS |
| *55 | 2 | HHCS 5/16" NC x 2-1/2" SS |
| *57 | 2 | Nut, Nylok®, 5/16" NC, SS |

| ITEM | QTY | DESCRIPTION |
|------|-----|--------------------------------------|
| 58 | 1 | Tie bar c/w Ball Joint |
| *59 | 1 | Nut, Nylok® 1/2" NF, Ni plated brass |
| 60 | 1 | Stringer Tube, SS |
| 61 | 1 | Rod End Ball 1/2" SS |
| *66 | 2 | Nut, Nylok®, 5/16" NC, SS, Thin |
| *67 | 2 | FHSCS, 5/16" NC x 3/4", SS |

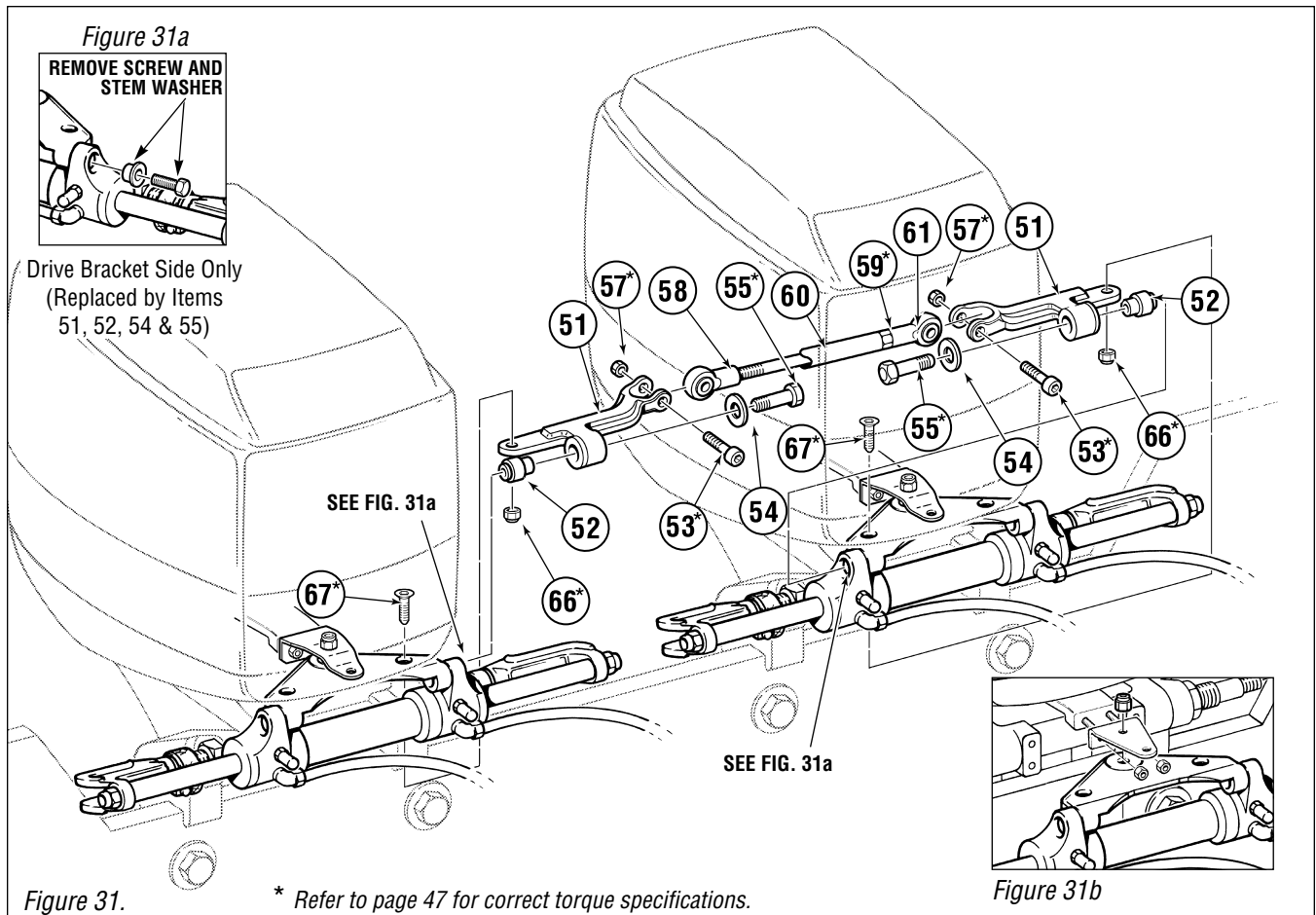
▲ WARNING The steering equipment noted below is for use in boats that are used in a 'normal' fashion. For ALL performance orientated, or, any boat that is rigged with engines that exceed 300HP per engine, SeaStar Solutions recommends the use of the Tournament Type Steering Cylinders and Tie bars. If you have any questions in regards to your installation, please contact SeaStar Solutions. Refer to page 47 for correct torque specifications of all installation hardware.

INSTALLATION INSTRUCTIONS

TWIN ENGINES

H06002-Dual Cylinder Tie Bar Kit

| ENGINE MANUFACTURER | YEAR | MODEL | CYLINDER | ENGINE TIE BAR KITS | | NOTES |
|---------------------|--------------|----------------------|----------|---------------------|---------------|--|
| | | | | SINGLE CYL. | DUAL CYL. | |
| YAMAHA | 1998 TO 2007 | 40-90 HP 2 Stroke | HC5345-3 | H06001 | H06002 | Engine clamp brackets must be modified (cut or ground) and the engine through bolted onto transom or interference will occur restricting engine trim and tilt. Requires spacer kit H05090. (See fig. 31b). |
| | 2007 TO DATE | 25-75 HP | HC5348-3 | H06001 | H06002 | Requires Spacer Kit H05090. |



| ITEM | QTY | DESCRIPTION |
|------|-----|----------------------------------|
| 51 | 2 | Drive Bracket Assembly |
| 52 | 2 | Spacer |
| *53 | 2 | Shoulder Bolt, 3/8" x 1-1/4", SS |
| 54 | 2 | Washer 5/16" x 3/4" OD SS |
| *55 | 2 | HHCS 5/16" NC x 2-1/2" SS |
| *57 | 2 | Nut, Nylok®, 5/16" NC, SS |

| ITEM | QTY | DESCRIPTION |
|------|-----|--------------------------------------|
| 58 | 1 | Tie bar c/w Ball Joint |
| *59 | 1 | Nut, Nylok® 1/2" NF, Ni plated brass |
| 60 | 1 | Stringer Tube, SS |
| 61 | 1 | Rod End Ball 1/2" SS |
| *66 | 2 | Nut, Nylok®, 5/16" NC, SS, Thin |
| *67 | 2 | FHSCS, 5/16" NC x 3/4", SS |

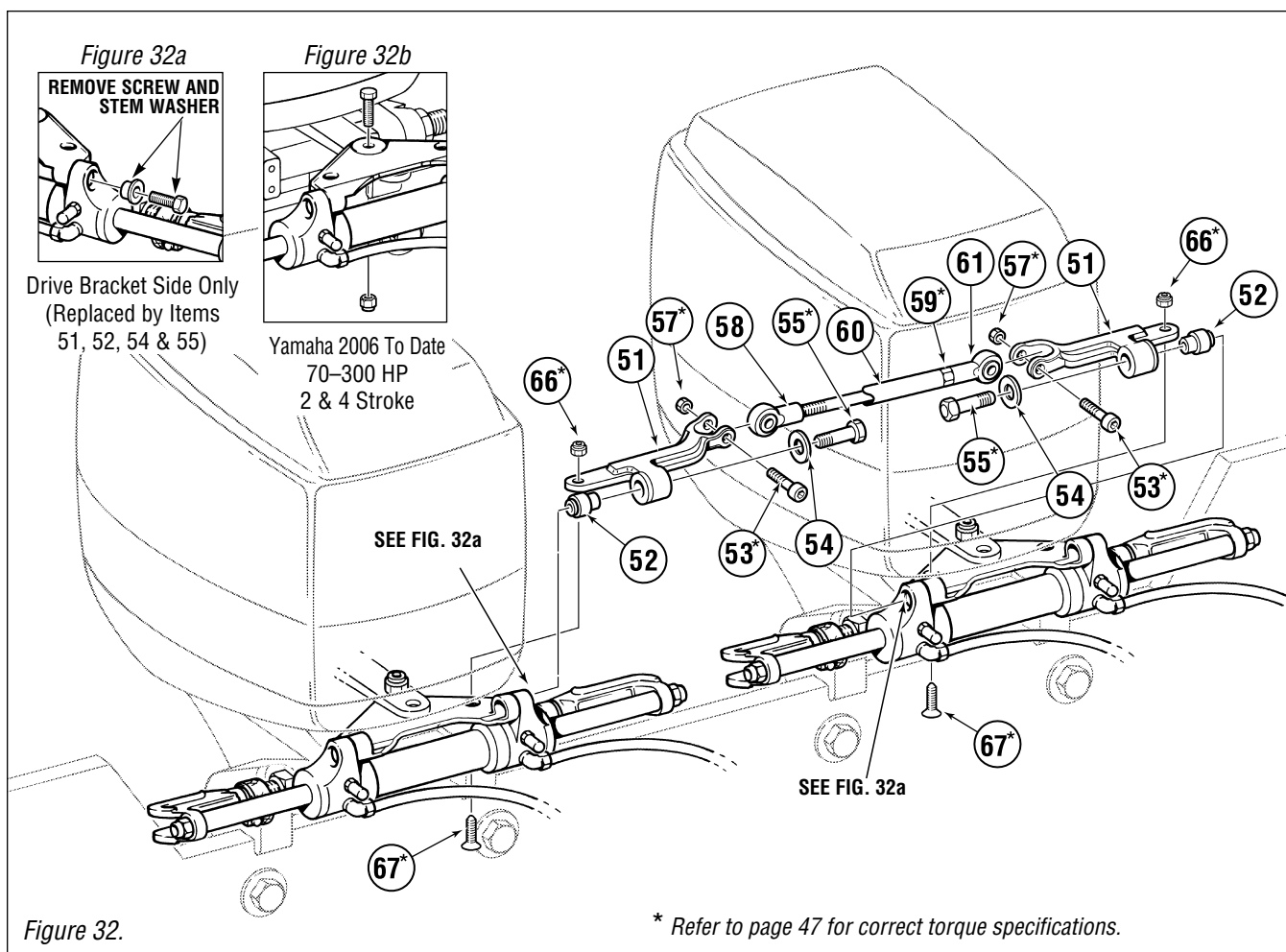
INSTALLATION INSTRUCTIONS

TWIN ENGINES

⚠ WARNING The steering equipment noted below is for use in boats that are used in a 'normal' fashion. For ALL performance orientated, or, any boat that is rigged with engines that exceed 300HP per engine, SeaStar Solutions recommends the use of the Tournament Type Steering Cylinders and Tie bars. If you have any questions in regards to your installation, please contact SeaStar Solutions. Refer to page 47 for correct torque specifications of all installation hardware.

H06002-Dual Cylinder Tie Bar Kit

| ENGINE MANUFACTURER | YEAR | MODEL | CYLINDER | ENGINE TIE BAR KITS | | NOTES |
|------------------------|--------------|--------------------------|----------|---------------------|---------------|--|
| | | | | SINGLE CYL. | DUAL CYL. | |
| YAMAHA | 1986 TO 2004 | 75-300 HP (2 & 4 Stroke) | HC5358-3 | H06001 | H06002 | See fig. 30b Must use Tournament Cylinders. |
| | 2004 TO DATE | 3.3L 75-300 HP | HC5358-3 | H06001 | H06002 | |
| | 2006 TO DATE | 4.2L 75-300 HP | HC5345-3 | H06001 | H06002 | |
| | 2007 TO DATE | 350 HP | N/A | N/A | N/A | |
| MERCURY/MARINER | 2002 TO DATE | 225 HP (4 Stroke) | HC5358-3 | H06001 | H06002 | |



* Refer to page 47 for correct torque specifications.

| ITEM | QTY | DESCRIPTION |
|------|-----|----------------------------------|
| 51 | 2 | Drive Bracket Assembly |
| 52 | 2 | Spacer |
| *53 | 2 | Shoulder Bolt, 3/8" x 1-1/4", SS |
| 54 | 2 | Washer 5/16" x 3/4" OD SS |
| *55 | 2 | HHCS 5/16" NC x 2-1/2" SS |
| *57 | 2 | Nut, Nylok®, 5/16" NC, SS |

| ITEM | QTY | DESCRIPTION |
|------|-----|--------------------------------------|
| 58 | 1 | Tie bar c/w Ball Joint |
| *59 | 1 | Nut, Nylok® 1/2" NF, Ni plated brass |
| 60 | 1 | Stringer Tube, SS |
| 61 | 1 | Rod End Ball 1/2" SS |
| *66 | 2 | Nut, Nylok®, 5/16" NC, SS, Thin |
| *67 | 2 | FHSCS, 5/16" NC x 3/4", SS |

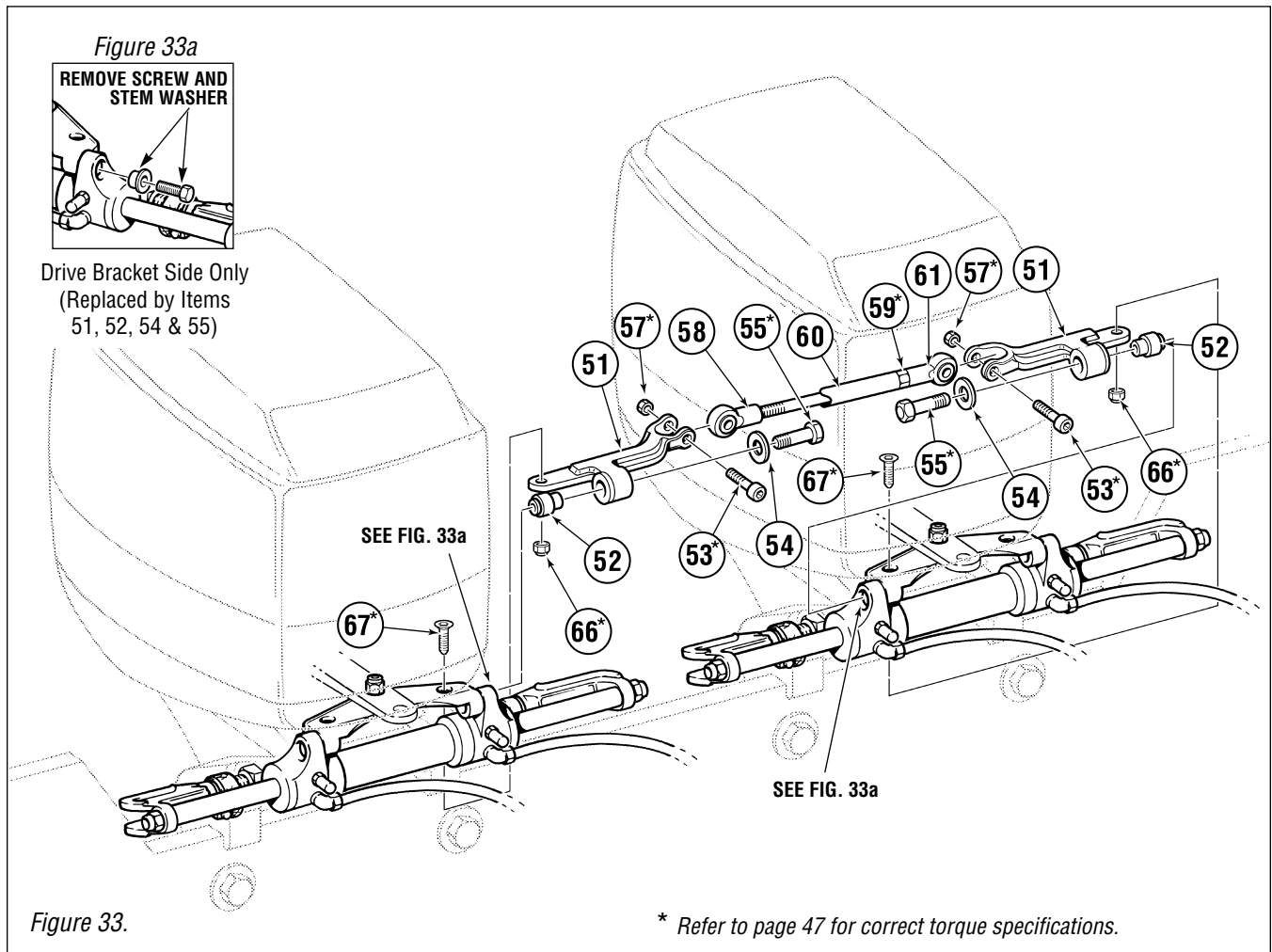
▲ WARNING The steering equipment noted below is for use in boats that are used in a 'normal' fashion. For ALL performance orientated, or, any boat that is rigged with engines that exceed 300HP per engine, SeaStar Solutions recommends the use of the Tournament Type Steering Cylinders and Tie bars. If you have any questions in regards to your installation, please contact SeaStar Solutions. Refer to page 47 for correct torque specifications of all installation hardware.

INSTALLATION INSTRUCTIONS

TWIN ENGINES

HO6002-Dual Cylinder Tie Bar Kit for **HC5348-3** Cylinder Installation **ONLY**

| ENGINE MANUFACTURER | YEAR | MODEL | CYLINDER | ENGINE TIE BAR KITS | | NOTES |
|-----------------------------|--------------|-----------|----------|---------------------|---------------|-------|
| | | | | SINGLE CYL. | DUAL CYL. | |
| JOHNSON EVINRUDE | 1977 TO 1990 | 65-300 HP | HC5348-3 | HO6001 | HO6002 | |



| ITEM | QTY | DESCRIPTION |
|------|-----|--------------------------------------|
| 51 | 2 | Drive Bracket Assembly |
| 52 | 2 | Spacer |
| *53 | 2 | Shoulder Bolt, 3/8" x 1-1/4", SS |
| 54 | 2 | Washer 5/16" x 3/4" OD SS |
| *55 | 2 | HHCS 5/16" NC x 2-1/2" SS |
| *57 | 2 | Nut, Nylok®, 5/16" NC, SS |
| 58 | 1 | Tie bar c/w Ball Joint |
| *59 | 1 | Nut, Nylok® 1/2" NF, Ni plated brass |

| ITEM | QTY | DESCRIPTION |
|------|-----|---------------------------------|
| 60 | 1 | Stringer Tube, SS |
| 61 | 1 | Rod End Ball 1/2" SS |
| *66 | 2 | Nut, Nylok®, 5/16" NC, SS, Thin |
| *67 | 2 | FHCS, 5/16" NC x 1", SS |

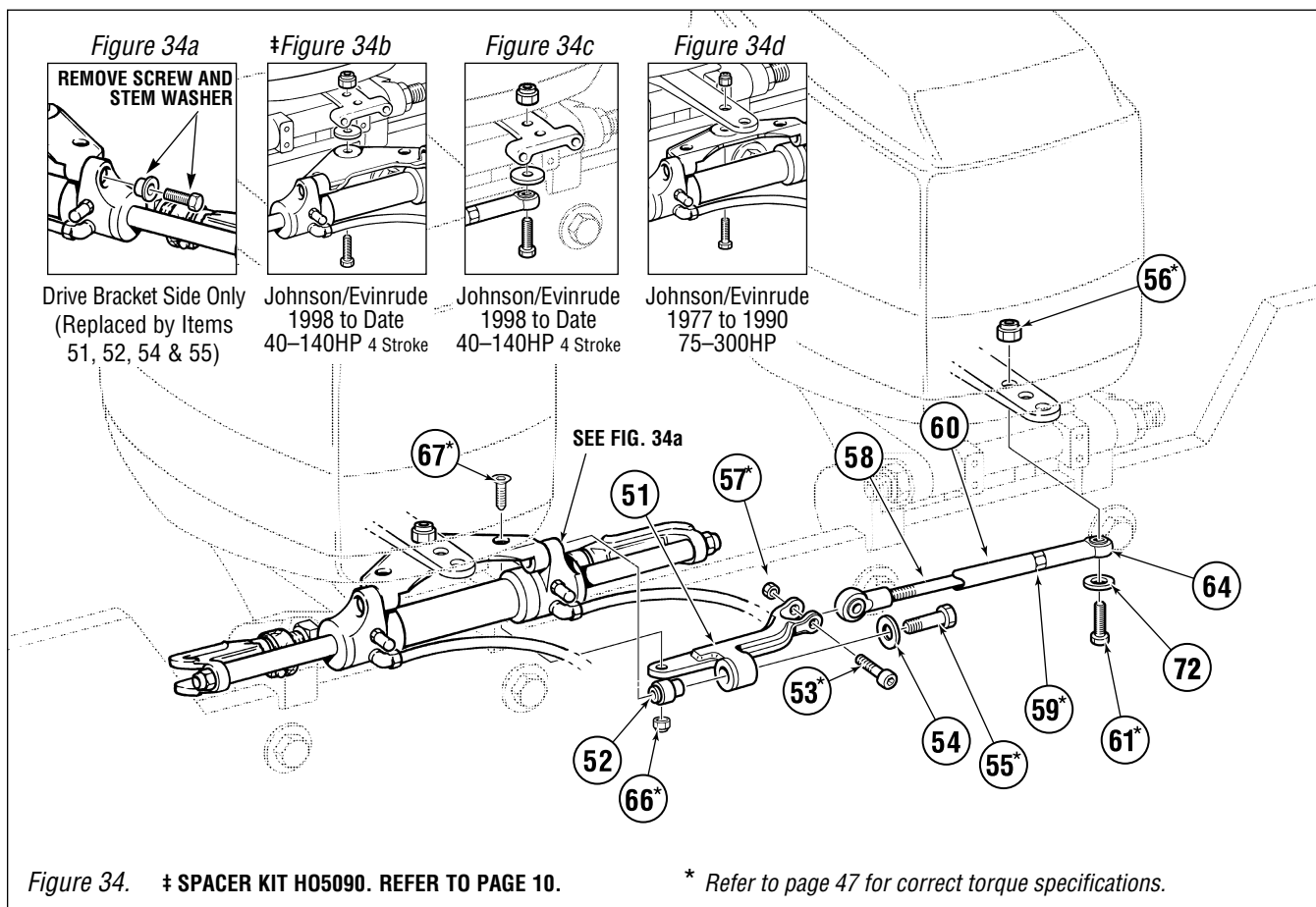
INSTALLATION INSTRUCTIONS

TWIN ENGINES

⚠ WARNING The steering equipment noted below is for use in boats that are used in a 'normal' fashion. For ALL performance orientated, or, any boat that is rigged with engines that exceed 300HP per engine, SeaStar Solutions recommends the use of the Tournament Type Steering Cylinders and Tie bars. If you have any questions in regards to your installation, please contact SeaStar Solutions. Refer to page 47 for correct torque specifications of all installation hardware.

HO6003-Single Cylinder Tie Bar Kit, Johnson/Evinrude

| ENGINE MANUFACTURER | YEAR | MODEL | CYLINDER | ENGINE TIE BAR KITS SINGLE CYL | DUAL CYL | NOTES |
|-------------------------|--------------|--------------------|----------|--------------------------------|----------|--------------------------------------|
| JOHNSON/EVINRUDE | 1977 TO 1990 | 65-300 HP | HC5348-3 | HO6003 | HO6002 | See fig. 34d |
| | 1991 TO DATE | 40-250 HP | HC5345-3 | HO6003 | HO6002 | Includes ETech |
| | 1996 TO DATE | 75-250 HP FICHT | HC5345-3 | HO6003 | HO6002 | |
| | 1998 TO DATE | 40-140 HP 4 Stroke | HC5358-3 | HO6003 | HO6002 | †Req. 2 x H05090. See fig. 34b & 34c |
| | 2007 TO DATE | 3.3L V6 200-250 HP | HC5345-3 | HO6003 | HO6002 | 3.4L V6 250H.O.-300HP |



| ITEM | QTY | DESCRIPTION |
|------|-----|----------------------------------|
| 51 | 1 | Drive Bracket Assembly |
| 52 | 1 | Spacer |
| *53 | 1 | Shoulder Bolt, 3/8" x 1-1/4", SS |
| 54 | 1 | Washer 5/16" Flat 3/4", SS |
| *55 | 1 | HHCS 5/16" NC x 2-1/2", SS |
| *56 | 1 | Nut, Nylok®, 3/8" NF, SS |
| *57 | 1 | Nut, Nylok®, 5/16" NC, SS |
| 58 | 1 | Tie bar c/w Ball Joint (HO6003) |

| ITEM | QTY | DESCRIPTION |
|------|-----|--------------------------------------|
| *59 | 1 | Nut, Nylok® 1/2" NF, Ni plated brass |
| 60 | 1 | Stringer Tube |
| *61 | 1 | HHCS, 3/8" NF x 1-1/2", SS |
| 64 | 1 | Rod End SS 1/2" NF |
| *65 | 1 | Nut, Nylok®, 3/8" NF, SS |
| *66 | 1 | Nut, Nylok®, 5/16" NC, SS, Thin |
| *67 | 1 | FHSCS, 5/16" NC x 3/4", SS |
| 72 | 1 | Washer, 3/8" Dia., SS |

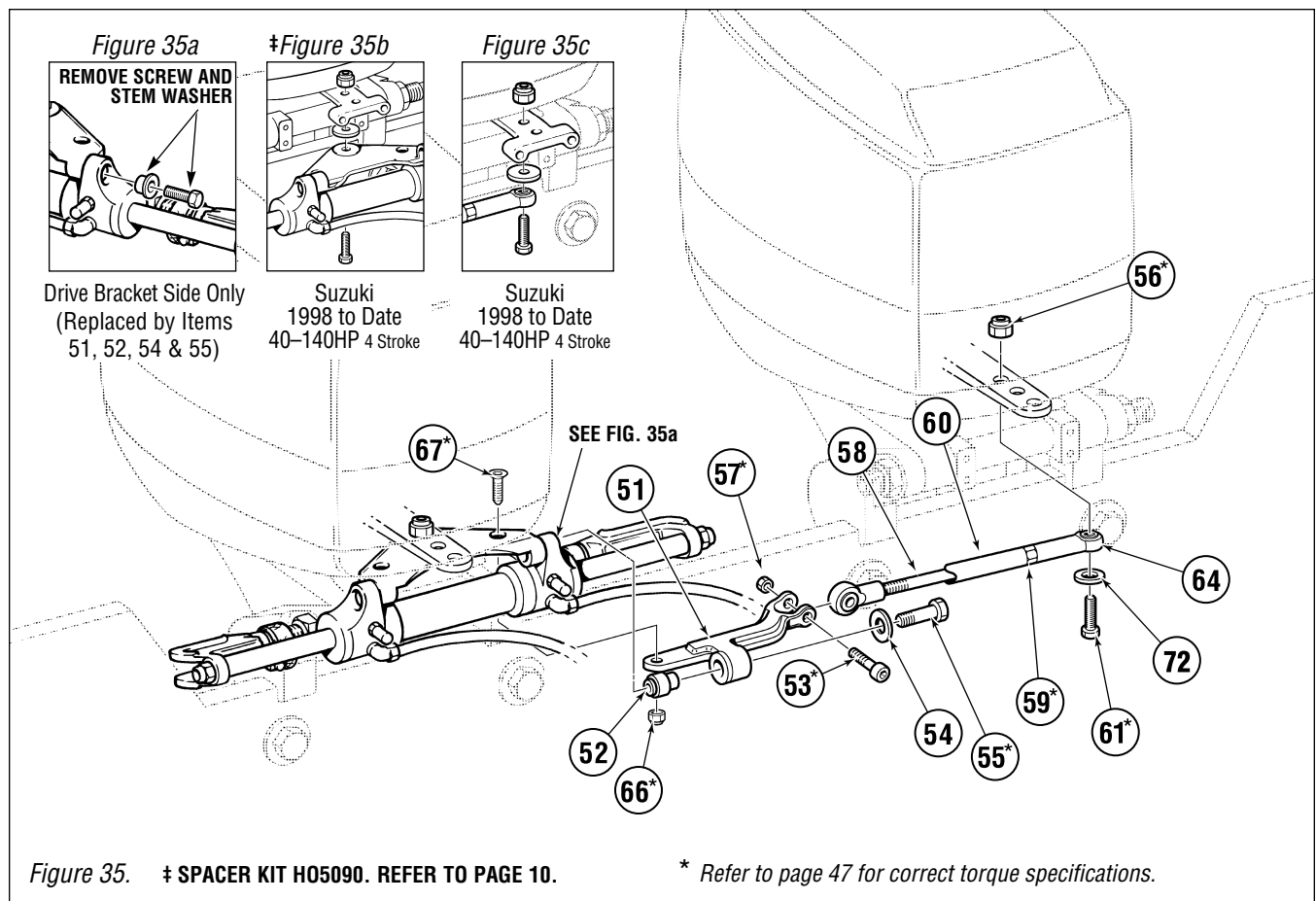
▲ WARNING The steering equipment noted below is for use in boats that are used in a 'normal' fashion. For ALL performance orientated, or, any boat that is rigged with engines that exceed 300HP per engine, SeaStar Solutions recommends the use of the Tournament Type Steering Cylinders and Tie bars. If you have any questions in regards to your installation, please contact SeaStar Solutions. Refer to page 47 for correct torque specifications of all installation hardware.

INSTALLATION INSTRUCTIONS

TWIN ENGINES

HO6003-Single Cylinder Tie Bar Kit, Suzuki

| ENGINE MANUFACTURER | YEAR | MODEL | CYLINDER | ENGINE TIE BAR KITS | | NOTES |
|---------------------|--------------|-----------------------|-------------------------------|---------------------|---------------|--|
| | | | | SINGLE CYL | DUAL CYL | |
| SUZUKI | 1986 TO DATE | 100 HP | HC5345-3 | HO6003 | HO6002 | NOT 1996 Req. 2 x Spacer Kit HO5090 fig. 35b & 35c |
| | 1986 TO 2002 | 115-140 HP | HC5345-3 | HO6001 | HO6002 | |
| | 1986 TO DATE | 150-300 HP 2&4 Stroke | HC5345-3 | HO6003 | HO6002 | |
| | 1996 ONLY | 115-140 HP | HC5348-3 | HO6001 | HO6002 | |
| | 1998 TO DATE | 40-140 HP 4 Stroke | HC5358-3 | HO6003 | HO6002 | |
| | 2003 TO DATE | 90 HP 4 Stroke | HC5358-3 | HO6003 | HO6002 | |
| | 2013 TO DATE | DF150-DF175 HP | HC5345-3 | HO6001 | HO6002 | |
| | 2017 TO DATE | DF350 4.4L V6 | Must Use Tournament Cylinders | | | |



| ITEM | QTY | DESCRIPTION |
|------|-----|----------------------------------|
| 51 | 1 | Drive Bracket Assembly |
| 52 | 1 | Spacer |
| *53 | 1 | Shoulder Bolt, 3/8" x 1-1/4", SS |
| 54 | 1 | Washer 5/16" Flat 3/4", SS |
| *55 | 1 | HHCS 5/16" NC x 2-1/2", SS |
| *56 | 1 | Nut, Nylok®, 3/8" NF, SS |
| *57 | 1 | Nut, Nylok®, 5/16" NC, SS |
| 58 | 1 | Tie bar c/w Ball Joint (HO6003) |

| ITEM | QTY | DESCRIPTION |
|------|-----|--------------------------------------|
| *59 | 1 | Nut, Nylok® 1/2" NF, Ni plated brass |
| 60 | 1 | Stringer Tube |
| *61 | 1 | HHCS, 3/8" NF x 1-1/2", SS |
| 64 | 1 | Rod End SS 1/2" NF |
| *65 | 1 | Nut, Nylok®, 3/8" NF, SS |
| *66 | 1 | Nut, Nylok®, 5/16" NC, SS, Thin |
| *67 | 1 | FHSCS, 5/16" NC x 3/4", SS |
| 72 | 1 | Washer, 3/8" Dia., SS |

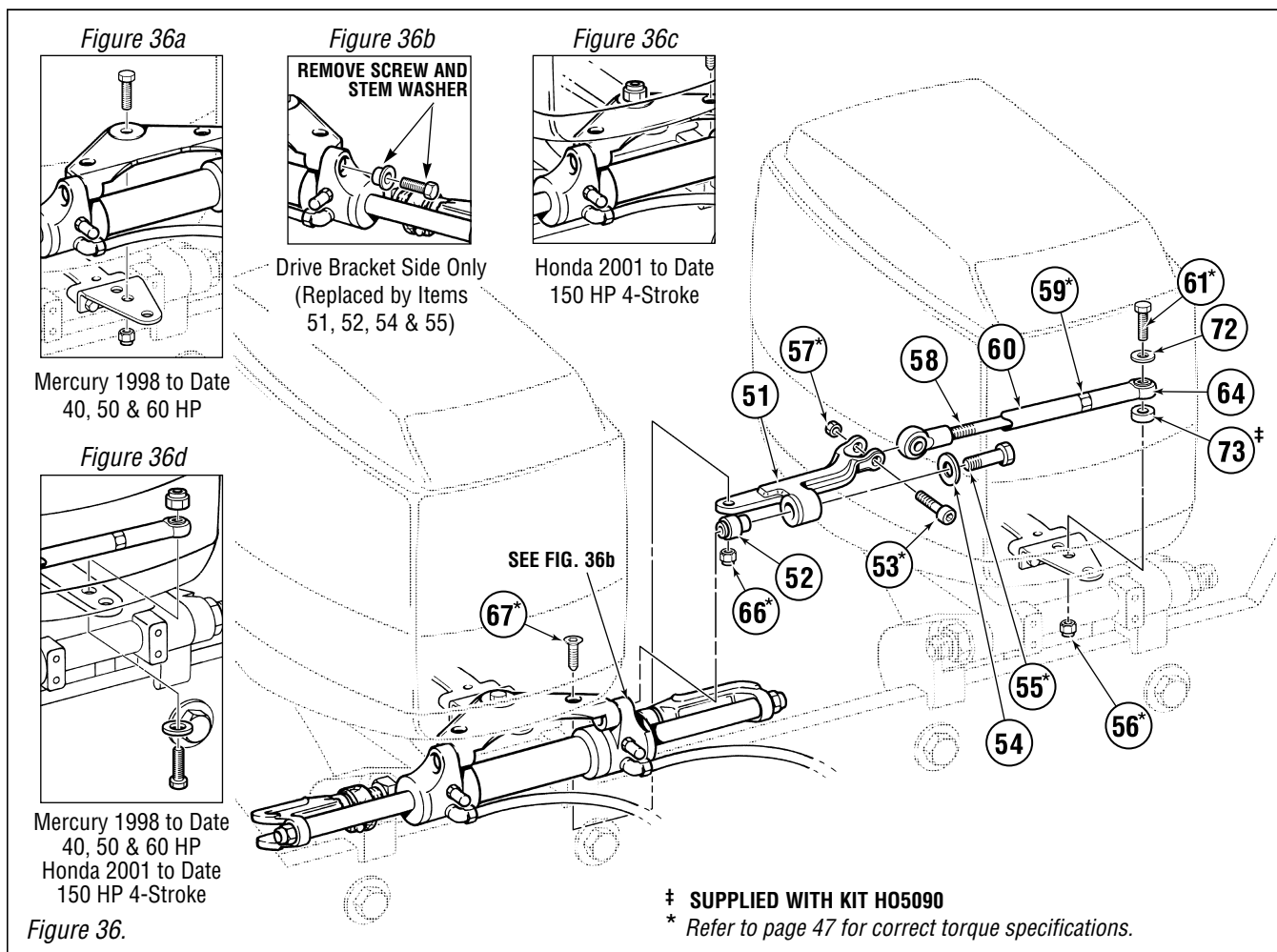
INSTALLATION INSTRUCTIONS

TWIN ENGINES

⚠ WARNING The steering equipment noted below is for use in boats that are used in a 'normal' fashion. For ALL performance orientated, or, any boat that is rigged with engines that exceed 300HP per engine, SeaStar Solutions recommends the use of the Tournament Type Steering Cylinders and Tie bars. If you have any questions in regards to your installation, please contact SeaStar Solutions. Refer to page 47 for correct torque specifications of all installation hardware.

HO6003-Single Cylinder Tie Bar Kit, Mercury

| ENGINE MANUFACTURER | YEAR | MODEL | CYLINDER | ENGINE TIE BAR KITS | | NOTES |
|---------------------|------------------------------|--------------------------------|----------------------|--------------------------------|------------------|---------------------|
| | | | | SINGLE CYL. | DUAL CYL. | |
| MERCURY | 1998 TO DATE | 40, 50 & 60 HP 2 & 4 Stroke | HC5345-3 | HO6003 | HO6002 | Requires Kit HO5090 |
| HONDA | 2001 TO DATE 2010 TO DATE | 150 HP 4 Stroke 115-150 HP | HC5345-3 HC5345-3 | HO6003 HO6003 | HO6002 HO6002 | See fig. 36c & 36d |



| ITEM | QTY | DESCRIPTION |
|------|-----|--------------------------------------|
| 51 | 1 | Drive Bracket Assembly |
| 52 | 1 | Spacer |
| *53 | 1 | Shoulder Bolt, 3/8" x 1-1/4", SS |
| 54 | 1 | Washer 5/16" Flat 3/4", SS |
| *55 | 1 | HHCS 5/16" NC x 2-1/2", SS |
| *56 | 1 | Nut, Nylok®, 3/8" NF, SS |
| *57 | 1 | Nut, Nylok®, 5/16" NC, SS |
| 58 | 1 | Tie bar c/w Ball Joint (HO6003) |
| *59 | 1 | Nut, Nylok® 1/2" NF, Ni plated brass |

| ITEM | QTY | DESCRIPTION |
|------|-----|---------------------------------|
| 60 | 1 | Stringer Tube |
| *61 | 1 | HHCS, 3/8" NF x 1-1/2", SS |
| 64 | 1 | Rod End SS 1/2" NF |
| *65 | 1 | Nut, Nylok®, 3/8" NF, SS |
| *66 | 1 | Nut, Nylok®, 5/16" NC, SS, Thin |
| *67 | 1 | FHSCS, 5/16" NC x 3/4", SS |
| 72 | 1 | Washer, 3/8" Dia., SS |
| †73 | 1 | 1/8" SS Spacer |

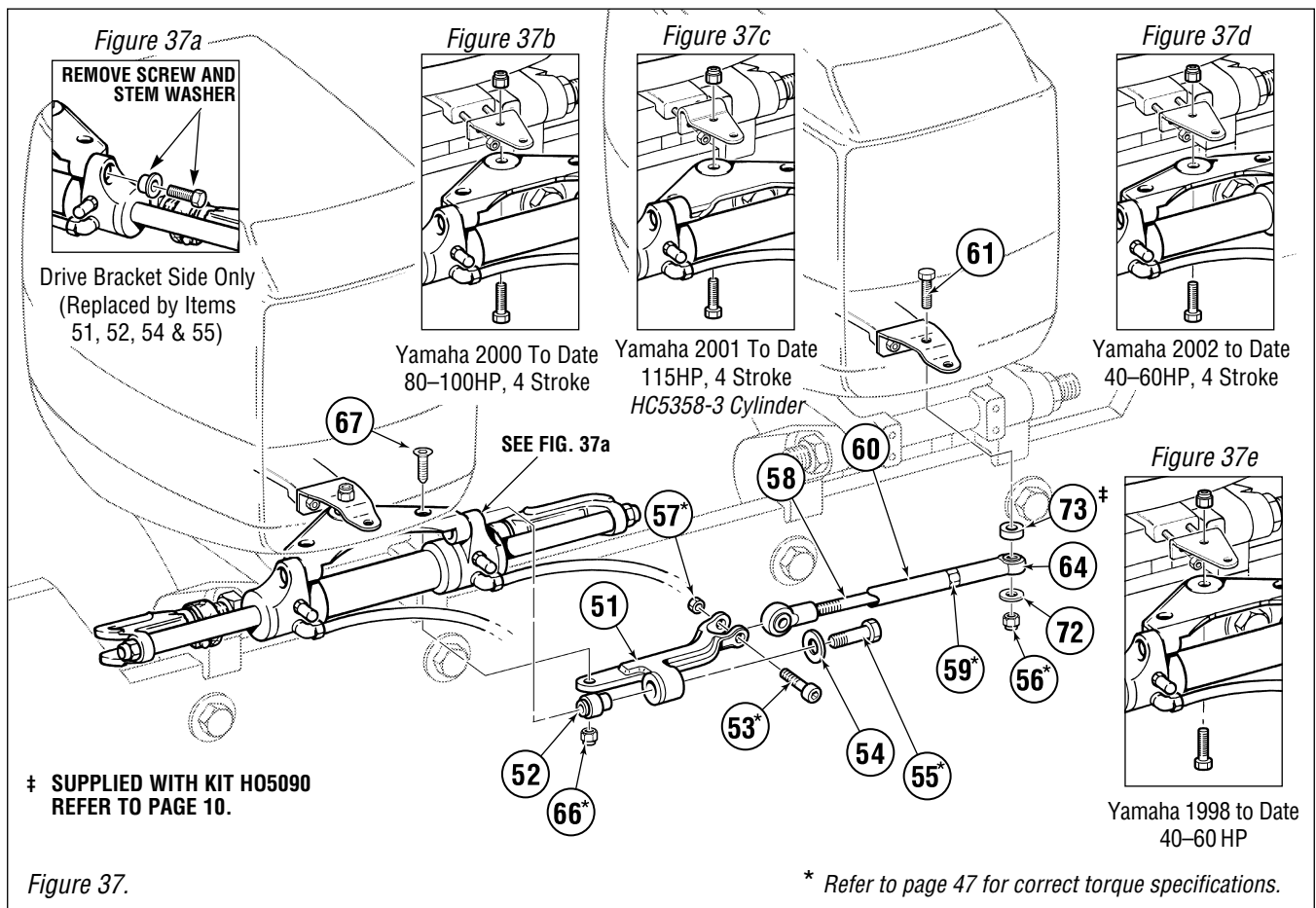
▲ WARNING The steering equipment noted below is for use in boats that are used in a 'normal' fashion. For ALL performance orientated, or, any boat that is rigged with engines that exceed 300HP per engine, SeaStar Solutions recommends the use of the Tournament Type Steering Cylinders and Tie bars. If you have any questions in regards to your installation, please contact SeaStar Solutions. Refer to page 47 for correct torque specifications of all installation hardware.

INSTALLATION INSTRUCTIONS

TWIN ENGINES

H06003-Single Cylinder Tie Bar Kit, Yamaha

| ENGINE MANUFACTURER | YEAR | MODEL | CYLINDER | ENGINE TIE BAR KITS | | NOTES |
|---------------------|--------------|---------------------|----------|---------------------|----------|--|
| | | | | SINGLE CYL | DUAL CYL | |
| YAMAHA | 1998 TO DATE | 40-50 HP | HC5345-3 | H06003 | H06002 | See fig. 37e |
| | 1998 TO DATE | 60 HP | HC5345-3 | H06003 | H06002 | Req. 2 x Spacer Kit H05090. See fig. 37e |
| | 1998 TO DATE | 70-90 HP | HC5345-3 | H06003 | H06002 | Req. 2 x Spacer Kit H05090. |
| | 1998 TO DATE | 80-100 HP | HC5345-3 | H06003 | H06002 | See fig. 37b |
| | 1998 TO DATE | 115 HP 4 Stroke | HC5358-3 | H06003 | H06002 | See fig. 37c |
| | 2002 TO DATE | 40-60HP 4 Stroke | HC5348-3 | H06003 | H06002 | Req. 2 x Spacer Kit H05090. See fig. 37d |



| ITEM | QTY | DESCRIPTION |
|------|-----|--------------------------------------|
| 51 | 1 | Drive Bracket Assembly |
| 52 | 1 | Spacer |
| *53 | 1 | Shoulder Bolt, 3/8" x 1-1/4", SS |
| 54 | 1 | Washer 5/16" Flat 3/4", SS |
| *55 | 1 | HHCS 5/16" NC x 2-1/2", SS |
| *56 | 1 | Nut, Nylok®, 3/8" NF, SS |
| *57 | 1 | Nut, Nylok®, 5/16" NC, SS |
| 58 | 1 | Tie bar c/w Ball Joint (H06003) |
| *59 | 1 | Nut, Nylok® 1/2" NF, Ni plated brass |

| ITEM | QTY | DESCRIPTION |
|------|-----|---------------------------------|
| 60 | 1 | Stringer Tube |
| *61 | 1 | HHCS, 3/8" NF x 1-1/2", SS |
| 64 | 1 | Rod End SS 1/2" NF |
| *65 | 1 | Nut, Nylok®, 3/8" NF, SS |
| *66 | 1 | Nut, Nylok®, 5/16" NC, SS, Thin |
| *67 | 1 | FHSCS, 5/16" NC x 3/4", SS |
| 72 | 1 | Washer, 3/8" Dia., SS |
| †73 | 1 | 1/8" SS Spacer |
| †74 | 1 | Spacer (For use with 90HP only) |

INSTALLATION INSTRUCTIONS

TWIN ENGINES

WARNING Refer to page 47 for correct torque specifications of all installation hardware.

NOTICE SeaStar Solutions is no longer manufacturing engine extension plates for any engine built after 2004. Please see pages 14–33 for cylinder and tiebar part numbers.

For HC5347-3 Cylinder Installation **ONLY**

| ENGINE MANUFACTURER | YEAR | MODEL | CYLINDER | ENGINE ADAPTER PLATES | | | NOTES |
|---------------------|--------------|------------|----------|-----------------------|------------------|------------------|-------|
| | | | | SINGLE | TWIN c/w tie-rod | TWIN w/o tie rod | |
| HONDA | 1998 TO 2010 | 115-130 HP | HC5347-3 | NOT REQ. | H05063 | H05064 | |

Figure 38.

NOTICE
Port Installation Only

WARNING
Cylinder interference may occur if installed on transom exceeding Maximum recommended Transom Thickness 2-3/4" causing property damage and or personal injury.

WARNING
The top corners of the Tab Washer (item 54) must be folded against the flats of the Hex Bolt after bolts are tightened.

WARNING
If interference occurs between hose elbow or tee fitting, SeaStar Solutions recommends:
1. Remove the fitting from the cylinder body.
2. Clean threads of fitting and re-apply Loctite® with PST. Thread the fitting back into the port and refer to page 47 for correct torque specifications. Adjust fitting to desired angle.
If interference re-occurs please contact SeaStar Solutions (ref. rear cover for contact info.).
* Refer to page 47 for correct torque specifications.

WARNING
Fully tilting or independent tilting of the engine/engines may cause the steering cylinder to interfere with the transom and/or splashwell. Possible damage to the steering system can result. Ensure that the cylinder is free from interference at all times. Maximum Transom thickness 2-3/4"

| ITEM | QTY | DESCRIPTION |
|------|-----|---------------------------------|
| 51 | 2 | Extension Plate |
| *52 | 2 | Nut 3/8" NF Nylok® |
| 53 | 4 | Washer 3/8" dia. |
| 54 | 4 | Locking Tab Washer |
| *55 | 4 | Screw M10 x 1.25 x 62 mm HHCS |
| *56 | 2 | Screw 3/8" NF x 2-1/4" HHCS, SS |
| 57 | 1 | Stringer Tube |

| ITEM | QTY | DESCRIPTION |
|------|-----|-----------------------------|
| 58 | 1 | Threaded Rod c/w Ball Joint |
| 59 | 1 | Nut 1/2" NF Nylok® |
| 61 | 2 | Ball Joint |
| 62 | 2 | Spacer |

FILLING AND PURGING THE SYSTEM

Read First

NOTICE

If system is fitted with SeaStar Power Assist, please refer to your Power Assist Installation Manual for bleeding instructions.

These instructions show how to fill and purge a Single Station Front Mount Cylinder System. For twin station and/or twin cylinder filling and purging instructions refer to instructions on page 41 first and then proceed with instructions on this page.

This procedure requires two people. One person may not be able to remove all the air from the system which will result in spongy, unresponsive steering.

During the entire filling procedure, oil **must** be visible in the filler tube. **DO NOT** allow the oil level to disappear into the helm pump, as this may introduce air into the system and increase your filling time.

NOTICE

If using a Liquid Tie bar Valve, part # HA5471-2, please refer to the bleeding instructions included with the liquid tie bar valve.

Hydraulic Oil Requirements

2 bottles (2 quarts or liters) for single station and single cylinder systems.
1 additional bottle for each additional helm, cylinder, or auto pilot.

NOTICE

Oil can be re-used if filtered through a fine mesh screen such as used for gasoline. If unable to filter oil, an additional bottle of oil is required.

NOTICE

“Bleeder” may refer to cylinders fitted with bleed tee fittings or bleed screws. If fitted with bleed tee fitting, open bleeder by unscrewing bleed nipple nut two turns.

NOTICE

Filling the helm full of oil can be done faster if oil is poured into the helm prior to connecting filler tube and oil bottle to the helm. Part # HA5438.

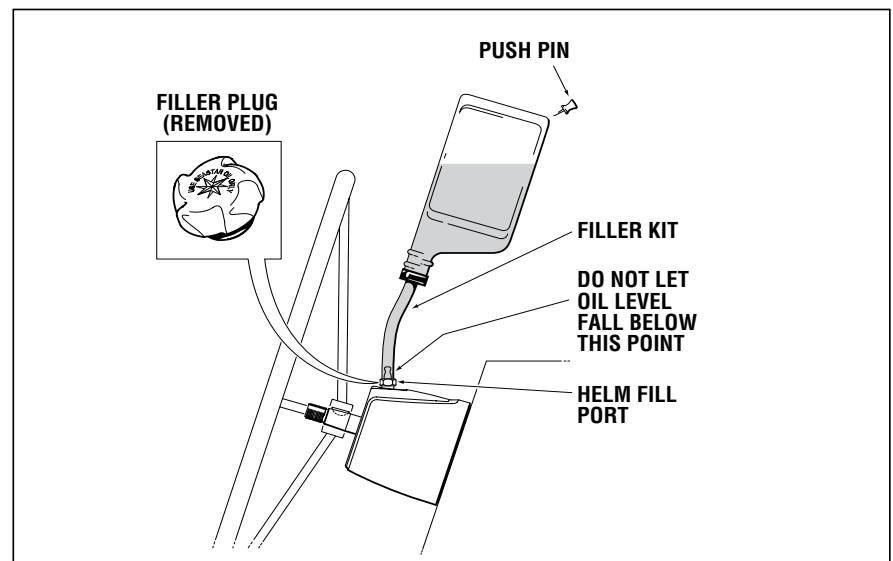


Figure 39. Optional Filler Kit Part # HA5438

NOTICE

In the following pages you are instructed to hold cylinder body with your hand, if the cylinder is mounted to an engine, use the engine to hold the body in position.

FILLING AND PURGING

HYDRAULIC FLUID

Hydraulic Fluid

⚠ WARNING

ANY NON-APPROVED FLUID MAY CAUSE SERIOUS DAMAGE TO THE STEERING SYSTEM RESULTING IN POSSIBLE LOSS OF STEERING, CAUSING PROPERTY DAMAGE, PERSONAL INJURY AND/OR DEATH.

Due to recent upgrades in our steering system components, SeaStar Solutions recommends use of SeaStar Steering Fluid **ONLY** in our hydraulic steering systems. SeaStar Steering Systems have been engineered and validated using our proprietary SeaStar Hydraulic Steering Fluid. SeaStar Steering fluid is engineered with a special additive package that contains anti-foaming and anti-rusting agents, anti-oxidants, viscosity stabilizers, corrosion inhibitors, wear additives as well as water emulsification additives. It is highly recommended that SeaStar Steering Fluid be used to ensure optimum system performance and safety.

Use of any non-approved fluid may result in the following;

- higher steering effort, particularly at ambient or lower temperatures and/or over time due to oil degradation and breakdown
- increased steering slip and/or drift resulting in lost motion
- foaming or air entrapment causing a bumpy feel during steering
- high rates of moisture absorption causing internal component corrosion
- scratched steering cylinder bores and shafts due to contamination or elevated wear rates
- seal degradation – incompatibility with various proprietary seal compounds used in our products.

In an emergency, SeaStar EPS Fluid, any MD-3/4 rated ATF or MIL-PRF-5606H equivalent fluid that is filtered through a fine mesh screen can be used. The system **MUST** be thoroughly flushed as soon as possible with genuine SeaStar Steering Fluid after using an emergency fluid.

In an **EXTREME** emergency, any non-toxic, non-flammable fluid that is filtered through a fine mesh screen may provide temporary steering.

Use of non-standard fluids will require an immediate and complete system flush using approved fluids, by an approved steering technician.

⚠ WARNING

NEVER FILL OR MIX BRAKE FLUIDS, TRIGYCIDES OR POLYALKYLENE GLYCOLS WITHIN A HYDRAULIC STEERING SYSTEM.

NOTICE

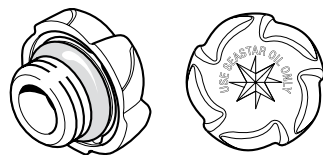
SeaStar Hydraulic Steering Fluid can be used in Hynautic, BayStar and BayStar Plus steering systems.

NOTICE

Help protect your boating environment by ensuring that all used oil is disposed of properly.

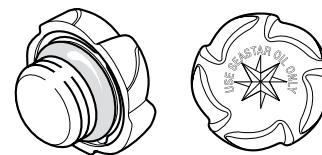
Fill Plugs for SeaStar Helms

VENT PLUG - Part No. HP6126



- SUPPLIED WITH SEASTAR HELM PUMP**
- MUST BE USED WITH HELM PUMP ON ALL SINGLE STEERING STATION SYSTEMS.
 - MUST BE USED ON UPPERMOST HELM PUMP ON MULTI STEERING STATION SYSTEMS.

NON-VENT PLUG - Part No. HP6000



- MUST BE USED ON ALL HELM PUMPS OTHER THAN UPPERMOST HELM PUMP ON MULTI STEERING STATION SYSTEMS.
- THIS NON-VENT PLUG IS SUPPLIED WITH ADDITIONAL STATION FITTING KIT NO. HF5501 AND HF5502.

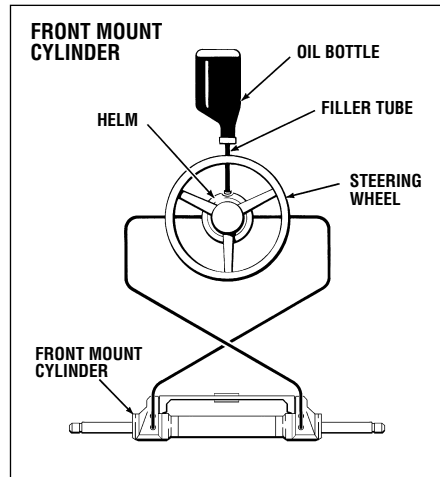
Figure 50.

Single Station One Cylinder

FILLING AND PURGING

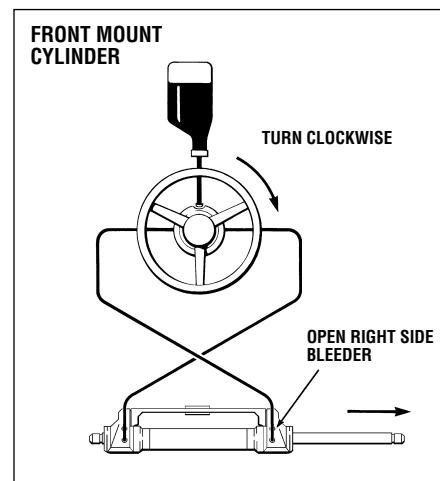
SINGLE STATION

Step 1



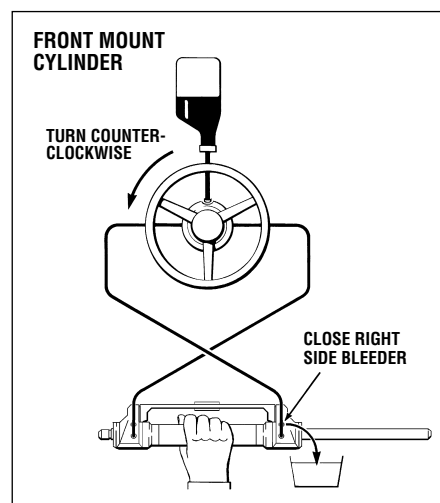
- Screw the threaded end of the filler tube into the helm filler port.
- Remove the cap from the oil bottle and holding upright screw into the filler tube bottle cap. Poke hole in the bottom of the bottle.
- Fill the helm pump full of hydraulic oil so that it is visible in the filler tube. Oil should always be visible in the filler tube. Use the next bottle of fluid at any time during the procedure in order to maintain the oil level. **DO NOT** proceed with step two until helm is full.

Step 2



- Turn the steering wheel clockwise until the cylinder rod is fully extended on the right side of the cylinder.
- Open right side bleeder.

Step 3

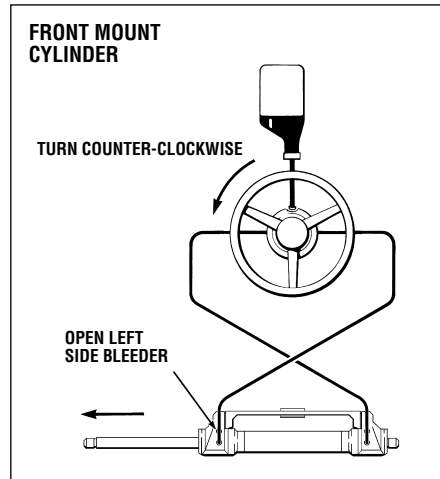


- Holding the cylinder body (Front Mount cylinder) or rod (Side Mount cylinder) to prevent the body/rod from moving, turn the steering wheel counter-clockwise until a steady stream of air free oil comes out of the bleeder. (Drain approx. 1/2 bottle of oil or as required).
- DO NOT use anything other than your hands to restrain the cylinder body/rod.**
- While continuing to turn the wheel close the right side bleeder and let go of the cylinder body/rod.

FILLING AND PURGING

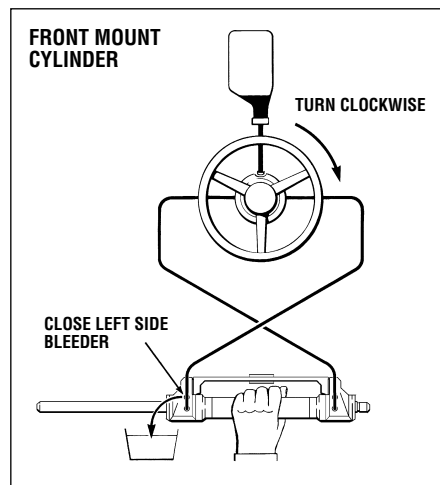
SINGLE STATION

Step 4



- Continue turning the steering wheel counter-clockwise until the cylinder rod is fully extended to the left. (Steering wheel will come to a stop).
- Open the left bleeder.

Step 5



- Holding the cylinder body (Front Mount cylinder) or rod (Side Mount cylinder) to prevent the body/rod from moving, turn the steering wheel clockwise until a steady stream of air free oil comes out of the bleeder.
- While continuing to turn the wheel close the left side bleeder and let go of the cylinder body/rod.

⚠ CAUTION

Prior to operating system, perform Oil Level System Check, refer to page 42.

Number of Steering Wheel Turns

When steering system has been properly bled, steering wheel turns from hard over to hard over will be as shown in the chart.

| Helm Displacement | Single Cylinder | Twin Cylinder with Mechanical Tiebar | Twin Cylinder with Liquid Tiebar |
|-------------------|-----------------|--------------------------------------|----------------------------------|
| 1.4 | 5.90 | 11.8 | 5.90 |
| 1.7 | 4.90 | 9.76 | 4.90 |
| 2.0 | 4.15 | 8.30 | 4.15 |
| 2.4 | 3.45 | 6.90 | 3.45 |
| 3.0 | 2.76 | 5.50 | 2.76 |

Twin Station Single Cylinder

FILLING AND PURGING

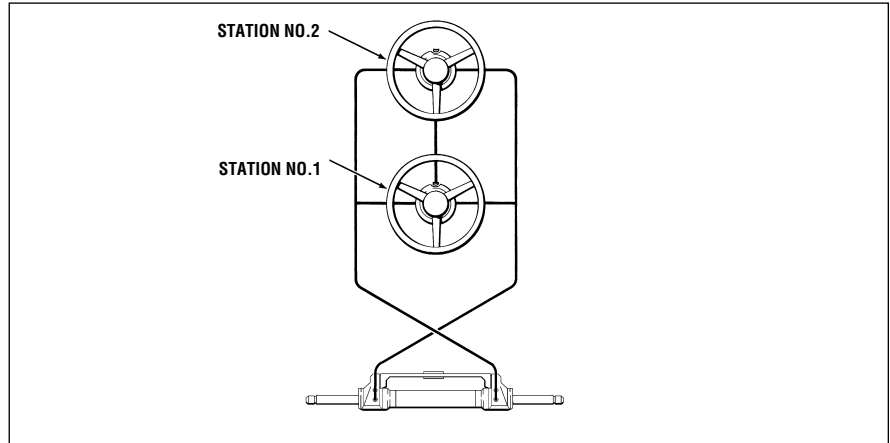
TWIN STATION

Perform steps 1 through 5 at station no. 1. Then repeat steps 1-5 at station no. 2.

Oil requirements 4-5 bottles.

Note: Refer to Oil Level and System Check page 42.

When properly bled, steering wheel turns will be as shown in the chart.

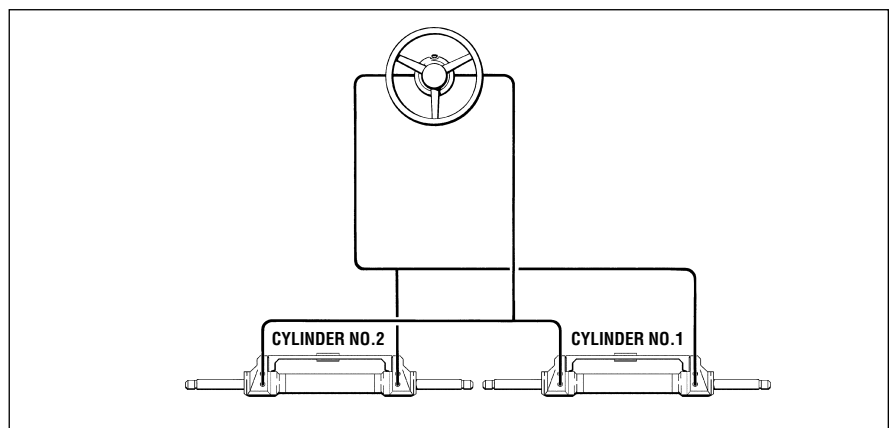


Single Station Twin Cylinder

When performing steps 1 through 5, perform instructions in each step first on cylinder no. 1 and then on cylinder no. 2, before proceeding to the next step. ie: Perform instructions referring to right side of cylinder first on cylinder no. 1 and then on cylinder no. 2.

Oil requirements 4-5 bottles.

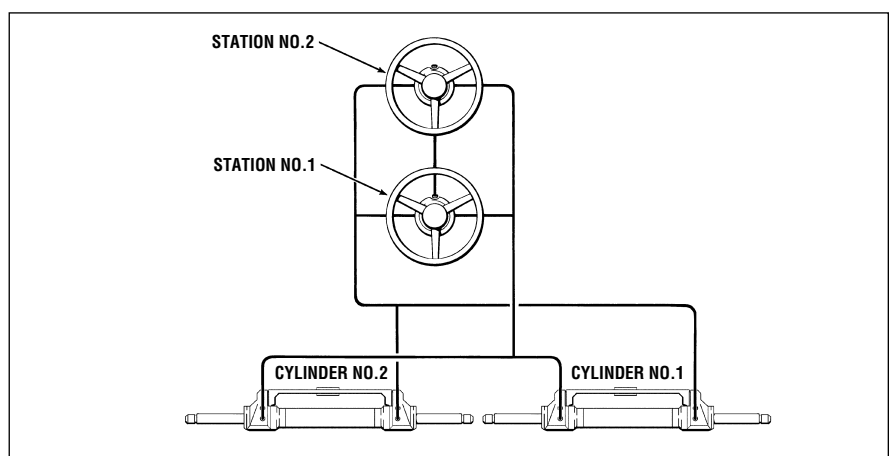
Note: Refer to Oil Level and System Check on page 42. Steering wheel turns will be as shown in the chart.



Twin Station Twin Cylinder

Follow same procedure as instructed for single station-twin cylinders, beginning at station no. 1, and repeat entire procedure at station no. 2.

Note: When properly bled, steering wheel turns will be as shown in the chart.



Oil Level and System Check

Step 1 – Oil level Setting

⚠ WARNING The oil level **MUST** be checked and maintained **BEFORE** EACH use to ensure safe steering operation. Failure to adhere to this warning may lead to loss of steering control resulting in persons being ejected from vessel or collision with an obstacle, leading to property damage, personal injury and/or death.

- For helms mounted with the wheel shaft completely horizontal **MUST** be filled to the bottom of filler hole **AT ALL TIMES**. **DO NOT** allow oil level to drop more than 1/4" below filler threads.
- For helms mounted on a 20 degree angle, or, with wheel shaft in the vertical position, oil level should be within 1/2" from the bottom of the filler hole.

NOTICE

*If the helm is overfilled fluid **WILL** leak out of the vent cap.*

Step 2 – System Check

⚠ WARNING The system check **MUST** be completed after installation. Doing so will ensure the safe operation of your steering system and will any fault/leak will show at this time. Failure to adhere to this warning/check may result in the loss of steering control leading to ejection from the vessel, or, collision with an obstacle resulting in property damage, personal injury and/or death.

- Turn steering wheel hard over to hard over to confirm unrestricted movement of the steering system and hoses. Repeat this procedure in ALL trim/tilt positions of the engine(s). If interference occurs, or, hoses are being stretched this **MUST** be removed prior to operating your boat.
- Confirm that engine(s) are deflecting to the proper direction when steering wheel is turned.
- If no interference is noticed, or, any interference is corrected, go to next step.
- Take steering wheel hard over to starboard (any helm can be used on a multi-station boat). Once the wheel reaches its stop point (cylinder is fully stroked out), continue to force the wheel one (1) full turn past stop. Leave wheel in this position while you check all PORT side connections, fittings, seals and hoses for leaks.

NOTICE *This step will NOT harm the system and any noise made during this step should not be considered a fault in the steering system.*

- If leaks are noticed they **MUST** be repaired prior to operating boat. After repair repeat bleeding procedures as outlined in this manual
- Repeat to the Port direction and inspect ALL starboard side connections, fittings, seals and hoses for leaks.

NOTICE *This step will NOT harm the system and any noise made during this step should not be considered a fault in the steering system.*

- If leaks are noticed they **MUST** be repaired prior to operating boat. After repair repeat bleeding procedures as outlined in this manual.

⚠ WARNING

Failure to complete the above noted step or, failure to correct a problem may result in loss of steering control leading to ejection from the vessel or collision with an obstacle resulting in property damage, personal injury and/or death.

ROUTINE MAINTENANCE

⚠ WARNING

Following the routine maintenance schedules as outlined below, in the time frame noted will ensure years of service from your SeaStar Steering System, as well as keep you and your passengers safe from the dangers that are present on and off the water.

1. Owner(s) (End Users)

Prior to every use.

1. Check Fluid level in highest helm pump (see page 37 for proper fluid level setting).
2. Verify immediate steering response when turning steering wheel(s). (Ensure engine turns when steering wheel is turned.)
3. Visually inspect all steering hoses and fittings for wear, kinking and/or leaks.
4. Check for binding, loose, worn or leaking steering components.

⚠ WARNING

DO NOT operate boat if any component is not in proper working condition.

2. Qualified Marine Mechanic

After first 20 hours, then every 100 hours or 6 months thereafter (which ever comes first).

1. All points noted above.
2. Check tightness of ALL fasteners/fittings throughout the steering system. Tighten to correct torque specifications as required.
3. Check for mechanical play or slop throughout steering system, correct as required.
4. Check for signs of corrosion. If corrosion is present contact your dealer or SeaStar Solutions.

After every 200 hours or 12 months (which ever comes first).

1. All points noted above.
2. Remove support rod from engine steering/tilt tube. Clean engine steering/ tilt tube and re-grease using a good quality marine grease.
3. Grease support rod liberally
4. Grease all contact points shown in figure 51. DO NOT remove tiller bolt to re-grease.
5. Remove steering wheel and re-grease wheel shaft using a good quality marine grease.
6. Inspect hydraulic oil for cleanliness, flush if required.

⚠ WARNING

Any work being performed with the steering system **MUST** be completed by a qualified mechanic with the working knowledge of the system.

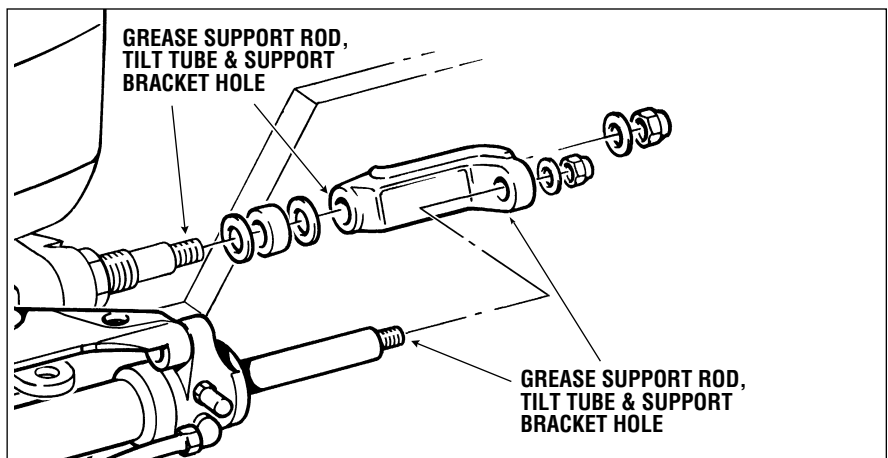


Figure 51.

SeaStar Power Purge JR.

Part# HA5445-2

SeaStar®/BayStar™ Power Purge Jr. is the quickest way to bleed a SeaStar®/ BayStar™ system in the field and assure a rock-solid steering feel every time!

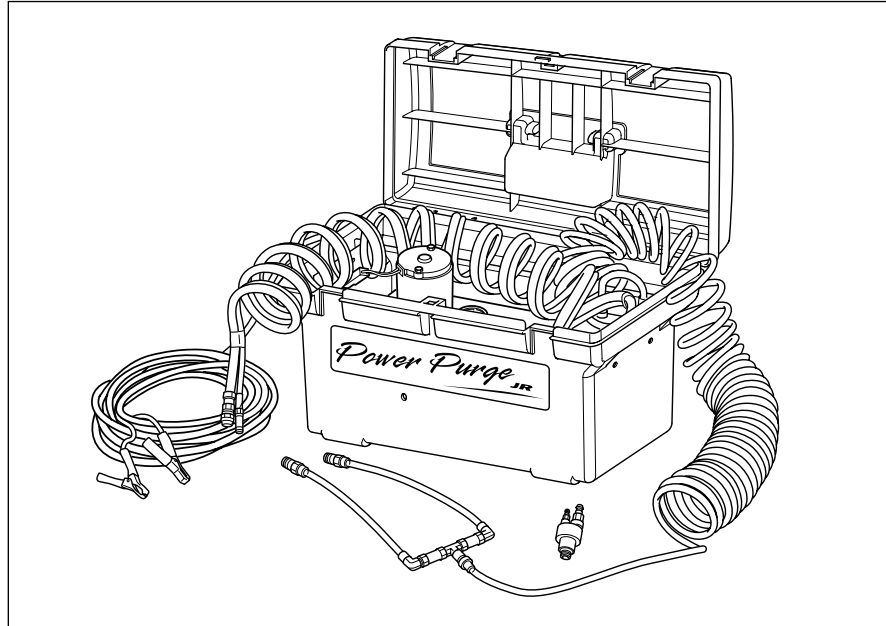


Figure 53.

Advantages:

- Steering feel is solid every time
- Complete Fill & Purge in 10 minutes or less
- Fast and efficient
- Easy to operate
- Screens contaminants from oil
- Quick connect fittings
- Convenient portable size
- Convenient electrical hook-up utilizing 12 volt boat battery
- Optional Dual Cylinder Purging Kit HA5461 available
- Optional 50' Hose Extension Kit HA5462, for longer runs

TROUBLESHOOTING GUIDE

If properly installed and maintained, your SeaStar Steering System will provide years of safe and reliable performance. Our systems have been designed with protection against over-pressure situations by a pressure relief valve. Most faults occur when installation instructions have not been followed and in most cases will present themselves immediately upon filling the system. Below are the most common faults and their likely cause and solution. Extreme caution must be exercised when diagnosing and correcting a fault. These troubleshooting guides may seem simple in text, however these **MUST** be completed by a qualified marine mechanic that has working knowledge of the steering system.

WARNING

SeaStar Solutions does NOT recommend disassembly of a helm pump, or, removing a steering cylinder rod/shaft at any time. Doing so may cause more damage, leading to irreparable damage and costly replacements.

| FAULT | CAUSE | SOLUTION |
|--|---|---|
| 1. During filling, helm becomes completely locked up. | <ul style="list-style-type: none">• Mechanical interference with other components.• Blockage in the steering lines.• Tilting mechanism not installed properly.• Engine(s) are restricted.• Power Assist H1, or H2 line crossed with R line. | <ul style="list-style-type: none">• Check ALL areas for interference, correct as required.• Remove all steering lines. Blow air through lines. Any line not allowing good air flow may should be replaced.• Confirm tilt mechanism is installed correctly.• Confirm that engines are able to be moved freely with cylinder not connected.• Confirm system is plumbed correctly. |
| 2. System is very difficult to fill, air keeps burping out top of helm, even after system appears full. | <ul style="list-style-type: none">• Air remaining in system.• Bleed fitting leaking.• Coiled hose.• Reservoir/compensating lines not purged free of air. | <ul style="list-style-type: none">• Bleed steering system again utilizing bleeder fittings fitted on the steering cylinder.• Tighten bleeder, replace if leak continues.• DO NOT cut hoses. Lessen coil, or, replace with shorter lines.• Bleed air from reservoir/compensating lines. |
| 3. Steering is hard to turn even when boat is not moving and engines are OFF. | <ul style="list-style-type: none">• Adjusting nut on support rod is over tightened.• Restrictions on hoses (see Fault 1).• Mechanical interference with other components (see Fault 1).• Incorrect fluid has been used to fill system. | <ul style="list-style-type: none">• Nut should be hand-tight.• See fault 1.• See fault 1.• Drain and flush, fill and bleed with SeaStar fluid. |

TROUBLESHOOTING

GUIDE

3. Continued.

Steering is hard to turn even when boat is not moving and engines are OFF.

- Engine rigging tube is restricting engine movement.
- Damaged steering cylinder body.
- Too small of a steering hoses being used.
- Steering wheel is too small.
- Tilt bellows interference.
- Cylinder installation procedure not followed correctly.
- Cylinder mounting plate is too tight.
- Consult with Engine Installation Manual for proper rigging tube installations.
- Replace steering cylinder(s) completely.
- Remove and re-plumb system using SeaStar outboard hoses.
- Wheel should be 15" & larger (MAX 26").
- Confirm no interference with rubber tilt bellows on steering wheel hub.
- Remove cylinder, re-install as per the steps noted.
- With cylinder not connected, the plate must move UP/DOWN freely. Replace if hard to move.

4. One helm in system is very bumpy and requires too many turns.

- Air in system.
- Dirt/debris in system.
- Dirt/debris in autopilot (if fitted).
- Bleed system.
- Replace helm pump, flush system (DO NOT attempt repair of helm).
- Replace autopilot pump.

NOTICE

See page 51 for Technical Support and Authorized Service Centers information.

TECHNICAL INFORMATION

Bolt Torque Specifications

Values are stated in: **in/lbs (N.m)**

| Bolt Size | 18-8SS | Brass |
|-----------|------------|------------|
| 2-56 | 2.5 (.282) | 2.0 (.226) |
| 2-64 | 3.0 (.338) | 2.5 (.282) |
| 3-48 | 3.9 (.440) | 3.2 (.361) |
| 3-56 | 4.4 (.497) | 3.6 (.407) |
| 4-40 | 5.2 (.587) | 4.3 (.486) |
| 4-48 | 6.6 (.740) | 5.4 (.610) |
| 5-40 | 7.7 (.869) | 6.3 (.712) |
| 5-44 | 9.4 (1.06) | 7.7 (.869) |

These are the recommended maximum torque values for reusable dry bolts. Bolts should be torqued to this value +0% -20%. For lubricated bolts, multiply the dry bolt torque values by .75.

| Bolt Size | 18-8SS | Brass |
|-----------|-------------|-------------|
| 6-32 | 9.6 (1.08) | 4.9 (.554) |
| 6-40 | 12.0 (1.35) | 9.9 (1.12) |
| 8-32 | 20.0 (2.25) | 16.0 (1.81) |
| 8-36 | 22.0 (2.48) | 18.0 (2.03) |
| 10-24 | 23.0 (2.59) | 19.0 (2.14) |
| 10-32 | 32.0 (3.61) | 26.0 (2.94) |
| 1/4"-20 | 75.0 (8.47) | 62.0 (7.01) |
| 1/4"-28 | 94.0 (10.6) | 77.0 (8.70) |

| Bolt Size | 18-8SS | Brass |
|-----------|---------------|---------------|
| 5/16"-18 | 132.0 (14.91) | 107.0 (12.10) |
| 5/16"-24 | 142.0 (16.04) | 116.0 (13.11) |
| 3/8"-16 | 236.0 (26.66) | 192.0 (21.71) |
| 3/8"-24 | 259.0 (29.20) | 212.0 (23.97) |

Values are stated in: **ft/lbs (N.m)**

| Bolt Size | 18-8SS | Brass |
|-----------|--------------|--------------|
| 7/16"-14 | 31.0 (42.00) | 26.0 (35.25) |
| 7/16"-20 | 33.0 (44.74) | 27.0 (36.61) |
| 1/2"-13 | 43.0 (58.30) | 35.0 (47.45) |
| 1/2"-20 | 45.0 (61.01) | 37.0 (50.17) |
| 9/16"-12 | 57.0 (77.28) | 47.0 (63.72) |
| 9/16"-18 | 63.0 (85.42) | 51.0 (69.15) |

| Bolt Size | 18-8SS | Brass |
|-----------|----------------|----------------|
| 5/8"-11 | 93.0 (126.09) | 76.0 (103.04) |
| 5/8"-18 | 104.0 (141.00) | 85.0 (115.24) |
| 3/4"-10 | 128.0 (173.55) | 104.0 (141.00) |
| 3/4"-16 | 124.0 (168.12) | 102.0 (138.29) |
| 7/8"-9 | 194.0 (236.03) | 159.0 (215.58) |
| 7/8"-14 | 193.0 (261.67) | 158.0 (214.22) |

| Bolt Size | 18-8SS | Brass |
|-----------|----------------|----------------|
| 1"-8 | 287.0 (389.12) | 235.0 (318.62) |
| 1"-14 | 259.0 (351.16) | 212.0 (287.43) |

Cylinder

Front Mount (*Pivot, PRO Pivot, Catamaran*)

INSIDE DIAMETER

1.375" (34.93 mm)

STROKE

8" (203 mm)

Front Mount (*Pivot, PRO Pivot, Catamaran*)

VOLUME

8.34 cu. in. (136.6 cc)

TORQUE @ 1000 psi (70 Bar) H.O.

N/A

Fittings

SeaStar cylinders and all other fittings are 3/8" compression type fittings. Threads are 9/16" x 24 UNEF. A brochure on all SeaStar fittings is available from SeaStar Solutions.

SeaStar and SeaStar Pro Hose

Inside diameter – 5/16" (8 mm)

Note: *This page left blank intentionally.*

SEAL/REPLACEMENT PARTS

SEASTAR, FRONT MOUNT PIVOT CYLINDERS

Part # HC5345-3, HC5347-3, HC5348-3, HC5358-3, HC5375-3,
HC5445-3, HC6750, HC6751 and HC6345-3

Specifications

OUTBOARD USE ONLY

Volume: 8.3 cu.in.

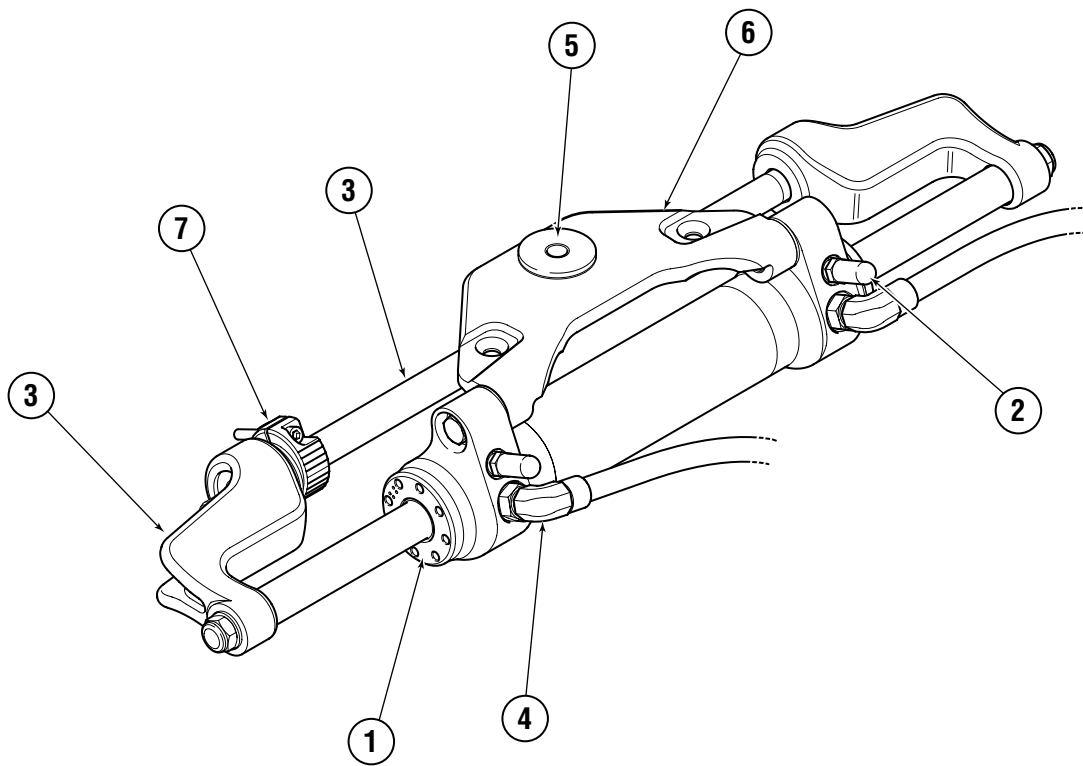


Figure 52.

| ITEM | PART # | DESCRIPTION |
|------|--------|--|
| 1 | HS5157 | Seal Kit c/w wrench, does NOT include center/internal seal |
| 2 | HF5548 | Bleeder Fittings, 2 per kit, covers NOT inc. |
| 3 | HP6014 | Support Bracket Kit (Brackets, Rod and Hardware) |
| | HP6101 | Pro Support Bracket Kit (Brackets and Hardware only) |
| | HP6111 | Pro Support Rod Kit (Rod and Hardware only) |
| 4 | HF6004 | Hose Elbow Fittings |

| ITEM | PART # | DESCRIPTION |
|------|--------|--|
| 5 | HA5829 | Tiller Bushing Kit, c/w high strength tiller bolt |
| 6 | N/A | Pivot Mount Plate (If damaged cylinder is to be replaced) |
| 7 | HP6033 | Spacer/Adjusting Nut Kit |
| 8 | HF6005 | Hose Tee Fitting (Not shown) |
| 9 | HA5477 | Grounding Strap (Not shown) |



Notes

Lined area for notes with multiple horizontal lines.

Statement of Limited Warranty

We warrant to the original retail purchaser that **Marine Canada Acquisition Inc. DBA SEASTAR SOLUTIONS** (herein forward referred to as **SeaStar Solutions**) products have been manufactured free from defects in materials and workmanship. This warranty is effective for two years from date of purchase, excepting that where **SeaStar Solutions** products are used commercially or in any rental or income producing activity, then this warranty is limited to one year from the date of purchase.

We will provide replacement product without charge, for any **SeaStar Solutions** product meeting this warranty, which is returned (freight prepaid) within the warranty period to the dealer from whom such product were purchased, or to us at the appropriate address. In such a case **SeaStar Solutions** products found to be defective and covered by this warranty, will be replaced at **SeaStar Solutions** option, and returned to the customer.

The above quoted statement is an extract from the complete **SeaStar Solutions** products warranty statement. A complete warranty policy is available in our **SeaStar Solutions** products catalogue.

Return Goods Procedure

Prior to returning product to **SeaStar Solutions** under warranty, please obtain a *Return Goods Authorization number* (claim number).

Be sure to label the goods with:

- a) the name and address of the sender, and
- b) the return goods authorization number (claim number)

Please address the returned goods as follows:

From U.S.A.

RGA # ?
SeaStar Solutions
c/o UPS-SCS
19308 70th Ave S.
Kent, WA 98032

From Canada

RGA # ?
SeaStar Solutions
3831 No. 6 Road
Richmond, B.C.
Canada V6V 1P6

Technical Support

Phone: 604-248-3858
email: seastar@seastarsolutions.com
Hours: Monday - Friday 05:00 – 15:30 PST
Web: www.seastarsolutions.com

Authorized Service Centers & Distributors

For a current listing of all our authorized service centers and distributors please visit our website: www.seastarsolutions.com

© 2014 MARINE CANADA ACQUISITION INC.
DBA SEASTAR SOLUTIONS

PRINTED IN CANADA 02/18

Please scan
this QR code
and watch our
latest **Boating
Safety** video.



SEASTAR SOLUTIONS
3831 NO.6 ROAD
RICHMOND, B.C.
CANADA V6V 1P6

FAX 604-270-7172

www.seastarsolutions.com

ISO 10592



FORM NO. 929784 REV. G

