

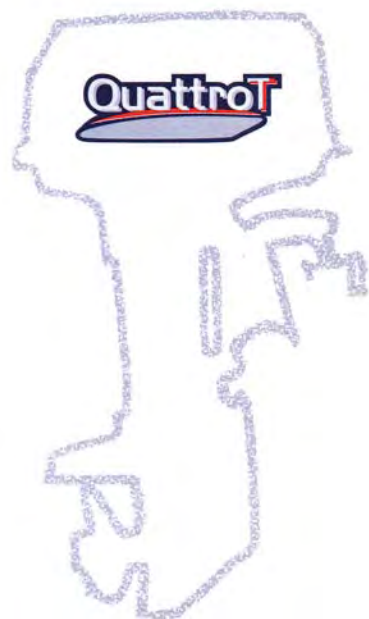
Aruana 40

Production year 2019

Production année 2019

PARTS CATALOGUE

CATALOGUE DE PIÈCES DÉTACHÉES



ENGINE STARTING SERIAL NUMBER: 1067572



FOREWORD

This Parts Catalogue is related to the parts for the model(s) on the cover page. When you are ordering replacement parts, please refer to this Parts Catalogue and quote both part numbers and part names correctly.

1. Modifications or additions which have been made after the issue of the Parts Catalogue will be announced in the Parts News.
It is advisable that you make the necessary corrections to the Parts Catalogue according to the Parts News.

2. Abbreviations

The following abbreviations are used in this Parts Catalogue.

“UR” Use specified parts number.

“UN” Use as many as needed.

“AP” Alternate Parts

“LM” Locally Made (Parts need to be ordered locally)

“F#” Frame No. (Applicable machine No.)

“O/S” Over Size

3. The number of components for assembly

- Parts, which are to be supplied in an assembly, are listed with a dot (.) in front of the part name as shown below.
- The numeral appearing to the right of each component part indicates the quantity of parts for each assembly unit.

| PART NO. | DESCRIPTION | Q'TY | REMARKS |
|--------------|--------------------------|------|---------|
| 2F5-83310-60 | FRONT FLASHER LIGHT ASSY | 2 | |
| 115-83311-60 | .BULB (6V-18W) | 1 | |

4. Applicable colours of graphics are represented in the “REMARKS” as shown below.

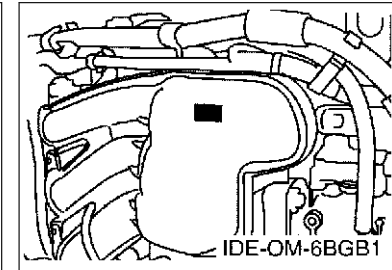
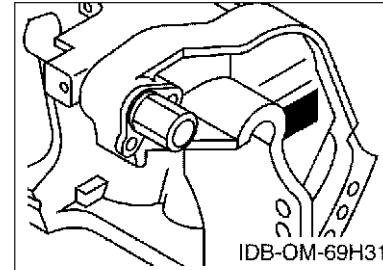
| PART NO. | DESCRIPTION | Q'TY | REMARKS |
|-----------------|---------------------|------|---------|
| 2N4-24110-00-X5 | FUEL TANK COMP. | 2 | MXR |
| 3J1-24240-10 | .GRAPHIC, FUEL TANK | 1 | FOR MXR |

5. Note that the illustrations for reference in finding parts numbers are not to be used for assembling. When assembling, please use the applicable service manual.

6. The asterisk (*) before a reference number indicates modified items after the first edition.

7. Applicable Serial No.

Engine Serial No.



8. Applicable Engine Starting Serial No.

| Model | Serial No. | Model | Serial No. |
|-------|--------------|-------|--------------|
| F30B | 6BTK-1000511 | F40F | 6BGK-1002471 |
| | | | |
| | | | |
| | | | |

9. Applicable Colour Code

| Abbreviation | Colour Name | Colour Code |
|--------------|--------------------|-------------|
| DBN1 | DARK BLUISH GRAY 1 | 008D |

10. Quantity Column Information

| Column No. | Name Of Q'ty Column | Applicable Model |
|------------|---------------------|------------------|
| 1 | ET | F30BET,F40FET |
| 2 | ED | F40FED |
| 3 | EHD | F30BEHD,F40FEHD |
| | | |
| | | |

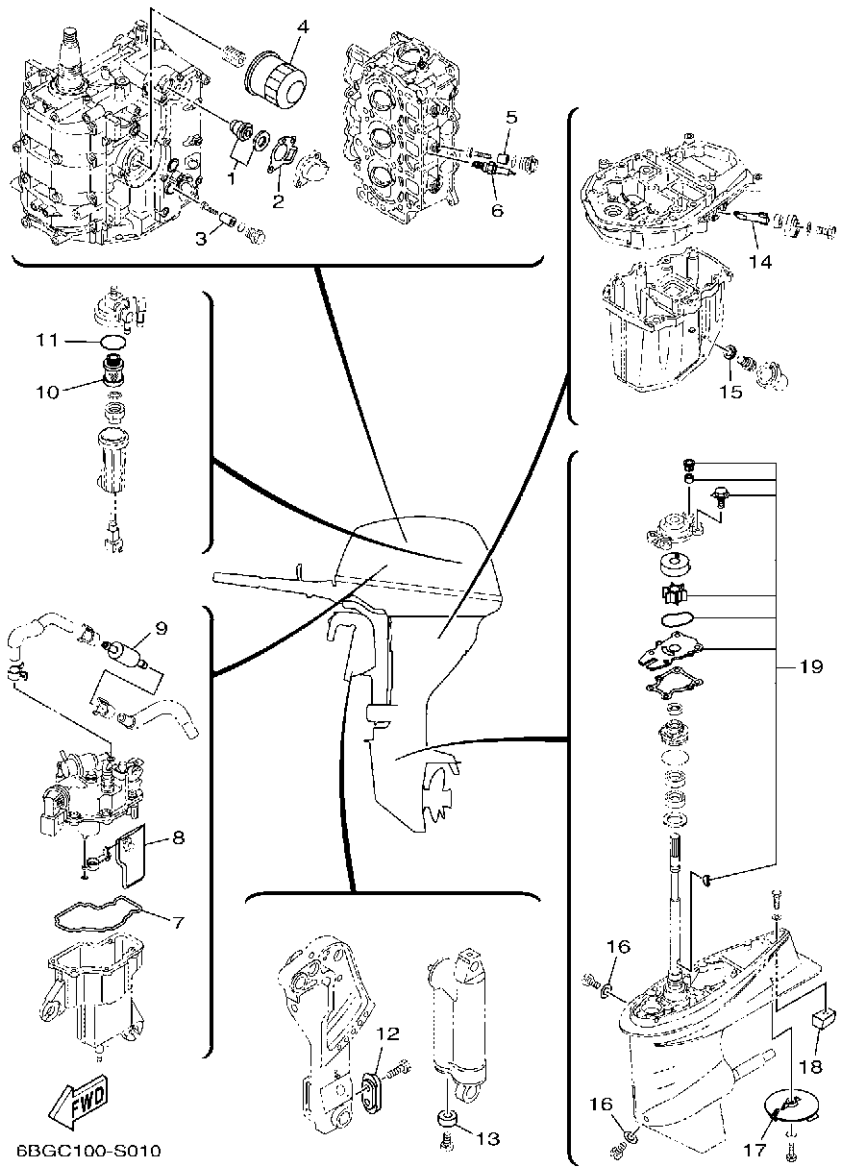
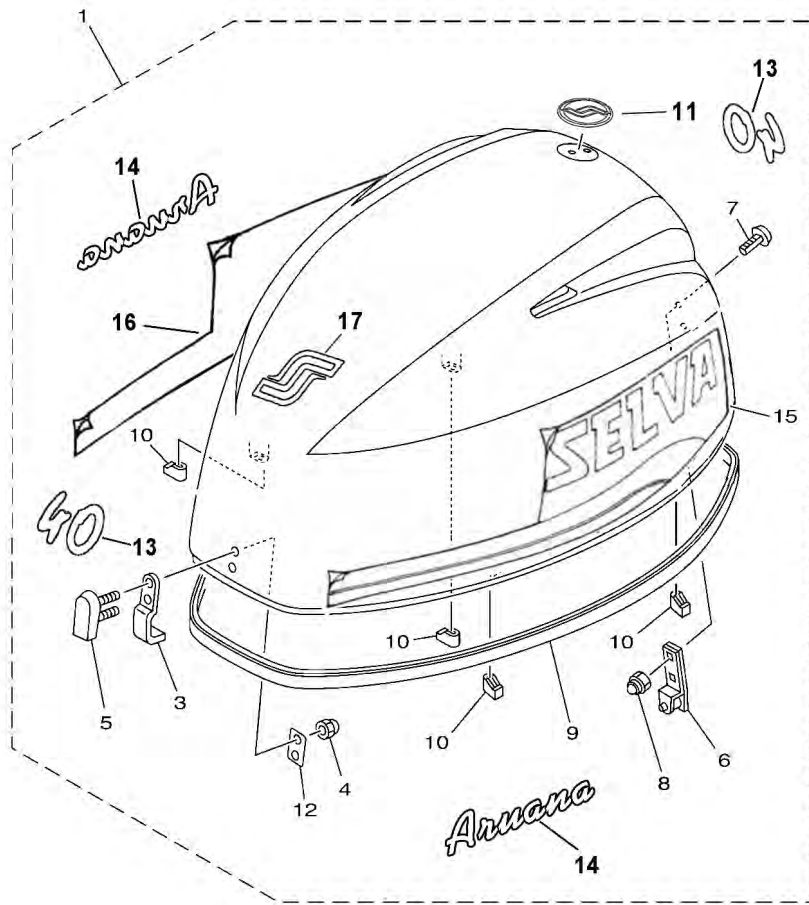


FIG. 1 SCHEDULED SERVICE PARTS **PIECES MAINTENANCE PERIODIQUE**

| REF. NO. | PART NO. N° PIECES | DESCRIPTION DESCRIPTION | ET | ED | EHD | REMARKS REMARQUES |
|----------|--------------------|---|----|----|-----|-------------------|
| 1 | 6G8-12411-03 | THERMOSTAT THERMOSTAT | 1 | 1 | 1 | |
| 2 | 62Y-12414-00 | GASKET, COVER JOINT, COUVERCLE | 1 | 1 | 1 | |
| 3 | 6G8-11325-00 | ANODE ANODE | 1 | 1 | 1 | |
| 4 | 5GH-13440-60 | ELEMENT ASSY, OIL CLEANER ELEMENT, FILTRE A HUILE | 1 | 1 | 1 | |
| 5 | 6G8-11325-00 | ANODE ANODE | 3 | 3 | 3 | |
| 6 | 94702-00418 | PLUG, SPARK (NGK DPR6EB-9) BOUGIE D, ALLUMAGE (NGK DPR6EB- | 3 | 3 | 3 | |
| 7 | 6BG-14984-00 | GASKET, FLOAT CHAMBER JOINT, CUVE DE FLOTTEUR | 1 | 1 | 1 | |
| 8 | 6BG-13915-01 | FILTER FILTRE | 1 | 1 | 1 | |
| 9 | 6C5-24251-00 | STRAINER 1 FILTRE 1 | 1 | 1 | 1 | |
| 10 | 6D8-24563-00 | ELEMENT, FILTER ELEMENT, FILTRE | 1 | 1 | 1 | |
| 11 | 6D8-24564-00 | GASKET JOINT | 1 | 1 | 1 | |
| 12 | 65W-45251-00 | ANODE ANODE | 1 | 1 | 1 | |
| 13 | 663-45251-00 | ANODE ANODE | | 1 | 1 | |
| 14 | 62Y-11325-00 | ANODE ANODE | 1 | 1 | 1 | |
| 15 | 90430-14M09 | GASKET JOINT | 1 | 1 | 1 | |
| 16 | 90430-08003 | GASKET JOINT | 2 | 2 | 2 | |
| 17 | 67C-45371-00 | TAB-TRIM ANODE DERIVE | 1 | 1 | 1 | |
| 18 | 67C-45251-00 | ANODE ANODE | 1 | 1 | 1 | |
| 19 | 6BG-W0078-00 | WATER PUMP REPAIR KIT KIT DE REPARATION DE LA POMPE | 1 | 1 | 1 | |




 6BGA100-R020

FIG. 2 TOP COWLING

CAPOT SUPERIEUR

| REF. NO. | PART NO. N° PIECES | DESCRIPTION DESCRIPTION | ET | ED | EHD | REMARKS REMARQUES |
|----------|--------------------|--|----|----|-----|-------------------|
| 1 | 1504760 | TOP COWLING ASSY CAPOT (ENS.) | 1 | 1 | 1 | |
| 3 | 6BG-42651-00 | ..HOOK ..CROCHET | 1 | 1 | 1 | |
| 4 | 95380-05800 | ..NUT ..ECROU | 2 | 2 | 2 | |
| 5 | 6BG-42851-00 | ..COVER, CLAMP ..COUVERCLE, BRIDE | 1 | 1 | 1 | |
| 6 | 6BG-42652-00 | ..HOOK ..CROCHET | 1 | 1 | 1 | |
| 7 | 90109-06047 | ..BOLT ..BOULON | 2 | 2 | 2 | |
| 8 | 90185-06M05 | ..NUT, SELF-LOCKING ..ECROU,AUTO-BLOQUANT | 2 | 2 | 2 | |
| 9 | 6BG-42615-00 | ..SEAL ..JOINT | 1 | 1 | 1 | |
| 10 | 6BG-42662-00 | ..DAMPER ..AMORTISSEUR | 4 | 4 | 4 | |
| 11 | 8093510 | ..SELVA MARK ..MARQUE, SELVA | 1 | 1 | 1 | |
| 12 | 6BG-42649-00 | ..HOLDER, CLAMP BAND ..SUPPORT, SANDOW DE SERRAGE | 1 | 1 | 1 | |
| 13 | 8093160 | ..GRAPHIC, 40 ..ADHESIF, 40 | 2 | 2 | 2 | |
| 14 | 8093155 | ..GRAPHIC, ARUANA ..ADHESIF, ARUANA | 2 | | 2 | |
| 15 | 8093145 | ..GRAPHIC, LEFT ..ADHESIF, GAUCHE | 1 | 1 | 1 | |
| 16 | 8093150 | ..GRAPHIC, RIGHT ..ADHESIF, DROIT | 1 | | 1 | |
| 17 | 8093516 | ..GRAPHIC, S ..ADHESIF, S | 1 | 1 | 1 | |
| | 1534330 | ..GRAPHIC, SET ..JEU D'EMBLEME | 1 | 1 | 1 | |

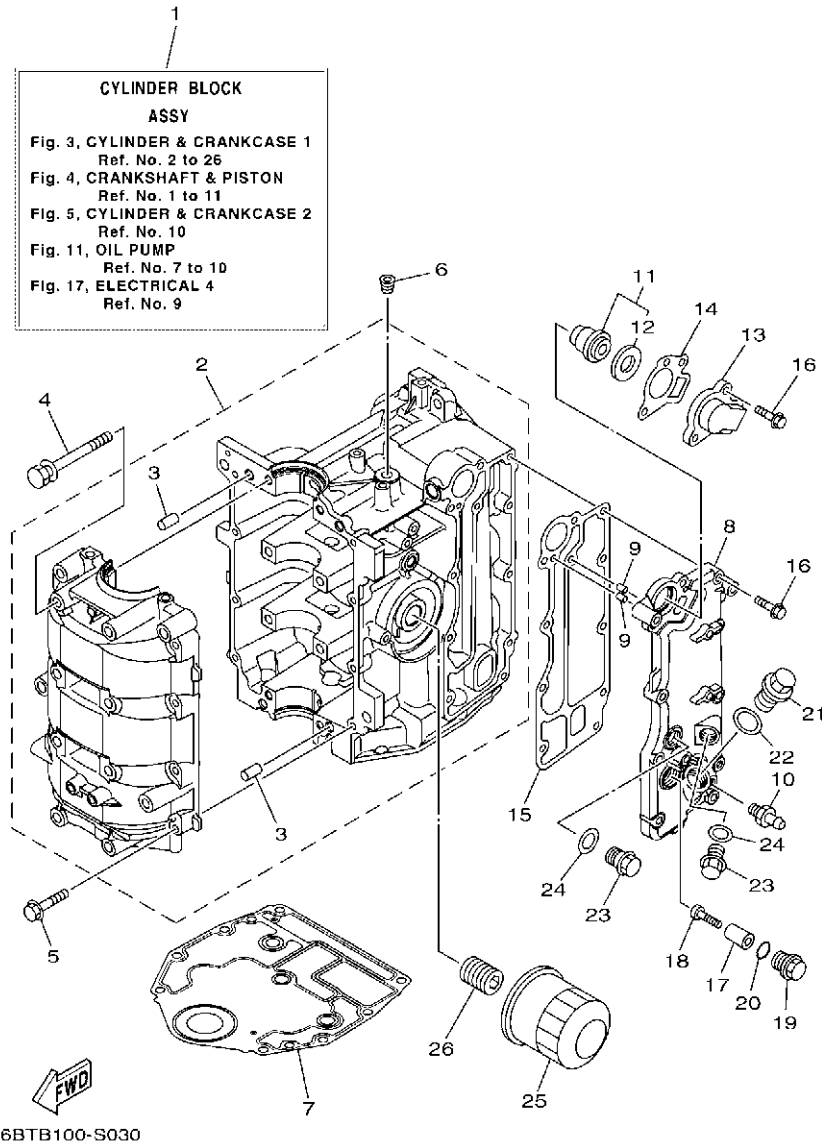
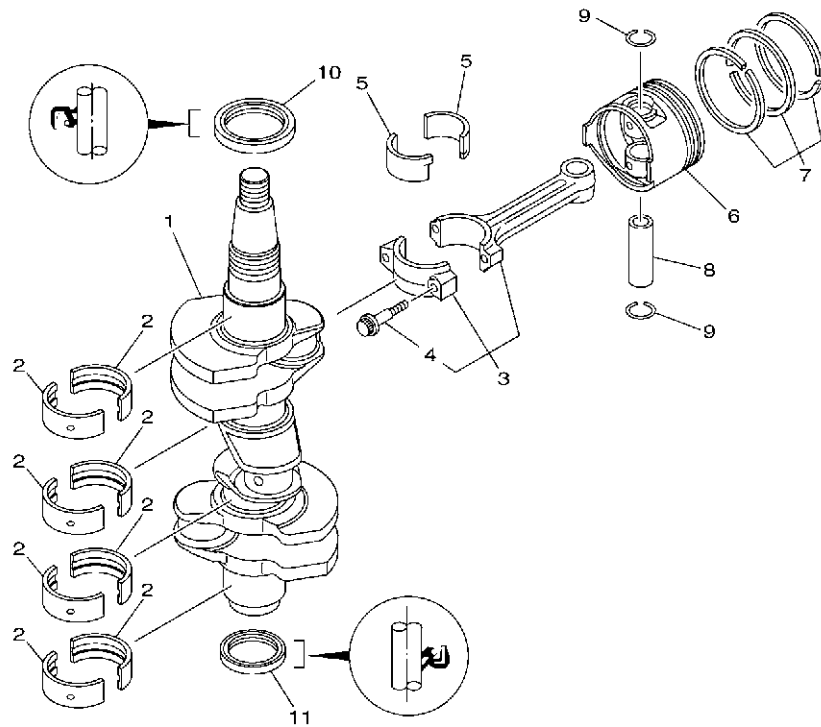


FIG. 3 CYLINDER & CRANKCASE 1

CYLINDRE & CARTER 1

| REF. NO. | PART NO. N° PIECES | DESCRIPTION DESCRIPTION | ET | ED | EHD | REMARKS REMARQUES |
|----------|--------------------|---|----|----|-----|-------------------|
| 1 | 6BG-W009B-01-1S | CYLINDER BLOCK ASSY CYLINDRE GROUPE (ENS.) | 1 | 1 | 1 | |
| 2 | 6BG-15109-01-1S | CRANKCASE ASSY CARTER DE MOTEUR COMPLET | 1 | 1 | 1 | |
| 3 | 93606-12019 | .PIN, DOWEL .GOUPILLE | 4 | 4 | 4 | |
| 4 | 90119-08154 | BOLT, WITH WASHER BOULON, AVEC RONDELLE | 8 | 8 | 8 | |
| 5 | 97513-06535 | BOLT, WITH WASHER VIS HEXAGONAL AVC RONDELLE | 8 | 8 | 8 | |
| 6 | 90344-51003 | PLUG, TAPER SCREW PLOT, FILETE CONIQUE | 1 | 1 | 1 | |
| 7 | 6BG-11351-00 | GASKET, CYLINDER JOINT, D'EMBASE | 1 | 1 | 1 | |
| 8 | 6BG-41113-00-1S | OUTER COVER, EXHAUST COUVERCLE, ECHAPPEMENT | 1 | 1 | 1 | |
| 9 | 93604-10M03 | PIN, DOWEL CLAVETTE | 2 | 2 | 2 | |
| 10 | 62Y-12481-10 | PIPE 1 DURITE 1 | 1 | 1 | 1 | |
| 11 | 6G8-12411-03 | THERMOSTAT THERMOSTAT | 1 | 1 | 1 | |
| 12 | 688-12412-00 | .SEAL, THERMOSTAT .JOINT, THERMOSTAT | 1 | 1 | 1 | |
| 13 | 6BG-12413-00-1S | COVER, THERMOSTAT COUVERCLE, THERMOSTAT | 1 | 1 | 1 | |
| 14 | 62Y-12414-00 | GASKET, COVER JOINT, COUVERCLE | 1 | 1 | 1 | |
| 15 | 6BG-41114-00 | GASKET, EXHAUST OUTER COVER JOINT, COUVERCLE D'ECHAPPEMENT | 1 | 1 | 1 | |
| 16 | 90119-06MA5 | BOLT, WITH WASHER BOULON, AVEC RONDELLE | 10 | 10 | 10 | |
| 17 | 6G8-11325-00 | ANODE ANODE | 1 | 1 | 1 | |
| 18 | 98980-05025 | SCREW, BIND VIS, DE PRESSION | 1 | 1 | 1 | |
| 19 | 6G8-11197-A0 | PLUG, BLIND PLOT, BORGNE | 1 | 1 | 1 | |
| 20 | 93210-13M63 | O-RING JOINT TORIQUE | 1 | 1 | 1 | |
| 21 | 90340-18M09 | PLUG, STRAIGHT SCREW PLOT, FILETE DROIT | 1 | 1 | 1 | |
| 22 | 90201-186F1 | WASHER, PLATE RONDELLE, PLATE | 1 | 1 | 1 | |
| 23 | 90340-14M06 | PLUG, STRAIGHT SCREW PLOT, FILETE DROIT | 2 | 2 | 2 | |
| 24 | 90430-14115 | GASKET JOINT | 2 | 2 | 2 | |
| 25 | 5GH-13440-60 | ELEMENT ASSY, OIL CLEANER ELEMENT, FILTRE A HUILE | 1 | 1 | 1 | |
| 26 | 6C5-12858-A0 | BOLT, UNION BOULON, RACCORD | 1 | 1 | 1 | |




6BG1100-H030

FIG. 4 CRANKSHAFT & PISTON

VILEBREQUIN & PISTON

| REF. NO. | PART NO. N° PIECES | DESCRIPTION DESCRIPTION | Et | Ed | Ehd | REMARKS REMARQUES |
|----------|--------------------|--|----|----|-----|------------------------|
| 1 | 6BG-11411-00 | CRANKSHAFT VILEBREQUIN COMPLET | 1 | 1 | 1 | |
| 2 | 6BG-11416-00 | PLANE BEARING, CRANKSHAFT 1 COUSSINET DE VILEBREQUIN 1 | 8 | 8 | 8 | UR YELLOW UR YELLOW |
| | 6BG-11416-10 | PLANE BEARING, CRANKSHAFT 1 COUSSINET DE VILEBREQUIN 1 | 8 | 8 | 8 | UR RED UR RED |
| | 6BG-11416-20 | PLANE BEARING, CRANKSHAFT 1 COUSSINET DE VILEBREQUIN 1 | 8 | 8 | 8 | UR PINK UR PINK |
| | 6BG-11416-30 | PLANE BEARING, CRANKSHAFT 1 COUSSINET DE VILEBREQUIN 1 | 8 | 8 | 8 | UR GREEN UR GREEN |
| 3 | 6C5-11650-10 | CONNECTING ROD ASSY BIELLE COMPLETE | 3 | 3 | 3 | |
| 4 | 6C5-11654-00 | .BOLT, CONNECTING ROD .BOULON, BIELLE | 2 | 2 | 2 | |
| 5 | 6CJ-11656-00 | PLANE BEARING, CONNECTING ROD ROULEMENT DE BIELLE | 6 | 6 | 6 | UR YELLOW UR YELLOW |
| | 6CJ-11656-10 | PLANE BEARING, CONNECTING ROD ROULEMENT DE BIELLE | 6 | 6 | 6 | UR RED UR RED |
| | 6CJ-11656-20 | PLANE BEARING, CONNECTING ROD ROULEMENT DE BIELLE | 6 | 6 | 6 | UR PINK UR PINK |
| | 6CJ-11656-30 | PLANE BEARING, CONNECTING ROD ROULEMENT DE BIELLE | 6 | 6 | 6 | UR GREEN UR GREEN |
| 6 | 69W-11631-01-97 | PISTON (STD) PISTON (STD) | 3 | 3 | 3 | |
| | 69W-11635-01 | PISTON (0.25MM O/S) PISTON (0.25MM O/S) | 3 | 3 | 3 | AP AP |
| | 69W-11636-01 | PISTON (0.50MM O/S) PISTON (0.50MM O/S) | 3 | 3 | 3 | AP AP |
| 7 | 67C-11603-00 | PISTON RING SET (STD) JEU DE SEGMENTS (STD) | 3 | 3 | 3 | |
| | 67C-11604-00 | PISTON RING SET (0.25MM O/S) JEU DE SEGMENTS (0.25MM O/S) | 3 | 3 | 3 | AP AP |
| | 67C-11605-00 | PISTON RING SET (0.50MM O/S) JEU DE SEGMENTS (0.50MM O/S) | 3 | 3 | 3 | AP AP |
| 8 | 62Y-11633-00 | PIN, PISTON AXE, PISTON | 3 | 3 | 3 | |
| 9 | 93450-17129 | CIRCLIP CIRCLIP | 6 | 6 | 6 | |
| 10 | 93102-43M42 | OIL SEAL JOINT SPY | 1 | 1 | 1 | |
| 11 | 93101-35002 | OIL SEAL JOINT SPY | 1 | 1 | 1 | |

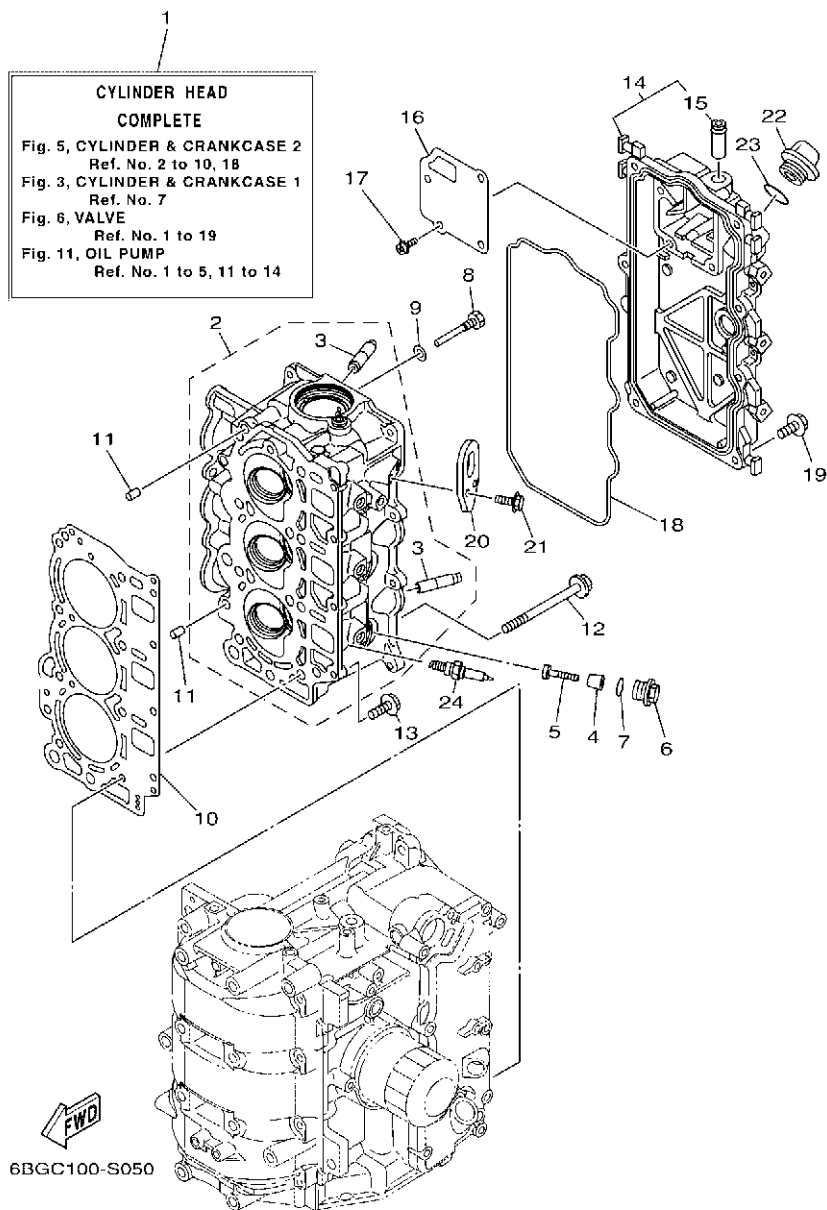
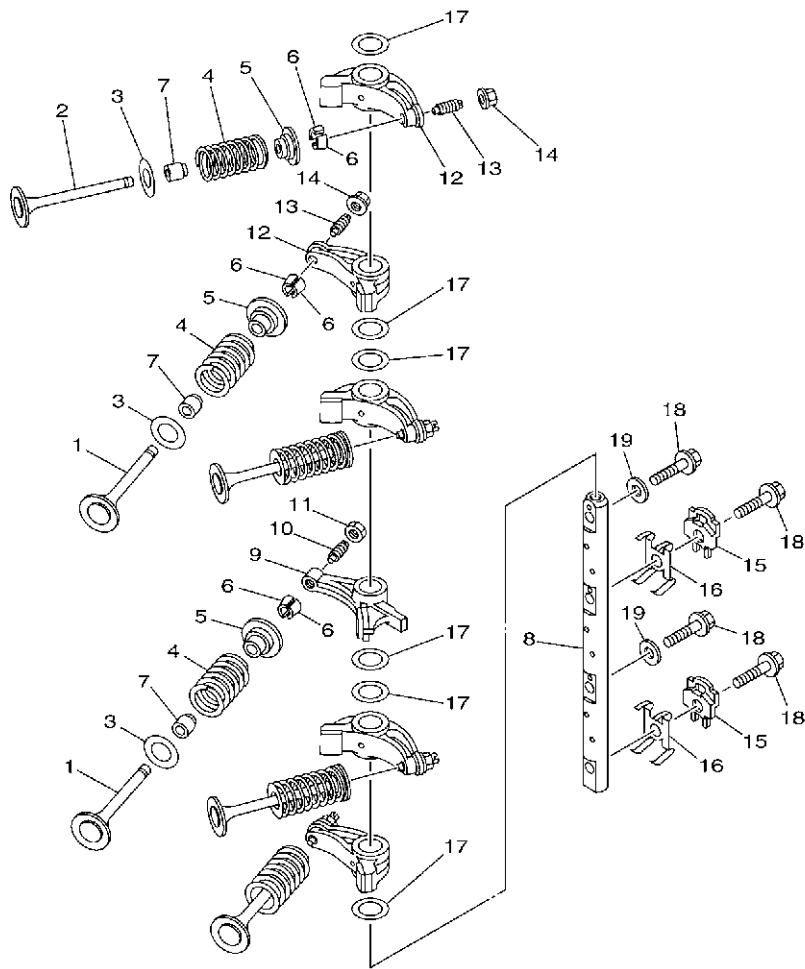


FIG. 5 CYLINDER & CRANKCASE 2

CYLINDRE & CARTER 2

| REF. NO. | PART NO. N° PIECES | DESCRIPTION DESCRIPTION | ET | ED | EHD | REMARKS REMARQUES |
|----------|--------------------|---|----|----|-----|-------------------|
| 1 | 6BG-W009A-03-1S | CYLINDER HEAD COMPLETE CULASSE (ENS.) | 1 | 1 | 1 | |
| 2 | 6BG-11111-11-1S | HEAD, CYLINDER 1 CULASSE, 1 | 1 | 1 | 1 | |
| 3 | 62Y-11133-30 | .GUIDE, VALVE 1 .GUIDE, SOUPEPE 1 | 6 | 6 | 6 | |
| 4 | 6G8-11325-00 | ANODE ANODE | 3 | 3 | 3 | |
| 5 | 98980-05025 | SCREW, BIND VIS, DE PRESSION | 3 | 3 | 3 | |
| 6 | 6G8-11197-A0 | PLUG, BLIND PLOT, BORGNE | 3 | 3 | 3 | |
| 7 | 93210-13M63 | O-RING JOINT TORIQUE | 3 | 3 | 3 | |
| 8 | 90109-06M65 | BOLT BOULON | 1 | 1 | 1 | |
| 9 | 90430-06014 | GASKET JOINT | 1 | 1 | 1 | |
| 10 | 6BG-11181-00 | GASKET, CYLINDER HEAD 1 JOINT, DE CULASSE 1 | 1 | 1 | 1 | |
| 11 | 99530-08012 | PIN, DOWEL GOUJON, D'ASSEMBLAGE | 2 | 2 | 2 | |
| 12 | 90105-09009 | BOLT, FLANGE BOULON, A COLLERETTE | 8 | 8 | 8 | |
| 13 | 90119-06MA3 | BOLT, WITH WASHER BOULON, AVEC RONDELLE | 4 | 4 | 4 | |
| 14 | 6BG-11191-10-1S | COVER, CYLINDER HEAD 1 COUVERCLE, CULASSE 1 | 1 | 1 | 1 | |
| 15 | 62Y-14485-00 | .PIPE, JOINT .DURITE | 1 | 1 | 1 | |
| 16 | 6BG-11168-00 | COVER, BREATHER COUVERCLE, RENIFLARD | 1 | 1 | 1 | |
| 17 | 97607-04210 | SCREW, WITH WASHER VIS, AVEC RONDELLE | 4 | 4 | 4 | |
| 18 | 6BG-11356-00 | SEAL, CYLINDER 2 JOINT, SPY CYLINDRE | 1 | 1 | 1 | |
| 19 | 97E95-06520 | BOLT, HEXAGON W/W DEEP RECESS VIS HEXAGONAL AVC RONDELLE | 7 | 7 | 7 | |
| 20 | 6BG-11119-00 | HANGER, ENGINE ANNEAU, LEVAGE | 1 | 1 | 1 | |
| 21 | 97E95-06520 | BOLT, HEXAGON W/W DEEP RECESS VIS HEXAGONAL AVC RONDELLE | 2 | 2 | 2 | |
| 22 | 6G8-15363-00 | PLUG, OIL PLOT, HUILE | 1 | 1 | 1 | |
| 23 | 93210-24M79 | O-RING JOINT TORIQUE | 1 | 1 | 1 | |
| 24 | 94702-00418 | PLUG, SPARK (NGK DPR6EB-9) BOUGIE D, ALLUMAGE (NGK DPR6EB- | 3 | 3 | 3 | |




6BG1100-H050

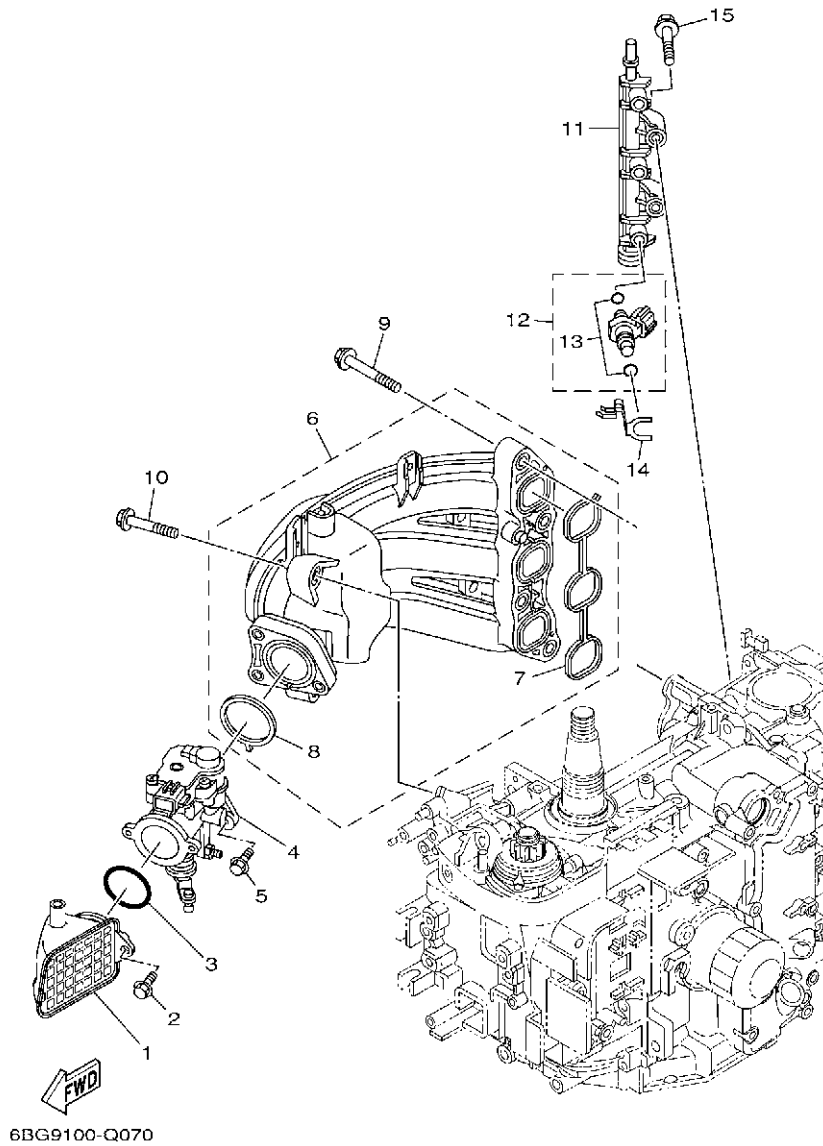
FIG. 6 VALVE

SOUPAPE

| REF. NO. | PART NO. N° PIECES | DESCRIPTION DESCRIPTION | U | ED | EHD | REMARKS REMARQUES |
|----------|--------------------|---|----|----|-----|-------------------|
| 1 | 69W-12111-00 | VALVE, INTAKE SOUPAPE, ADMISSION | 3 | 3 | 3 | |
| 2 | 69W-12121-10 | VALVE, EXHAUST SOUPAPE, ECHAPPEMENT | 3 | 3 | 3 | |
| 3 | 62Y-12116-00 | SEAT, VALVE SPRING SIEGE, RESSORT DE SOUPAPE | 6 | 6 | 6 | |
| 4 | 51Y-12114-00 | SPRING, VALVE OUTER RESSORT DE SOUPAPE, EXTERNE | 6 | 6 | 6 | |
| 5 | 30X-12117-00 | RETAINER, VALVE SPRING BUTEE DE RESSORT DE SOUPAPE | 6 | 6 | 6 | |
| 6 | 30X-12118-00 | LOCK, VALVE SPRING RETAINER FRAISE, SOUPAPE | 12 | 12 | 12 | |
| 7 | 51Y-12119-00 | SEAL, VALVE STEM JOINT, QUEUE DE SOUPAPE | 6 | 6 | 6 | |
| 8 | 6BG-12146-00 | SHAFT, ROCKER AXE, CULBUTEUR | 1 | 1 | 1 | |
| 9 | 62Y-12151-00 | ARM, VALVE ROCKER CULBUTEUR | 1 | 1 | 1 | |
| 10 | 64J-12159-00 | SCREW, VALVE ADJUSTING VIS, REGLAGE DE SOUPAPE | 1 | 1 | 1 | |
| 11 | 62Y-12158-00 | NUT, LOCK CONTRE-ECROU | 1 | 1 | 1 | |
| 12 | 6C5-12151-00 | ARM, VALVE ROCKER CULBUTEUR | 5 | 5 | 5 | |
| 13 | 6C5-12159-00 | SCREW, VALVE ADJUSTING VIS, REGLAGE DE SOUPAPE | 5 | 5 | 5 | |
| 14 | 6C5-12158-00 | NUT, LOCK CONTRE-ECROU | 5 | 5 | 5 | |
| 15 | 6C5-12231-00 | GUIDE, STOPPER 1 GUIDE, BUTEE 1 | 2 | 2 | 2 | |
| 16 | 6C5-12233-00 | PLATE, GUIDE STOPPER 1 PLAQUE, GUIDE BUTEE 1 | 2 | 2 | 2 | |
| 17 | 90201-16014 | WASHER, PLATE RONDELLE, PLATE | 6 | 6 | 6 | |
| 18 | 90105-08060 | BOLT, FLANGE BOULON, A COLLERETTE | 4 | 4 | 4 | |
| 19 | 92990-08200 | WASHER, PLAIN RONDELLE, PLATE | 2 | 2 | 2 | |

FIG. 7 INTAKE 1

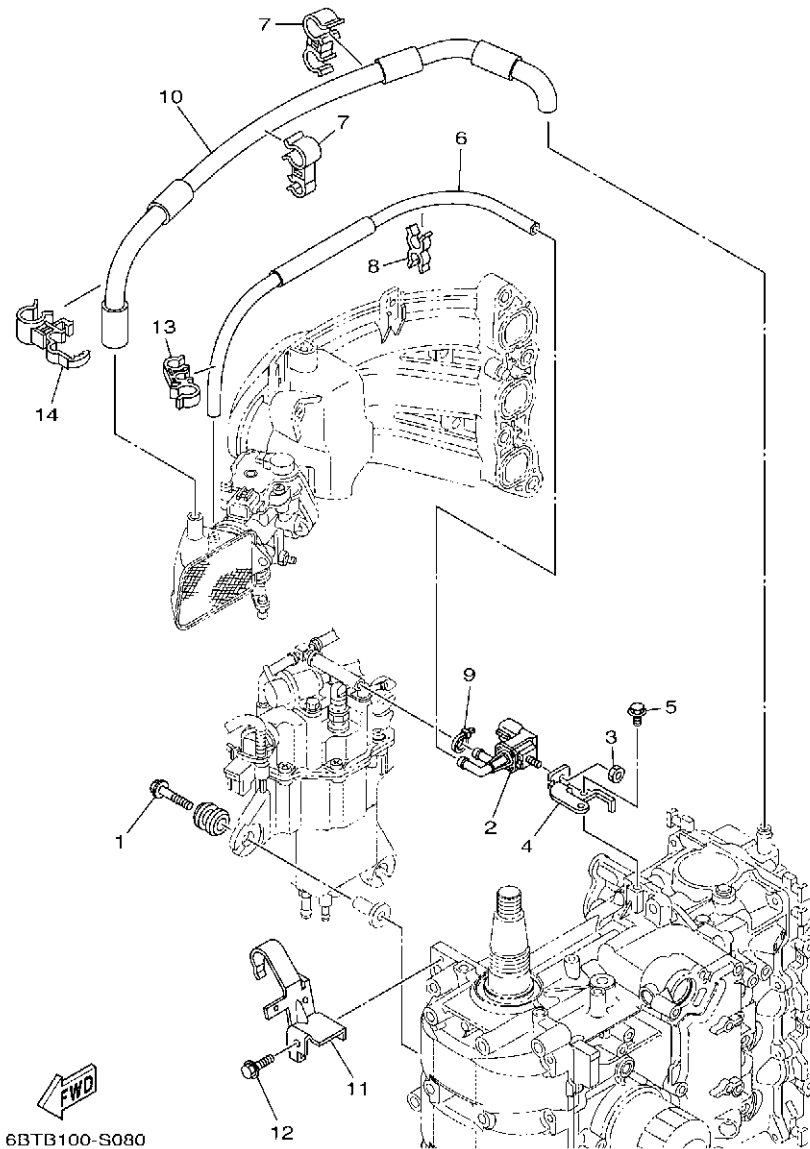
ADMISSION 1



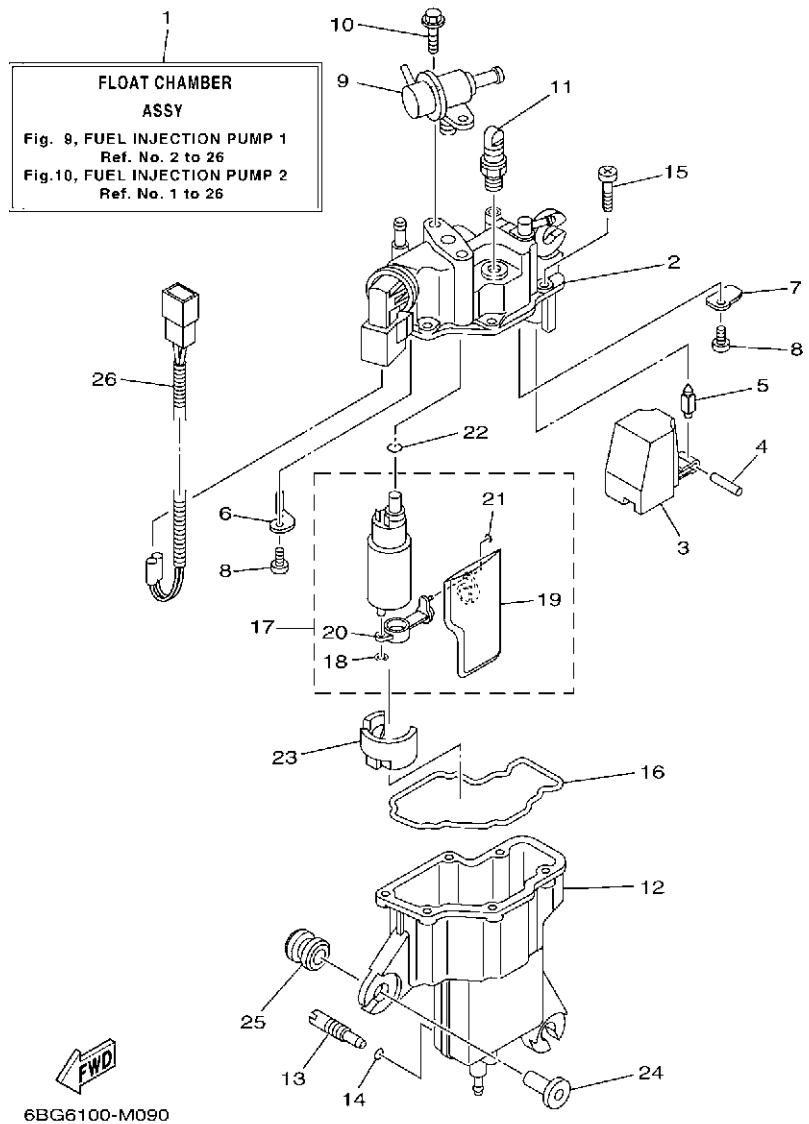
| REF. NO. | PART NO. N° PIECES | DESCRIPTION DESCRIPTION | E1 | E2 | EHD | REMARKS REMARQUES |
|----------|--------------------|---|----|----|-----|----------------------|
| 1 | 6BG-14440-A0 | SILENCER ASSY, INTAKE SIENCIEUX D'ADMISSION | 1 | 1 | 1 | F40F |
| | 6BT-14440-A0 | SILENCER ASSY, INTAKE SIENCIEUX D'ADMISSION | 1 | 1 | | F40F F30B F30B |
| 2 | 95D95-06016 | BOLT, FLANGE DEEP RECESS BOULON FIXATION | 2 | 2 | 2 | |
| 3 | 93210-42159 | O-RING JOINT TORIQUE | 1 | 1 | 1 | |
| 4 | 6BG-13750-02 | THROTTLE BODY ASSY CARTER D'ACCELERATEUR COMPLET | 1 | 1 | 1 | |
| 5 | 95D95-06016 | BOLT, FLANGE DEEP RECESS BOULON FIXATION | 3 | 3 | 3 | |
| 6 | 6BG-13641-01 | MANIFOLD, INTAKE 1 TUBULURE, ADMISSION 1 | 1 | 1 | 1 | |
| 7 | 6BG-13645-00 | .GASKET, MANIFOLD 1 .JOINT, TUBULURE 1 | 1 | 1 | 1 | |
| 8 | 6BG-13557-00 | .GASKET .JOINT | 1 | 1 | 1 | |
| 9 | 90119-08069 | BOLT, WITH WASHER BOULON, AVEC RONDELLE | 4 | 4 | 4 | |
| 10 | 90119-06126 | BOLT, WITH WASHER BOULON, AVEC RONDELLE | 2 | 2 | 2 | |
| 11 | 6BG-13161-00 | PIPE, DELIVERY 1 DURITE REFOULEMENT 1 | 1 | 1 | 1 | |
| 12 | 6BG-13761-00 | INJECTOR INJECTEUR | 3 | 3 | 3 | |
| 13 | 6C5-1410B-00 | .PACKING KIT .POCHETTE DE JOINTS | 1 | 1 | 1 | |
| 14 | 6BG-13577-00 | CLIP AGRAFE | 3 | 3 | 3 | |
| 15 | 95D95-06040 | BOLT, FLANGE DEEP RECESS BOULON FIXATION | 2 | 2 | 2 | |

FIG. 8 INTAKE 2

ADMISSION 2



| REF. NO. | PART NO. N° PIECES | DESCRIPTION DESCRIPTION | ET | ED | EHD | REMARKS REMARQUES |
|----------|--------------------|--|----|----|-----|-------------------|
| 1 | 90119-06M61 | BOLT, WITH WASHER BOULON, AVEC RONDELLE | 3 | 3 | 3 | |
| 2 | 6C5-86120-00 | SOLENOID VALVE ASSY SOLENOIDE | 1 | 1 | 1 | |
| 3 | 95380-06600 | NUT, HEXAGON ECROU | 1 | 1 | 1 | |
| 4 | 6BG-86112-10 | STAY, SOLENOID SUPPORT, SOLENOIDE | 1 | 1 | 1 | |
| 5 | 97E95-06516 | BOLT, HEXAGON W/W DEEP RECESS VIS HEXAGONAL AVEC RONDELLE | 1 | 1 | 1 | |
| 6 | 6BG-12576-00 | HOSE 1 TUYAU 1 | 1 | 1 | 1 | |
| 7 | 90464-15007 | CLAMP BRIDE | 2 | 2 | 2 | |
| 8 | 90464-11M24 | CLAMP BRIDE | 1 | 1 | 1 | |
| 9 | 90465-11M10 | CLAMP BRIDE | 1 | 1 | 1 | |
| 10 | 6BG-1531A-00 | HOSE, BREATHER 1 DURITE DE RENIFLARD 1 | 1 | 1 | 1 | |
| 11 | 6BG-15378-00 | HOLDER SUPPORT | 1 | 1 | 1 | |
| 12 | 90119-06037 | BOLT, WITH WASHER BOULON, AVEC RONDELLE | 1 | 1 | 1 | |
| 13 | 90464-15008 | CLAMP BRIDE | 1 | 1 | 1 | |
| 14 | 90464-15011 | CLAMP BRIDE | 1 | 1 | 1 | |



6BG6100-M090

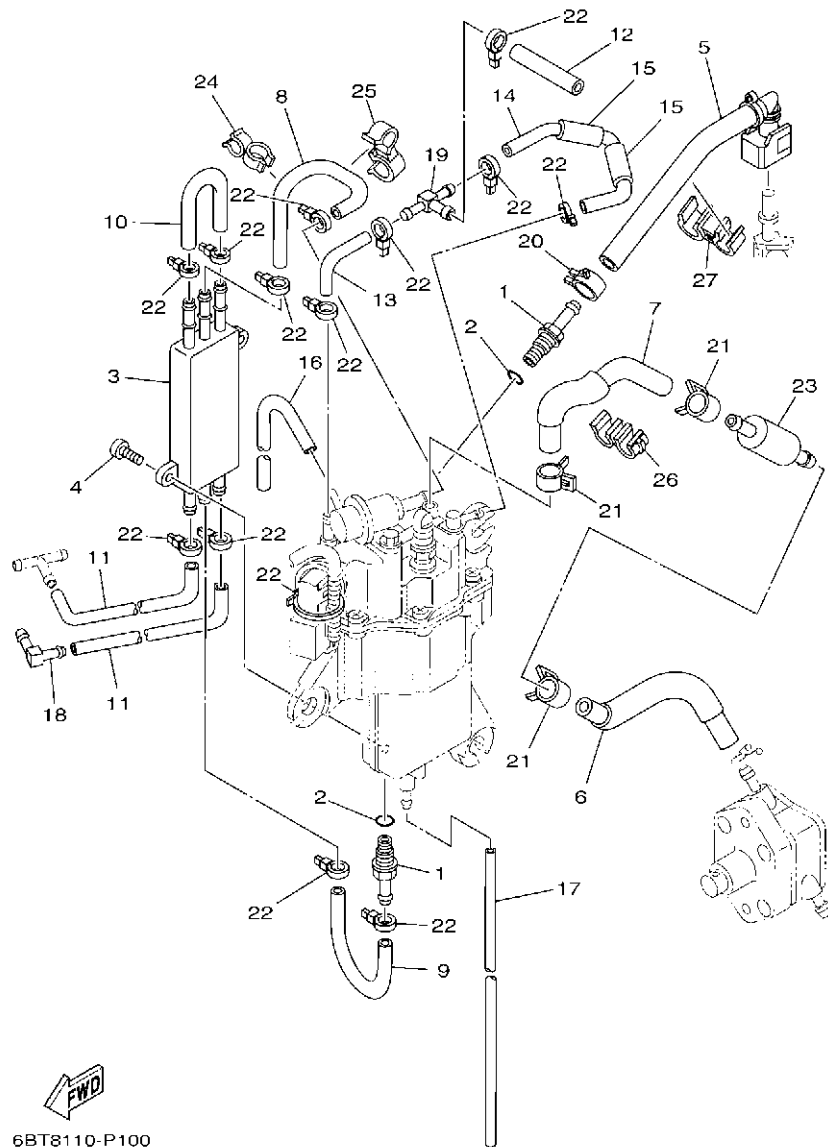
FIG. 9 FUEL INJECTION PUMP 1

POMPE A INJECTEUR 1

| REF. NO. | PART NO. N° PIECES | DESCRIPTION DESCRIPTION | ET | ED | EHD | REMARKS REMARQUES |
|----------|--------------------|---|----|----|-----|-------------------|
| 1 | 6BG-14180-05 | FLOAT CHAMBER ASSY CUVE DE FLOTTEUR | 1 | 1 | 1 | |
| 2 | 6BG-14182-10 | COVER, FLOAT CHAMBER COUVERCLE, CUVE DE FLOTTEUR | 1 | 1 | 1 | |
| 3 | 6BG-14985-00 | FLOAT FLOTTEUR | 1 | 1 | 1 | |
| 4 | 6C5-14386-00 | PIN, FLOAT AXE, FLOTTEUR | 1 | 1 | 1 | |
| 5 | 6C5-14546-10 | VALVE, NEEDLE POINTEAU | 1 | 1 | 1 | |
| 6 | 6BG-2441R-10 | PLATE, BAFFLE 1 SEPARATEUR 1 | 1 | 1 | 1 | |
| 7 | 6BG-2441T-10 | PLATE, BAFFLE 2 SEPARATEUR 2 | 1 | 1 | 1 | |
| 8 | 6C5-24453-00 | SCREW VIS | 2 | 2 | 2 | |
| 9 | 6C5-13906-01 | REGULATOR, PRESSURE REGULATEUR DE PRESSION | 1 | 1 | 1 | |
| 10 | 6C5-24592-00 | BOLT BOLTE | 2 | 2 | 2 | |
| 11 | 6C5-14225-00 | CAP COUVERCLE | 1 | 1 | 1 | |
| 12 | 6BG-14960-10 | BODY ASSY CARTER (ENS.) | 1 | 1 | 1 | |
| 13 | 6C5-14191-00 | PLUG, DRAIN PLOT, VIDANGE | 1 | 1 | 1 | |
| 14 | 6C5-14397-00 | O-RING JOINT TORIQUE | 1 | 1 | 1 | |
| 15 | 6C5-14567-00 | SCREW VIS | 6 | 6 | 6 | |
| 16 | 6BG-14984-00 | GASKET, FLOAT CHAMBER JOINT, CUVE DE FLOTTEUR | 1 | 1 | 1 | |
| 17 | 6BG-13910-03 | FUEL PUMP ASSY POMPE A ESSENCE COMPLET | 1 | 1 | 1 | |
| 18 | 6C5-14127-10 | .CLIP .JONC | 1 | 1 | 1 | |
| 19 | 6BG-13915-01 | .FILTER .FILTRE | 1 | 1 | 1 | |
| 20 | 6BG-13938-00 | .PIPE .DURITE | 1 | 1 | 1 | |
| 21 | 6BG-14137-00 | .CLIP .JONC | 1 | 1 | 1 | |
| 22 | 6BG-14561-00 | O-RING JOINT TORIQUE | 1 | 1 | 1 | |
| 23 | 6BG-13593-00 | DAMPER AMORTISSEUR | 1 | 1 | 1 | |
| 24 | 90387-06M69 | COLLAR COLLERETTE | 3 | 3 | 3 | |
| 25 | 90480-09M12 | GROMMET PASSE-FIL | 3 | 3 | 3 | |
| 26 | 6BG-82553-00 | EXTENSION, WIRE LEAD EXTENSION, FAISCEAU | 1 | 1 | 1 | |

FIG. 10 FUEL INJECTION PUMP 2

POMPE A INJECTEUR 2

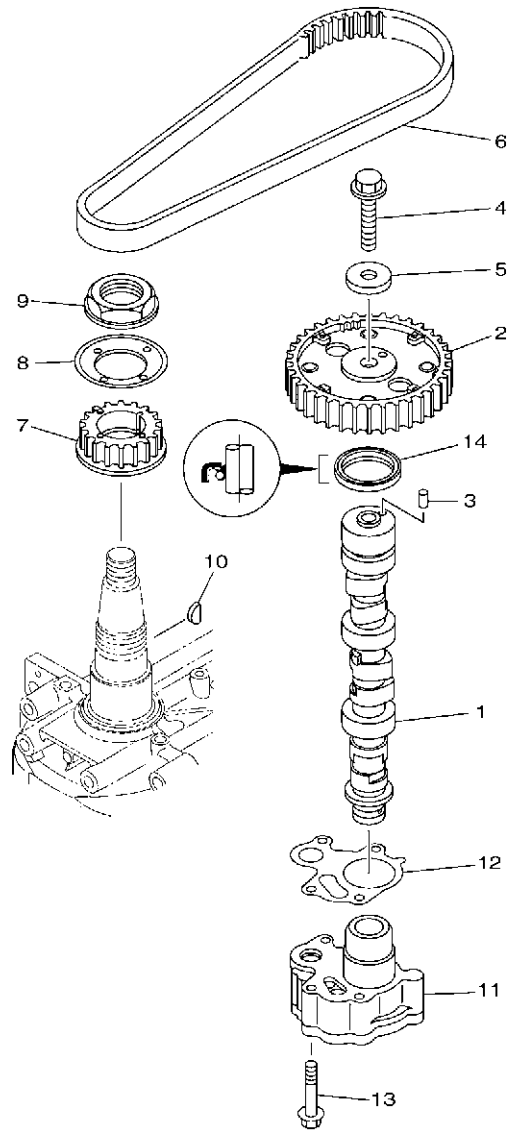


6BT8110-P100

| REF. NO. | PART NO. N° PIECES | DESCRIPTION DESCRIPTION | EL | ED | EHD | REMARKS REMARQUES |
|----------|--------------------|--|----|----|-----|-------------------|
| 1 | 6C5-14251-00 | NIPPLE RACCORD | 2 | 2 | 2 | |
| 2 | 6C5-13739-00 | O-RING JOINT TORIQUE | 2 | 2 | 2 | |
| 3 | 6C5-21841-01 | COOLER RADIATEUR | 1 | 1 | 1 | |
| 4 | 6C5-24444-00 | SCREW VIS | 2 | 2 | 2 | |
| 5 | 6BG-13974-00 | PIPE, FUEL 4 TUBE 4, CARBURANT | 1 | 1 | 1 | |
| 6 | 6BG-2451B-00 | HOSE, FUEL INLET DURITE | 1 | 1 | 1 | |
| 7 | 6BG-14148-00 | PIPE DURITE | 1 | 1 | 1 | |
| 8 | 6BG-24321-00 | PIPE 10 DURITE 10 | 1 | 1 | 1 | |
| 9 | 6BG-24322-00 | PIPE 11 DURITE 11 | 1 | 1 | 1 | |
| 10 | 6BG-24323-00 | PIPE 12 DURITE 12 | 1 | 1 | 1 | |
| 11 | 6BG-24324-00 | PIPE 13 DURITE 13 | 2 | 2 | 2 | |
| 12 | 6C5-13547-00 | HOSE 3 DURITE 3 | 1 | 1 | 1 | |
| 13 | 6BG-13545-00 | HOSE 1 DURITE 1 | 1 | 1 | 1 | |
| 14 | 6BG-13546-00 | HOSE 2 DURITE 2 | 1 | 1 | 1 | |
| 15 | 6BG-13548-00 | HOSE, AIR 4 DURITE, A AIR 4 | 2 | 2 | 2 | |
| 16 | 6BG-13542-00 | HOSE, VACUUM SENSING 1 DURITE, SOUS VIDE DETECTION 1 | 1 | 1 | 1 | |
| 17 | 6BG-14149-00 | PIPE DURITE | 1 | 1 | 1 | |
| 18 | 6C5-1410F-00 | NIPPLE, 1 RACCORD, 1 | 1 | 1 | 1 | |
| 19 | 6C5-24379-00 | PIPE, JOINT 4 DURITE RACCORDEMENT 4 | 1 | 1 | 1 | |
| 20 | 6C5-13577-00 | CLIP AGRAFE | 1 | 1 | 1 | |
| 21 | 6BG-24387-00 | CLIP SANDOW | 3 | 3 | 3 | |
| 22 | 90465-11M10 | CLAMP BRIDE | 14 | 14 | 14 | |
| 23 | 6C5-24251-00 | STRAINER 1 FILTRE 1 | 1 | 1 | 1 | |
| 24 | 90464-12006 | CLAMP BRIDE | 1 | 1 | 1 | |
| 25 | 90464-12010 | CLAMP BRIDE | 1 | 1 | 1 | |
| 26 | 90464-12224 | CLAMP BRIDE | 1 | 1 | 1 | |
| 27 | 90464-15007 | CLAMP BRIDE | 1 | 1 | 1 | |

FIG. 11 OIL PUMP

POMPE A HUILE




6BG9100-Q110

| REF. NO. | PART NO. N° PIECES | DESCRIPTION DESCRIPTION | ET | ED | EHD | REMARKS REMARQUES |
|----------|--------------------|---|----|----|-----|-------------------|
| 1 | 6BG-12171-01 | CAMSHAFT 1 ARBRE A CAMES 1 | 1 | 1 | 1 | |
| 2 | 6C5-11537-10 | GEAR, DRIVEN PIGNON SECONDAIRE | 1 | 1 | 1 | |
| 3 | 93605-17002 | PIN, DOWEL AXE | 1 | 1 | 1 | |
| 4 | 95817-10035 | BOLT, FLANGE BOULON, A COLLERETTE | 1 | 1 | 1 | |
| 5 | 90201-10144 | WASHER, PLATE RONDELLE, PLATE | 1 | 1 | 1 | |
| 6 | 6C5-46241-00 | BELT COURROIE TRAPEZOIDALE | 1 | 1 | 1 | |
| 7 | 6C5-11536-00 | GEAR, DRIVE ENGRENAGE, MENANT | 1 | 1 | 1 | |
| 8 | 62Y-11557-00 | WASHER 1 RONDELLE 1 | 1 | 1 | 1 | |
| 9 | 90179-35001 | NUT ECROU | 1 | 1 | 1 | |
| 10 | 90280-03017 | KEY, WOODRUFF CLAVETTE, DEMI-LUNE | 1 | 1 | 1 | |
| 11 | 6BG-13300-01 | OIL PUMP ASSY POMPE A HUILE COMPLETE | 1 | 1 | 1 | |
| 12 | 6C5-13329-00 | GASKET, PUMP COVER JOINT, COUVERCLE DE POMPE | 1 | 1 | 1 | |
| 13 | 90119-06025 | BOLT, WITH WASHER BOULON, AVEC RONDELLE | 4 | 4 | 4 | |
| 14 | 93102-37M40 | OIL SEAL JOINT SPY | 1 | 1 | 1 | |

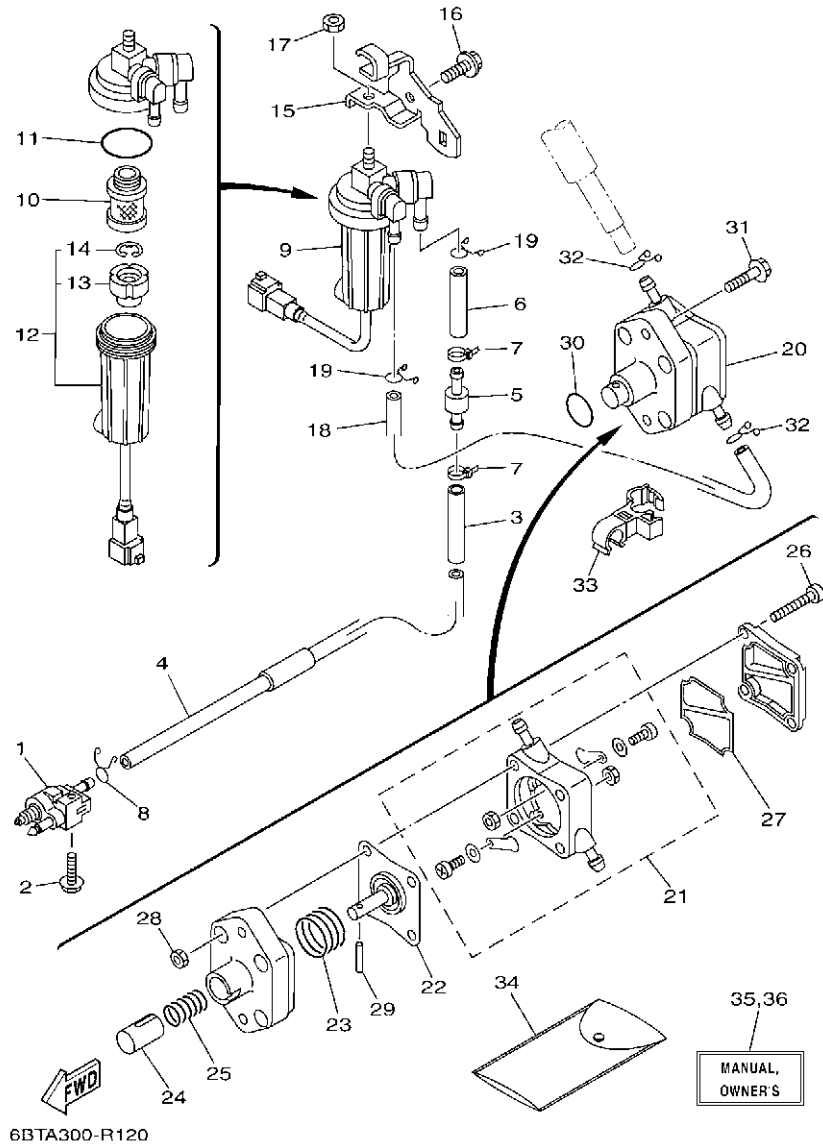


FIG. 12 FUEL

CARBURANT

| REF. NO. | PART NO. N° PIECES | DESCRIPTION DESCRIPTION | ET | ED | EHD | REMARKS REMARQUES |
|----------|--------------------|---|----|----|-----|-------------------|
| 1 | 6G1-24304-10 | FUEL PIPE JOINT COMP. 1 DURITE RACCORDEMT. A ESSENCE | 1 | 1 | 1 | |
| 2 | 97E95-06525 | BOLT, HEXAGON W/W DEEP RECESS VIS HEXAGONAL AVC RONDELLE | 1 | 1 | 1 | |
| 3 | 90445-14020 | HOSE (L65) DURITE (L65) | 1 | 1 | 1 | |
| 4 | 6BG-24313-00 | PIPE 3 DURITE 3 | 1 | 1 | 1 | |
| 5 | 67F-24377-00 | PIPE, JOINT 2 DURITE RACCORDEMENT 2 | 1 | 1 | 1 | |
| 6 | 90445-13M02 | HOSE (L40) DURITE (L40) | 1 | 1 | 1 | |
| 7 | 90465-11M10 | CLAMP BRIDE | 2 | 2 | 2 | |
| 8 | 90467-09M17 | CLIP JONC | 1 | 1 | 1 | |
| 9 | 6D8-24560-01 | FILTER ASSY ENS FILTRE | 1 | 1 | 1 | |
| 10 | 6D8-24563-00 | .ELEMENT, FILTER .ELEMENT, FILTRE | 1 | 1 | 1 | |
| 11 | 6D8-24564-00 | .GASKET .JOINT | 1 | 1 | 1 | |
| 12 | 6D8-24562-00 | .CUP, FILTER .CUVETTE, FILTRE | 1 | 1 | 1 | |
| 13 | 6D8-24469-00 | .FLOAT, WATER LEVEL .FLOTTEUR | 1 | 1 | 1 | |
| 14 | 6D8-24519-00 | .CLIP .JONC | 1 | 1 | 1 | |
| 15 | 6BG-24566-01 | BRACKET, FILTER SUPPORT, FILTRE | 1 | 1 | 1 | |
| 16 | 95D95-08016 | BOLT, FLANGE DEEP RECESS BOULON FIXATION | 1 | 1 | 1 | |
| 17 | 95380-08600 | NUT ECROU | 1 | 1 | 1 | |
| 18 | 6BG-24311-00 | PIPE, FUEL 1 DURITE A ESSENCE | 1 | 1 | 1 | |
| 19 | 90467-11M08 | CLIP JONC | 2 | 2 | 2 | |
| 20 | 6C5-24410-00 | FUEL PUMP ASSY POMPE A ESSENCE | 1 | 1 | 1 | |
| 21 | 6C5-24415-00 | .BODY 4 .CORPS 4 | 1 | 1 | 1 | |
| 22 | 62Y-24411-02 | .DIAPHRAGM .DIAPHRAGME | 1 | 1 | 1 | |
| 23 | 62Y-24423-00 | .SPRING, DIAPHRAGM .RESSORT, DIAPHRAGME | 1 | 1 | 1 | |
| 24 | 62Y-13131-00 | .PLUNGER .PLONGEUR | 1 | 1 | 1 | |
| 25 | 62Y-24454-00 | .SPRING .RESSORT | 1 | 1 | 1 | |
| 26 | 62Y-24444-01 | .SCREW .VIS | 4 | 4 | 4 | |
| 27 | 6C5-24471-00 | .DIAPHRAGM .DIAPHRAGME | 1 | 1 | 1 | |

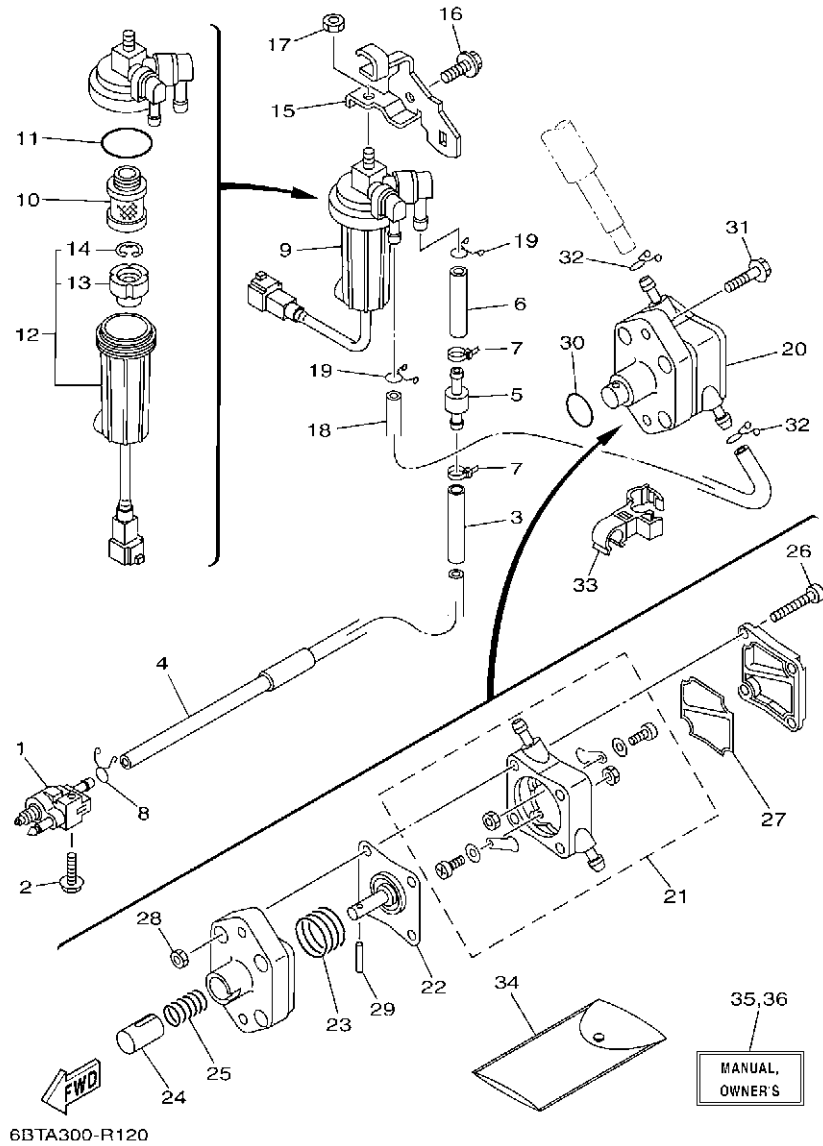


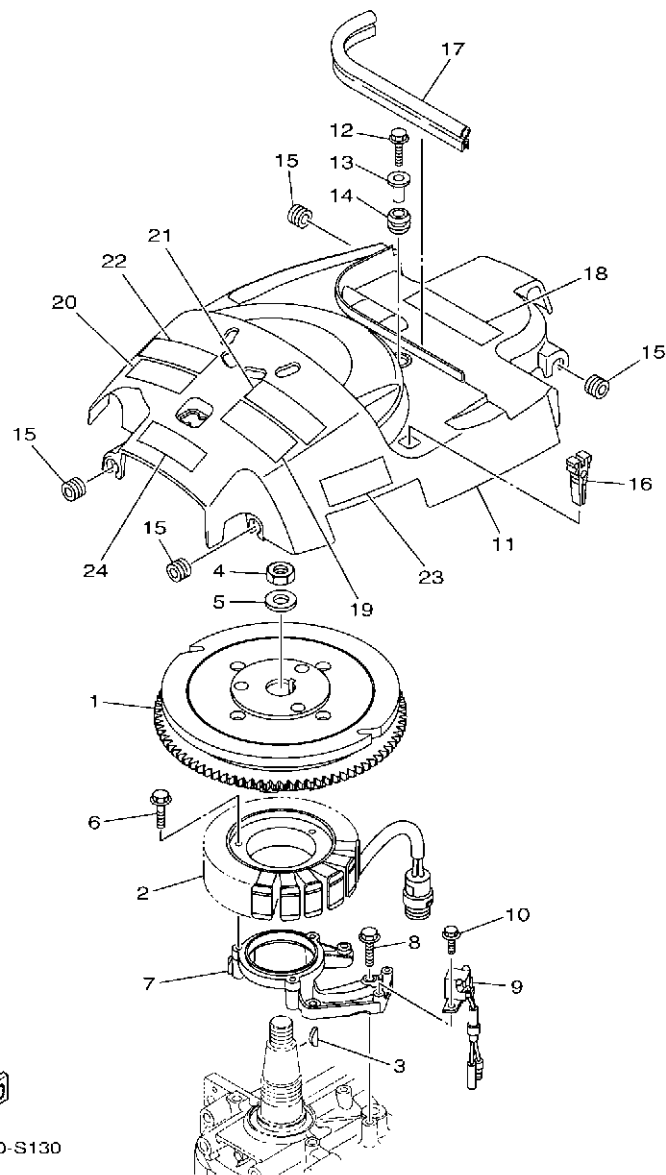
FIG. 12 FUEL

CARBURANT

| REF. NO. | PART NO. N° PIECES | DESCRIPTION DESCRIPTION | ET | ED | EHD | REMARKS REMARQUES |
|----------|--------------------|---|----|----|-----|--------------------|
| 28 | 95380-05600 | .NUT .ECROU | 4 | 4 | 4 | |
| 29 | 62Y-24374-01 | .PIN .PIN | 1 | 1 | 1 | |
| 30 | 93210-24M79 | O-RING JOINT TORIQUE | 1 | 1 | 1 | |
| 31 | 97E95-06530 | BOLT, HEXAGON W/W DEEP RECESS VIS HEXAGONAL AVC RONDELLE | 2 | 2 | 2 | |
| 32 | 90467-10M04 | CLIP JONC | 2 | 2 | 2 | |
| 33 | 90464-12012 | CLAMP BRIDE | 1 | 1 | 1 | |
| 34 | 6C5-28100-00 | TOOL KIT TROUSSE A OUTILS | 1 | 1 | 1 | AP AP |
| 35 | 6BG-28199-7C-E0 | MANUAL, OWNER'S MANUEL D'UTILISATION | 1 | 1 | 1 | UR (E) UR (E) |
| | 6BG-28199-7C-F0 | MANUAL, OWNER'S MANUEL D'UTILISATION | 1 | 1 | 1 | UR (F) UR (F) |
| | 6BG-28199-7C-S0 | MANUAL, OWNER'S MANUEL D'UTILISATION | 1 | 1 | 1 | UR (ES) UR (ES) |
| | 6BG-28199-7C-G0 | MANUAL, OWNER'S MANUEL D'UTILISATION | 1 | 1 | 1 | UR (D) UR (D) |
| | 6BG-28199-7C-D0 | MANUAL, OWNER'S MANUEL D'UTILISATION | 1 | 1 | 1 | UR (NL) UR (NL) |
| | 6BG-28199-7C-H0 | MANUAL, OWNER'S MANUEL D'UTILISATION | 1 | 1 | 1 | UR (I) UR (I) |
| 36 | 6BG-28199-8C-K0 | MANUAL, OWNER'S MANUEL D'UTILISATION | 1 | 1 | 1 | UR (DK) UR (DK) |
| | 6BG-28199-8C-R0 | MANUAL, OWNER'S MANUEL D'UTILISATION | 1 | 1 | 1 | UR (GR) UR (GR) |
| | 6BG-28199-8C-P0 | MANUAL, OWNER'S MANUEL D'UTILISATION | 1 | 1 | 1 | UR (P) UR (P) |
| | 6BG-28199-8C-N0 | MANUAL, OWNER'S MANUEL D'UTILISATION | 1 | 1 | 1 | UR (N) UR (N) |
| | 6BG-28199-8C-M0 | MANUAL, OWNER'S MANUEL D'UTILISATION | 1 | 1 | 1 | UR (S) UR (S) |
| | 6BG-28199-8C-L0 | MANUAL, OWNER'S MANUEL D'UTILISATION | 1 | 1 | 1 | UR (SF) UR (SF) |

FIG. 13 GENERATOR

GENERATRICE

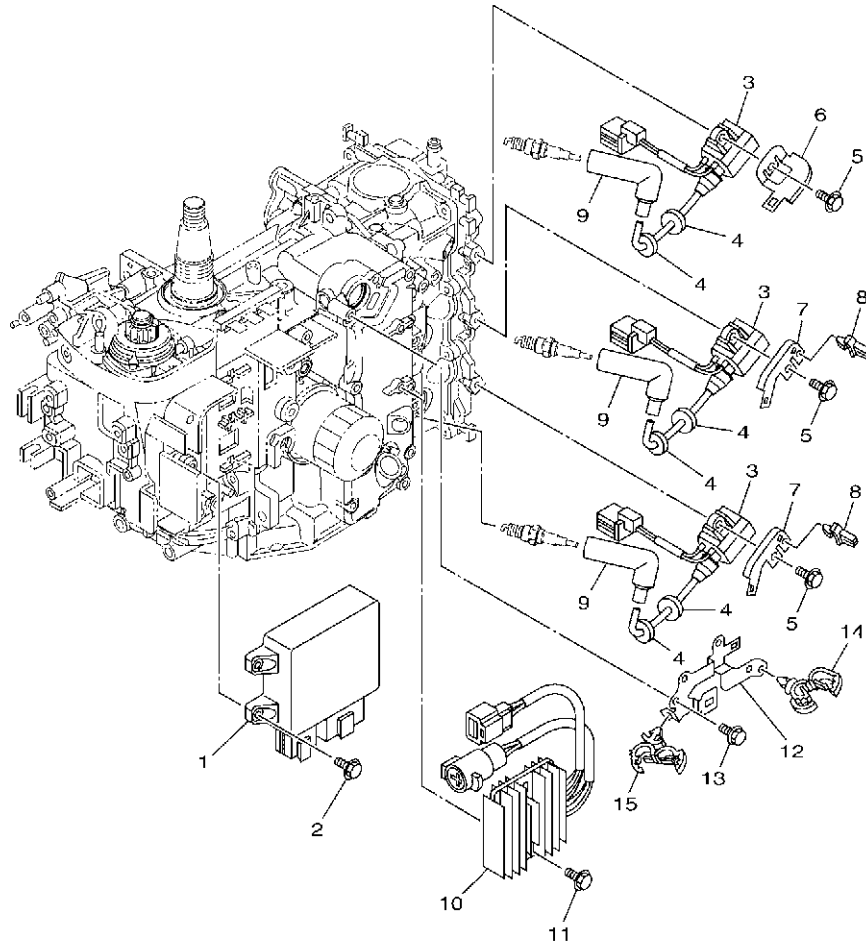


6BGB300-S130

| REF. NO. | PART NO. N° PIECES | DESCRIPTION DESCRIPTION | Et | Ed | EHD | REMARKS REMARQUES |
|----------|--------------------|---|----|----|-----|-------------------|
| 1 | 6BG-81450-00 | ROTOR ASSY ROTOR COMPLET | 1 | 1 | 1 | |
| 2 | 6BG-81410-00 | STATOR ASSY STATOR COMPLET | 1 | 1 | 1 | |
| 3 | 6H4-11545-00 | KEY, WOODRUFF CLAVETTE, DEMI-LUNE | 1 | 1 | 1 | |
| 4 | 90170-20137 | NUT ECROU | 1 | 1 | 1 | |
| 5 | 90201-21M18 | WASHER, PLATE RONDELLE, PLATE | 1 | 1 | 1 | |
| 6 | 95023-06030 | BOLT BOULON, A COLLERETTE | 3 | 3 | 3 | |
| 7 | 6BG-85561-00-94 | BASE, MAGNETO BASE, MAGNETO | 1 | 1 | 1 | |
| 8 | 95023-06030 | BOLT BOULON, A COLLERETTE | 4 | 4 | 4 | |
| 9 | 6AH-85580-00 | COIL, PULSER BOBINE, PULSEUR | 1 | 1 | 1 | |
| 10 | 97595-05516 | BOLT, WITH WASHER VIS HEXAGONAL AVC RONDELLE | 2 | 2 | 2 | |
| 11 | 6BG-81337-10 | COVER, FLYWHEEL COUVERCLE, VOLANT | 1 | 1 | 1 | |
| 12 | 95D95-06020 | BOLT, FLANGE DEEP RECESS BOULON FIXATION | 1 | 1 | 1 | |
| 13 | 90387-06285 | COLLAR COLLERETTE | 1 | 1 | 1 | |
| 14 | 90480-15M31 | GROMMET PASSE-FIL | 1 | 1 | 1 | |
| 15 | 90480-12314 | GROMMET PASSE-FIL | 4 | 4 | 4 | |
| 16 | 67F-2812A-00 | PULLER, FUSE TENDEUR, FUSIBLE | 1 | 1 | 1 | |
| 17 | 6BG-42617-00 | DAMPER, FORM BOURRELET, CAOUTCHOUC | 1 | 1 | 1 | |
| 18 | 6BG-13437-61 | MARK, CAUTION MAKER | 1 | 1 | 1 | |
| 19 | 6EE-81995-40 | LABEL, WARNING ETIQUETTE, AVERTISSEMENT | 1 | 1 | 1 | |
| 20 | 6EE-81995-50 | LABEL, WARNING ETIQUETTE, AVERTISSEMENT | 1 | 1 | 1 | |
| 21 | 6EE-81994-40 | LABEL, SAFETY ETIQUETTE, SECURITE | 1 | 1 | 1 | |
| 22 | 6EE-81994-50 | LABEL, SAFETY ETIQUETTE, SECURITE | 1 | 1 | 1 | |
| 23 | 6BG-81919-00 | GRAPHIC, REGULATOR ADHESIF, REGULATEUR | 1 | 1 | 1 | |
| 24 | 6AG-81996-00 | MARK MARQUE | 1 | 1 | | |

FIG. 14 ELECTRICAL 1

PARTIE ELECTRIQUE 1

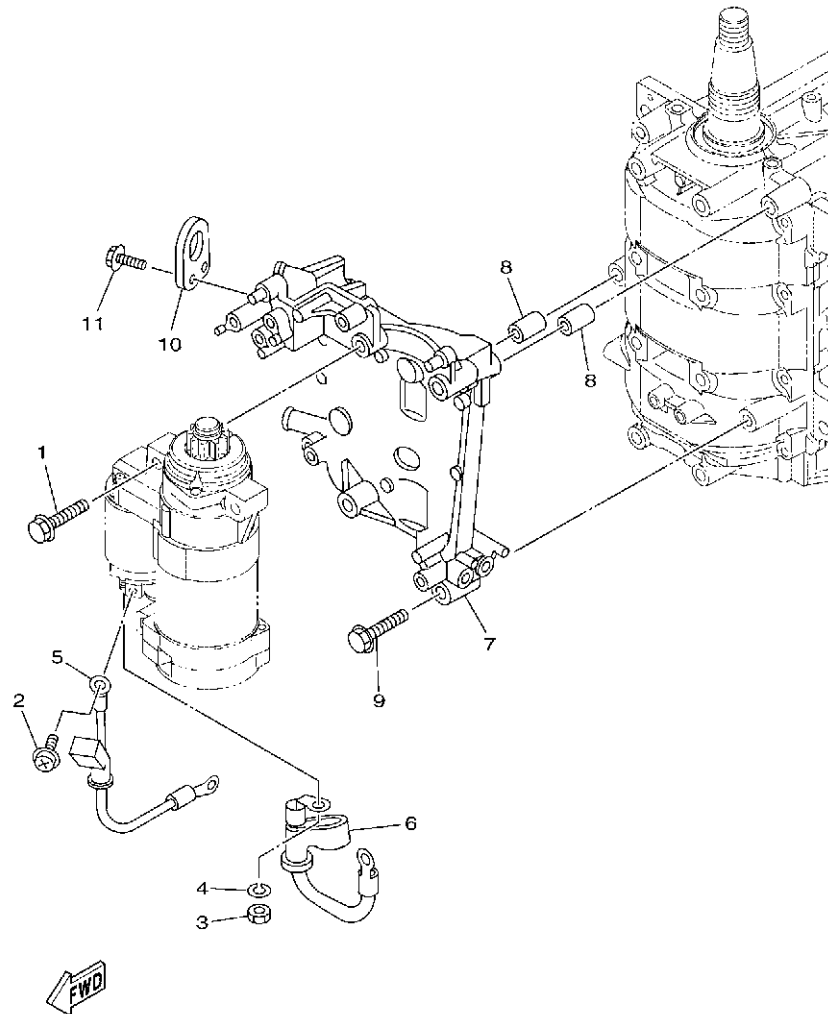


6BTB100-S140

| REF. NO. | PART NO. N° PIECES | DESCRIPTION DESCRIPTION | Et | Ed | Ehd | REMARKS REMARQUES |
|----------|--------------------|---|----|----|-----|----------------------|
| 1 | 6BG-8591A-04 | ENGINE CONTROL UNIT ASSY BLOC DE CONTROL | 1 | 1 | 1 | F40F |
| | 6BT-8591A-03 | ENGINE CONTROL UNIT ASSY BLOC DE CONTROL | 1 | 1 | | F40F F30B F30B |
| 2 | 97E95-06525 | BOLT, HEXAGON W/W DEEP RECESS VIS HEXAGONAL AVC RONDELLE | 4 | 4 | 4 | |
| 3 | 6BG-85570-00 | IGNITION COIL ASSY BOBINE D'ALLUMAGE (ENS.) | 3 | 3 | 3 | |
| 4 | 90480-25003 | GROMMET PASSE-FIL | 6 | 6 | 6 | |
| 5 | 97E95-06525 | BOLT, HEXAGON W/W DEEP RECESS VIS HEXAGONAL AVC RONDELLE | 3 | 3 | 3 | |
| 6 | 6BG-82398-00 | PLATE 3 PLAQUETTE 3 | 1 | 1 | 1 | |
| 7 | 6BG-82389-00 | PLATE 2 PLAQUETTE 2 | 2 | 2 | 2 | |
| 8 | 90464-06001 | CLAMP BRIDE | 2 | 2 | 2 | |
| 9 | 6AH-82370-00 | PLUG CAP ASSY ANTIPARASITE | 3 | 3 | 3 | |
| 10 | 6BG-81960-00 | RECTIFIER & REGULATOR ASSY REDRESSEUR REGULATEUR CPLT | 1 | 1 | 1 | |
| 11 | 97E95-06525 | BOLT, HEXAGON W/W DEEP RECESS VIS HEXAGONAL AVC RONDELLE | 2 | 2 | 2 | |
| 12 | 6BG-81528-00 | CLAMP 1 COLLIER 1 | 1 | 1 | 1 | |
| 13 | 97E95-06516 | BOLT, HEXAGON W/W DEEP RECESS VIS HEXAGONAL AVC RONDELLE | 2 | 2 | 2 | |
| 14 | 90464-13249 | CLAMP BRIDE | 3 | 3 | 3 | |
| 15 | 90464-18246 | CLAMP BRIDE | 1 | 1 | 1 | |

FIG. 15 ELECTRICAL 2

PARTIE ELECTRIQUE 2

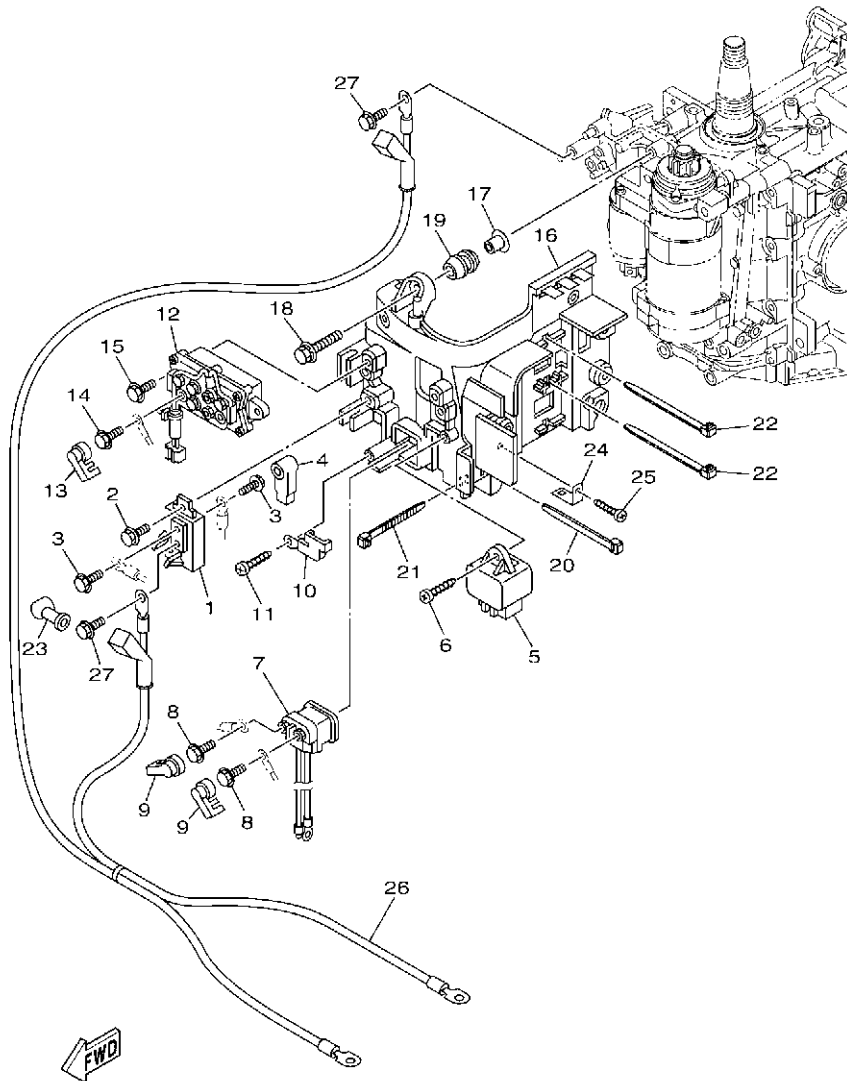


6BTB100-S150

| REF. NO. | PART NO. N° PIECES | DESCRIPTION DESCRIPTION | ET | ED | EHD | REMARKS REMARQUES |
|----------|--------------------|---|----|----|-----|-------------------|
| 1 | 97513-08545 | BOLT, WITH WASHER VIS HEXAGONAL AVC RONDELLE | 3 | 3 | 3 | |
| 2 | 90159-05M12 | SCREW, WITH WASHER VIS, AVEC RONDELLE | 1 | 1 | 1 | |
| 3 | 95333-08600 | NUT ECROU | 1 | 1 | 1 | |
| 4 | 92903-08100 | WASHER, SPRING RONDELLE, GROWER | 1 | 1 | 1 | |
| 5 | 6BG-81815-00 | CORD, STARTER MOTOR FIL, DEMARREUR ELECTRIQUE | 1 | 1 | 1 | |
| 6 | 6BG-82115-00 | WIRE, PLUS LEAD FIL, POSITIF | 1 | 1 | 1 | |
| 7 | 6BG-81822-00 | BRACKET, STARTING MOTOR SUPPORT, DEMARREUR ELECTRIQUE | 1 | 1 | 1 | |
| 8 | 99530-10114 | PIN, DOWEL GOUJON, D'ASSEMBLAGE | 2 | 2 | 2 | |
| 9 | 97E95-08545 | BOLT, HEXAGON W/W DEEP RECESS VIS HEXAGONAL AVC RONDELLE | 4 | 4 | 4 | |
| 10 | 62Y-11119-00 | HANGER, ENGINE ANNEAU, LEVAGE | 1 | 1 | 1 | |
| 11 | 97E95-06520 | BOLT, HEXAGON W/W DEEP RECESS VIS HEXAGONAL AVC RONDELLE | 2 | 2 | 2 | |

FIG. 16 ELECTRICAL 3

PARTIE ELECTRIQUE 3

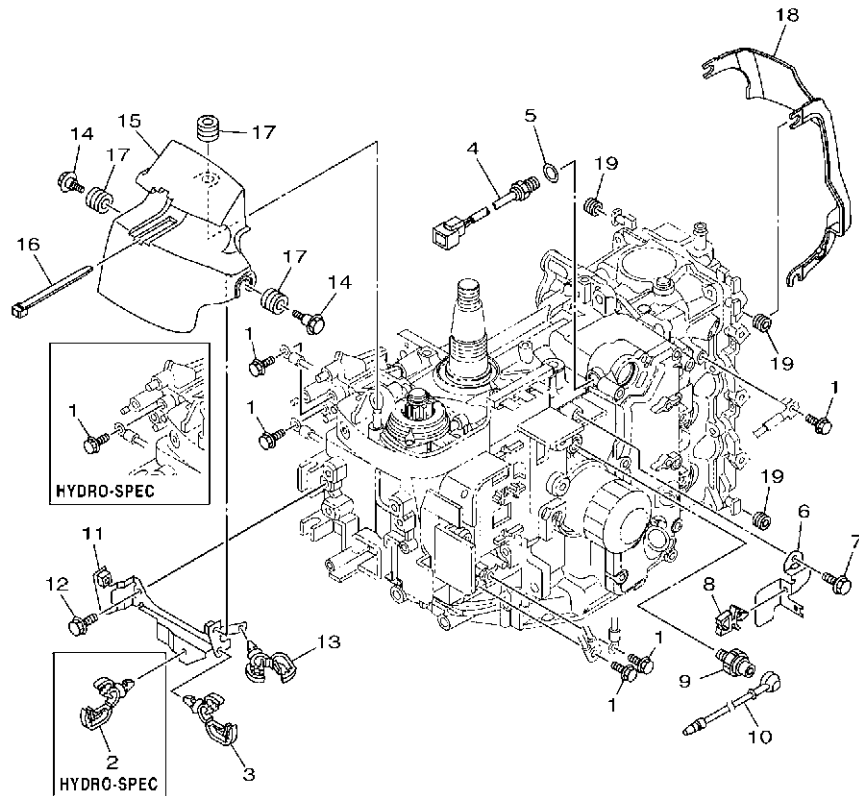


6BTB100-S160

| REF. NO. | PART NO. N° PIECES | DESCRIPTION DESCRIPTION | Et | Ed | EHD | REMARKS REMARQUES |
|----------|--------------------|--|----|----|-----|-------------------|
| 1 | 6BG-81925-00 | TERMINAL BORNE | 1 | 1 | 1 | |
| 2 | 97E95-06516 | BOLT, HEXAGON W/W DEEP RECESS VIS HEXAGONAL AVC RONDELLE | 1 | 1 | 1 | |
| 3 | 97E95-06610 | BOLT, HEXAGON W/W DEEP RECESS VIS HEXAGONAL AVC RONDELLE | 2 | 2 | 2 | |
| 4 | 682-82119-01 | COVER, LEAD WIRE GARNITURE, FIL | 1 | 1 | 1 | |
| 5 | 60E-81950-00 | RELAY ASSY RELAIS COMPLET | 1 | 1 | 1 | |
| 6 | 97780-60620 | SCREW, TAPPING VIS, TETE BOMBEE | 1 | 1 | 1 | |
| 7 | 6AW-8194A-00 | RELAY RELAIS | 1 | 1 | 1 | |
| 8 | 97E95-06610 | BOLT, HEXAGON W/W DEEP RECESS VIS HEXAGONAL AVC RONDELLE | 2 | 2 | 2 | |
| 9 | 6P2-8183X-00 | CAP, TERMINAL COUVERCLE, BORNE | 2 | 2 | 2 | |
| 10 | 68F-81953-00 | STAY, RELAY SUPPORT, RELAIS | 1 | 1 | 1 | |
| 11 | 97780-60620 | SCREW, TAPPING VIS, TETE BOMBEE | 1 | 1 | 1 | |
| 12 | 63P-81950-00 | RELAY ASSY RELAIS COMPLET | 1 | | | |
| 13 | 6P2-8183X-00 | CAP, TERMINAL COUVERCLE, BORNE | 2 | | | |
| 14 | 97E95-06610 | BOLT, HEXAGON W/W DEEP RECESS VIS HEXAGONAL AVC RONDELLE | 2 | | | |
| 15 | 97E95-06520 | BOLT, HEXAGON W/W DEEP RECESS VIS HEXAGONAL AVC RONDELLE | 2 | | | |
| 16 | 6BG-81948-01 | BRACKET SUPPORT | 1 | 1 | 1 | |
| 17 | 90387-06119 | COLLAR COLLERETTE | 6 | 6 | 6 | |
| 18 | 95D95-06025 | BOLT, FLANGE DEEP RECESS BOULON FIXATION | 6 | 6 | 6 | |
| 19 | 6A0-82317-00 | DAMPER, IGNITION COIL AMORTISSEUR, BOBINE D'ALLUM | 6 | 6 | 6 | |
| 20 | 90465-13M24 | CLAMP BRIDE | 1 | 1 | 1 | |
| 21 | 90465-13M39 | CLAMP BRIDE | 1 | 1 | 1 | |
| 22 | 90465-14M66 | CLAMP BRIDE | 2 | 2 | 2 | |
| 23 | 6G5-82119-00 | COVER, LEAD WIRE GARNITURE, FIL | 1 | 1 | 1 | |
| 24 | 68V-85548-01 | HOLDER SUPPORT | 1 | 1 | 1 | |
| 25 | 97780-60620 | SCREW, TAPPING VIS, TETE BOMBEE | 1 | 1 | 1 | |
| 26 | 6BG-82105-01 | BATTERY CABLE CABLE DE BATTERIE | 1 | 1 | 1 | AP |
| 27 | 97E95-06516 | BOLT, HEXAGON W/W DEEP RECESS VIS HEXAGONAL AVC RONDELLE | 2 | 2 | 2 | AP AP AP |

FIG. 17 ELECTRICAL 4

PARTIE ELECTRIQUE 4

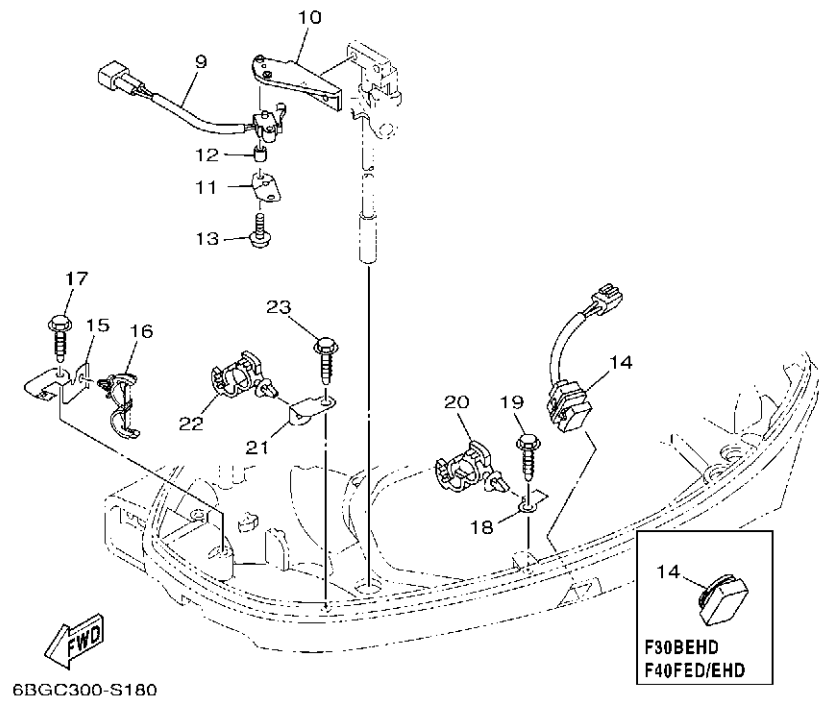
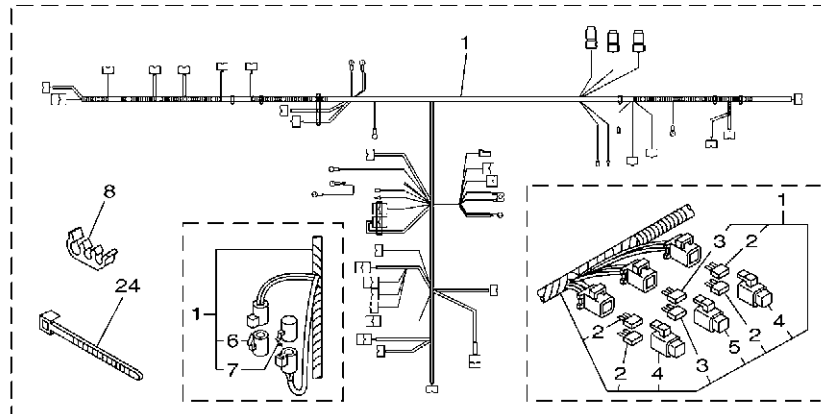


6BTB100-S170

| REF. NO. | PART NO. N° PIECES | DESCRIPTION DESCRIPTION | ET | ED | EHD | REMARKS REMARQUES |
|----------|--------------------|---|----|----|-----|-------------------|
| 1 | 97E95-06516 | BOLT, HEXAGON W/W DEEP RECESS VIS HEXAGONAL AVC RONDELLE | 5 | | | |
| | 97E95-06516 | BOLT, HEXAGON W/W DEEP RECESS VIS HEXAGONAL AVC RONDELLE | | 4 | 4 | |
| 2 | 90464-13249 | CLAMP BRIDE | | 1 | 1 | |
| 3 | 90464-13249 | CLAMP BRIDE | 1 | 1 | 1 | |
| 4 | 6CJ-85790-00 | THERMOSENSOR ASSY SENSITOMETRE | 1 | 1 | 1 | |
| 5 | 90430-14115 | GASKET JOINT | 1 | 1 | 1 | |
| 6 | 6BG-82388-00 | PLATE PLAQUETTE | 1 | 1 | 1 | |
| 7 | 97E95-06516 | BOLT, HEXAGON W/W DEEP RECESS VIS HEXAGONAL AVC RONDELLE | 1 | 1 | 1 | |
| 8 | 90464-06001 | CLAMP BRIDE | 1 | 1 | 1 | |
| 9 | 64J-82504-00 | OIL PRESSURE SWITCH ASSY CONTACTEUR DE PRESSION D'HUILE | 1 | 1 | 1 | |
| 10 | 68V-81315-00 | LEAD WIRE ASSY FIL | 1 | 1 | 1 | |
| 11 | 6BG-8257V-00 | PLATE, CONNECTOR PLAQUE, CONNECTEUR | 1 | 1 | 1 | |
| 12 | 97E95-06516 | BOLT, HEXAGON W/W DEEP RECESS VIS HEXAGONAL AVC RONDELLE | 2 | 2 | 2 | |
| 13 | 90464-18246 | CLAMP BRIDE | 1 | 1 | 1 | |
| 14 | 90109-06MA1 | BOLT BOULON | 2 | 2 | 2 | |
| 15 | 6BG-81942-00 | COVER COUVERCLE | 1 | 1 | 1 | |
| 16 | 90465-13M24 | CLAMP BRIDE | 1 | 1 | 1 | |
| 17 | 90480-12314 | GROMMET PASSE-FIL | 3 | 3 | 3 | |
| 18 | 6BG-11192-00 | COVER, CYLINDER HEAD 2 COUVERCLE, CULASSE 2 | 1 | 1 | 1 | |
| 19 | 90480-12314 | GROMMET PASSE-FIL | 3 | 3 | 3 | |

FIG. 18 ELECTRICAL 5

PARTIE ELECTRIQUE 5



| REF. NO. | PART NO. N° PIECES | DESCRIPTION DESCRIPTION | ET | ED | EHD | REMARKS REMARQUES |
|----------|--------------------|--|----|----|-----|--------------------------------------|
| 1 | 6BG-82590-05 | WIRE HARNESS ASSY FAISCEAU DE FILS COMPLET | 1 | | | |
| | 6BG-82590-14 | WIRE HARNESS ASSY FAISCEAU DE FILS COMPLET | | 1 | 1 | |
| 2 | 67F-82151-00 | .FUSE (20A) .FUSIBLE (20A) | 4 | 4 | 4 | |
| 3 | 67F-82151-10 | .FUSE (30A) .FUSIBLE (30A) | 2 | 2 | 2 | |
| 4 | 67F-8215B-10 | .CAP (YELLOW) .BOUCHON (YELLOW) | 2 | 2 | 2 | |
| 5 | 67F-8215B-20 | .CAP (GREEN) .BOUCHON (GREEN) | 1 | 1 | 1 | |
| 6 | 6P2-82582-00 | .CAP 1 (FEMALE) .BOUCHON 1 (FEMME) | 1 | | | FOR 6BG-82590-05 FOR 6BG-82590-05 |
| 7 | 6P2-82582-10 | .CAP 1 (MALE) .BOUCHON 1 (MALE) | 1 | | | FOR 6BG-82590-05 FOR 6BG-82590-05 |
| 8 | 90464-11008 | CLAMP BRIDE | 1 | 1 | 1 | |
| 9 | 60V-8259F-00 | SWITCH ASSY COMMUTATEUR | 1 | 1 | 1 | |
| 10 | 6CJ-82554-00 | STAY, NEUTRAL SWITCH SUPPORT, CONT DE POINT-MORT | 1 | 1 | 1 | |
| 11 | 61A-82588-01 | PLATE PLAQUE | 1 | 1 | 1 | |
| 12 | 90387-04001 | COLLAR COLLERETTE | 1 | 1 | 1 | |
| 13 | 97985-04116 | SCREW, WITH WASHER VIS, AVEC RONDELLE | 2 | 2 | 2 | |
| 14 | 6FM-82563-01 | TRIM & TILT SWITCH ASSY INCLINER ET PARER COMMUTATEUR | 1 | | | |
| | 6FM-42723-00 | COVER, BOTTOM COUVERCLE | | 1 | 1 | |
| 15 | 6BG-42811-01 | STAY SUPPORT | 1 | 1 | 1 | |
| 16 | 90464-18205 | CLAMP BRIDE | 1 | 1 | 1 | |
| 17 | 90109-06M86 | BOLT BOULON | 1 | 1 | 1 | |
| 18 | 6BG-42743-00 | BRACKET SUPPORT | 1 | 1 | 1 | |
| 19 | 90109-06M86 | BOLT BOULON | 1 | 1 | 1 | |
| 20 | 90464-20181 | CLAMP BRIDE | 1 | 1 | 1 | |
| 21 | 63P-42756-00 | STAY, CLAMP SUPPORT, COLLIER | 1 | 1 | 1 | |
| 22 | 90464-20181 | CLAMP BRIDE | 1 | 1 | 1 | |
| 23 | 90109-06M86 | BOLT BOULON | 1 | 1 | 1 | |
| 24 | 90465-13M97 | CLAMP BRIDE | 1 | 1 | 1 | |

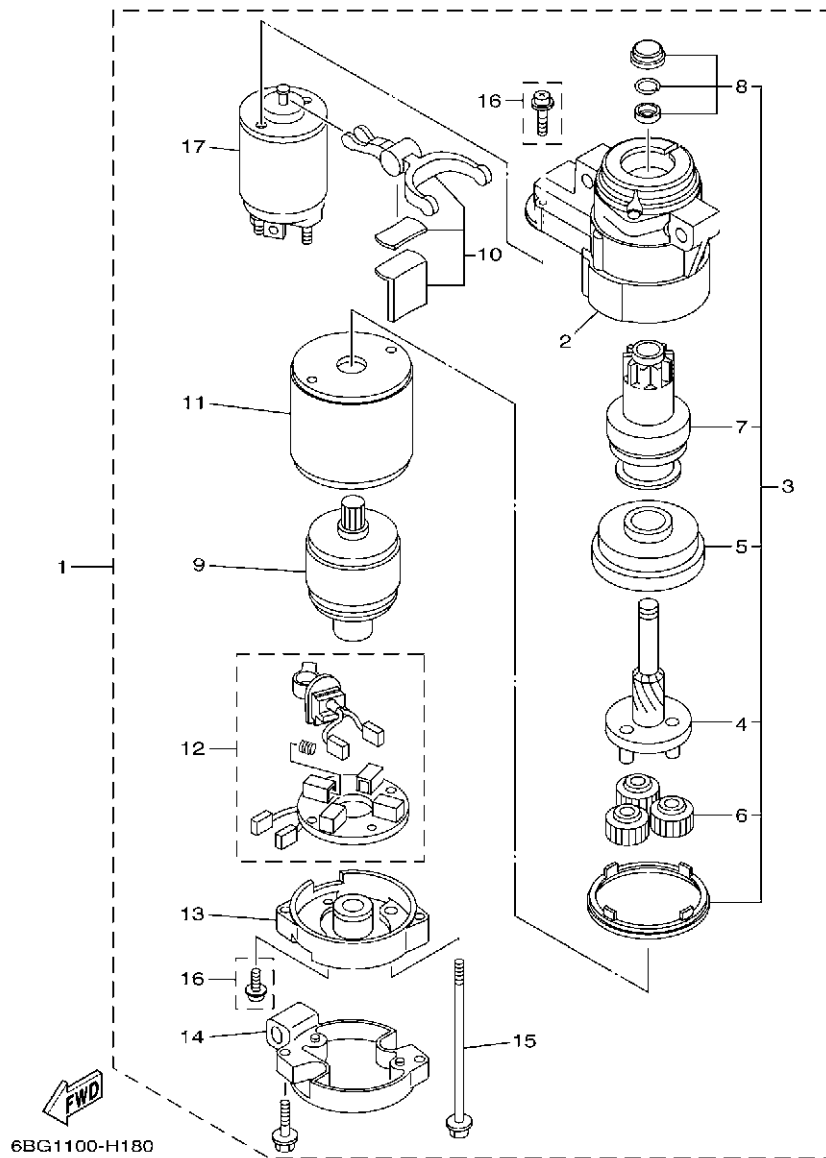


FIG. 19 STARTING MOTOR

DEMARREUR ELECTRIQUE

| REF. NO. | PART NO. N° PIECES | DESCRIPTION DESCRIPTION | ET | ED | EHD | REMARKS REMARQUES |
|----------|--------------------|---|----|----|-----|-------------------|
| 1 | 6BG-81800-00 | STARTING MOTOR ASSY DEMARREUR ELECTRIQUE COMPLET | 1 | 1 | 1 | |
| 2 | 6BG-81830-00 | .FRONT BRACKET ASSY .SUPPORT AVANT | 1 | 1 | 1 | |
| 3 | 6BG-81807-00 | .GEAR ASSY, STARTING MOTOR .PIGNON, DEMARREUR ELECTRIQUE | 1 | 1 | 1 | |
| 4 | 6BG-81836-00 | .SPRING, LEVER .RESSORT, LEVIER | 1 | 1 | 1 | |
| 5 | 6BG-81891-00 | .GEAR, RING .ROUE DENTEE | 1 | 1 | 1 | |
| 6 | 6AW-8183T-00 | .GEAR, IDLER .PIGNON, INTERMEDIAIRE | 3 | 3 | 3 | |
| 7 | 6BG-81832-00 | .CLUTCH, OVER RUN .EMBAYAGE, ROUE LIBRE | 1 | 1 | 1 | |
| 8 | 6BG-81857-00 | .PINION STOPPER SET .BUTEE PIGNON | 1 | 1 | 1 | |
| 9 | 6BG-81850-00 | .ARMATURE ASSY .INDUIT | 1 | 1 | 1 | |
| 10 | 6BG-81839-00 | .LEVER ASSY .LEVIER COMPLET | 1 | 1 | 1 | |
| 11 | 6BG-81810-00 | .STATOR ASSY .STATOR COMPLET | 1 | 1 | 1 | |
| 12 | 6BG-81840-00 | .BRUSH HOLDER ASSY .SUPPORT DE CHARBON | 1 | 1 | 1 | |
| 13 | 6BG-81820-00 | .REAR BRACKET ASSY .SUPPORT ARRIERE COMPLET | 1 | 1 | 1 | |
| 14 | 6BG-8182J-00 | .BRACKET COMPLETE .SUPPORTE COMPLETE | 1 | 1 | 1 | |
| 15 | 6BG-81826-00 | .BOLT .BOULON | 2 | 2 | 2 | |
| 16 | 6BG-81846-00 | .SCREW SET .VIS | 1 | 1 | 1 | |
| 17 | 6BG-81941-00 | .STARTER RELAY ASSY .LANCEUR RELAIS (ENS.) | 1 | 1 | 1 | |

FIG. 20 BOTTOM COWLING 1

CAPOT INFERIEUR 1

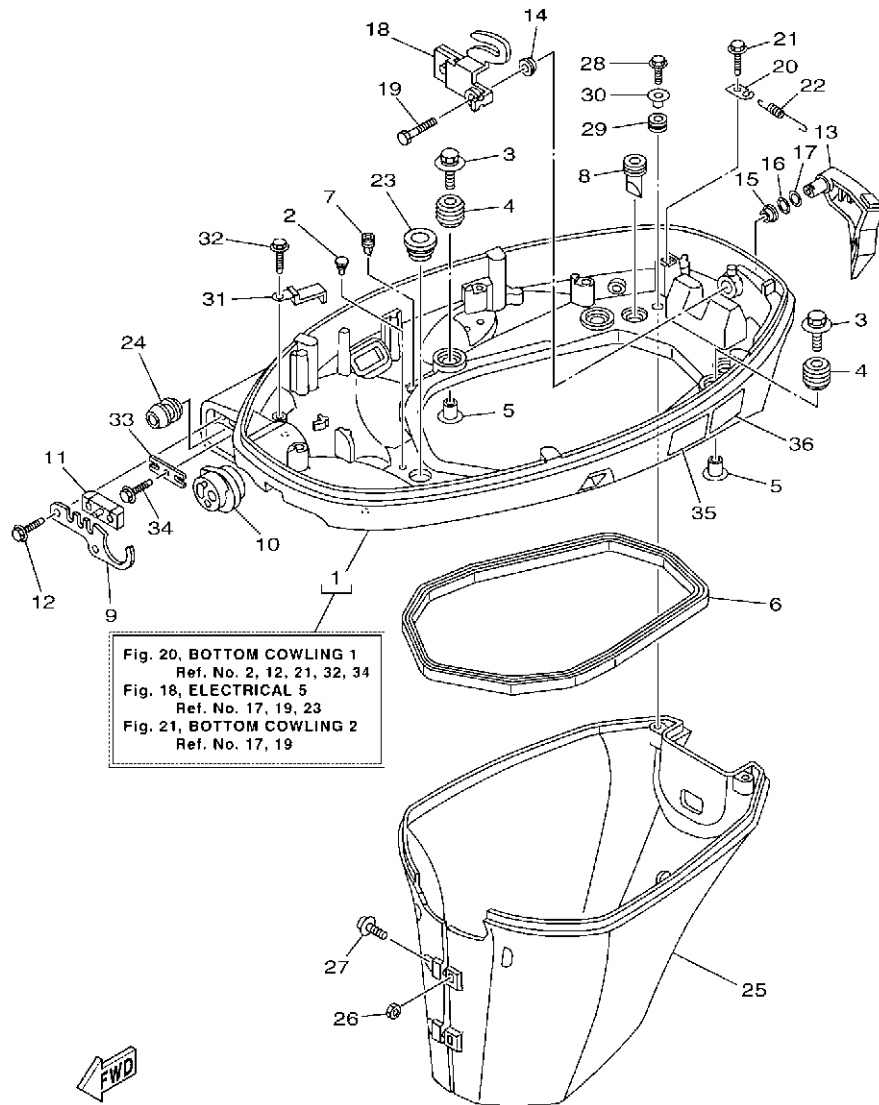


Fig. 20, BOTTOM COWLING 1
 Ref. No. 2, 12, 21, 32, 34
 Fig. 18, ELECTRICAL 5
 Ref. No. 17, 19, 23
 Fig. 21, BOTTOM COWLING 2
 Ref. No. 17, 19

6BTD100 T200

| REF. NO. | PART NO. N° PIECES | DESCRIPTION DESCRIPTION | ET | ED | EHD | REMARKS REMARQUES |
|----------|--------------------|--|----|----|-----|----------------------|
| 1 | 6BG-42710-02-8D | BOTTOM COWLING ASSY ENS. EMBASE | 1 | 1 | 1 | |
| 2 | 6H4-42748-00 | GROMMET PASSE-FIL | 3 | 3 | 3 | |
| 3 | 90119-06M61 | BOLT, WITH WASHER BOULON, AVEC RONDELLE | 4 | 4 | 4 | |
| 4 | 6BG-42748-00 | GROMMET PASSE-FIL | 4 | 4 | 4 | |
| 5 | 90387-06M69 | COLLAR COLLERETTE | 4 | 4 | 4 | |
| 6 | 62Y-42716-00 | RUBBER SEAL 1 JOINT EN CAOUTCHOUC 1 | 1 | 1 | 1 | |
| 7 | 65W-42717-00 | RUBBER, SEAL 2 JOINT EN CAOUTCHOUC 2 | 2 | 2 | 2 | |
| 8 | 61A-42717-00 | RUBBER, SEAL 2 JOINT EN CAOUTCHOUC 2 | 2 | 2 | 2 | |
| 9 | 6BG-42761-00 | STOPPER PLAQUETTE | 1 | 1 | 1 | |
| 10 | 6BG-42725-00 | GROMMET PASSE-FIL | 1 | 1 | 1 | |
| 11 | 6BG-42727-00 | GROMMET PASSE-FIL | 1 | 1 | 1 | |
| 12 | 90109-06316 | BOLT BOULON | 2 | 2 | 2 | |
| 13 | 6BG-42815-00-8D | LEVER, CLAMP 1 LEVIER, PRESSE 1 | 1 | 1 | 1 | |
| 14 | 90386-12M37 | BUSH DOUILLE | 1 | 1 | 1 | |
| 15 | 90386-12MA2 | BUSH DOUILLE | 1 | 1 | 1 | |
| 16 | 90206-12052 | WASHER, WAVE RONDELLE, ONDULEE | 1 | 1 | 1 | |
| 17 | 90201-12M07 | WASHER, PLATE RONDELLE, PLATE | 1 | 1 | 1 | |
| 18 | 6BG-42816-00 | LEVER, CLAMP 2 LEVIER, PRESSE 2 | 1 | 1 | 1 | |
| 19 | 97D95-06014 | BOLT, HEXAGON DEEP RECESS VIS HEXAGONAL | 1 | 1 | 1 | |
| 20 | 66T-43144-00 | HOOK, SPRING CROCHET | 1 | 1 | 1 | |
| 21 | 90109-06M86 | BOLT BOULON | 1 | 1 | 1 | |
| 22 | 90506-18M40 | SPRING, TENSION RESSORT, TENSION | 1 | 1 | 1 | |
| 23 | 68U-42727-00 | GROMMET PASSE-FIL | 1 | 1 | 1 | |
| 24 | 6BG-24329-00 | SEAL JOINT | 1 | 1 | 1 | |
| 25 | 6BG-42741-00-8D | APRON CAPOT LATERAL | 1 | 1 | 1 | S(16.3") S(16.3") |
| | 6BG-42741-10-8D | APRON CAPOT LATERAL | 1 | 1 | 1 | L(21.1") L(21.1") |
| 26 | 95380-06600 | NUT, HEXAGON ECROU | 2 | 2 | 2 | |

FIG. 20 BOTTOM COWLING 1

CAPOT INFERIEUR 1

| REF. NO. | PART NO. N° PIECES | DESCRIPTION DESCRIPTION | ET | ED | EHD | REMARKS REMARQUES |
|----------|--------------------|--|----|----|-----|-------------------|
| 27 | 97980-06325 | SCREW, WITH WASHER VIS, AVEC RONDELLE | 2 | 2 | 2 | |
| 28 | 90109-06M80 | BOLT BOULON | 2 | 2 | 2 | |
| 29 | 90480-13M24 | GROMMET PASSE-FIL | 2 | 2 | 2 | |
| 30 | 90387-06M43 | COLLAR COLLERETTE | 2 | 2 | 2 | |
| 31 | 90462-20005 | CLAMP BRIDE | 1 | 1 | 1 | |
| 32 | 90109-06M86 | BOLT BOULON | 1 | 1 | 1 | |
| 33 | 6BG-48538-00 | CLAMP, CABLE 1 COLLIER | 1 | 1 | 1 | |
| 34 | 90109-06316 | BOLT BOULON | 1 | 1 | 1 | |
| 35 | 6EE-42794-40 | LABEL, WARNING (GENERAL) ETIQUETTE, AVERTISSEMENT | 1 | 1 | 1 | |
| 36 | 6EE-42794-50 | LABEL, WARNING (GENERAL) ETIQUETTE, AVERTISSEMENT | 1 | 1 | 1 | |

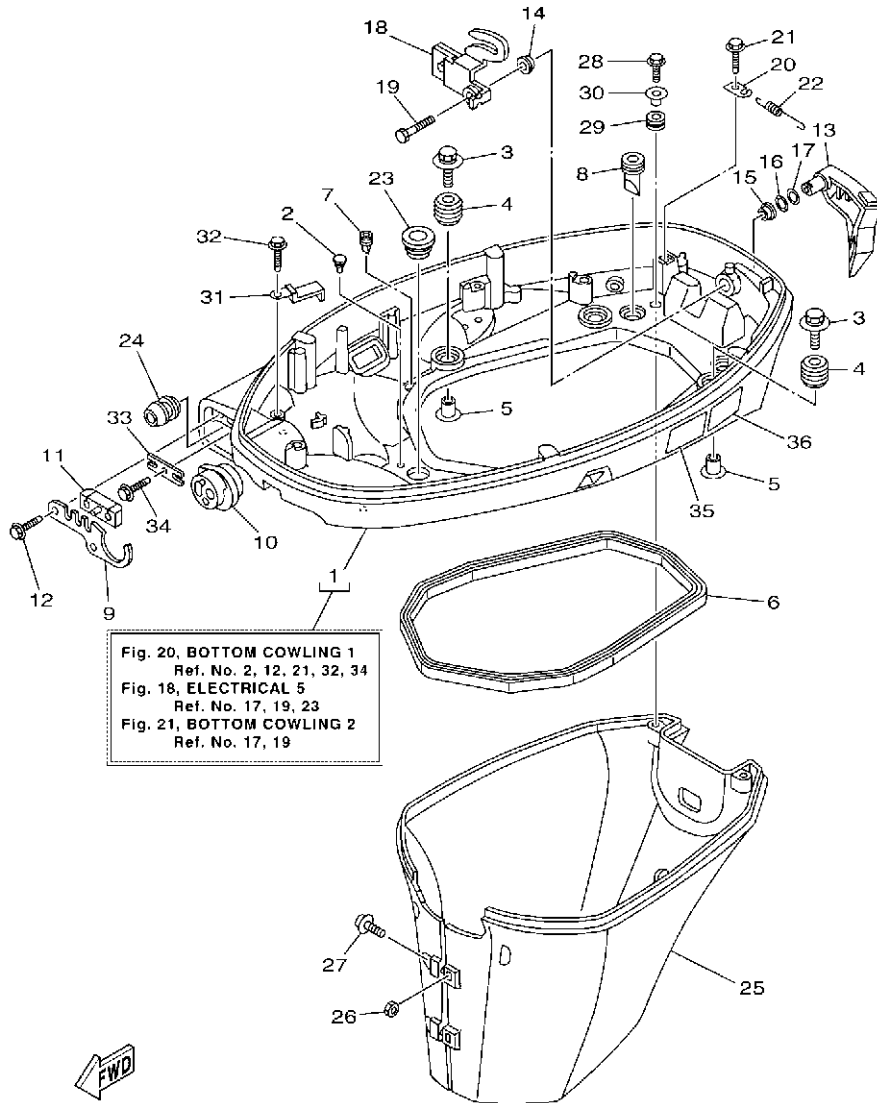
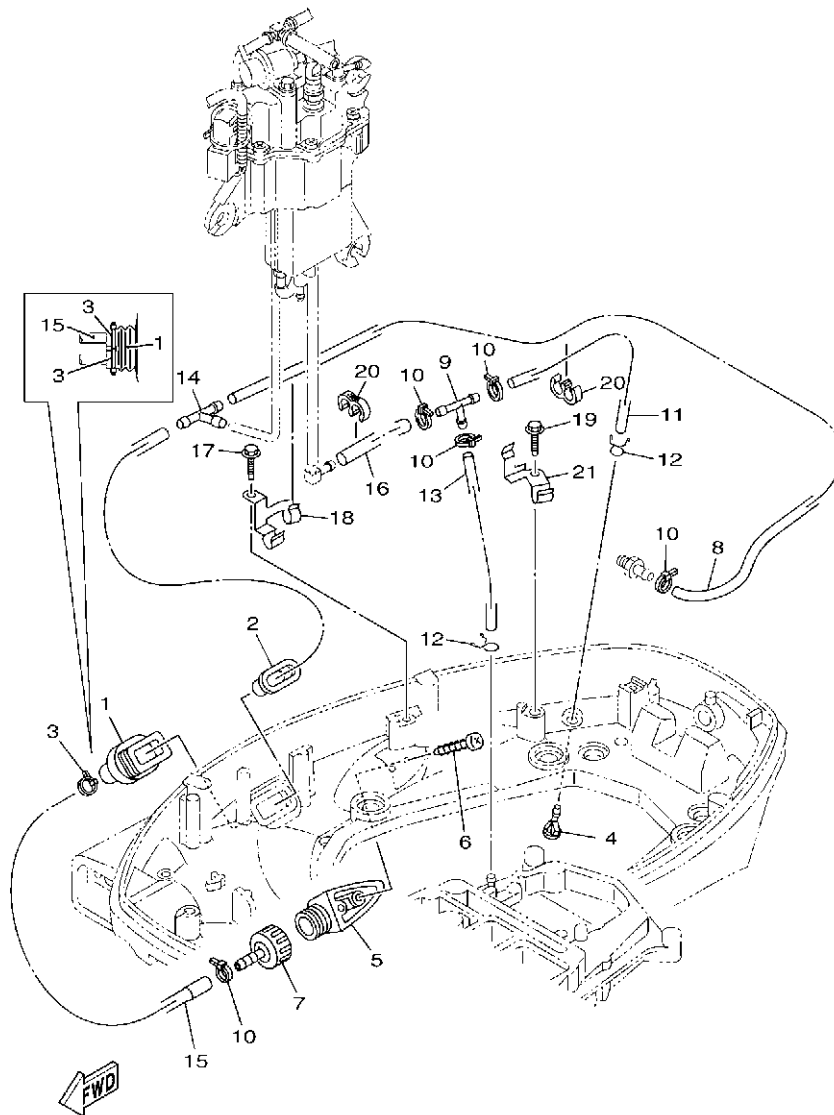


Fig. 20, BOTTOM COWLING 1
Ref. No. 2, 12, 21, 32, 34
Fig. 18, ELECTRICAL 5
Ref. No. 17, 19, 23
Fig. 21, BOTTOM COWLING 2
Ref. No. 17, 19

6BTD100 T200

FIG. 21 BOTTOM COWLING 2

CAPOT INFERIEUR 2

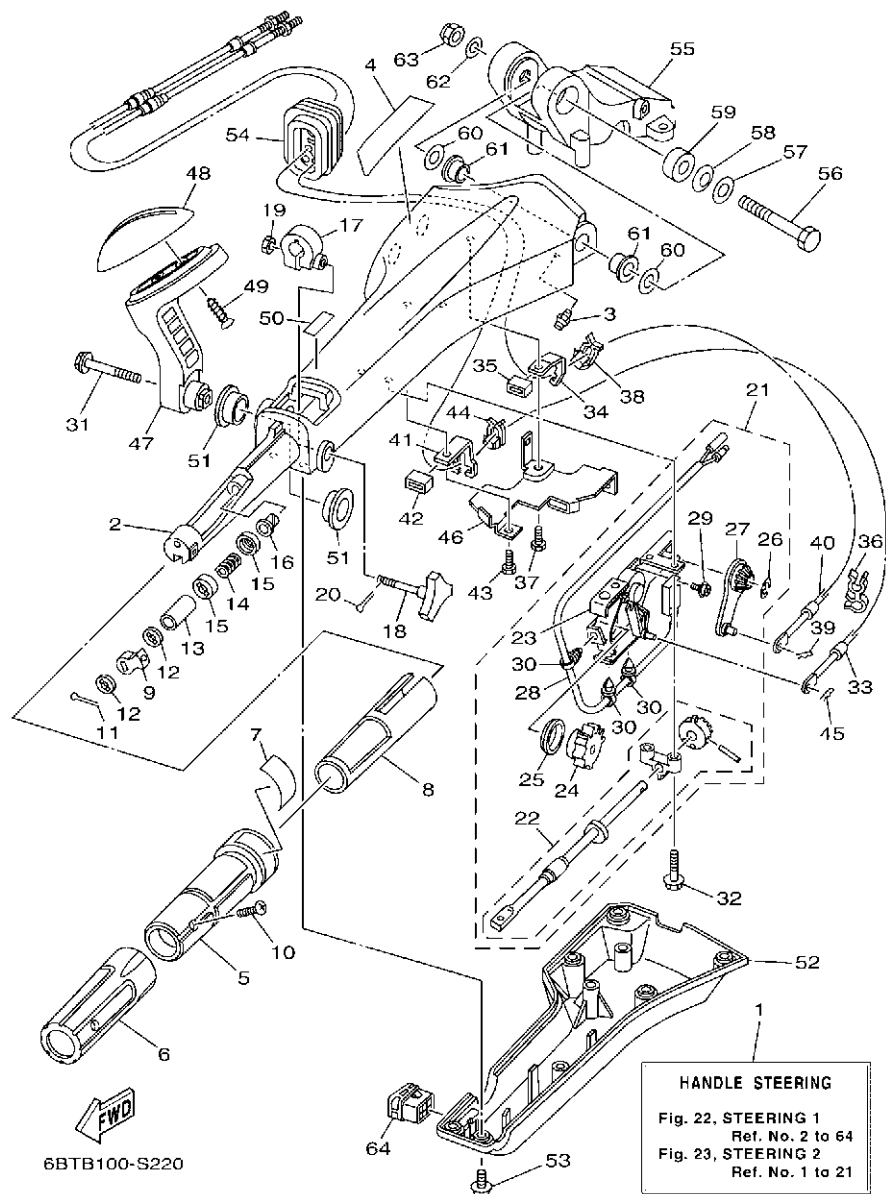


6BGC200 S210

| REF. NO. | PART NO. N° PIECES | DESCRIPTION DESCRIPTION | ET | ED | EHD | REMARKS REMARQUES |
|----------|--------------------|-------------------------------------|----|----|-----|-------------------|
| 1 | 6H1-42726-21 | GROMMET PASSE-FIL | 1 | 1 | 1 | |
| 2 | 6BG-42384-00 | SEAL, CAP JOINT, CAPUCHON | 1 | 1 | 1 | |
| 3 | 90465-11M10 | CLAMP BRIDE | 2 | 2 | 2 | |
| 4 | 6BG-44391-00 | NIPPLE, HOSE RACCORD D'ESSENCE | 1 | 1 | 1 | |
| 5 | 6AW-12572-00 | ADAPTER ADAPTATEUR | 1 | 1 | 1 | |
| 6 | 97780-60520 | SCREW, TAPPING VIS, TETE BOMBEE | 2 | 2 | 2 | |
| 7 | 6R3-12580-00 | JOINT ASSY ARTICULER (ENS.) | 1 | 1 | 1 | |
| 8 | 6BG-42541-00 | PIPE 1 TUYAU 1 | 1 | 1 | 1 | |
| 9 | 688-24378-00 | PIPE, JOINT 3 DURITE RACCORDEMENT 3 | 1 | 1 | 1 | |
| 10 | 90465-11M10 | CLAMP BRIDE | 5 | 5 | 5 | |
| 11 | 6BG-42542-00 | PIPE TUYAU | 1 | 1 | 1 | |
| 12 | 90467-08M18 | CLIP JONC | 2 | 2 | 2 | |
| 13 | 6BG-24314-00 | PIPE 4 DURITE 4 | 1 | 1 | 1 | |
| 14 | 688-24378-00 | PIPE, JOINT 3 DURITE RACCORDEMENT 3 | 1 | 1 | 1 | |
| 15 | 6BG-12481-00 | PIPE 1 DURITE 1 | 1 | 1 | 1 | |
| 16 | 90445-09091 | HOSE (L135) DURITE (L135) | 1 | 1 | 1 | |
| 17 | 90109-06M86 | BOLT BOULON | 1 | 1 | 1 | |
| 18 | 6BG-24135-01 | CLAMP 1 COLLIER 1 | 1 | 1 | 1 | |
| 19 | 90109-06M86 | BOLT BOULON | 1 | 1 | 1 | |
| 20 | 90464-09M21 | CLAMP BRIDE | 2 | 2 | 2 | |
| 21 | 6BG-24136-01 | CLAMP 2 COLLIER 2 | 1 | 1 | 1 | |

FIG. 22 STEERING 1

DIRECTION 1



| REF. NO. | PART NO. N° PIECES | DESCRIPTION DESCRIPTION | ET | ED | EHD | REMARKS REMARQUES |
|----------|--------------------|---|----|----|-----|-------------------|
| 1 | 6X4-42101-K7 | HANDLE, STEERING POIGNEE | | | 1 | |
| 2 | 6X4-42111-02-8D | HANDLE, STEERING POIGNEE | | | 1 | |
| 3 | 93700-06002 | NIPPLE, GREASE PION | | | 1 | |
| 4 | 6X4-48215-00 | GRAPHIC ADHESIF | | | 1 | |
| 5 | 6X4-42119-01 | GRIP, STEERING HANDLE POIGNEE, BARRE FRANCHE | | | 1 | |
| 6 | 6X4-42177-00 | RUBBER, HANDLE CAOUTCHOUC, POIGNEE | | | 1 | |
| 7 | 6X4-42137-00 | INDICATOR, THROTTLE INDICATEUR, ACCELERATION | | | 1 | |
| 8 | 6X4-41291-00 | BUSHING COUSSINET | | | 1 | |
| 9 | 6X4-44139-01 | COLLAR COLLIER | | | 1 | |
| 10 | 90152-05007 | SCREW, COUNTERSUNK VIS, TETE NOYEE | | | 1 | |
| 11 | 91490-20010 | PIN, COTTER GOUPILLE | | | 1 | |
| 12 | 6X4-44177-00 | WASHER RONDELLE | | | 2 | |
| 13 | 6X4-42128-00 | COLLAR, DISTANCE 1 COLLIER, D'ENTRETOISE 1 | | | 1 | |
| 14 | 90501-23215 | SPRING, COMPRESSION RESSORT, COMPRESSION | | | 1 | |
| 15 | 6X4-44188-00 | WASHER RONDELLE | | | 2 | |
| 16 | 90386-08032 | BUSH DOUILLE | | | 1 | |
| 17 | 63D-42126-00 | FRICTION, STEERING HANDLE GRIP CUVETTE, POIGNEE DE DIRECTION | | | 1 | |
| 18 | 6X4-48154-00 | KNOB, THROTTLE BOUTON, ACCELERATEUR | | | 1 | |
| 19 | 95380-06600 | NUT, HEXAGON ECROU | | | 1 | |
| 20 | 91490-20010 | PIN, COTTER GOUPILLE | | | 1 | |
| 21 | 6X4-44100-01 | SHIFT LINK ASSY MAILLON DE SELECTEUR | | | 1 | |
| 22 | 6X4-42115-00 | .SHAFT, STEERING HANDLE .AXE, BARRE FRANCHE | | | 1 | |
| 23 | 6X4-44102-00 | .SHIFT ASSIST ASSY. .SELECTEUR DE MAINTIEN | | | 1 | |
| 24 | 6X4-47731-01 | .GEAR, DRIVE .PIGNON D'ENTRAINEMENT | | | 1 | |
| 25 | 6X4-44132-00 | .BUSHING .COUSSINET | | | 1 | |
| 26 | 6X4-14137-00 | .CLIP .JONC | | | 1 | |
| 27 | 6X4-48261-00 | .ARM, THROTTLE .BRAS, ACCELERATION | | | 1 | |

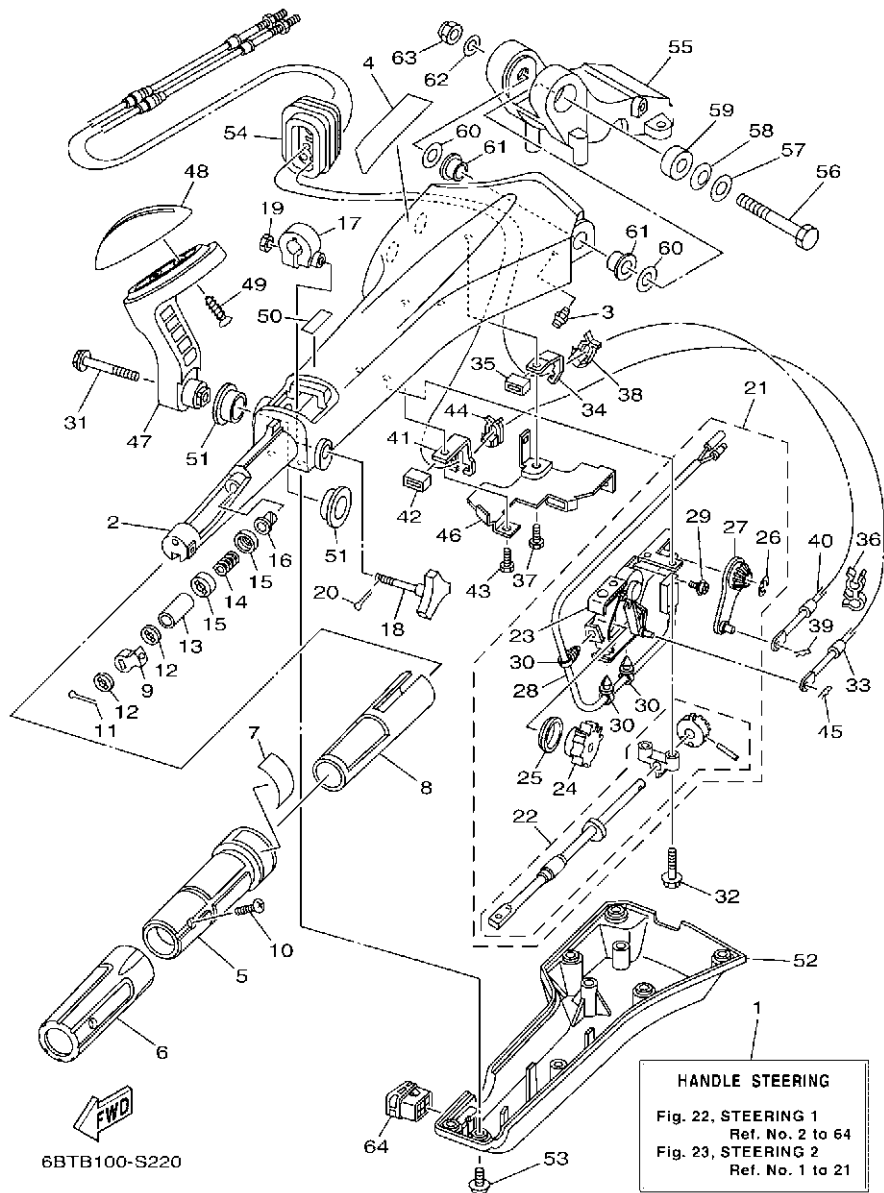


FIG. 22 STEERING 1

DIRECTION 1

| REF. NO. | PART NO. N° PIECES | DESCRIPTION DESCRIPTION | ET | ED | EHD | REMARKS REMARQUES |
|----------|--------------------|---|----|----|-----|-------------------|
| 28 | 6X4-82540-00 | .NEUTRAL SWITCH ASSY .CONTACTEUR DE POINT-MORT | | | 1 | |
| 29 | 703-48129-00 | .SCREW 3 .VIS 3 | | | 2 | |
| 30 | 6X4-42821-00 | .BAND, CLAMP .BRIDE, COLLIER | | | 3 | |
| 31 | 97E95-08540 | BOLT, HEXAGON W/W DEEP RECESS VIS HEXAGONAL AVC RONDELLE | | | 1 | |
| 32 | 97E95-06530 | BOLT, HEXAGON W/W DEEP RECESS VIS HEXAGONAL AVC RONDELLE | | | 2 | |
| 33 | 67C-48321-11 | CABLE CABLE | | | 1 | |
| 34 | 6X4-48538-00 | CLAMP, CABLE 1 COLLIER | | | 1 | |
| 35 | 6X4-26367-00 | PROTECTOR PROTECTEUR | | | 1 | |
| 36 | 90464-09M42 | CLAMP BRIDE | | | 1 | |
| 37 | 97D95-06014 | BOLT, HEXAGON DEEP RECESS VIS HEXAGONAL | | | 1 | |
| 38 | 63D-48538-00 | CLAMP, CABLE 1 COLLIER | | | 1 | |
| 39 | 90468-10005 | CLIP JONC | | | 1 | |
| 40 | 69W-26301-00 | THROTTLE CABLE ASSY CABLE D'ACCELERATEUR | | | 1 | |
| 41 | 6X4-48538-10 | CLAMP, CABLE 1 COLLIER | | | 1 | |
| 42 | 6X4-26367-00 | PROTECTOR PROTECTEUR | | | 1 | |
| 43 | 97D95-06014 | BOLT, HEXAGON DEEP RECESS VIS HEXAGONAL | | | 1 | |
| 44 | 63D-48538-00 | CLAMP, CABLE 1 COLLIER | | | 1 | |
| 45 | 90468-10005 | CLIP JONC | | | 1 | |
| 46 | 6X4-42159-00 | STAY SUPPORT | | | 1 | |
| 47 | 6X4-44159-A0-8D | HANDLE, GEAR SHIFT POIGNEE, LEVIER D'EMBRAYAGE | | | 1 | |
| 48 | 6X4-44173-00 | LEVER, SHIFT CONTROL POIGNEE, INVERSION | | | 1 | |
| 49 | 97780-60920 | SCREW, TAPPING VIS, TETE BOMBEE | | | 2 | |
| 50 | 6X3-44191-00 | INDICATOR, SHIFT ETIQUETTE, EMBRAYAGE | | | 1 | |
| 51 | 90386-26MA3 | BUSH DOUILLE | | | 2 | |
| 52 | 6X4-42131-11 | COVER, HANDLE STEERING COUVERCLE | | | 1 | |
| 53 | 97985-06216 | SCREW, WITH WASHER VIS, AVEC RONDELLE | | | 6 | |
| 54 | 6X4-42725-01 | GROMMET PASSE-FIL | | | 1 | |

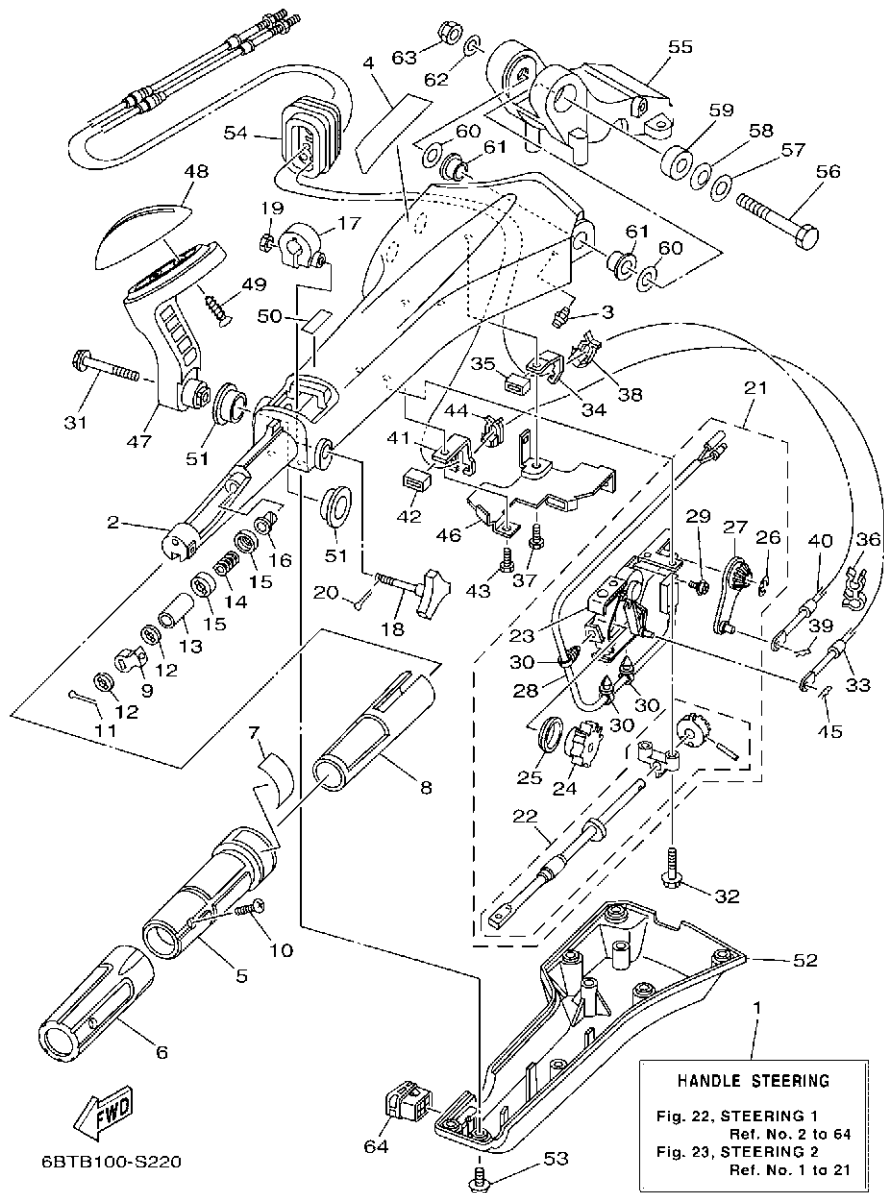


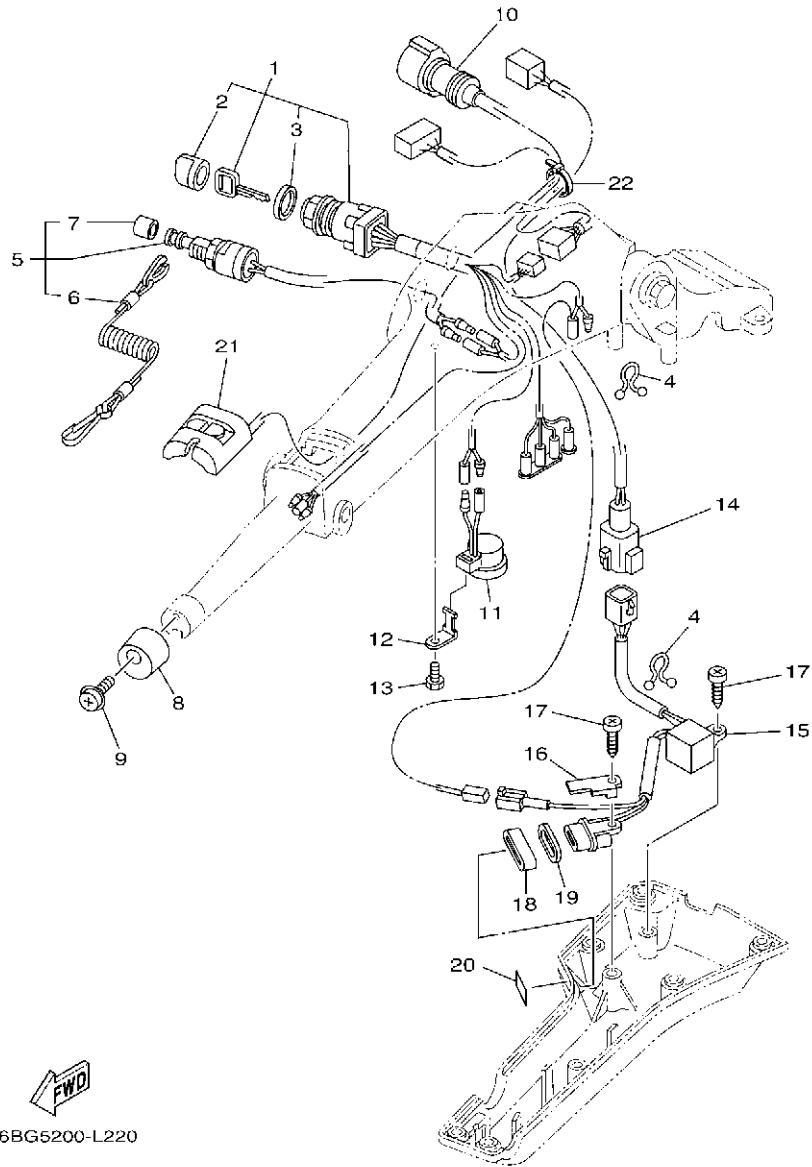
FIG. 22 STEERING 1

DIRECTION 1

| REF. NO. | PART NO. N° PIECES | DESCRIPTION DESCRIPTION | ET | ED | EHD | REMARKS REMARQUES |
|----------|--------------------|--|----|----|-----|-------------------|
| 55 | 63D-42121-22-8D | BRACKET SUPPORT | | | 1 | |
| 56 | 90101-12014 | BOLT BOULON | | | 1 | |
| 57 | 92990-12200 | WASHER, PLAIN RONDELLE, PLATE | | | 1 | |
| 58 | 90206-12M22 | WASHER, WAVE RONDELLE, ONDULEE | | | 1 | |
| 59 | 90387-12M02 | COLLAR COLLERETTE | | | 1 | |
| 60 | 90201-12035 | WASHER, PLATE RONDELLE, PLATE | | | 2 | |
| 61 | 90386-12003 | BUSH DOUILLE | | | 2 | |
| 62 | 92990-12600 | WASHER, PLATE RONDELLE, PLATE | | | 1 | |
| 63 | 90185-12M12 | NUT, SELF-LOCKING ECROU, AUTO-BLOQUANT | | | 1 | |
| 64 | 6X4-42728-10 | CAP CAPUCHON | | | 1 | |

FIG. 23 STEERING 2

DIRECTION 2

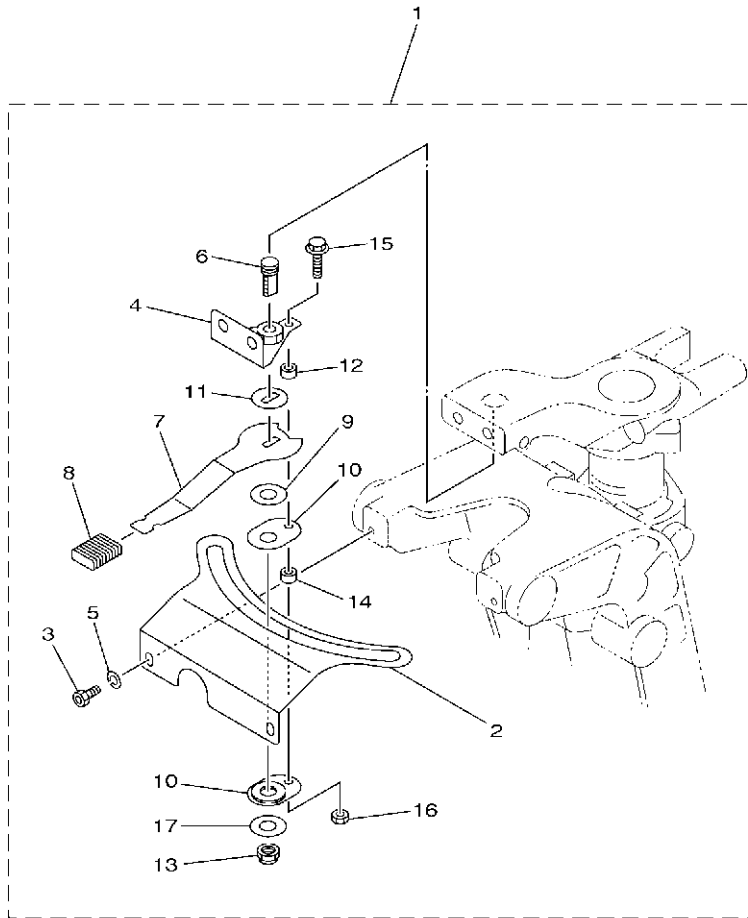


6BG5200-L220

| REF. NO. | PART NO. N° PIECES | DESCRIPTION DESCRIPTION | ET | ED | EHD | REMARKS REMARQUES |
|----------|--------------------|--|----|----|-----|-------------------|
| 1 | 6X4-82510-41 | MAIN SWITCH ASSY CONTACTEUR A CLEF COMPLET | | | 1 | |
| 2 | 676-82577-01 | .CAP, KEY .CABOCHON | | | 1 | |
| 3 | 703-82532-00 | .CAP .COUVERCLE | | | 1 | |
| 4 | 90464-08M07 | CLAMP BRIDE | | | 2 | |
| 5 | 69W-82575-00 | ENGINE STOP SWITCH ASSY COUPE CIRCUIT CPLT | | | 1 | |
| 6 | 682-82556-00 | .LANYARD, STOP SWITCH .CORDON DU COUPE CIRCUIT | | | 1 | |
| 7 | 689-8257Y-00 | .CAP .COUVERCLE | | | 1 | |
| 8 | 6X4-42728-00 | CAP CAPUCHON | | | 1 | |
| 9 | 97980-06216 | SCREW, WITH WASHER VIS, AVEC RONDELLE | | | 1 | |
| 10 | 6X4-82586-10 | EXT., WIRE HARNESS (L:950MM) EXT., FAISCEAU DE FILS (L:950MM) | | | 1 | |
| 11 | 6X4-83383-00 | BUZZER RONFLEUR | | | 1 | |
| 12 | 6X4-83386-00 | STAY, BUZZER SUPPOR, RONFLEUR | | | 1 | |
| 13 | 97D95-06014 | BOLT, HEXAGON DEEP RECESS VIS HEXAGONAL | | | 1 | |
| 14 | 6X4-83653-20 | WIRE, LEAD (L:700MM) FIL (L:700MM) | | | 1 | |
| 15 | 6C5-84301-00 | PILOT LIGHT ASSY 1 LAMPE-TEMOIN 1 | | | 1 | |
| 16 | 6X4-44114-00 | STOPPER PLAQUETTE | | | 1 | |
| 17 | 97780-60620 | SCREW, TAPPING VIS, TETE BOMBEE | | | 2 | |
| 18 | 6X4-42727-00 | GROMMET PASSE-FIL | | | 1 | |
| 19 | 6FM-83589-00 | GASKET GARNITURE | | | 1 | |
| 20 | 6X4-85415-00 | MARK, SIGNAL LAMP ETIQUETTE | | | 1 | |
| 21 | 6X4-81860-00 | SWITCH ASSY COMMUTATEUR COMPLET | | | 1 | |
| 22 | 90465-13M36 | CLAMP BRIDE | | | 1 | |

FIG. 24 STEERING FRICTION

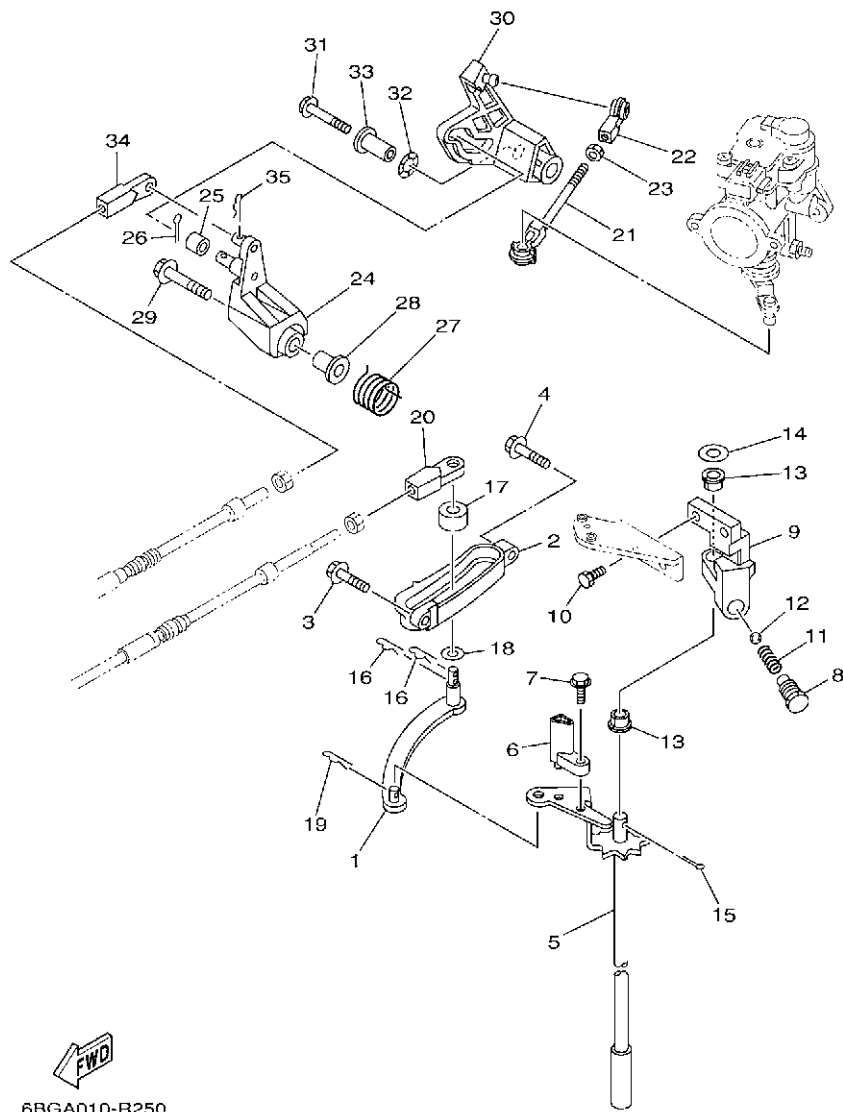
CUVETTE POIGNEE DE DIRECTION



| REF. NO. | PART NO. N° PIECES | DESCRIPTION DESCRIPTION | ET | ED | EHD | REMARKS REMARQUES |
|----------|--------------------|---|----|----|-----|-------------------|
| 1 | 67C-42508-04 | STEERING FRICTION ASSY DIRECTION FRICTION (ENS.) | | | 1 | |
| 2 | 67C-42527-03 | .PLATE, FRICTION .PLAQUE, FRICTION | | | 1 | |
| 3 | 90109-06M88 | .BOLT .BOULON | | | 2 | |
| 4 | 67C-42525-00 | .PLATE, FRICTION .PLAQUE, FRICTION | | | 1 | |
| 5 | 92990-06100 | .WASHER, SPRING .RONDELLE, GROWER | | | 2 | |
| 6 | 67C-42562-A0 | .SHAFT, STEERING LOCK .ARBRE, ANTIVOL DE DIRECTION | | | 1 | |
| 7 | 67C-42561-00 | .KNOB, STEERING LOCK .BOUTON | | | 1 | |
| 8 | 689-43633-00 | .COVER, TILT LEVER .COUVERCLE | | | 1 | |
| 9 | 90202-10M56 | .WASHER, PLATE .RONDELLE, PLATE | | | 1 | |
| 10 | 65W-42528-00 | .PLATE, FRICTION .PLAQUE, FRICTION | | | 2 | |
| 11 | 90209-10M26 | .WASHER .RONDELLE | | | 1 | |
| 12 | 90387-05053 | .COLLAR .COLLERETTE | | | 1 | |
| 13 | 90185-10M14 | .NUT, SELF-LOCKING .ECROU, AUTO-BLOQUANT | | | 1 | |
| 14 | 90387-05054 | .COLLAR .COLLERETTE | | | 1 | |
| 15 | 97595-05520 | .BOLT, WITH WASHER .VIS HEXAGONAL AVC RONDELLE | | | 1 | |
| 16 | 95380-05600 | .NUT .ECROU | | | 1 | |
| 17 | 90201-106M5 | .WASHER, PLATE .RONDELLE, PLATE | | | 1 | |



6BTB100-S240



6BGA010-R250

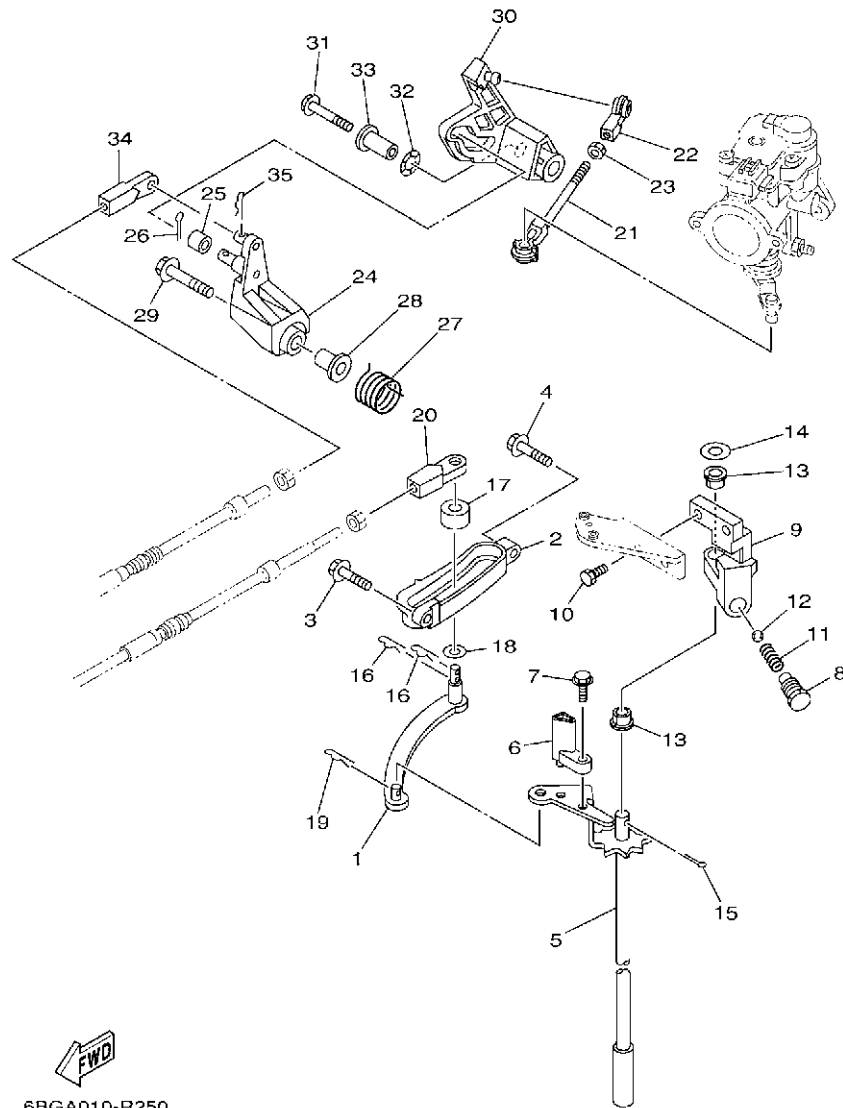
FIG. 25 CONTROL

COMMANDE

| REF. NO. | PART NO. N° PIECES | DESCRIPTION DESCRIPTION | EI | ED | EHD | REMARKS REMARQUES |
|----------|--------------------|---|----|----|-----|----------------------|
| 1 | 69W-44121-00 | LEVER, SHIFT ROD LEVIER, TIGE D'INVERSION | 1 | 1 | 1 | |
| 2 | 62Y-44117-01 | BRACKET SUPPORT | 1 | 1 | 1 | |
| 3 | 97E95-06520 | BOLT, HEXAGON W/W DEEP RECESS VIS HEXAGONAL AVC RONDELLE | 1 | 1 | 1 | |
| 4 | 97E95-06525 | BOLT, HEXAGON W/W DEEP RECESS VIS HEXAGONAL AVC RONDELLE | 1 | 1 | 1 | |
| 5 | 6BG-44120-01 | HANDLE GEAR SHIFT ASSY LEVIER D'EMBAYAGE | 1 | | 1 | S(16.3") S(16.3") |
| 6 | 6C5-44120-02 | HANDLE GEAR SHIFT ASSY LEVIER D'EMBAYAGE | 1 | 1 | 1 | L(21.1") L(21.1") |
| 6 | 6C5-44122-00 | BUSHING, SHIFT ROD LEVER DOUILLE, LEVIER D'EMBAYAGE | 1 | 1 | 1 | |
| 7 | 97595-05514 | BOLT, WITH WASHER VIS HEXAGONAL AVC RONDELLE | 1 | 1 | 1 | |
| 8 | 62Y-42715-01 | BUSHING COUSSINET | 1 | 1 | 1 | |
| 9 | 62Y-44118-00-94 | BRACKET SUPPORT | 1 | 1 | 1 | |
| 10 | 90101-06054 | BOLT BOULON | 2 | 2 | 2 | |
| 11 | 90501-12082 | SPRING, COMPRESSION RESSORT, COMPRESSION | 1 | 1 | 1 | |
| 12 | 93501-04M02 | BALL BILLE | 1 | 1 | 1 | |
| 13 | 90386-90M90 | BUSH DOUILLE | 2 | 2 | 2 | |
| 14 | 90201-10M20 | WASHER, PLATE RONDELLE, PLATE | 1 | 1 | 1 | |
| 15 | 91490-20015 | PIN, COTTER GOUILLE | 1 | 1 | 1 | |
| 16 | 90468-18008 | CLIP JONC | 2 | 2 | 2 | |
| 17 | 688-44122-00 | BUSHING, SHIFT ROD LEVER DOUILLE, LEVIER D'EMBAYAGE | 1 | 1 | 1 | |
| 18 | 90202-07M07 | WASHER, PLATE RONDELLE, PLATE | 1 | 1 | 1 | |
| 19 | 90468-18008 | CLIP JONC | 1 | 1 | 1 | |
| 20 | 69W-48344-00 | CABLE END, REMOTE CONTROL CHAPE CABLE | 1 | 1 | 1 | |
| 21 | 6J8-41237-00 | JOINT, LINK RACCORD | 1 | 1 | 1 | |
| 22 | 682-41237-00 | JOINT, LINK RACCORD | 1 | 1 | 1 | |
| 23 | 95380-05700 | NUT ECROU | 1 | 1 | 1 | |
| 24 | 62Y-42154-A0 | LEVER, THROTTLE CONTROL LEVIER DE COMMANDE D'AVANCE | 1 | 1 | 1 | |
| 25 | 6C5-42171-00 | BUSHING COUSSINET | 1 | 1 | 1 | |
| 26 | 91490-16010 | PIN, COTTER GOUILLE | 1 | 1 | 1 | |

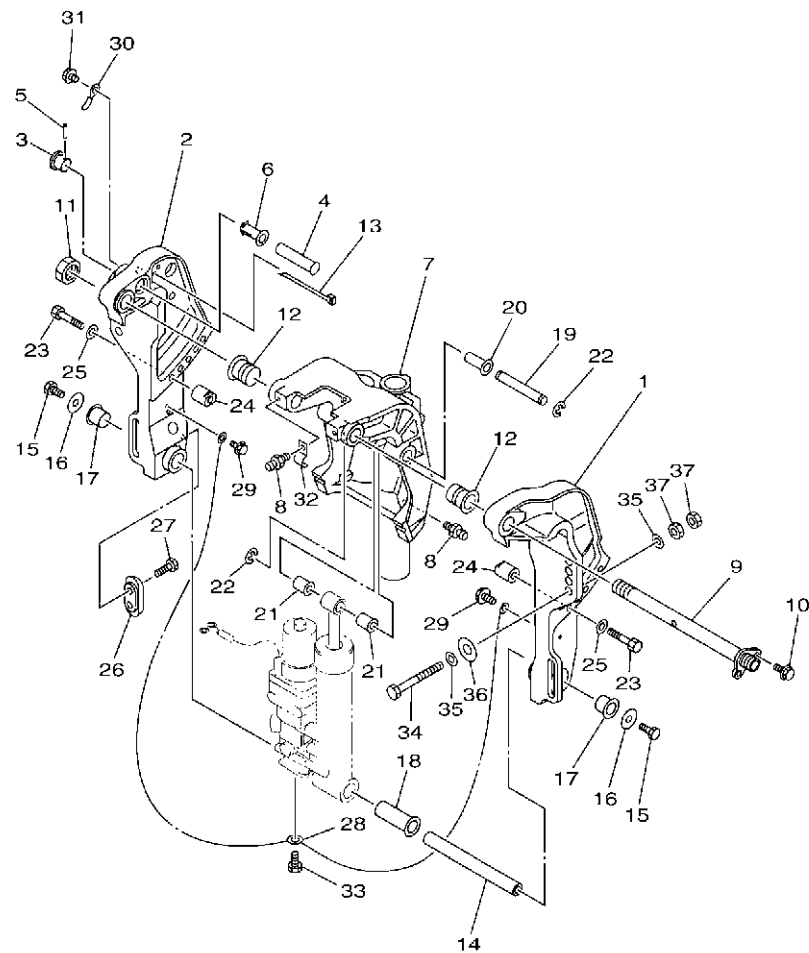
FIG. 25 CONTROL

COMMANDE



6BGA010-R250

| REF. NO. | PART NO. N° PIECES | DESCRIPTION DESCRIPTION | ET | ED | EHD | REMARKS REMARQUES |
|----------|--------------------|---|----|----|-----|-------------------|
| 27 | 62Y-44135-00 | SPRING RESSORT | 1 | 1 | 1 | |
| 28 | 90387-06M45 | COLLAR COLLERETTE | 1 | 1 | 1 | |
| 29 | 90119-06126 | BOLT, WITH WASHER BOULON, AVEC RONDELLE | 1 | 1 | 1 | |
| 30 | 6BG-42335-A0 | LEVER, ACCEL. CONTROL LEVIER, ACCELERATION | 1 | 1 | 1 | |
| 31 | 95D95-06045 | BOLT, FLANGE DEEP RECESS BOULON FIXATION | 1 | 1 | 1 | |
| 32 | 90206-10M04 | WASHER, WAVE RONDELLE, ONDULEE | 1 | 1 | 1 | |
| 33 | 90387-06279 | COLLAR COLLERETTE | 1 | 1 | 1 | |
| 34 | 69W-48344-00 | CABLE END, REMOTE CONTROL CHAPE CABLE | 1 | 1 | 1 | |
| 35 | 90468-18008 | CLIP JONC | 1 | 1 | 1 | |

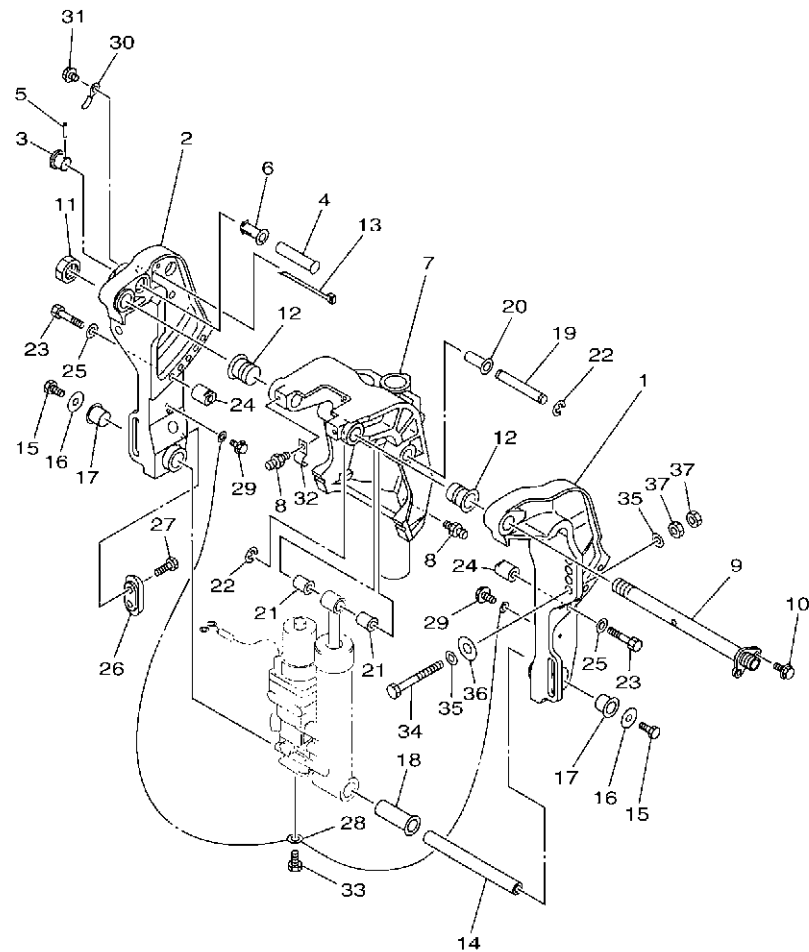


FWD
6BGC100-S260

FIG. 26 BRACKET 1

SUPPORT 1

| REF. NO. | PART NO. N° PIECES | DESCRIPTION DESCRIPTION | ET | ED | EHD | REMARKS REMARQUES |
|----------|--------------------|---|----|----|-----|----------------------------------|
| 1 | 6K9-43111-10-8D | BRACKET, CLAMP 1 PRESSE 1 | 1 | | | |
| 2 | 6BG-43112-10-8D | BRACKET, CLAMP 2 PRESSE 2 | 1 | | | |
| 3 | 65W-43192-00 | KNOB, STOPPER BOUTON, BUTEE DE RELEVAGE | 1 | | | |
| 4 | 65W-43191-00 | SHAFT, STOPPER AXE, BUTEE | 1 | | | |
| 5 | 91690-30018 | PIN, SPRING AGRAFFE | 1 | | | |
| 6 | 90386-14MA1 | BUSH DOUILLE | 1 | | | |
| 7 | 6BG-43311-00-8D | BRACKET, SWIVEL 1 SUPPORT, PIVOT 1 | 1 | | | S(16.3") |
| | 6BG-43311-10-8D | BRACKET, SWIVEL 1 SUPPORT, PIVOT 1 | 1 | | | S(16.3") L(21.1") L(21.1") |
| 8 | 93700-06M03 | NIPPLE, GREASE PION | 3 | | | |
| 9 | 6K9-43131-01 | BOLT, CLAMP BRACKET BOULON, PRESSE | 1 | | | |
| 10 | 97E95-08520 | BOLT, HEXAGON W/W DEEP RECESS VIS HEXAGONAL AVC RONDELLE | 1 | | | |
| 11 | 90185-22043 | NUT, SELF-LOCKING ECROU, AUTO-BLOQUANT | 1 | | | |
| 12 | 90386-22MA4 | BUSH DOUILLE | 2 | | | |
| 13 | 90465-13M11 | CLAMP BRIDE | 2 | | | |
| 14 | 90249-18M35 | PIN GOUPILLE | 1 | | | |
| 15 | 97080-08016 | BOLT BOULON | 2 | | | |
| 16 | 90201-08M00 | WASHER, PLATE RONDELLE, PLATE | 2 | | | |
| 17 | 90386-18M44 | BUSH DOUILLE | 2 | | | |
| 18 | 90386-18MA0 | BUSH DOUILLE | 1 | | | |
| 19 | 90249-12M38 | PIN GOUPILLE | 1 | | | |
| 20 | 90381-12M10 | BUSH, SOLID DOUILLE, SOLIDE | 1 | | | |
| 21 | 90381-12M11 | BUSH, SOLID DOUILLE, SOLIDE | 2 | | | |
| 22 | 99080-10600 | CIRCLIP CIRCLIP | 2 | | | |
| 23 | 97D95-10050 | BOLT, HEXAGON DEEP RECESS VIS HEXAGONAL | 2 | | | |
| 24 | 6BG-43654-A0 | NUT 1 ECROU 1 | 2 | | | |
| 25 | 92995-10600 | WASHER RONDELLE | 2 | | | |
| 26 | 65W-45251-00 | ANODE ANODE | 1 | | | |



6BGC100-S260

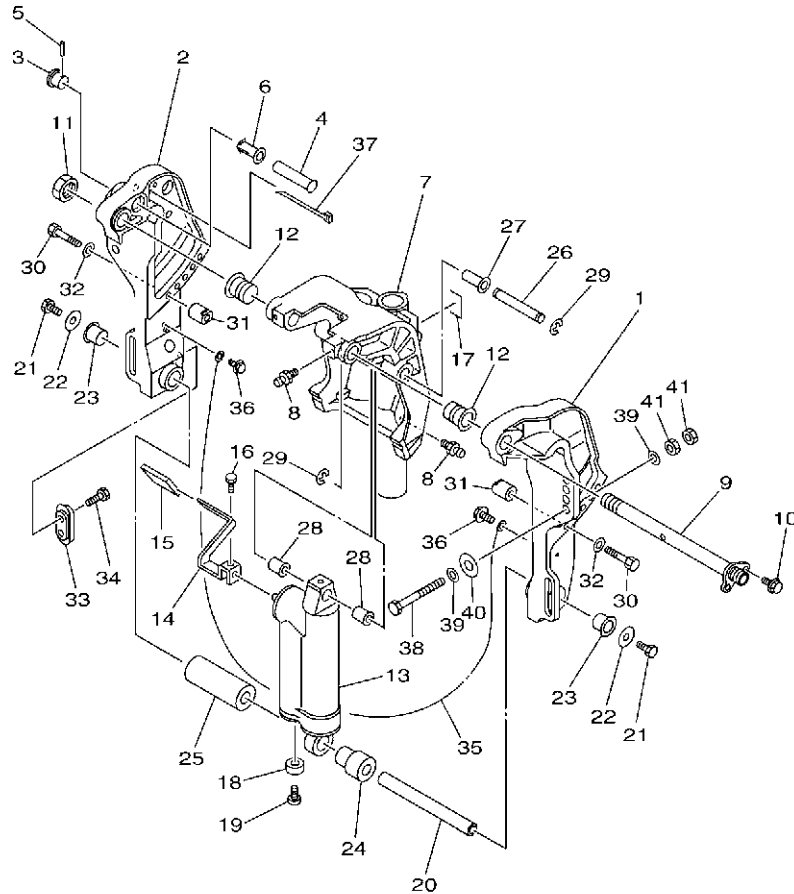
FIG. 26 BRACKET 1

SUPPORT 1

| REF. NO. | PART NO. N° PIECES | DESCRIPTION DESCRIPTION | ET | ED | EHD | REMARKS REMARQUES |
|----------|--------------------|---|----|----|-----|-------------------|
| 27 | 90101-06020 | BOLT BOULON | 2 | | | |
| 28 | 6BG-82127-00 | WIRE, LEAD 2 FIL 2 | 1 | | | |
| 29 | 97E95-06514 | BOLT, HEXAGON W/W DEEP RECESS VIS HEXAGONAL AVC RONDELLE | 2 | | | |
| 30 | 90465-10M77 | CLAMP BRIDE | 1 | | | |
| 31 | 97E95-06514 | BOLT, HEXAGON W/W DEEP RECESS VIS HEXAGONAL AVC RONDELLE | 1 | | | |
| 32 | 90465-08M63 | CLAMP BRIDE | 1 | | | |
| 33 | 97085-06010 | BOLT BOULON | 1 | | | |
| 34 | 90101-12M65 | BOLT BOULON | 4 | | | |
| 35 | 90201-12062 | WASHER, PLATE RONDELLE, PLATE | 8 | | | |
| 36 | 90201-12426 | WASHER, PLATE RONDELLE, PLATE | 4 | | | |
| 37 | 95380-12600 | NUT ECROU | 8 | | | |
| | | | | | | |
| | | | | | | |
| | | | | | | |
| | | | | | | |
| | | | | | | |
| | | | | | | |
| | | | | | | |

FIG. 27 BRACKET 2

SUPPORT 2

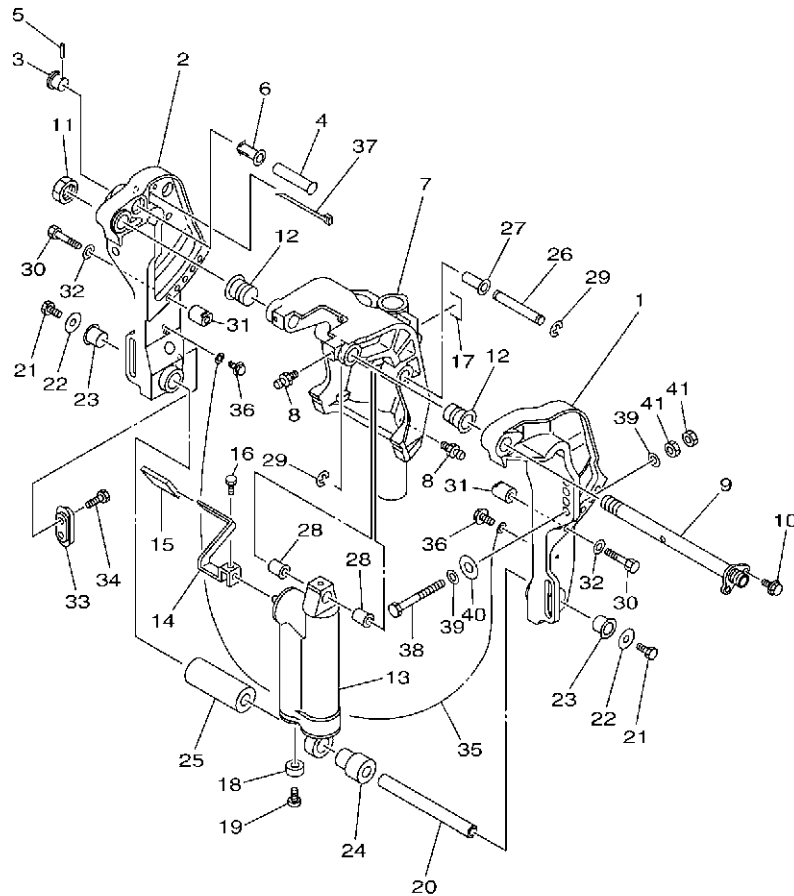


6BGB100-S270

| REF. NO. | PART NO. N° PIECES | DESCRIPTION DESCRIPTION | ET | ED | EHD | REMARKS REMARQUES |
|----------|--------------------|---|----|----|-----|----------------------|
| 1 | 6K9-43111-10-8D | BRACKET, CLAMP 1 PRESSE 1 | | 1 | 1 | |
| 2 | 6BG-43112-10-8D | BRACKET, CLAMP 2 PRESSE 2 | | 1 | 1 | |
| 3 | 65W-43192-00 | KNOB, STOPPER BOUTON, BUTEE DE RELEVAGE | | 1 | 1 | |
| 4 | 65W-43191-00 | SHAFT, STOPPER AXE, BUTEE | | 1 | 1 | |
| 5 | 91690-30018 | PIN, SPRING AGRAFFE | | 1 | 1 | |
| 6 | 90386-14MA1 | BUSH DOUILLE | | 1 | 1 | |
| 7 | 6BG-43311-00-8D | BRACKET, SWIVEL 1 SUPPORT, PIVOT 1 | | | 1 | S(16.3") S(16.3") |
| | 6BG-43311-10-8D | BRACKET, SWIVEL 1 SUPPORT, PIVOT 1 | | 1 | 1 | L(21.1") L(21.1") |
| 8 | 93700-06M03 | NIPPLE, GREASE PION | | 3 | | |
| | 93700-06M03 | NIPPLE, GREASE PION | | | 1 | |
| 9 | 6K9-43131-01 | BOLT, CLAMP BRACKET BOULON, PRESSE | | 1 | 1 | |
| 10 | 97E95-08520 | BOLT, HEXAGON W/W DEEP RECESS VIS HEXAGONAL AVC RONDELLE | | 1 | 1 | |
| 11 | 90185-22043 | NUT, SELF-LOCKING ECROU, AUTO-BLOQUANT | | 1 | 1 | |
| 12 | 90386-22MA4 | BUSH DOUILLE | | 2 | 2 | |
| 13 | 67C-43107-02-8D | SHOCK ABSORBER SUB-ASSY AMORTISSEUR (ENS.) | | | 1 | S(16.3") S(16.3") |
| | 67C-43107-12-8D | SHOCK ABSORBER SUB-ASSY AMORTISSEUR (ENS.) | | 1 | 1 | L(21.1") L(21.1") |
| 14 | 67C-43631-00 | LEVER, TILT LEVIER, INCLINAISON | | 1 | 1 | |
| 15 | 682-43318-01 | COVER CAPUCHON | | 1 | 1 | |
| 16 | 97D95-06010 | BOLT, HEXAGON DEEP RECESS VIS HEXAGONAL | | 1 | 1 | |
| 17 | 63D-43691-00 | INDICATOR, TILT ETIQUETTE, RELEVAGE | | 1 | 1 | |
| 18 | 663-45251-00 | ANODE ANODE | | 1 | 1 | |
| 19 | 90152-06M01 | SCREW, COUNTERSUNK VIS, TETE NOYEE | | 1 | 1 | |
| 20 | 90249-18M35 | PIN GOUPILLE | | 1 | 1 | |
| 21 | 97080-08016 | BOLT BOULON | | 2 | 2 | |
| 22 | 90201-08M00 | WASHER, PLATE RONDELLE, PLATE | | 2 | 2 | |
| 23 | 90386-18M44 | BUSH DOUILLE | | 2 | 2 | |
| 24 | 90386-18MA5 | BUSH DOUILLE | | 1 | 1 | |

FIG. 27 BRACKET 2

SUPPORT 2

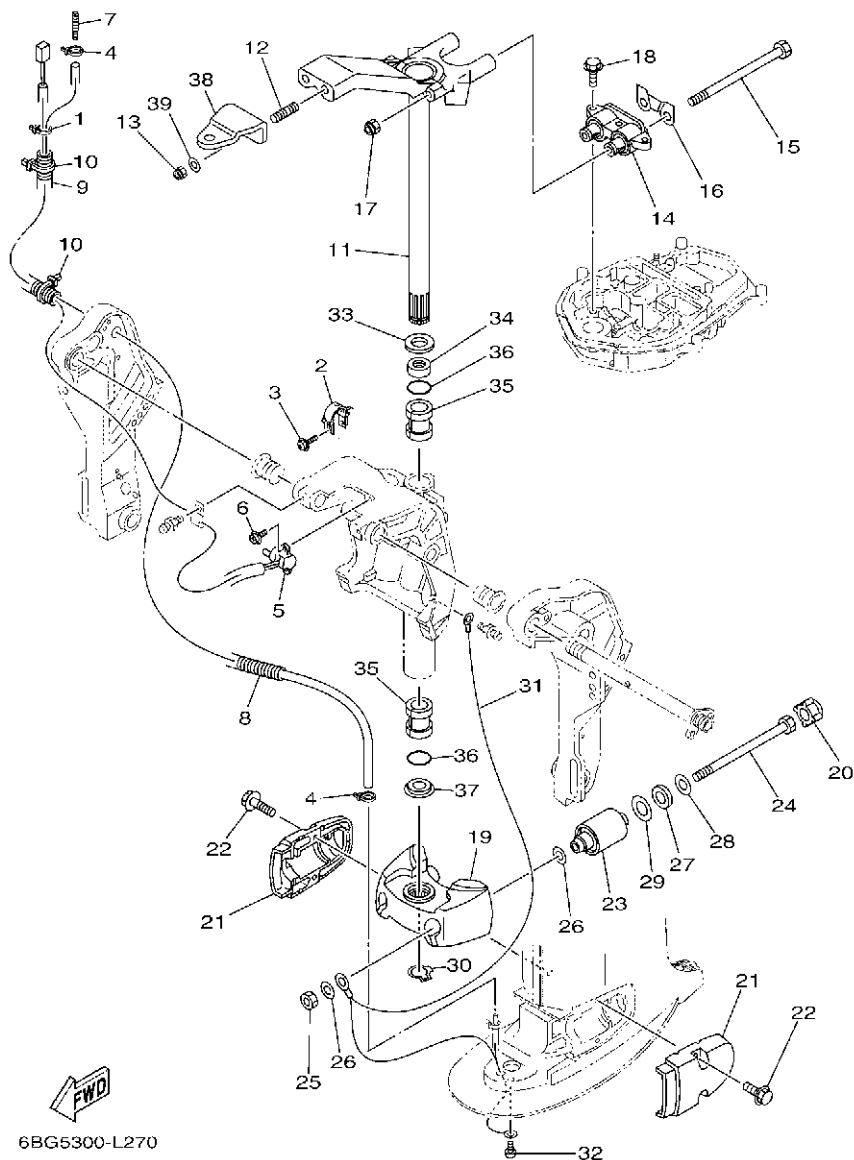


| REF. NO. | PART NO. N° PIECES | DESCRIPTION DESCRIPTION | ET | ED | EHD | REMARKS REMARQUES |
|----------|--------------------|---|----|----|-----|-------------------|
| 25 | 90387-18M03 | COLLAR COLLERETTE | | 1 | 1 | |
| 26 | 90249-12M38 | PIN GOUILLE | | 1 | 1 | |
| 27 | 90381-12M10 | BUSH, SOLID DOUILLE, SOLIDE | | 1 | 1 | |
| 28 | 90381-12M11 | BUSH, SOLID DOUILLE, SOLIDE | | 2 | 2 | |
| 29 | 99080-10600 | CIRCLIP CIRCLIP | | 2 | 2 | |
| 30 | 97D95-10050 | BOLT, HEXAGON DEEP RECESS VIS HEXAGONAL | | 2 | 2 | |
| 31 | 6BG-43654-A0 | NUT 1 ECROU 1 | | 2 | 2 | |
| 32 | 92995-10600 | WASHER RONDELLE | | 2 | 2 | |
| 33 | 65W-45251-00 | ANODE ANODE | | 1 | 1 | |
| 34 | 90101-06020 | BOLT BOULON | | 2 | 2 | |
| 35 | 67C-82127-20 | WIRE, LEAD 2 FIL 2 | | 1 | 1 | |
| 36 | 97E95-06514 | BOLT, HEXAGON W/W DEEP RECESS VIS HEXAGONAL AVC RONDELLE | | 2 | 2 | |
| 37 | 90465-13M11 | CLAMP BRIDE | | 1 | 1 | |
| 38 | 90101-12M65 | BOLT BOULON | | 4 | 4 | |
| 39 | 90201-12062 | WASHER, PLATE RONDELLE, PLATE | | 8 | 8 | |
| 40 | 90201-12426 | WASHER, PLATE RONDELLE, PLATE | | 4 | 4 | |
| 41 | 95380-12600 | NUT ECROU | | 8 | 8 | |


6BGB100-S270

FIG. 28 BRACKET 3

SUPPORT 3

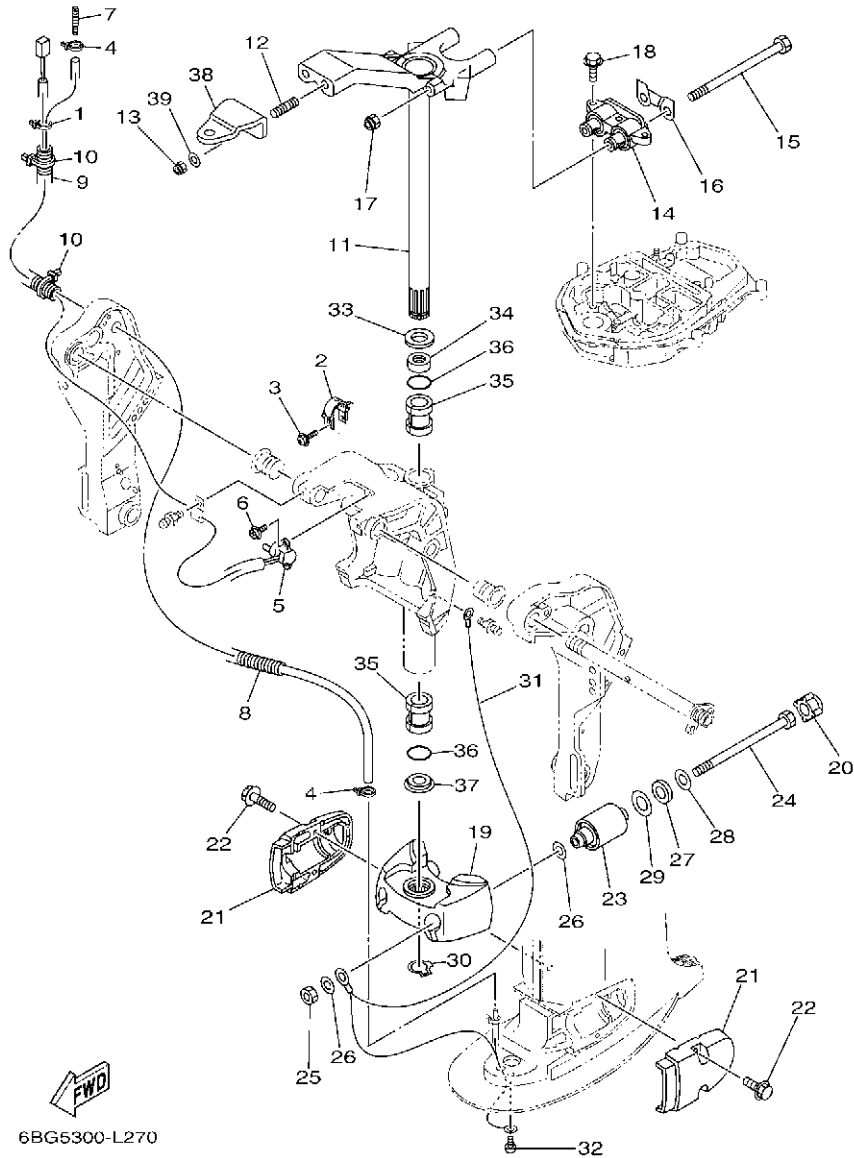


6BG5300-L270

| REF. NO. | PART NO. N° PIECES | DESCRIPTION DESCRIPTION | ET | ED | EHD | REMARKS REMARQUES |
|----------|--------------------|--|----|----|-----|----------------------|
| 1 | 90465-11M10 | CLAMP BRIDE | 1 | | | |
| 2 | 6K9-43139-10 | CAM, TRIM SENDER VILEBREQUIN TRUM | 1 | | | |
| 3 | 90159-05059 | SCREW, WITH WASHER VIS, AVEC RONDELLE | 1 | | | |
| 4 | 90465-11M10 | CLAMP BRIDE | 2 | 2 | 2 | |
| 5 | 67H-83672-01 | TRIM SENDER INCLINER RACCORD | 1 | | | |
| 6 | 97985-06216 | SCREW, WITH WASHER VIS, AVEC RONDELLE | 2 | | | |
| 7 | 6E5-83558-00 | END, NIPPLE RACCORD DE NIPPLE | 1 | 1 | 1 | |
| 8 | 6BG-44385-00 | HOSE, WATER 1 TUBE D'EAU 1 | 1 | | 1 | S(16.3") S(16.3") |
| | 6BG-44385-10 | HOSE, WATER 1 TUBE D'EAU 1 | 1 | 1 | 1 | L(21.1") L(21.1") |
| 9 | 90447-19014 | TUBE (L300) DURITE (L300) | 1 | | | |
| 10 | 90465-13M18 | CLAMP BRIDE | 2 | | | |
| 11 | 6BG-42510-00-8D | STEERING BRACKET ASSY DIRECTION SUPPORT (ENS.) | 1 | | 1 | S(16.3") S(16.3") |
| | 6BG-42510-10-8D | STEERING BRACKET ASSY DIRECTION SUPPORT (ENS.) | 1 | 1 | 1 | L(21.1") L(21.1") |
| 12 | 90116-10063 | BOLT, STUD GOUJON | 2 | 2 | 2 | |
| 13 | 90185-10027 | NUT, SELF-LOCKING ECROU,AUTO-BLOQUANT | 2 | 2 | 2 | |
| 14 | 67C-44514-00 | MOUNT DAMPER, UPPER SIDE SILENT-BLOC, SUPERIEUR LATERAL | 1 | | 1 | S(16.3") S(16.3") |
| | 67C-44514-10 | MOUNT DAMPER, UPPER SIDE SILENT-BLOC, SUPERIEUR LATERAL | 1 | 1 | 1 | L(21.1") L(21.1") |
| 15 | 90109-08229 | BOLT BOULON | 2 | 2 | 2 | |
| 16 | 66T-44526-30 | PLATE PLAQUE | 1 | 1 | 1 | |
| 17 | 90185-08018 | NUT, SELF-LOCKING ECROU,AUTO-BLOQUANT | 2 | 2 | 2 | |
| 18 | 97E75-08530 | BOLT, HEXAGON W/W DEEP RECESS VIS HEXAGONAL AVC RONDELLE | 3 | 3 | 3 | |
| 19 | 67C-44551-01-8D | HOUSING, LOWER MOUNT RUBBER 1 BOITIER, SILENT-BLOC INFERIEUR | 1 | | 1 | S(16.3") S(16.3") |
| | 6C5-44551-00-8D | HOUSING, LOWER MOUNT RUBBER 1 BOITIER, SILENT-BLOC INFERIEUR | 1 | 1 | 1 | L(21.1") L(21.1") |
| 20 | 69W-44575-00 | DAMPER, LOWER MOUNT RUBBER SILENT-BLOC, INFERIEUR | 2 | 2 | 2 | |
| 21 | 6C5-44552-00-8D | HOUSING, LOWER MOUNT RUBBER 2 BOITIER, SILENT-BLOC INFERIEUR | 2 | 2 | 2 | |
| 22 | 90119-08094 | BOLT, WITH WASHER BOULON, AVEC RONDELLE | 4 | 4 | 4 | |
| 23 | 67C-44555-21 | MOUNT DAMPER, LOWER SIDE SILENT-BLOC, INFERIEUR LATERAL | 2 | | 2 | S(16.3") S(16.3") |

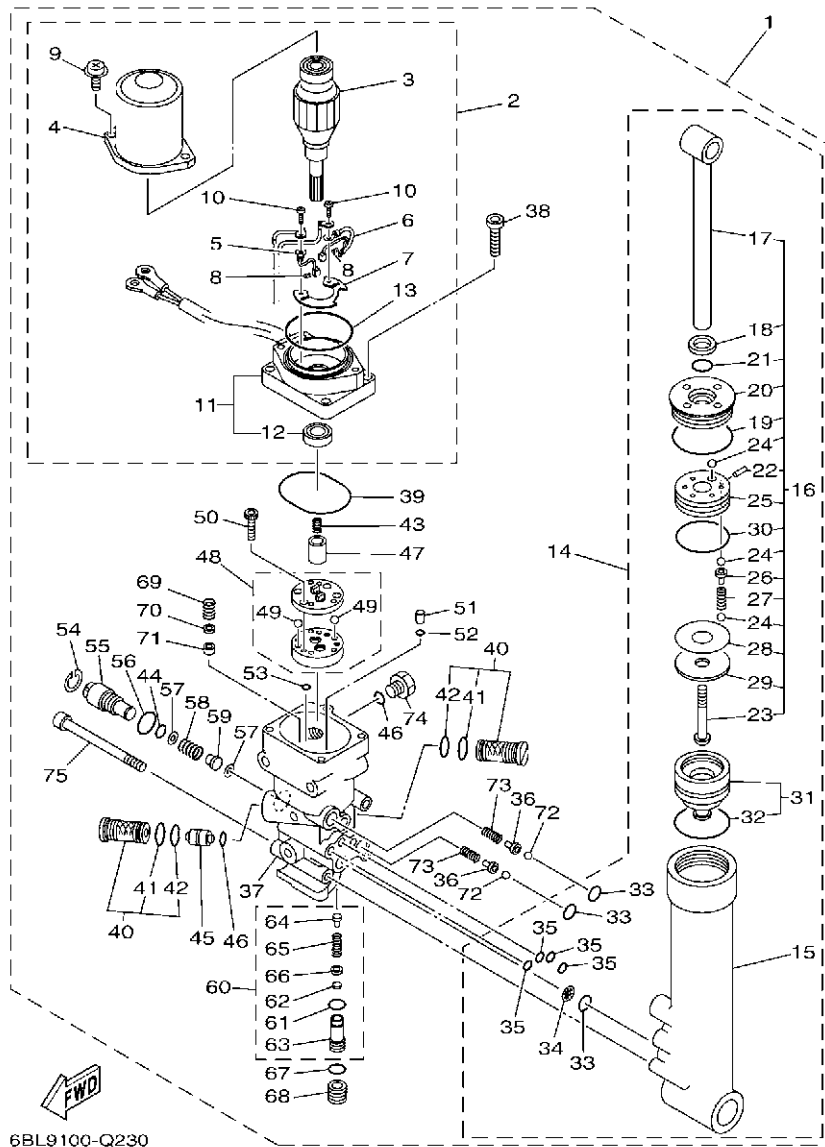
FIG. 28 BRACKET 3

SUPPORT 3



6BG5300-L270

| REF. NO. | PART NO. N° PIECES | DESCRIPTION DESCRIPTION | EL | ED | EHD | REMARKS REMARQUES |
|----------|--------------------|--|----|----|-----|----------------------|
| 23 | 67C-44555-11 | MOUNT DAMPER, LOWER SIDE SILENT-BLOC, INFÉRIEUR LATERAL | 2 | 2 | 2 | L(21.1") L(21.1") |
| 24 | 90109-12MA3 | BOLT BOULON | 2 | 2 | 2 | |
| 25 | 95380-12700 | NUT ECROU | 2 | 2 | 2 | |
| 26 | 90201-12M16 | WASHER, PLATE RONDELLE, PLATE | 4 | 4 | 4 | |
| 27 | 90202-21100 | WASHER, PLATE RONDELLE, PLATE | 2 | 2 | 2 | |
| 28 | 90201-13M19 | WASHER, PLATE RONDELLE, PLATE | 2 | 2 | 2 | |
| 29 | 90201-22M05 | WASHER, PLATE RONDELLE, PLATE | 2 | 2 | 2 | |
| 30 | 93410-28M06 | CIRCLIP CIRCLIP | 1 | 1 | 1 | |
| 31 | 67C-82127-00 | WIRE, LEAD 2 FIL 2 | 1 | | 1 | S(16.3") S(16.3") |
| | 67C-82127-10 | WIRE, LEAD 2 FIL 2 | 1 | 1 | 1 | L(21.1") L(21.1") |
| 32 | 97885-06008 | SCREW, PAN HEAD VIS, A ENCOCHE | 1 | 1 | 1 | |
| 33 | 90201-30M00 | WASHER, PLATE RONDELLE, PLATE | 1 | 1 | 1 | |
| 34 | 90386-30M78 | BUSH DOUILLE | 1 | 1 | 1 | |
| 35 | 90386-30M77 | BUSH DOUILLE | 2 | 2 | 2 | |
| 36 | 93210-29M94 | O-RING JOINT TORIQUE | 2 | 2 | 2 | |
| 37 | 90386-30M60 | BUSH DOUILLE | 1 | 1 | 1 | |
| 38 | 65W-48511-01 | HOOK, STEERING ATTACHE, DIRECTION | 1 | 1 | | |
| 39 | 90201-10049 | WASHER, PLATE RONDELLE, PLATE | 2 | 2 | | |

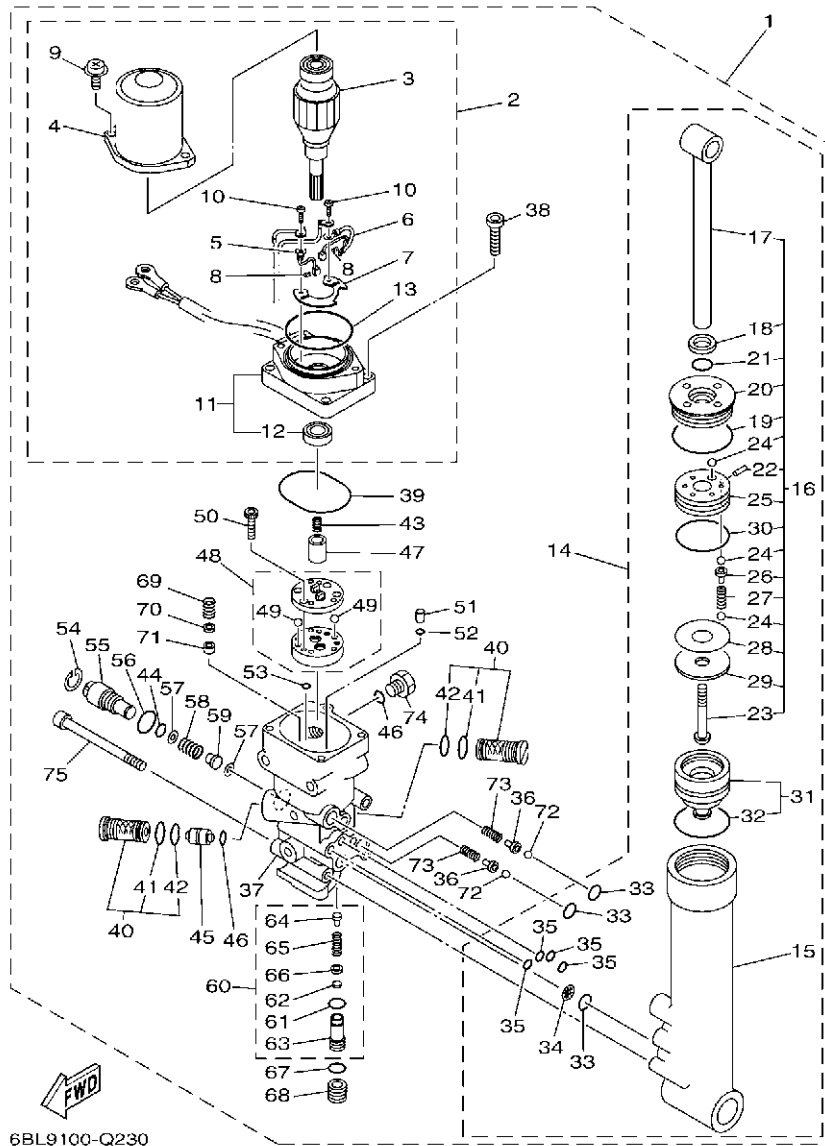


6BL9100-Q230

FIG. 29 POWER TRIM & TILT ASSY

PUISSANCE PARER ET INCLINER

| REF. NO. | PART NO. N° PIECES | DESCRIPTION DESCRIPTION | ET | ED | EHD | REMARKS REMARQUES |
|----------|--------------------|---|----|----|-----|-------------------|
| 1 | 67C-43800-12-8D | POWER TRIM & TILT ASSY PUISSANCE PARER ET INCLINER (E) | 1 | | | |
| 2 | 67C-43880-10 | .MOTOR ASSY .MOTEUR (ENS.) | 1 | | | |
| 3 | 67C-43805-11 | .ARMATURE ASSY .INDUIT (ENS.) | 1 | | | |
| 4 | 67C-43804-10 | .STATOR ASSY .STATOR (ENS.) | 1 | | | |
| 5 | 67C-43892-10 | .BRUSH 2 .BALAI 2 | 1 | | | |
| 6 | 67C-82181-10 | .CIRCUIT BREAKER COMP. .RUPTEUR COMPLET | 1 | | | |
| 7 | 67C-4380F-10 | .PLATE, BRUSH HOLDER .PLAQUE | 1 | | | |
| 8 | 67C-4386K-10 | .SPRING, BRUSH .RESSORT, BALAI | 2 | | | |
| 9 | 67C-43879-10 | .SCREW, WITH WASHER .VIS, AVEC RONDELLE | 2 | | | |
| 10 | 97602-04316 | .SCREW, PAN HEAD WITH WASHER .VIS, AVEC RONDELLE | 2 | | | |
| 11 | 67C-43881-10 | .FRAME, END .BATI | 1 | | | |
| 12 | 67C-43882-10 | ...OIL SEAL ...JOINT SPI | 1 | | | |
| 13 | 67C-43862-10 | ...O-RING ...JOINT TORIQUE | 1 | | | |
| 14 | 67C-43840-01 | .POWER TILT ASSY .PUISSANCE INCLINER (ENS.) | 1 | | | |
| 15 | 65W-4380K-00 | .CYLINDER, TILT SUB ASSY .CYLINDRE | 1 | | | |
| 16 | 67C-43810-01 | .TILT PISTON SUB ASSY ...INCLINER PISTON AUXILIAIRE(ENS) | 1 | | | |
| 17 | 65W-43801-01 | ...ROD ...TIGE | 1 | | | |
| 18 | 65W-43812-00 | ...SEAL, DUST ...JOINT | 1 | | | |
| 19 | 65W-43865-00 | ...O-RING ...JOINT TORIQUE | 1 | | | |
| 20 | 65W-43811-01 | ...SCREW, CYLINDER END ...VIS, CYLINDRE RACCORD | 1 | | | |
| 21 | 67C-43867-00 | ...O-RING ...JOINT TORIQUE | 1 | | | |
| 22 | 91609-16012 | ...PIN, SPRING ...AXE DE RESSORT | 1 | | | |
| 23 | 92012-10040 | ...BOLT, BUTTON HEAD ...BOULON, TETE BOUTON | 1 | | | |
| 24 | 93505-32038 | ...BALL ...BILLE | 11 | | | |
| 25 | 65W-4385A-01 | ...PISTON, TILT ...PISTON | 1 | | | |
| 26 | 65W-4386A-00 | ...PIN, ABSORBER VALVE ...GOUPILLE, SOUPAPE | 5 | | | |
| 27 | 67C-43857-00 | ...SPRING, ABSORBER VALVE ...RESSORT | 5 | | | |



6BL9100-Q230

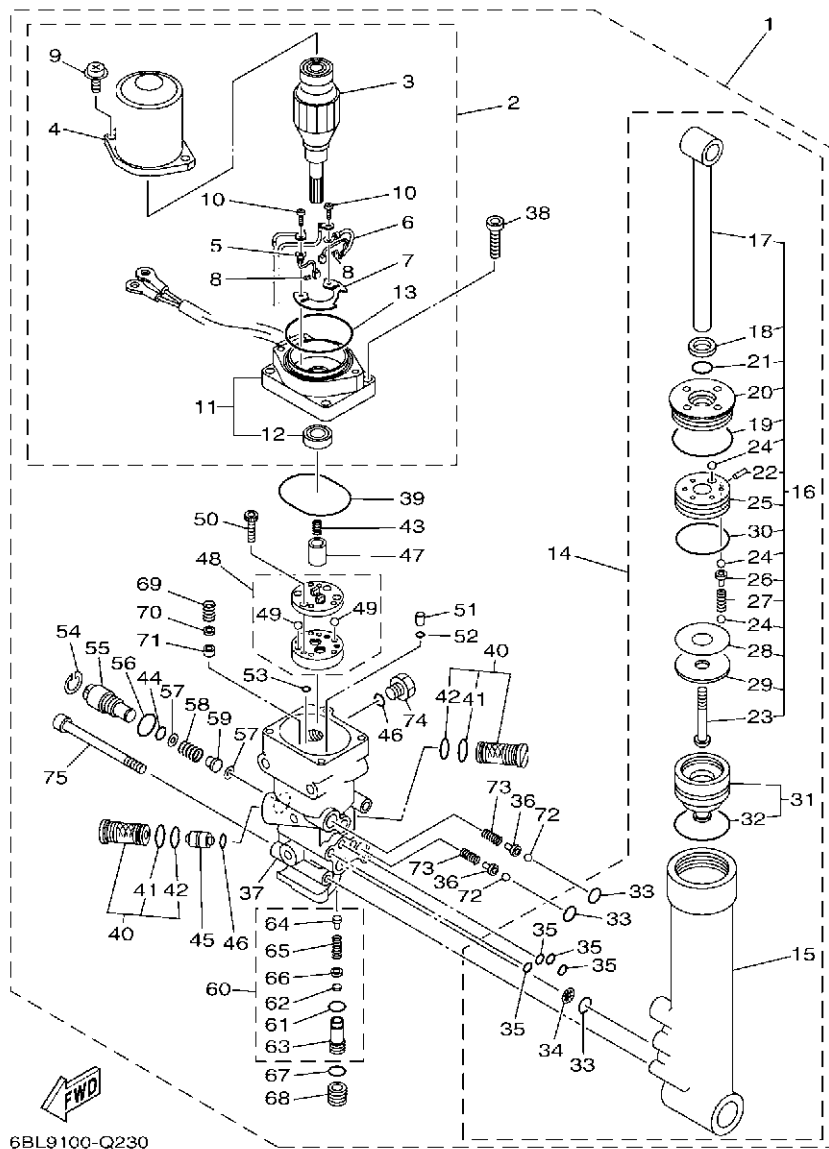
FIG. 29 POWER TRIM & TILT ASSY

PUISSANCE PARER ET INCLINER

| REF. NO. | PART NO. N° PIECES | DESCRIPTION DESCRIPTION | ET | ED | EHD | REMARKS REMARQUES |
|----------|--------------------|--|----|----|-----|-------------------|
| 28 | 15A-22442-00 | ...SHIM ...CALE | 1 | | | UN UN |
| 29 | 90201-10038 | ...WASHER, PLATE ...RONDELLE, PLATE | 1 | | | |
| 30 | 6H1-43862-00 | ...O-RING ...JOINT TORIQUE | 1 | | | |
| 31 | 65W-4381B-00 | ..FREE PISTON SUB ASSY ..PISTON AUXILIAIRE (ENS.) | 1 | | | |
| 32 | 6H1-43861-10 | ...O-RING ...JOINT TORIQUE | 1 | | | |
| 33 | 93210-11368 | ..O-RING ..JOINT TORIQUE | 3 | | | |
| 34 | 69J-4381C-00 | ..FILTER 3 ..FILTRE 3 | 1 | | | |
| 35 | 93210-064A5 | ..O-RING ..JOINT TORIQUE | 4 | | | |
| 36 | 65W-4386A-00 | ..PIN, ABSORBER VALVE ..GOUPILLE, SOUPAPE | 2 | | | |
| 37 | 67C-4380L-03 | ..HOUSING, TRIM & TILT SUB ASSY ..CARTER | 1 | | | |
| 38 | 91380-06020 | ..BOLT ..BOULON | 4 | | | |
| 39 | 93210-50768 | ..O-RING ..JOINT TORIQUE | 1 | | | |
| 40 | 67F-43802-00 | ..VALVE SUB ASSY ..CLAPET AUXILIAIRE (ENS.) | 2 | | | |
| 41 | 6H1-43866-01 | ..O-RING ..JOINT TORIQUE | 1 | | | |
| 42 | 93210-12N52 | ..O-RING ..JOINT TORIQUE | 1 | | | |
| 43 | 6T4-43853-00 | ..SPRING, MAIN VALVE ..RESSORT | 1 | | | |
| 44 | 93210-10M74 | ..O-RING ..JOINT TORIQUE | 1 | | | |
| 45 | 62X-43841-00 | ..PISTON, SHUTTLE ..PISTON | 1 | | | |
| 46 | 93210-09165 | ..O-RING ..JOINT TORIQUE | 2 | | | |
| 47 | 65W-43831-00 | ..CONNECTOR, SHAFT ..RACCORD | 1 | | | |
| 48 | 65W-43830-00 | ..GEAR PUMP ASSY ..POMPE A PIGNON (ENS.) | 1 | | | |
| 49 | 93505-32038 | ..BALL ..BILLE | 2 | | | |
| 50 | 91318-04025 | ..BOLT ..BOULON | 4 | | | |
| 51 | 65W-43817-00 | ..FILTER 2 ..FILTRE 2 | 2 | | | |
| 52 | 93210-04N50 | ..O-RING ..JOINT TORIQUE | 2 | | | |
| 53 | 93210-04N51 | ..O-RING ..JOINT TORIQUE | 2 | | | |
| 54 | 6H1-43875-00 | ..RING, SNAP ..RESSORT | 1 | | | |

FIG. 29 POWER TRIM & TILT ASSY

PUISSANCE PARE ET INCLINER



| REF. NO. | PART NO. N° PIECES | DESCRIPTION DESCRIPTION | ET | ED | EHD | REMARKS REMARQUES |
|----------|--------------------|--|----|----|-----|-------------------|
| 55 | 6H1-43845-00 | .SCREW, MANUAL RELEASE .VIS | 1 | | | |
| 56 | 6D8-43863-00 | .O-RING .JOINT TORIQUE | 1 | | | |
| 57 | 6H1-43847-00 | .SEAT, MANUAL VALVE .SIEGE | 2 | | | |
| 58 | 65W-43854-00 | .SPRING, MANUAL RELEASE .RESSORT | 1 | | | |
| 59 | 65W-4382A-00 | .ADAPTOR 1 .ADAPTEUR 1 | 1 | | | |
| 60 | CS2-43803-81 | .CASE VALVE COMP. .CARTER VALVE COMP. | 1 | | | |
| 61 | 93210-10M74 | .O-RING .JOINT TORIQUE | 1 | | | |
| 62 | 6H1-4384G-11 | .SEAL, RELIEF VALVE .JOINT | 1 | | | |
| 63 | 67C-43851-00 | .SEAT, RELIEF VALVE .SIEGE | 1 | | | |
| 64 | 67F-43843-00 | .SCREW, VALVE LOCK .VIS | 1 | | | |
| 65 | 6H1-43856-10 | .SPRING, DOWN RELIEF .RESSORT | 1 | | | |
| 66 | 6H1-43844-10 | .PIN, VALVE SUPPORT .GOUPILLE | 1 | | | |
| 67 | 93210-11073 | .O-RING .JOINT TORIQUE | 1 | | | |
| 68 | 65W-43843-00 | .SCREW, VALVE LOCK .VIS | 1 | | | |
| 69 | 6H1-43856-10 | .SPRING, DOWN RELIEF .RESSORT | 1 | | | |
| 70 | 6H1-43844-10 | .PIN, VALVE SUPPORT .GOUPILLE | 1 | | | |
| 71 | 6H1-4384F-10 | .SEAL, MAIN VALVE .JOINT | 1 | | | |
| 72 | 93501-08001 | .BALL .BILLE | 2 | | | |
| 73 | 65W-43853-00 | .SPRING, MAIN VALVE .RESSORT | 2 | | | |
| 74 | 6H1-43829-00 | .PLUG, RESERVOIR .BOUCHON | 1 | | | |
| 75 | 62X-43878-01 | .BOLT, SOCKET .BOULON | 3 | | | |

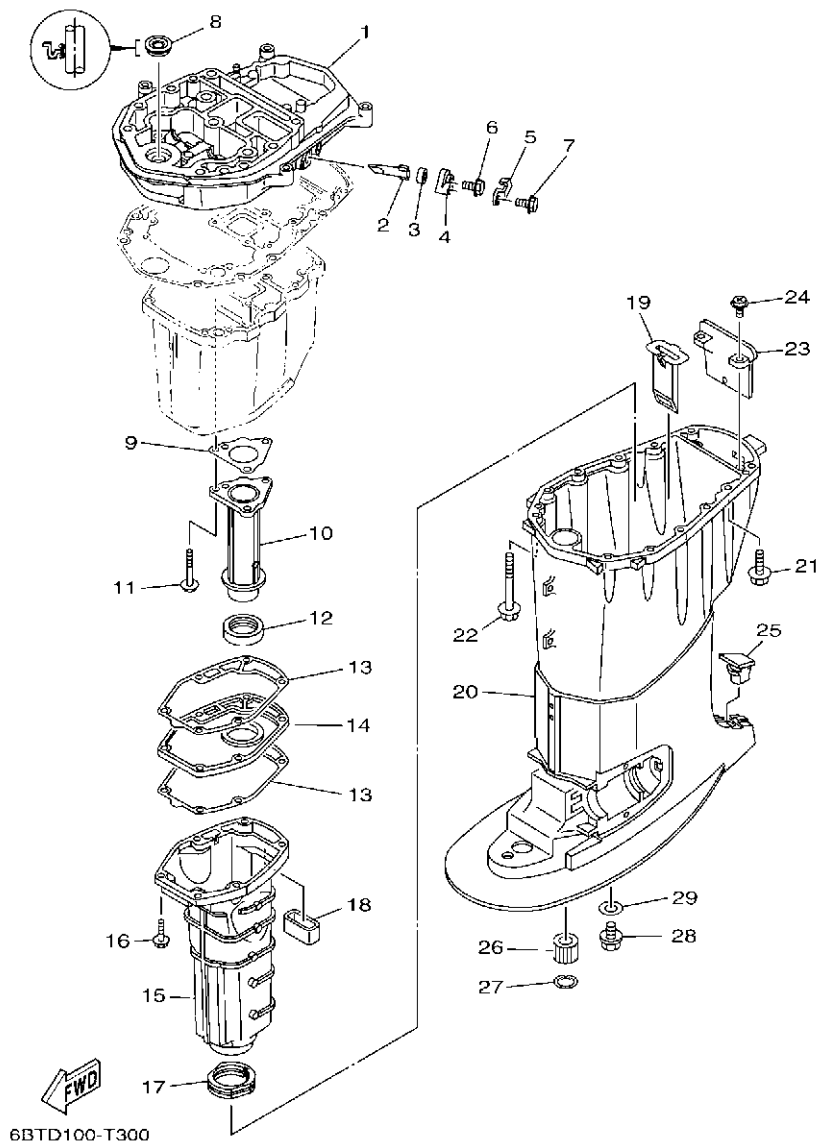


FIG. 30 UPPER CASING

FOURREAU

| REF. NO. | PART NO. N° PIECES | DESCRIPTION DESCRIPTION | E1 | E2 | EHD | REMARKS REMARQUES |
|----------|--------------------|--|----|----|-----|----------------------|
| 1 | 6BG-41137-10-CA | GUIDE, EXHAUST COLLECTEUR D'ECHAPPEMENT | 1 | 1 | 1 | |
| 2 | 62Y-11325-00 | ANODE ANODE | 1 | 1 | 1 | |
| 3 | 66M-11328-00 | GROMMET, ANODE PASSE-FIL | 1 | 1 | 1 | |
| 4 | 66M-11327-00-94 | COVER, ANODE COUVERCLE ANODE | 1 | 1 | 1 | |
| 5 | 66M-12535-00 | PLATE PLAQUE | 1 | 1 | 1 | |
| 6 | 97595-05512 | BOLT, WITH WASHER VIS HEXAGONAL AVC RONDELLE | 1 | 1 | 1 | |
| 7 | 97513-06520 | BOLT, WITH WASHER VIS HEXAGONAL AVC RONDELLE | 1 | 1 | 1 | |
| 8 | 93103-16011 | OIL SEAL JOINT SPY | 1 | 1 | 1 | |
| 9 | 64J-41133-10 | GASKET, EXHAUST MANIFOLD 1 JOINT, PIPE D'ECHAPPEMENT | 1 | 1 | 1 | |
| 10 | 6BG-41131-A0-CA | MANIFOLD, EXT. 1 PIPE D'ECHAPPEMENT | 1 | 1 | 1 | |
| 11 | 97E75-06550 | BOLT, HEXAGON W/W DEEP RECESS VIS HEXAGONAL AVC RONDELLE | 3 | 3 | 3 | |
| 12 | 64J-46132-10 | GASKET 1 JOINT 1 | 1 | 1 | 1 | |
| 13 | 6BG-41134-00 | GASKET, EXHAUST MANIFOLD JOINT, PIPE D'ECHAPPEMENT | 2 | 2 | 2 | |
| 14 | 6BG-45181-00-CA | PLATE PLAQUETTE | 1 | 1 | 1 | |
| 15 | 6BG-14711-00-CA | MUFFLER 1 POT D'ECHAPPEMENT 1 | 1 | | 1 | S(16.3") S(16.3") |
| | 69W-14711-10-CA | MUFFLER 1 POT D'ECHAPPEMENT 1 | 1 | 1 | 1 | L(21.1") L(21.1") |
| 16 | 97E75-06525 | BOLT, HEXAGON W/W DEEP RECESS VIS HEXAGONAL AVC RONDELLE | 6 | 6 | 6 | |
| 17 | 67C-45123-00 | GASKET, MUFFLER JOINT, POT DE DETENTE | 1 | 1 | 1 | |
| 18 | 62Y-45127-00 | SEAL JOINT | 1 | 1 | 1 | |
| 19 | 64J-77123-00 | GUIDE 1 GUIDE 1 | 1 | 1 | 1 | |
| 20 | 6BG-45111-00-8D | CASING, UPPER FOURREAU | 1 | | 1 | S(16.3") S(16.3") |
| | 6BG-45111-20-8D | CASING, UPPER FOURREAU | 1 | 1 | 1 | L(21.1") L(21.1") |
| 21 | 97E75-08530 | BOLT, HEXAGON W/W DEEP RECESS VIS HEXAGONAL AVC RONDELLE | 4 | 4 | 4 | |
| 22 | 90119-08132 | BOLT, WITH WASHER BOULON, AVEC RONDELLE | 8 | 8 | 8 | |
| 23 | 67C-45151-00 | COVER, UPPER CASING CAPUCHON, FOURREAU | 1 | 1 | 1 | |
| 24 | 97980-05216 | SCREW, WITH WASHER VIS, AVEC RONDELLE | 2 | 2 | 2 | |
| 25 | 63D-45155-00 | CAP CAPUCHON | 1 | | 1 | S(16.3") S(16.3") |

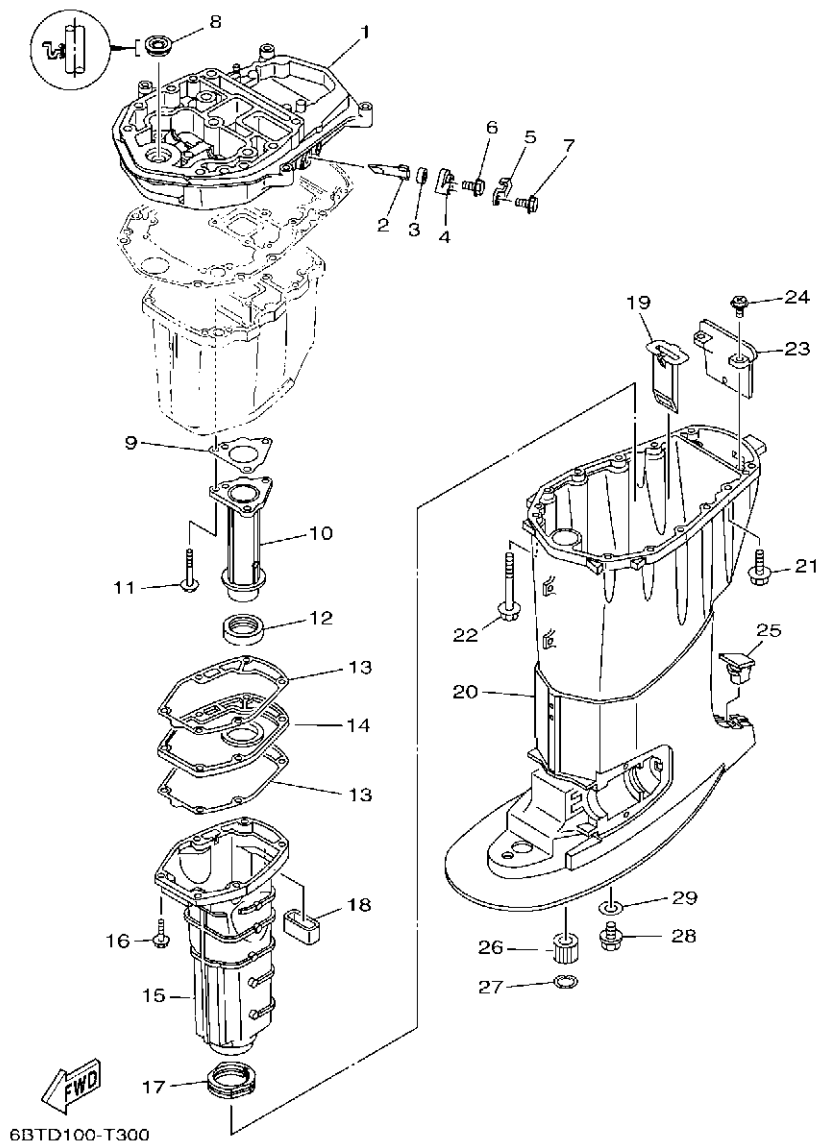


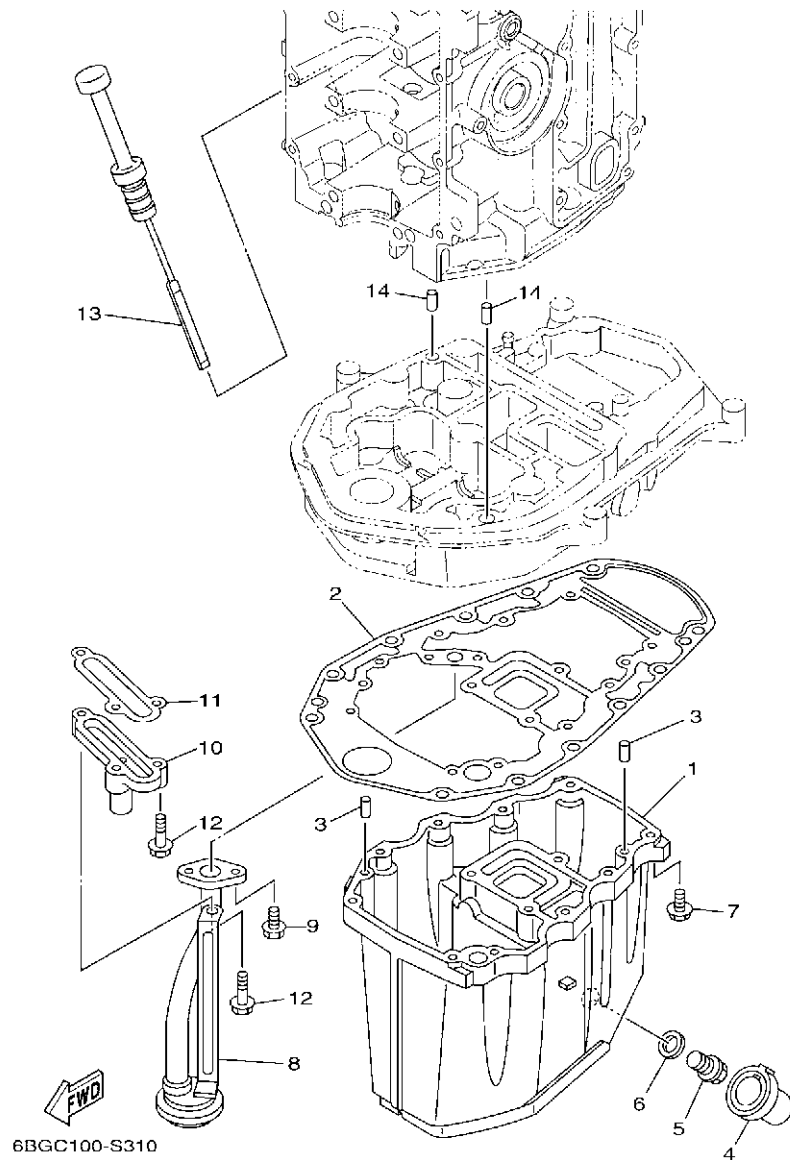
FIG. 30 UPPER CASING

FOURREAU

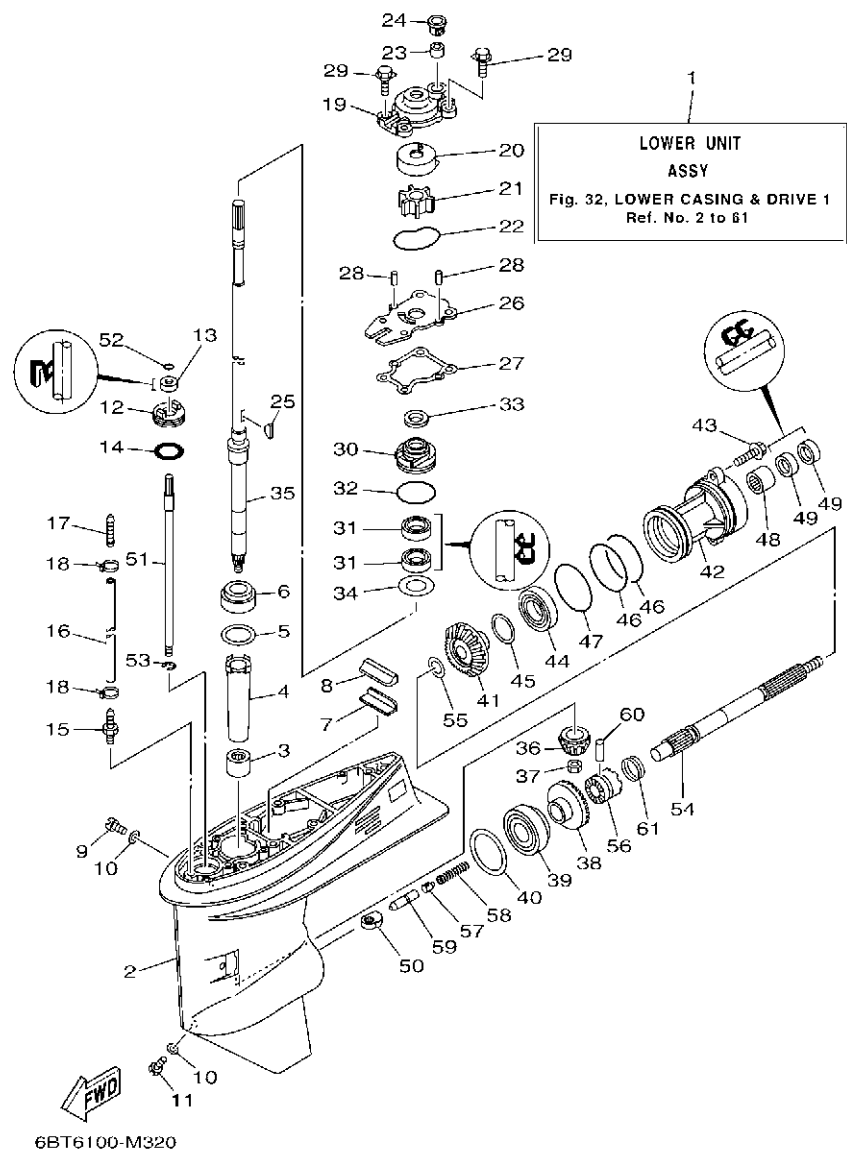
| REF. NO. | PART NO. N° PIECES | DESCRIPTION DESCRIPTION | ET | ED | EHD | REMARKS REMARQUES |
|----------|--------------------|---|----|----|-----|----------------------|
| 25 | 6C5-45155-00 | CAP CAPUCHON | 1 | 1 | 1 | L(21.1") L(21.1") |
| 26 | 6A0-45318-00 | BUSHING, DRIVE SHAFT DOUILLE, ARBRE MOTEUR | 1 | 1 | 1 | L(21.1") L(21.1") |
| 27 | 93420-36M01 | CIRCLIP CIRCLIP, TYPE S | 1 | 1 | 1 | L(21.1") L(21.1") |
| 28 | 90340-14M06 | PLUG, STRAIGHT SCREW PLOT, FILETE DROIT | 1 | 1 | 1 | L(21.1") L(21.1") |
| 29 | 90430-14M09 | GASKET JOINT | 1 | 1 | 1 | L(21.1") L(21.1") |
| <hr/> | | | | | | |
| <hr/> | | | | | | |
| <hr/> | | | | | | |
| <hr/> | | | | | | |
| <hr/> | | | | | | |
| <hr/> | | | | | | |
| <hr/> | | | | | | |
| <hr/> | | | | | | |
| <hr/> | | | | | | |
| <hr/> | | | | | | |

FIG. 31 OIL PAN

VENTILATEUR D'HUILE



| REF. NO. | PART NO. N° PIECES | DESCRIPTION DESCRIPTION | ET | ED | EHD | REMARKS REMARQUES |
|----------|--------------------|---|----|----|-----|----------------------|
| 1 | 6BG-15311-10-CA | OIL PAN VENTILATEUR D'HUILE | 1 | 1 | 1 | |
| 2 | 69W-15312-01 | GASKET, OIL PAN JOINT DE VENTILATEUR D'HUILE | 1 | 1 | 1 | |
| 3 | 93606-12019 | PIN, DOWEL GOUPILLE | 4 | 4 | 4 | |
| 4 | 67C-15316-10 | DAMPER 1 AMORTISSEUR 1 | 1 | 1 | 1 | S(16.3") S(16.3") |
| | 67C-15316-00 | DAMPER 1 AMORTISSEUR 1 | 1 | 1 | 1 | L(21.1") L(21.1") |
| 5 | 90340-14M06 | PLUG, STRAIGHT SCREW PLOT, FILETE DROIT | 1 | 1 | 1 | |
| 6 | 90430-14M09 | GASKET JOINT | 1 | 1 | 1 | |
| 7 | 97E75-06525 | BOLT, HEXAGON W/W DEEP RECESS VIS HEXAGONAL AVC RONDELLE | 10 | 10 | 10 | |
| 8 | 62Y-13411-00 | STRAINER, OIL FILTRE, HUILE | 1 | 1 | 1 | |
| 9 | 97513-06516 | BOLT, WITH WASHER VIS HEXAGONAL AVC RONDELLE | 2 | 2 | 2 | |
| 10 | 6BG-11576-00-94 | BODY, RELIEF CORPS DE SECURITE | 1 | 1 | 1 | |
| 11 | 62Y-13475-00 | GASKET JOINT | 1 | 1 | 1 | |
| 12 | 97513-06525 | BOLT, WITH WASHER VIS HEXAGONAL AVC RONDELLE | 3 | 3 | 3 | |
| 13 | 6BG-15362-00 | PLUG, OIL LEVEL PLOT, NIVEAU D'HUILE | 1 | 1 | 1 | |
| 14 | 93608-12M05 | PIN, DOWEL AXE | 2 | 2 | 2 | |



LOWER UNIT ASSY
Fig. 32. LOWER CASING & DRIVE 1
Ref. No. 2 to 61

FIG. 32 LOWER CASING & DRIVE 1

BOITIER D'HELICE TRANSMISSION1

| REF. NO. | PART NO. N° PIECES | DESCRIPTION DESCRIPTION | ET | ED | EHD | REMARKS REMARQUES |
|----------|--------------------|---|----|----|-----|----------------------|
| 1 | 6BG-45300-00-8D | LOWER UNIT ASSY UNITE INFERIEURE (ENS.) | 1 | | 1 | S(16.3") S(16.3") |
| | 6BG-45300-10-8D | LOWER UNIT ASSY UNITE INFERIEURE (ENS.) | 1 | 1 | 1 | L(21.1") L(21.1") |
| 2 | 62Y-45301-00-8D | CASING, LOWER BEQUILLE | 1 | 1 | 1 | |
| 3 | 93315-32224 | BEARING ROULEMENT | 1 | 1 | 1 | |
| 4 | 6H4-45536-00 | SLEEVE, DRIVE SHAFT MANCHON, ARBRE MOTEUR | 1 | 1 | 1 | |
| 5 | 663-45587-01 | SHIM (T:0.10MM) CALE (T:0.10MM) | 1 | 1 | 1 | UR |
| | 663-45587-10 | SHIM (T:0.12MM) CALE (T:0.12MM) | 1 | 1 | 1 | UR |
| | 663-45587-20 | SHIM (T:0.15MM) CALE (T:0.15MM) | 1 | 1 | 1 | UR |
| | 663-45587-30 | SHIM (T:0.18MM) CALE (T:0.18MM) | 1 | 1 | 1 | UR |
| | 663-45587-40 | SHIM (T:0.30MM) CALE (T:0.30MM) | 1 | 1 | 1 | UR |
| | 663-45587-50 | SHIM (T:0.40MM) CALE (T:0.40MM) | 1 | 1 | 1 | UR |
| | 663-45587-60 | SHIM (T:0.50MM) CALE (T:0.50MM) | 1 | 1 | 1 | UR |
| 6 | 93332-00001 | BEARING ROULEMENT | 1 | 1 | 1 | |
| 7 | 663-45376-00 | GUIDE, SEAL DAMPER BUTEE, JOINT CAOUTCHOUC | 1 | 1 | 1 | |
| 8 | 63D-45375-00 | DAMPER, SEAL BOURRELET, CAOUTCHOUC | 1 | 1 | 1 | |
| 9 | 90340-08002 | PLUG, STRAIGHT SCREW PLOT, FILETE DROIT | 1 | 1 | 1 | |
| 10 | 90430-08003 | GASKET JOINT | 2 | 2 | 2 | |
| 11 | 688-45341-10 | PLUG, DRAIN BOUCHON DE VIDANGE | 1 | 1 | 1 | |
| 12 | 63D-45321-00 | PLATE PLAQUETTE | 1 | 1 | 1 | |
| 13 | 93106-09014 | OIL SEAL JOINT SPY | 1 | 1 | 1 | |
| 14 | 93210-33MG4 | O-RING JOINT TORIQUE | 1 | 1 | 1 | |
| 15 | 6E5-45378-00 | NIPPLE, HOSE RACCORD, TUYAU | 1 | 1 | 1 | |
| 16 | 90445-07ME8 | HOSE (L80) DURITE (L80) | 1 | 1 | 1 | |
| 17 | 6E5-83558-10 | END, NIPPLE RACCORD DE NIPPLE | 1 | 1 | 1 | |
| 18 | 90465-11M10 | CLAMP BRIDE | 2 | 2 | 2 | |
| 19 | 66T-44311-00 | HOUSING, WATER PUMP CORPS, POMPE A EAU | 1 | 1 | 1 | |
| 20 | 63D-44322-00 | INSERT, CARTRIDGE CUVETTE | 1 | 1 | 1 | |

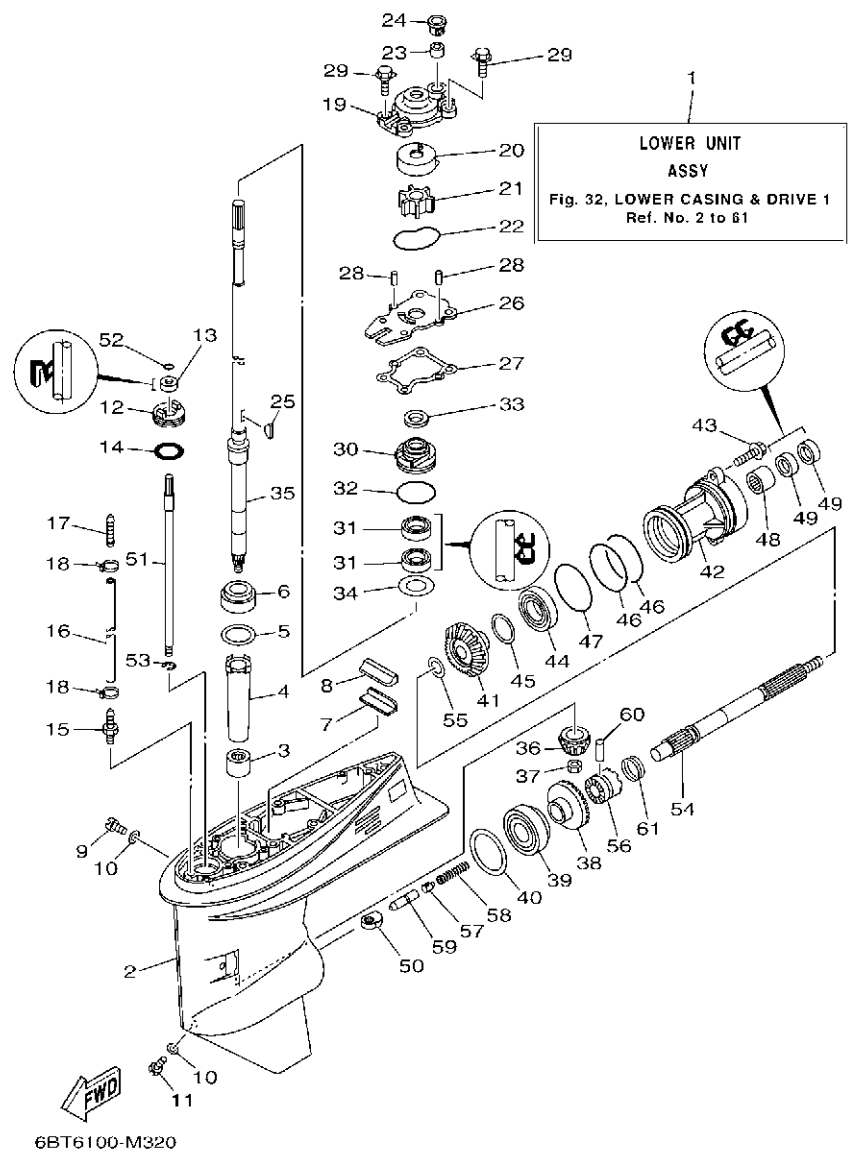
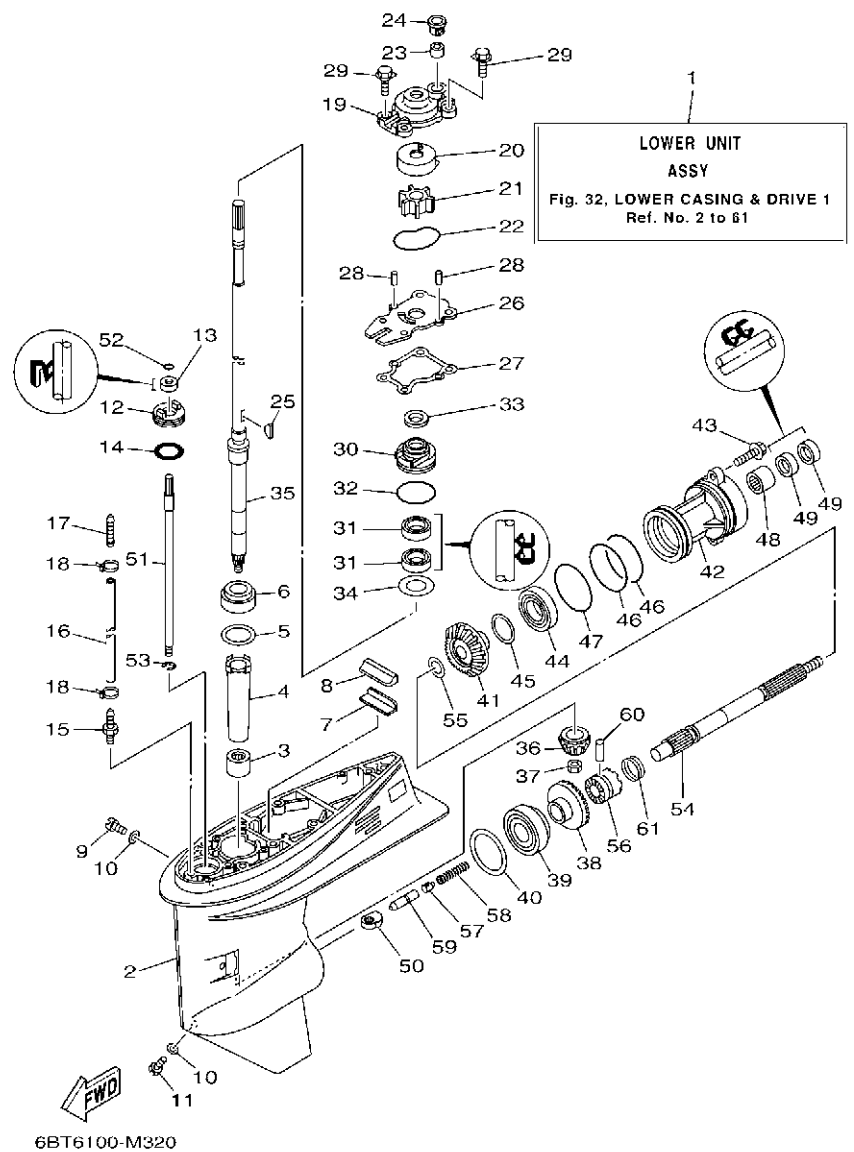


FIG. 32 LOWER CASING & DRIVE 1

BOITIER D'HELICE TRANSMISSION1

| REF. NO. | PART NO. N° PIECES | DESCRIPTION DESCRIPTION | EL | ED | EHD | REMARKS REMARQUES |
|----------|--------------------|--|----|----|-----|----------------------|
| 21 | 6H4-44352-02 | IMPELLER TURBINE | 1 | 1 | 1 | |
| 22 | 93210-59MG7 | O-RING JOINT TORIQUE | 1 | 1 | 1 | |
| 23 | 663-44366-00 | DAMPER, WATER SEAL 2 JOINT, TUBE D'EAU 2 | 1 | 1 | 1 | |
| 24 | 63D-44312-00 | COVER, WATER PUMP HOUSING COUVERCLE | 1 | 1 | 1 | |
| 25 | 90280-03M03 | KEY, WOODRUFF CLAVETTE, DEMI-LUNE | 1 | 1 | 1 | |
| 26 | 63D-44323-00 | OUTER PLATE, CARTRIDGE PLAQUE EXTERIEURE | 1 | 1 | 1 | |
| 27 | 63D-44316-00 | GASKET, WATER PUMP JOINT, POMPE A EAU | 1 | 1 | 1 | |
| 28 | 93604-08062 | PIN, DOWEL CLAVETTE | 2 | 2 | 2 | |
| 29 | 90119-08M15 | BOLT, WITH WASHER BOULON, AVEC RONDELLE | 4 | 4 | 4 | |
| 30 | 6BG-44341-00 | HOUSING, WATER PUMP CORPS, POMPE A EAU | 1 | 1 | 1 | |
| 31 | 93101-22M60 | OIL SEAL JOINT SPY | 2 | 2 | 2 | |
| 32 | 93210-48001 | O-RING JOINT TORIQUE | 1 | 1 | 1 | |
| 33 | 66T-45344-01 | COVER, OIL SEAL FLASQUE, JOINT D'HUILE | 1 | 1 | 1 | |
| 34 | 90201-27M00 | WASHER, PLATE RONDELLE, PLATE | 1 | 1 | 1 | |
| 35 | 67C-45501-00 | DRIVE SHAFT COMP. ARBRE MOTEUR COMP. | 1 | | 1 | S(16.3") S(16.3") |
| | 67C-45501-10 | DRIVE SHAFT COMP. ARBRE MOTEUR COMP. | 1 | 1 | 1 | L(21.1") L(21.1") |
| 36 | 66T-45551-00 | PINION (13T) PIGNON D'ATTAQUE (13D) | 1 | 1 | 1 | |
| 37 | 90170-12138 | NUT ECROU | 1 | 1 | 1 | |
| 38 | 66T-45560-01 | GEAR 1 (26T) PIGNON 1 (26T) | 1 | 1 | 1 | |
| 39 | 93332-00003 | BEARING ROULEMENT | 1 | 1 | 1 | |
| 40 | 663-45567-01 | SHIM (T:0.10MM) CALE (T:0.10MM) | 1 | 1 | 1 | UR |
| | 663-45567-10 | SHIM (T:0.12MM) CALE (T:0.12MM) | 1 | 1 | 1 | UR |
| | 663-45567-20 | SHIM (T:0.15MM) CALE (T:0.15MM) | 1 | 1 | 1 | UR |
| | 663-45567-30 | SHIM (T:0.18MM) CALE (T:0.18MM) | 1 | 1 | 1 | UR |
| | 663-45567-40 | SHIM (T:0.30MM) CALE (T:0.30MM) | 1 | 1 | 1 | UR |
| | 663-45567-50 | SHIM (T:0.40MM) CALE (T:0.40MM) | 1 | 1 | 1 | UR |
| | 663-45567-60 | SHIM (T:0.50MM) CALE (T:0.50MM) | 1 | 1 | 1 | UR |



6BT6100-M320

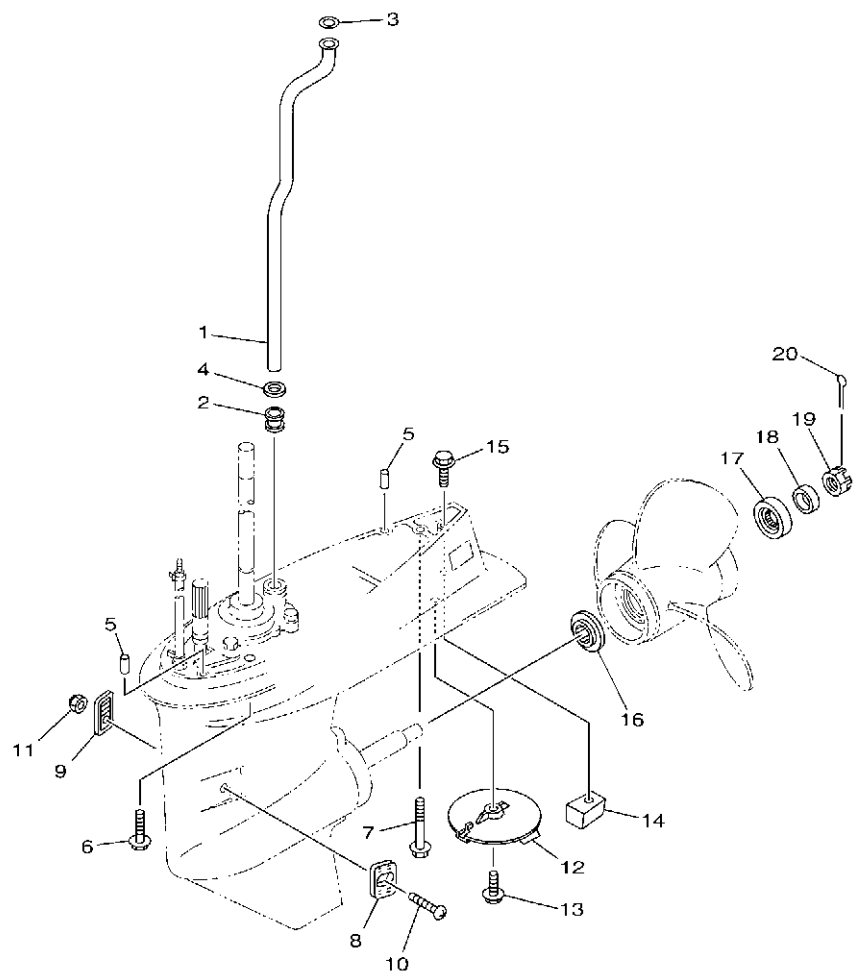
FIG. 32 LOWER CASING & DRIVE 1

BOITIER D'HELICE TRANSMISSION1

| REF. NO. | PART NO. N° PIECES | DESCRIPTION DESCRIPTION | ET | ED | EHD | REMARKS REMARQUES |
|----------|--------------------|--|----|----|-----|-------------------|
| 41 | 66T-45571-00 | GEAR 2 (26T) PIGNON 2 (26T) | 1 | 1 | 1 | |
| 42 | 63D-45361-02-8D | CAP, LOWER CASING COUVERCLE, BOITIER D'HELICE | 1 | 1 | 1 | |
| 43 | 90105-08M61 | BOLT, FLANGE BOULON, A COLLERETTE | 2 | 2 | 2 | |
| 44 | 93306-001U1 | BEARING ROULEMENT | 1 | 1 | 1 | |
| 45 | 63D-45577-00 | SHIM (T:0.10MM) CALE (T:0.10MM) | 1 | 1 | 1 | UR UR |
| | 63D-45577-10 | SHIM (T:0.12MM) CALE (T:0.12MM) | 1 | 1 | 1 | UR UR |
| | 63D-45577-20 | SHIM (T:0.15MM) CALE (T:0.15MM) | 1 | 1 | 1 | UR UR |
| | 63D-45577-30 | SHIM (T:0.18MM) CALE (T:0.18MM) | 1 | 1 | 1 | UR UR |
| | 63D-45577-40 | SHIM (T:0.30MM) CALE (T:0.30MM) | 1 | 1 | 1 | UR UR |
| | 63D-45577-50 | SHIM (T:0.40MM) CALE (T:0.40MM) | 1 | 1 | 1 | UR UR |
| | 63D-45577-60 | SHIM (T:0.50MM) CALE (T:0.50MM) | 1 | 1 | 1 | UR UR |
| 46 | 93210-74MG5 | O-RING JOINT TORIQUE | 2 | 2 | 2 | |
| 47 | 93210-69MG6 | O-RING JOINT TORIQUE | 1 | 1 | 1 | |
| 48 | 93317-22204 | BEARING ROULEMENT | 1 | 1 | 1 | |
| 49 | 93101-22M00 | OIL SEAL JOINT SPY | 2 | 2 | 2 | |
| 50 | 62Y-44151-00 | CAM, SHIFT CAME, INVERSION | 1 | 1 | 1 | |
| 51 | 63D-44144-00 | ROD, SHIFT 2 TIGE D'EMBAYAGE 2 | 1 | 1 | 1 | |
| 52 | 93210-07003 | O-RING JOINT TORIQUE | 1 | 1 | 1 | |
| 53 | 99001-08600 | CIRCLIP CIRCLIP | 1 | 1 | 1 | |
| 54 | 63D-45611-00 | SHAFT, PROPELLER ARBRE, HELICE | 1 | 1 | 1 | |
| 55 | 90201-22429 | WASHER, PLATE RONDELLE, PLATE | 1 | 1 | 1 | |
| 56 | 63D-45631-01 | CLUTCH, DOG CRABOT | 1 | 1 | 1 | |
| 57 | 663-45634-00 | SLIDE, SHIFT CONTRE-POUSSOIR | 1 | 1 | 1 | |
| 58 | 90501-18001 | SPRING, COMPRESSION RESSORT, COMPRESSION | 1 | 1 | 1 | |
| 59 | 63D-45635-00 | PLUNGER, SHIFT POUSSOIR D'EMBAYAGE | 1 | 1 | 1 | |
| 60 | 90250-06023 | PIN, STRAIGHT GOUILLE, DROITE | 1 | 1 | 1 | |
| 61 | 67C-45633-00 | RING, CROSS PIN JONC, GOUILLE CRABOT | 1 | 1 | 1 | |

FIG. 33 LOWER CASING & DRIVE 2

BOITIER D'HELICE TRANSMISSION2



6BTB100-S330

| REF. NO. | PART NO. N° PIECES | DESCRIPTION DESCRIPTION | ET | ED | EHD | REMARKS REMARQUES |
|----------|--------------------|---|----|----|-----|----------------------|
| 1 | 67C-44361-00 | TUBE, WATER 1 TUBE D'EAU 1 | 1 | | 1 | S(16.3") S(16.3") |
| | 62Y-44361-00 | TUBE, WATER 1 TUBE D'EAU 1 | 1 | 1 | 1 | L(21.1") L(21.1") |
| 2 | 663-44367-00 | DAMPER, WATER SEAL 3 JOINT TUBE D'EAU 3 | 1 | 1 | 1 | |
| 3 | 90202-12060 | WASHER, PLATE RONDELLE, PLATE | 1 | 1 | 1 | |
| 4 | 90430-12072 | GASKET JOINT | 1 | 1 | 1 | |
| 5 | 93606-12019 | PIN, DOWEL GOUPILLE | 2 | 2 | 2 | |
| 6 | 90119-10068 | BOLT, WITH WASHER BOULON, AVEC RONDELLE | 4 | 4 | 4 | |
| 7 | 97E75-08565 | BOLT, HEXAGON W/W DEEP RECESS VIS HEXAGONAL AVC RONDELLE | 1 | 1 | 1 | |
| 8 | 63D-45214-00 | COVER, WATER INLET 1 GRILLE, ENTREE D'EAU 1 | 1 | 1 | 1 | |
| 9 | 63D-45215-00 | COVER, WATER INLET 2 GRILLE, ENTREE D'EAU 2 | 1 | 1 | 1 | |
| 10 | 90152-05010 | SCREW, COUNTERSUNK VIS, TETE NOYEE | 1 | 1 | 1 | |
| 11 | 95380-05600 | NUT ECROU | 1 | 1 | 1 | |
| 12 | 67C-45371-00 | TAB-TRIM ANODE DERIVE | 1 | 1 | 1 | |
| 13 | 97E95-08525 | BOLT, HEXAGON W/W DEEP RECESS VIS HEXAGONAL AVC RONDELLE | 1 | 1 | 1 | |
| 14 | 67C-45251-00 | ANODE ANODE | 1 | 1 | 1 | |
| 15 | 97E95-08535 | BOLT, HEXAGON W/W DEEP RECESS VIS HEXAGONAL AVC RONDELLE | 1 | 1 | 1 | |
| 16 | 663-45987-02 | SPACER 1 ENTRETOISE 1 | 1 | 1 | 1 | |
| 17 | 66T-45997-00 | SPACER 2 ENTRETOISE 2 | 1 | 1 | 1 | |
| 18 | 90389-22M01 | BUSH DOUILLE | 1 | 1 | 1 | |
| 19 | 90171-16011 | NUT, CASTLE ECROU, CRENELE | 1 | 1 | 1 | |
| 20 | 91490-30025 | PIN, COTTER GOUPILLE | 1 | 1 | 1 | |

FIG. 34 FUEL TANK 23 L

RESEVOIR A ESSENCE 23 L

| REF. NO. | PART NO. NO. PIECES | DESCRIPTION DESCRIPTION | | | | | REMARKS REMARQUES |
|----------|---------------------|--|--|--|--|---|-------------------|
| 1 | 8085080 | COMPLETE FUEL TANK 23 L RESEVOIR A ESSENCE (ENS.) 23 L | | | | 1 | |
| 2 | 3540275 | GASKET JOINT | | | | 1 | |
| 3 | 1598845 | FUEL TANK PLUG (POS. NO 2+3) BOUCHON (ENS.) (POS. 2+3) | | | | 1 | |
| 4 | 8055085 | COMPLETE FUEL SUCTION DURITE DE SUCCION | | | | 1 | |
| 5 | 7080500 | CLAMP COLLIER | | | | 1 | |
| 6 | 8050270 | FUEL HOSE DURITE A ESSENCE | | | | 1 | |
| 7 | 7080490 | CLAMP COLLIER | | | | 1 | |
| 8 | 6G1-24305-01 | FUEL CONNECTOR - FEMALE DURITE RACCORDEMENT A ESSENCE | | | | 1 | |
| | 1575270 | FUEL TANK WITH PIPE RESEVOIR A ESSENCE + DURITE | | | | 1 | |
| | 1581280 | COMPLETE PIPE (POS.NO. 5+6+7) DURITE A ESSENCE (ENS) (POS. 5+6+7) | | | | 1 | |

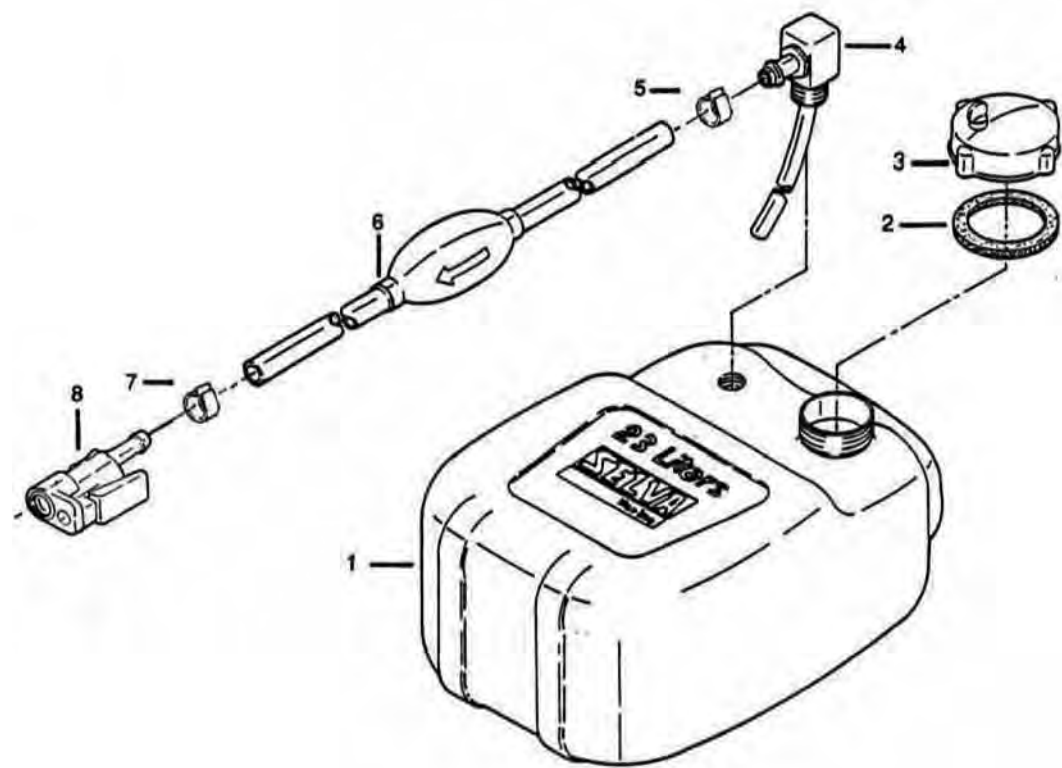
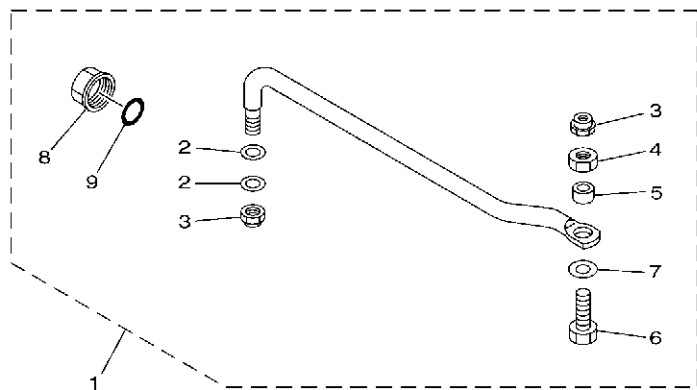


FIG. 35 STEERING GUIDE

FIXATION DE DIRECTION



| REF. NO. | PART NO. N° PIECES | DESCRIPTION DESCRIPTION | EI | ED | EHD | REMARKS REMARQUES |
|----------|--------------------|---|----|----|-----|-------------------|
| 1 | 6BG-61350-00 | STEERING GUIDE ATTACHMENT KIT FIXATIONS DE DIRECTION | 1 | 1 | | AP AP |
| 2 | 90201-10M20 | .WASHER, PLATE .RONDELLE, PLATE | 2 | 2 | | |
| 3 | 90185-09M01 | .NUT, SELF-LOCKING .ECROU,AUTO-BLOQUANT | 2 | 2 | | |
| 4 | 90170-09M03 | .NUT .ECROU | 1 | 1 | | |
| 5 | 90387-10M42 | .COLLAR .COLLERETTE | 1 | 1 | | |
| 6 | 90101-09M01 | .BOLT .BOULON | 1 | 1 | | |
| 7 | 90201-10M63 | .WASHER, PLATE .RONDELLE, PLATE | 1 | 1 | | |
| 8 | 6E5-43145-01 | .CAP, CLAMP BRACKET .CAPUCHON, PRESSE | 1 | 1 | | |
| 9 | 93210-16275 | .O-RING .JOINT TORIQUE | 1 | 1 | | |

6BG1100-H340

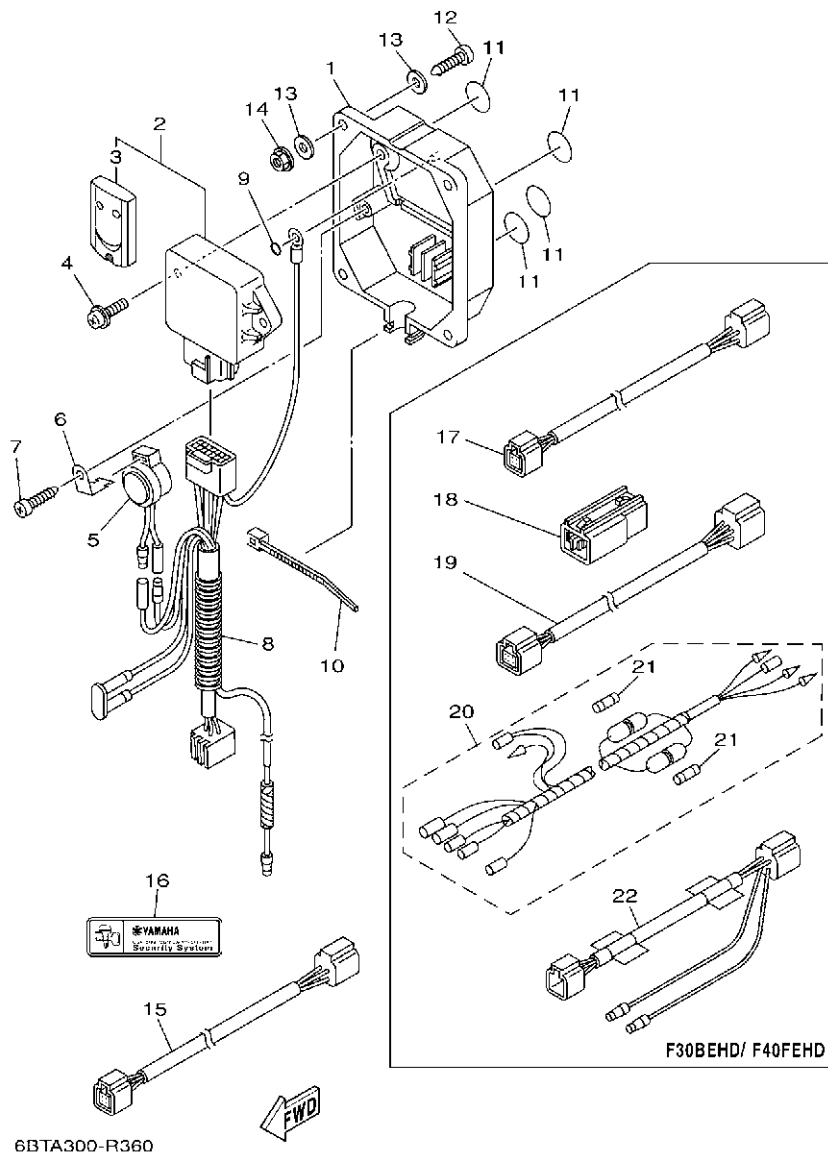
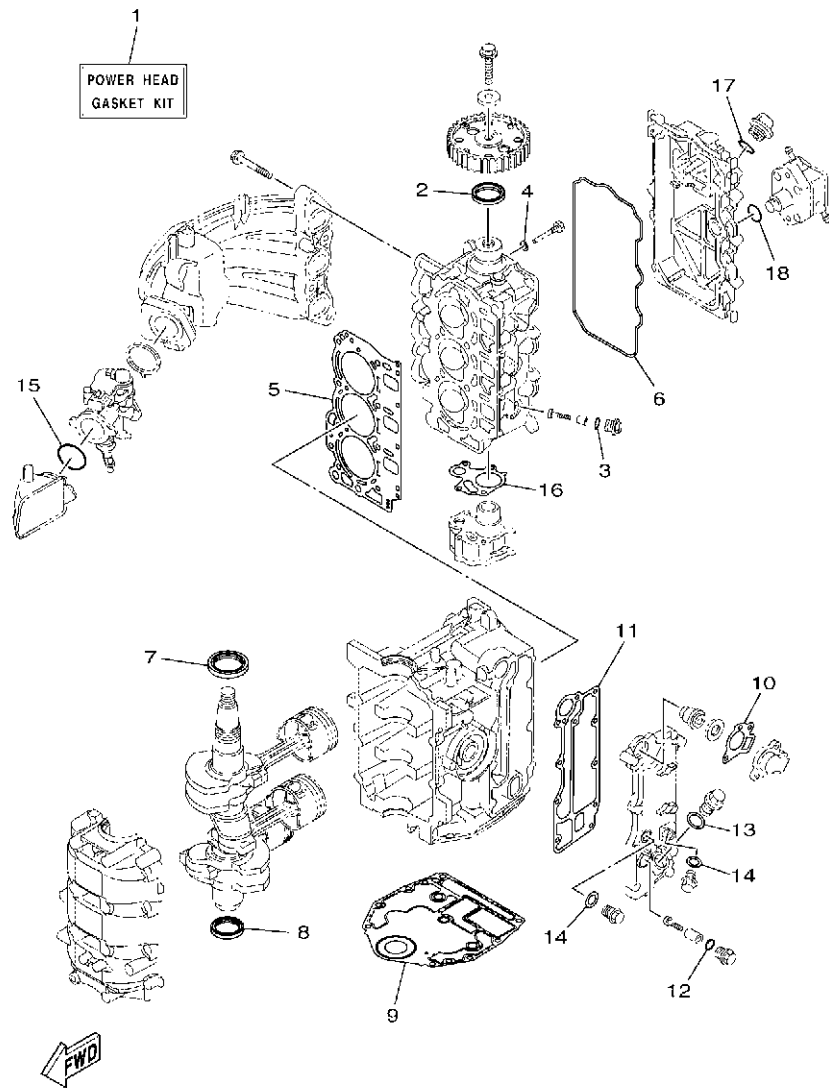


FIG. 36 OPTIONAL PARTS

PIECES OPTIONNELLES

| REF. NO. | PART NO. N° PIECES | DESCRIPTION DESCRIPTION | EL | ED | EHD | REMARKS REMARQUES |
|----------|--------------------|--|----|----|-----|-------------------|
| 1 | 6Y8-86267-00 | CASE COMPLETE 1 CARTER (ENS.) 1 | 1 | 1 | 1 | |
| 2 | 6Y8-86260-03 | REMOTE CONTROL UNIT ASSY UNITE DE TELECOMMANDE (ENS.) | 1 | 1 | 1 | |
| 3 | 6AA-86261-01 | .XMTR. COMP. .XMTR. COMP. | 2 | 2 | 2 | |
| 4 | 97980-06216 | SCREW, WITH WASHER VIS, AVEC RONDELLE | 2 | 2 | 2 | |
| 5 | 6X4-83383-00 | BUZZER RONFLEUR | 1 | 1 | 1 | |
| 6 | 6X4-83386-00 | STAY, BUZZER SUPPOR, RONFLEUR | 1 | 1 | 1 | |
| 7 | 97780-60620 | SCREW, TAPPING VIS, TETE BOMBEE | 1 | 1 | 1 | |
| 8 | 6Y8-82509-10 | WIRE, SUB LEAD FIL, SECONDAIRE | 1 | 1 | 1 | |
| 9 | 93210-04279 | O-RING JOINT TORIQUE | 1 | 1 | 1 | |
| 10 | 90465-11M10 | CLAMP BRIDE | 1 | 1 | 1 | |
| 11 | 6Y8-8454G-00 | PATCH 1 TAMPON 1 | 4 | 4 | 4 | |
| 12 | 90167-06M00 | SCREW, TAPPING VIS, TETE FRAISEE | 4 | 4 | 4 | UR |
| | 97880-06035 | SCREW, PAN HEAD VIS, TETE TRONCONIQUE | 4 | 4 | 4 | UR |
| 13 | 90201-06M30 | WASHER, PLATE RONDELLE, PLATE | 8 | 8 | 8 | UR |
| 14 | 95780-06300 | NUT, FLANGE ECROU | 4 | 4 | 4 | |
| 15 | 6Y8-82521-11 | 2FT PIGTAIL BUS FAISCEAU (L: 2FT.) | 1 | 1 | 1 | |
| 16 | 6Y8-48277-00 | STICKER 1 ETIQUETTE 1 | 4 | 4 | 4 | |
| 17 | 6Y8-82521-51 | 12FT PIGTAIL BUS FAISCEAU (L: 12FT.) | | | 1 | |
| 18 | 6Y8-81920-11 | IN-LINE HUB ASSY BORNE | | | 2 | |
| 19 | 6Y8-82553-01 | 1FT MAIN BUS EXTENSION, FAISCEAU | | | 1 | |
| 20 | 6Y5-83553-M0 | WIRE, LEAD (L=2.5M) FIL (L=2.5M) | | | 1 | |
| 21 | 1E6-82151-00 | .FUSE (10A) .FUSIBLE (10A) | | | 2 | |
| 22 | 6Y8-82117-00 | WIRE, LEAD FIL | | | 1 | |



6BG7100-N370

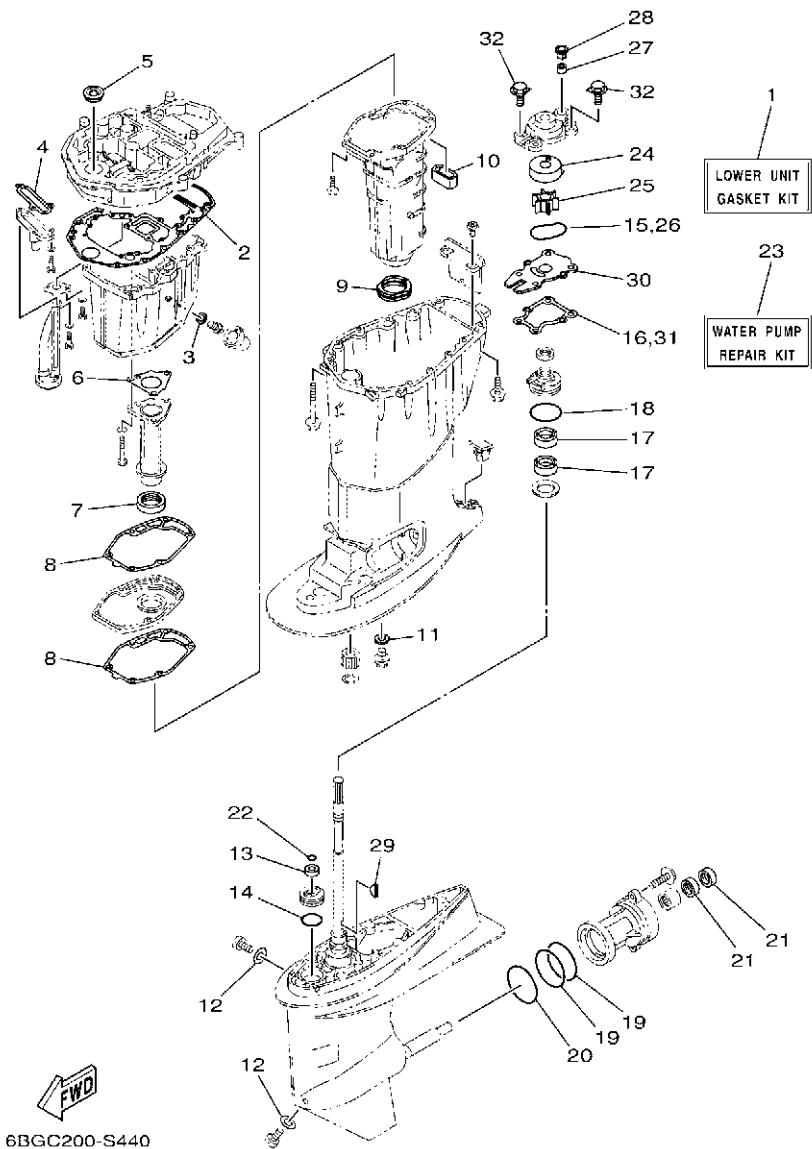
FIG. 37 REPAIR KIT 1

KITS DE REPARATION 1

| REF. NO. | PART NO. N° PIECES | DESCRIPTION DESCRIPTION | ET | ED | EHD | REMARKS REMARQUES |
|----------|--------------------|---|----|----|-----|-------------------|
| 1 | 6BG-W0001-01 | POWER HEAD GASKET KIT POCHETTE DE JINTS TETE MOTRICE | 1 | 1 | 1 | |
| 2 | 93102-37M40 | .OIL SEAL .JOINT SPY | 1 | 1 | 1 | |
| 3 | 93210-13M63 | .O-RING .JOINT TORIQUE | 3 | 3 | 3 | |
| 4 | 90430-06014 | .GASKET .JOINT | 1 | 1 | 1 | |
| 5 | 6BG-11181-00 | .GASKET, CYLINDER HEAD 1 .JOINT, DE CULASSE 1 | 1 | 1 | 1 | |
| 6 | 6BG-11356-00 | .SEAL, CYLINDER 2 .JOINT, SPY CYLINDRE | 1 | 1 | 1 | |
| 7 | 93102-43M42 | .OIL SEAL .JOINT SPY | 1 | 1 | 1 | |
| 8 | 93101-35002 | .OIL SEAL .JOINT SPY | 1 | 1 | 1 | |
| 9 | 6BG-11351-00 | .GASKET, CYLINDER .JOINT, D'EMBASE | 1 | 1 | 1 | |
| 10 | 62Y-12414-00 | .GASKET, COVER .JOINT, COUVERCLE | 1 | 1 | 1 | |
| 11 | 6BG-41114-00 | .GASKET, EXHAUST OUTER COVER .JOINT, COUVERCLE D'ECHAPPEMENT | 1 | 1 | 1 | |
| 12 | 93210-13M63 | .O-RING .JOINT TORIQUE | 1 | 1 | 1 | |
| 13 | 90201-186F1 | .WASHER, PLATE .RONDELLE, PLATE | 1 | 1 | 1 | |
| 14 | 90430-14115 | .GASKET .JOINT | 2 | 2 | 2 | |
| 15 | 93210-42159 | .O-RING .JOINT TORIQUE | 1 | 1 | 1 | |
| 16 | 6C5-13329-00 | .GASKET, PUMP COVER .JOINT, COUVERCLE DE POMPE | 1 | 1 | 1 | |
| 17 | 93210-24M79 | .O-RING .JOINT TORIQUE | 1 | 1 | 1 | |
| 18 | 93210-24M79 | .O-RING .JOINT TORIQUE | 1 | 1 | 1 | |

FIG. 38 REPAIR KIT 2

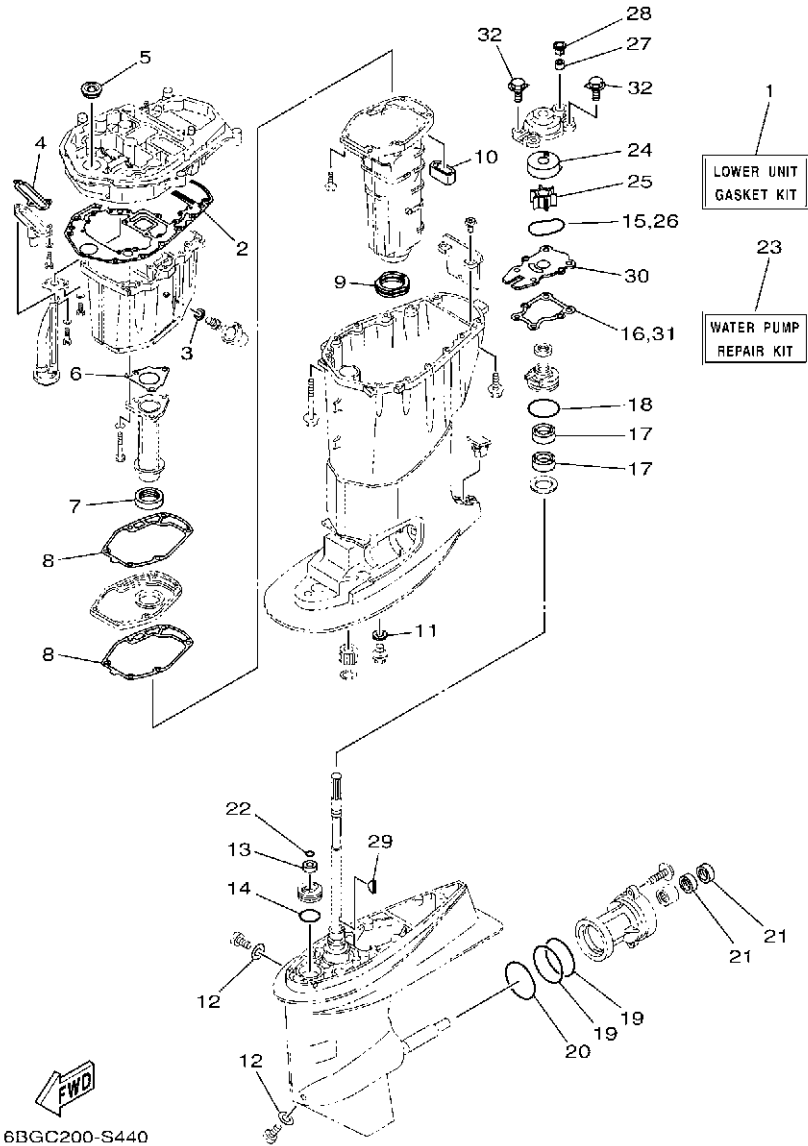
KITS DE REPARATION 2



| REF. NO. | PART NO. N° PIECES | DESCRIPTION DESCRIPTION | Et | Ed | EHD | REMARKS REMARQUES |
|----------|--------------------|---|----|----|-----|-------------------|
| 1 | 6BG-W0001-21 | LOWER UNIT GASKET KIT POCHETTE DE JOINTS EMBASE | 1 | 1 | 1 | |
| 2 | 69W-15312-00 | .GASKET, OIL PAN .JOINT DE VENTILATEUR D'HUILE | 1 | 1 | 1 | |
| 3 | 90430-14M09 | .GASKET .JOINT | 1 | 1 | 1 | |
| 4 | 62Y-13475-00 | .GASKET .JOINT | 1 | 1 | 1 | |
| 5 | 93103-16011 | .OIL SEAL .JOINT SPY | 1 | 1 | 1 | |
| 6 | 64J-41133-10 | .GASKET, EXHAUST MANIFOLD 1 .JOINT, PIPE D'ECHAPPEMENT | 1 | 1 | 1 | |
| 7 | 64J-46132-10 | .GASKET 1 .JOINT 1 | 1 | 1 | 1 | |
| 8 | 6BG-41134-00 | .GASKET, EXHAUST MANIFOLD .JOINT, PIPE D'ECHAPPEMENT | 2 | 2 | 2 | |
| 9 | 67C-45123-00 | .GASKET, MUFFLER .JOINT, POT DE DETENTE | 1 | 1 | 1 | |
| 10 | 62Y-45127-00 | .SEAL .JOINT | 1 | 1 | 1 | |
| 11 | 90430-14M09 | .GASKET .JOINT | 1 | 1 | 1 | |
| 12 | 90430-08003 | .GASKET .JOINT | 2 | 2 | 2 | |
| 13 | 93106-09014 | .OIL SEAL .JOINT SPY | 1 | 1 | 1 | |
| 14 | 93210-33MG4 | .O-RING .JOINT TORIQUE | 1 | 1 | 1 | |
| 15 | 93210-59MG7 | .O-RING .JOINT TORIQUE | 1 | 1 | 1 | |
| 16 | 63D-44316-00 | .GASKET, WATER PUMP .JOINT, POMPE A EAU | 1 | 1 | 1 | |
| 17 | 93101-22M60 | .OIL SEAL .JOINT SPY | 2 | 2 | 2 | |
| 18 | 93210-48001 | .O-RING .JOINT TORIQUE | 1 | 1 | 1 | |
| 19 | 93210-74MG5 | .O-RING .JOINT TORIQUE | 2 | 2 | 2 | |
| 20 | 93210-69MG6 | .O-RING .JOINT TORIQUE | 1 | 1 | 1 | |
| 21 | 93101-22M00 | .OIL SEAL .JOINT SPY | 2 | 2 | 2 | |
| 22 | 93210-07003 | .O-RING .JOINT TORIQUE | 1 | 1 | 1 | |
| 23 | 6BG-W0078-00 | WATER PUMP REPAIR KIT KIT DE REPARATION DE LA POMPE | 1 | 1 | 1 | |
| 24 | 63D-44322-00 | .INSERT, CARTRIDGE .CUVETTE | 1 | 1 | 1 | |
| 25 | 6H4-44352-02 | .IMPELLER .TURBINE | 1 | 1 | 1 | |
| 26 | 93210-59MG7 | .O-RING .JOINT TORIQUE | 1 | 1 | 1 | |
| 27 | 663-44366-00 | .DAMPER, WATER SEAL 2 .JOINT, TUBE D'EAU 2 | 1 | 1 | 1 | |

FIG. 38 REPAIR KIT 2

KITS DE REPARATION 2



| REF. NO. | PART NO. N° PIECES | DESCRIPTION DESCRIPTION | ET | ED | EHD | REMARKS REMARQUES |
|----------|--------------------|---|----|----|-----|-------------------|
| 28 | 63D-44312-00 | .COVER, WATER PUMP HOUSING .COUVERCLE | 1 | 1 | 1 | |
| 29 | 90280-03M03 | .KEY, WOODRUFF .CLAVETTE, DEMI-LUNE | 1 | 1 | 1 | |
| 30 | 63D-44323-00 | .OUTER PLATE, CARTRIDGE .PLAQUE EXTERIEURE | 1 | 1 | 1 | |
| 31 | 63D-44316-00 | .GASKET, WATER PUMP .JOINT, POMPE A EAU | 1 | 1 | 1 | |
| 32 | 90119-08M15 | .BOLT, WITH WASHER .BOULON, AVEC RONDELLE | 4 | 4 | 4 | |
| <hr/> | | | | | | |
| <hr/> | | | | | | |
| <hr/> | | | | | | |
| <hr/> | | | | | | |
| <hr/> | | | | | | |
| <hr/> | | | | | | |
| <hr/> | | | | | | |
| <hr/> | | | | | | |