

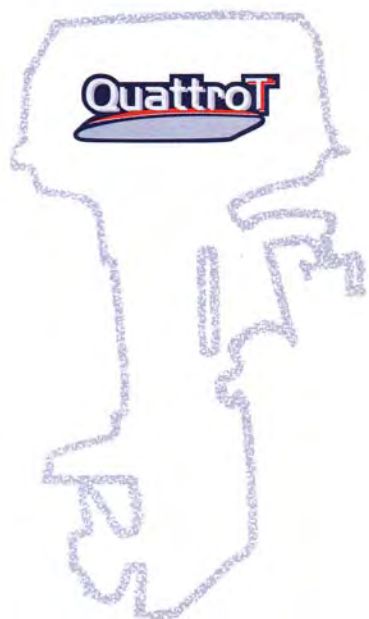
Killer Whale 150 - 150XSR EFI

Production year 2019

Production année 2019

PARTS CATALOGUE

CATALOGUE DE PIÈCES DÉTACHÉES



ENGINE STARTIG SERIAL NUMBER: model right 63P-1221315

ENGINE STARTIG SERIAL NUMBER: model left 64P-1023588



FOREWORD

This Parts Catalogue is related to the parts for the model(s) on the cover page. When you are ordering replacement parts, please refer to this Parts Catalogue and quote both part numbers and part names correctly.

1. Modifications or additions which have been made after the issue of the Parts Catalogue will be announced in the Parts News.
It is advisable that you make the necessary corrections to the Parts Catalogue according to the Parts News.

2. Abbreviations

The following abbreviations are used in this Parts Catalogue.

“UR” Use specified parts number.

“UN” Use as many as needed.

“AP” Alternate Parts

“LM” Locally Made (Parts need to be ordered locally)

“F#” Frame No. (Applicable machine No.)

“O/S” Over Size

3. The number of components for assembly

- Parts, which are to be supplied in an assembly, are listed with a dot (.) in front of the part name as shown below.
- The numeral appearing to the right of each component part indicates the quantity of parts for each assembly unit.

PART NO.	DESCRIPTION	Q'TY	REMARKS
2F5-83310-60	FRONT FLASHER LIGHT ASSY	2	
115-83311-60	.BULB (6V-18W)	1	

4. Applicable colours of graphics are represented in the “REMARKS” as shown below.

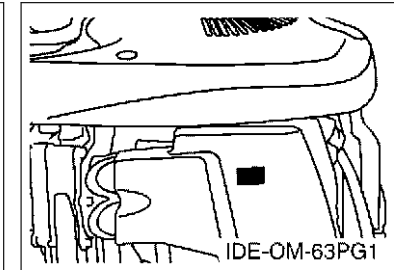
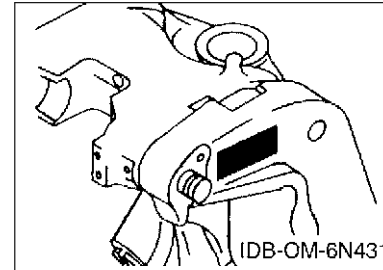
PART NO.	DESCRIPTION	Q'TY	REMARKS
2N4-24110-00-X5	FUEL TANK COMP.	2	MXR
3J1-24240-10	.GRAPHIC, FUEL TANK	1	FOR MXR

5. Note that the illustrations for reference in finding parts numbers are not to be used for assembling. When assembling, please use the applicable service manual.

6. The asterisk (*) before a reference number indicates modified items after the first edition.

7. Applicable Serial No.

Engine Serial No.



8. Applicable Engine Starting Serial No.

Model	Serial No.	Model	Serial No.
F150D	63P-1221315	FL150D	64P-1023588

9. Applicable Colour Code

Abbreviation	Colour Name	Colour Code
DBN1	DARK BLUISH GRAY 1	008D

10. Quantity Column Information

Column No.	Name Of Q'ty Column	Applicable Model
1	63PH	F150DET
2	64PH	FL150DET

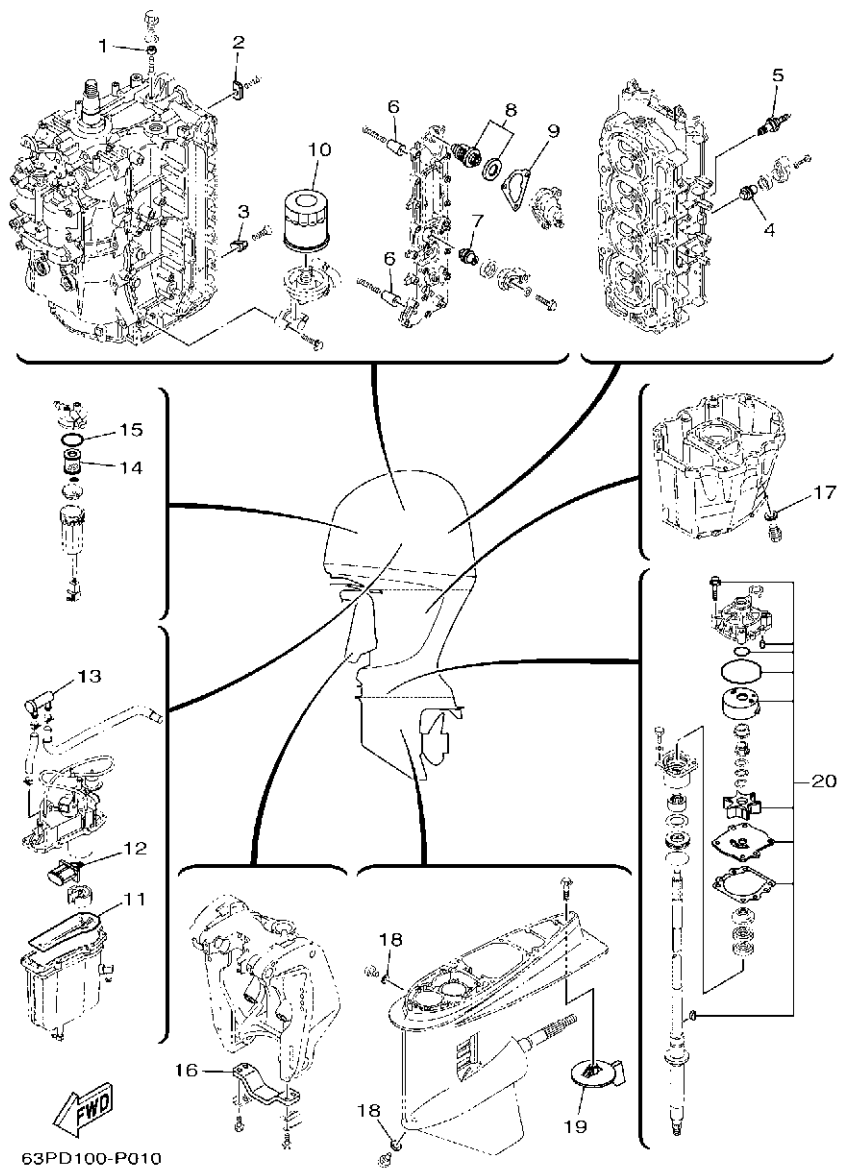


FIG. 1 SCHEDULED SERVICE PARTS

PIECES MAINTENANCE PERIODIQUE

REF. NO.	PART NO. N° PIECES	DESCRIPTION DESCRIPTION	63PH	64PH	REMARKS REMARQUES
1	63P-11325-21	ANODE	1	1	
2	63P-11325-11	ANODE	4	4	
3	63P-11325-01	ANODE	1	1	
4	67F-11325-01	ANODE	2	2	
5	94702-00391	PLUG, SPARK (NGK LFR5A-11) BOUGIE D'ALLUMAGE(NGK LFR5A-11)	4	4	
6	68T-11325-00	ANODE	8	8	
7	67F-11325-01	ANODE	1	1	
8	67F-12411-01	THERMOSTAT	1	1	
9	63P-12414-00	GASKET, COVER JOINT, COUVERCLE	1	1	
10	69J-13440-03	ELEMENT ASSY, OIL CLEANER ELEMENT, FILTRE A HUILE	1	1	
11	63P-14984-00	GASKET, FLOAT CHAMBER JOINT, CUVE DE FLOTTEUR	1	1	
12	63P-13915-00	FILTER FILTRE	1	1	
13	69J-24501-10	FILTER, FUEL FILTRE	1	1	
14	6P3-24563-01	ELEMENT, FILTER ELEMENT, FILTRE	1	1	
15	6P3-24564-00	GASKET JOINT	1	1	
16	6G5-45251-02	ANODE ANODE	1	1	
17	90430-14M09	GASKET JOINT	1	1	
18	90430-08003	GASKET JOINT	2	2	
19	6J9-45371-01 6K1-45371-02	TAB-TRIM ANODE DERIVE TAB-TRIM ANODE DERIVE	1 1	 1	
20	61A-W0078-A3	WATER PUMP REPAIR KIT KIT DE REPARATION DE LA POMPE	1	1	

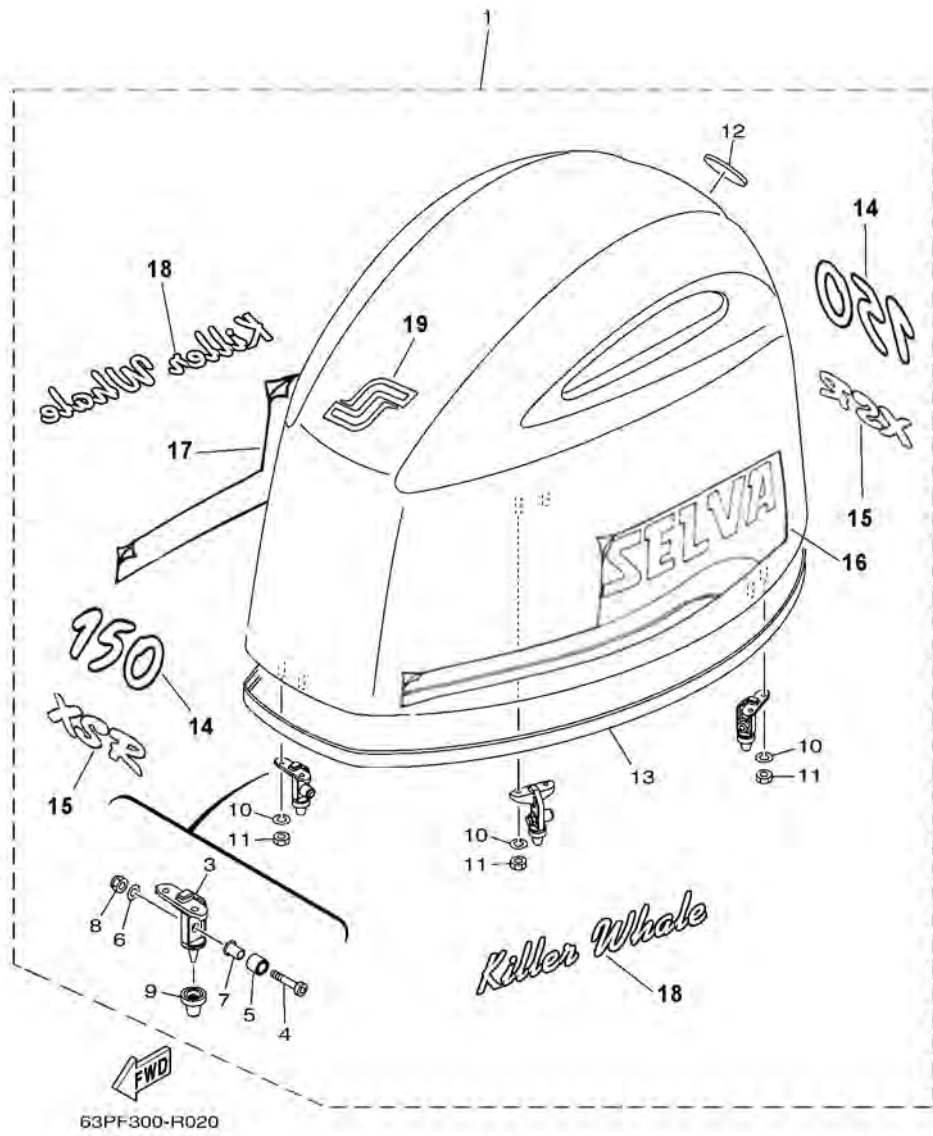


FIG. 2 TOP COWLING

CAPOT SUPERIEUR

REF. NO.	PART NO. N° PIECES	DESCRIPTION DESCRIPTION	63PH	64PH	REMARKS REMARQUES
1	1504920	TOP COWLING ASSY CAPOT (ENS.)	1	1	
2	1504918	TOP COWLING ASSY CAPOT (ENS.)	1	1	XSR
3	6CB-42647-A0	..HOLDER, CLAMP BAND ..SUPPORT, SANDOW DE SERRAGE	3	3	
4	90111-08078	..BOLT,HEX. SOCKET BUTTON ..BOULON	3	3	
5	90387-10094	..COLLAR ..COLLERETTE	3	3	
6	92990-08600	..WASHER, PLATE ..RONDELLE, PLATE	3	3	
7	90387-08M45	..COLLAR ..COLLERETTE	3	3	
8	95780-08300	..NUT, FLANGE ..ECROU	3	3	
9	6AW-42663-00	..DAMPER 2 ..AMORTISSEUR 2	3	3	
10	92990-06100	..WASHER, SPRING ..RONDELLE, GROWER	6	6	
11	95380-06600	..NUT, HEXAGON ..ECROU	6	6	
12	8093512	..SELVA MARK ..MARQUE, SELVA	1	1	
13	6CB-42628-00	..SEAL ..JOINT	1	1	
14	8093220	..GRAPHIC, 150 ..ADHESIF, 150	2	2	
15	8093440	..GRAPHIC, XSR ..ADHESIF, XSR	2	2	XSR
16	8093460	..GRAPHIC, LEFT ..ADHESIF, GOUCHE	1	1	
	8093450	..GRAPHIC, LEFT ..ADHESIF, GOUCHE	1	1	XSR
17	8093465	..GRAPHIC, RIGHT ..ADHESIF, DROIT	1	1	
	8093455	..GRAPHIC, FRONT ..ADHESIF, DROIT	1	1	XSR
18	8093012	..GRAPHIC, KILLER WHALE ..ADHESIF, KILLER WHALE	2	2	
19	8093514	..GRAPHIC, S ..ADHESIF, S	1	1	
	1534595	..GRAPHIC, SET ..JEU D'EMBLEMES	1	1	
	1534590	..GRAPHIC, SET ..JEU D'EMBLEMES	1	1	XSR

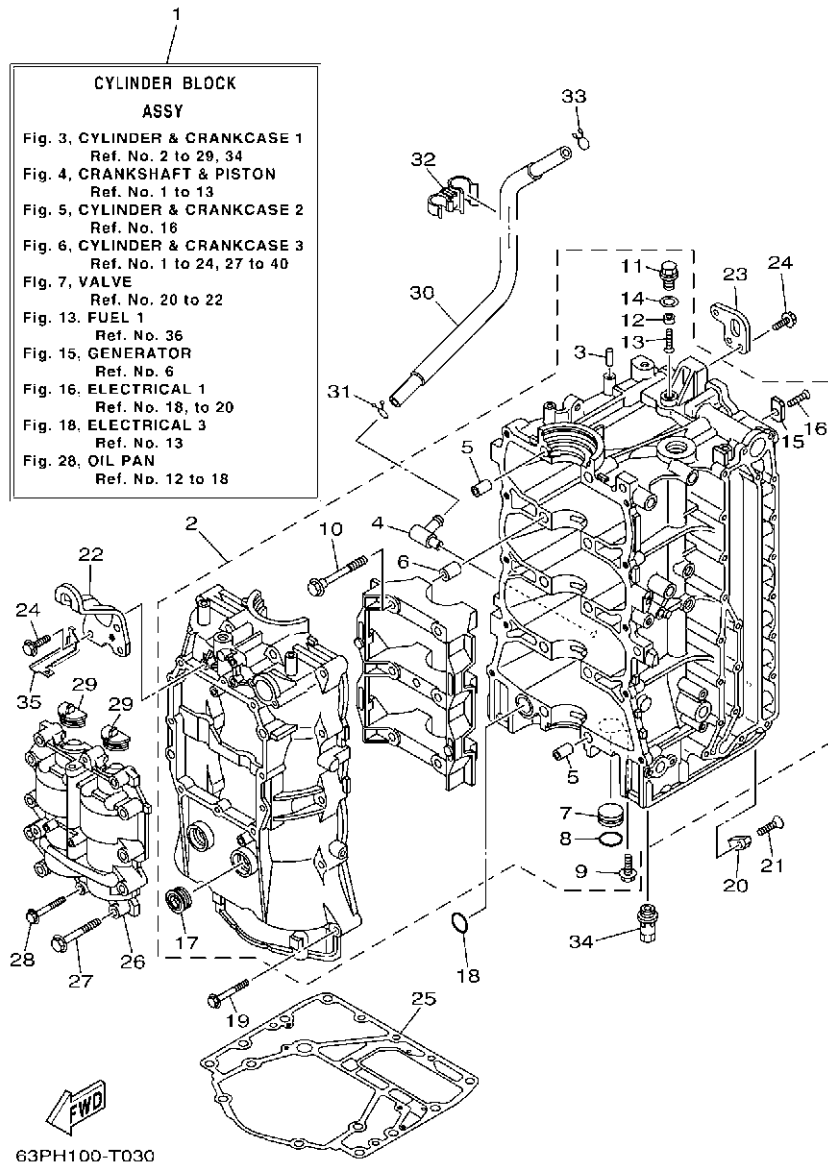


FIG. 3 CYLINDER & CRANKCASE 1

CYLINDRE & CARTER 1

REF. NO.	PART NO. N° PIECES	DESCRIPTION DESCRIPTION	63PH	64PH	REMARKS REMARQUES
1	63P-W009B-13-9S	CYLINDER BLOCK ASSY CYLINDRE GROUPE (ENS.)	1	1	
2	63P-W1510-04-9S	CRANKCASE ASSY CARTER DE MOTEUR COMPLET	1	1	
3	93606-12019	.PIN, DOWEL .GOUPILLE	1	1	
4	63P-11372-00	.NIPPLE, HOSE .RACCORD, TUYAU	1	1	
5	91814-18002	.PIN, DOWEL .GOUJON, D'ASSEMBLAGE	4	4	
6	91814-18002	.PIN, DOWEL .GOUJON, D'ASSEMBLAGE	6	6	
7	90338-25004	.PLUG .PLOT	1	1	
8	93210-25647	.O-RING .JOINT TORIQUE	1	1	
9	90119-06M81	.BOLT, WITH WASHER .BOULON, AVEC RONDELLE	1	1	
10	90105-10071	.BOLT, FLANGE .BOULON, A COLLERETTE	10	10	
11	63P-11197-00	.PLUG, BLIND .PLOT, BORGNE	1	1	
12	63P-11325-21	.ANODE .ANODE	1	1	
13	98780-05016	.SCREW, FLAT HEAD .VIS A TETE FRAISEE	1	1	
14	90430-14115	.GASKET .JOINT	1	1	
15	63P-11325-11	.ANODE .ANODE	4	4	
16	90151-06M02	.SCREW, COUNTERSUNK .VIS, TETE NOYEE	4	4	
17	90340-27129	.PLUG, STRAIGHT SCREW .PLOT, FILETE DROIT	2	2	
18	93210-25552	O-RING JOINT TORIQUE	1	1	
19	90119-08M66	BOLT, WITH WASHER BOULON, AVEC RONDELLE	10	10	
20	63P-11325-01	ANODE ANODE	1	1	
21	90151-06M02	SCREW, COUNTERSUNK VIS, TETE NOYEE	1	1	
22	63P-11119-00	HANGER, ENGINE ANNEAU, LEVAGE	1	1	
23	63P-11119-10	HANGER, ENGINE ANNEAU, LEVAGE	1	1	
24	90119-06MA2	BOLT, WITH WASHER BOULON, AVEC RONDELLE	5	5	
25	63P-11351-03	GASKET, CYLINDER JOINT, D'EMBASE	1	1	
26	63P-11500-04	BALANCER ASSY ARBRE D'EQUILIBRAGE COMPLET	1	1	
27	90119-08M66	BOLT, WITH WASHER BOULON, AVEC RONDELLE	10	10	

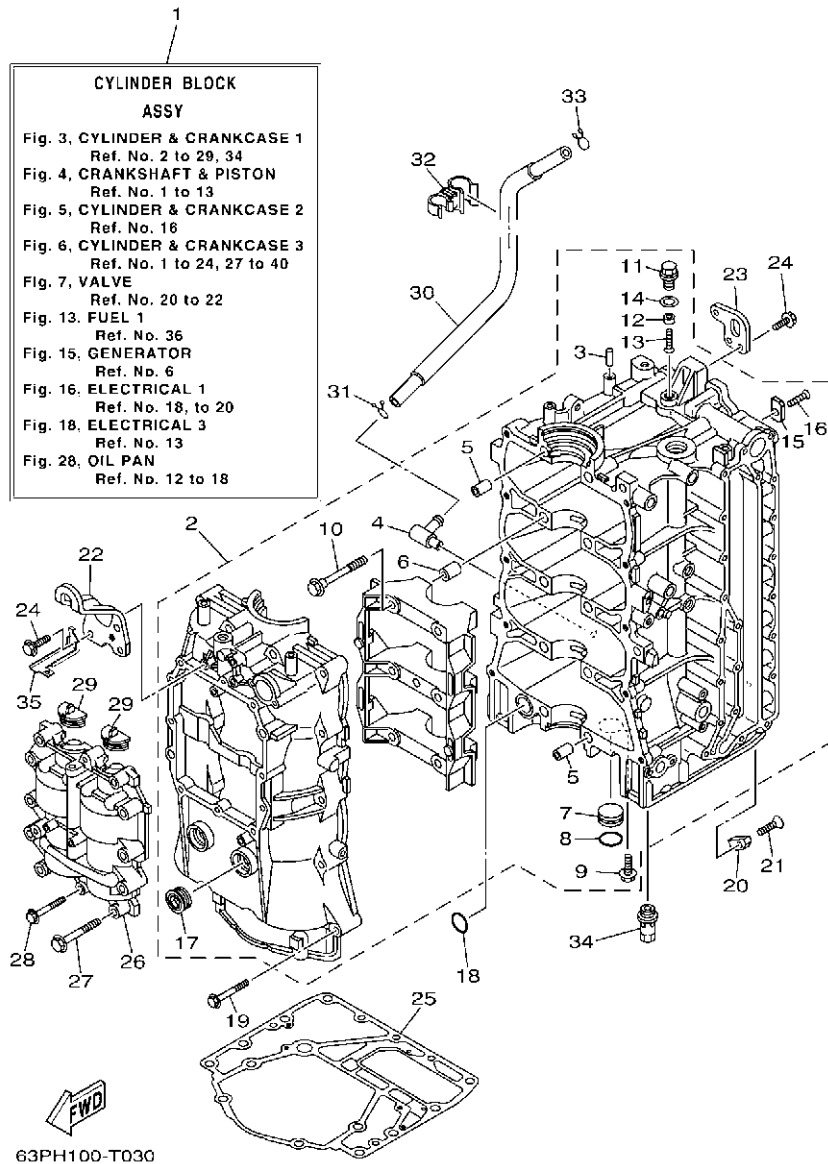
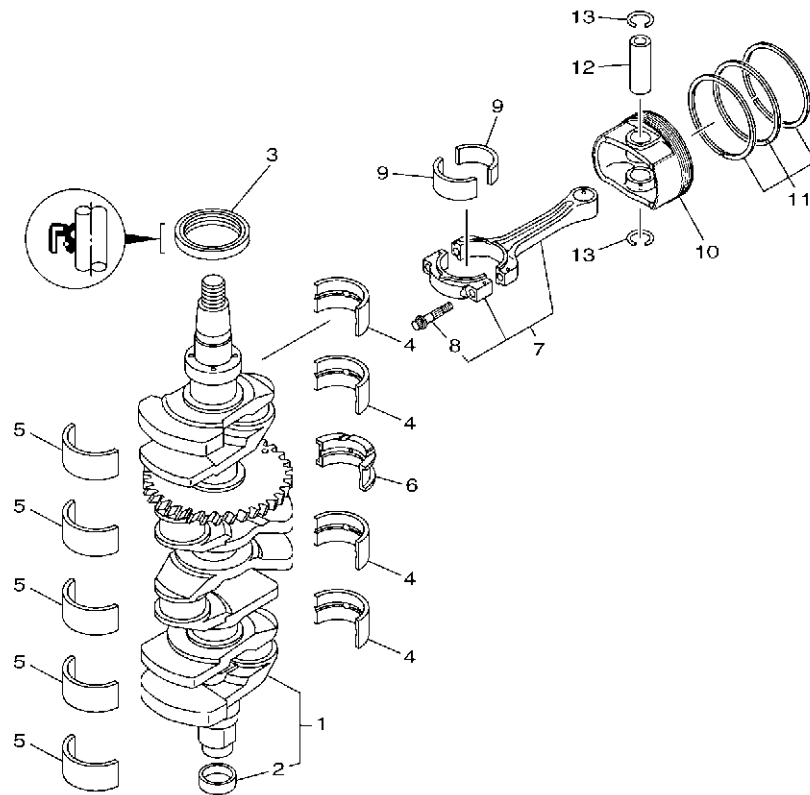


FIG. 3 CYLINDER & CRANKCASE 1

CYLINDRE & CARTER 1

REF. NO.	PART NO. N° PIECES	DESCRIPTION DESCRIPTION	63PH	64PH	REMARKS REMARQUES
28	90119-06MA6	BOLT, WITH WASHER BOULON, AVEC RONDELLE	2	2	
29	63P-11512-00	SEAL, CRANK COVER JOINT, COUV DE VILEBREQUIN	2	2	
30	63P-11377-10	HOSE DURITE	1	1	
31	90467-15M14	CLIP JONC	1	1	
32	90464-15007	CLAMP BRIDE	1	1	
33	90467-15M14	CLIP JONC	1	1	
34	63P-13490-00	RELIEF VALVE ASSY SOUPAPE DE SECURITE COMPLET	1	1	
35	63P-82588-00	PLATE PLAQUE	1	1	




63P9110-L030

FIG. 4 CRANKSHAFT & PISTON

VILEBREQUIN & PISTON

REF. NO.	PART NO. N° PIECES	DESCRIPTION DESCRIPTION	63PH	64PH	REMARKS REMARQUES
1	63P-11410-04	CRANKSHAFT VILEBREQUIN COMPLET	1	1	
2	6CB-11478-00	.COLLAR .COLLERETTE	1	1	
3	93102-60004	OIL SEAL JOINT SPY	1	1	
4	63P-11416-31	PLANE BEARING, CRANKSHAFT 1 COUSSINET DE VILEBREQUIN 1	4	4	UR GREEN
	63P-11416-41	PLANE BEARING, CRANKSHAFT 1 COUSSINET DE VILEBREQUIN 1	4	4	UR RED
	63P-11416-51	PLANE BEARING, CRANKSHAFT 1 COUSSINET DE VILEBREQUIN 1	4	4	UR YELLOW
5	63P-11417-41	PLANE BEARING, CRANKSHAFT 2 COUSSINET DE VILEBREQUIN 2	5	5	UR BROWN
	63P-11417-51	PLANE BEARING, CRANKSHAFT 2 COUSSINET DE VILEBREQUIN 2	5	5	UR GREEN
	63P-11417-61	PLANE BEARING, CRANKSHAFT 2 COUSSINET DE VILEBREQUIN 2	5	5	UR RED
	63P-11417-71	PLANE BEARING, CRANKSHAFT 2 COUSSINET DE VILEBREQUIN 2	5	5	UR YELLOW
	63P-11417-81	PLANE BEARING, CRANKSHAFT 2 COUSSINET DE VILEBREQUIN 2	5	5	UR BLUE
6	63P-11426-31	BEARING, THRUST 1 ROULEMENT DE BUTEE 1	1	1	UR GREEN
	63P-11426-41	BEARING, THRUST 1 ROULEMENT DE BUTEE 1	1	1	UR RED
	63P-11426-51	BEARING, THRUST 1 ROULEMENT DE BUTEE 1	1	1	UR YELLOW
7	63P-W1165-10	CONNECTING ROD ASSY BIELLE COMPLETE	4	4	
8	63P-11654-10	.BOLT, CONNECTING ROD .BOULON, BIELLE	2	2	
9	63P-11656-30	PLANE BEARING, CONNECTING ROD ROULEMENT DE BIELLE	8	8	UR GREEN
	63P-11656-40	PLANE BEARING, CONNECTING ROD ROULEMENT DE BIELLE	8	8	UR BLUE
	63P-11656-50	PLANE BEARING, CONNECTING ROD ROULEMENT DE BIELLE	8	8	UR RED
10	63P-11631-10-93	PISTON (STD) PISTON (STD)	4	4	
	63P-11635-10	PISTON (0.25MM O/S) PISTON (0.25MM O/S)	4	4	AP
11	63P-11603-01	PISTON RING SET (STD) JEU DE SEGMENTS (STD)	4	4	AP
	63P-11604-00	PISTON RING SET (0.25MM O/S) JEU DE SEGMENTS (0.25MM O/S)	4	4	AP
12	63P-11633-10	PIN, PISTON AXE, PISTON	4	4	
13	63P-11634-00	CLIP, PISTON PIN AGRAFE, AXE DE PISTON	8	8	

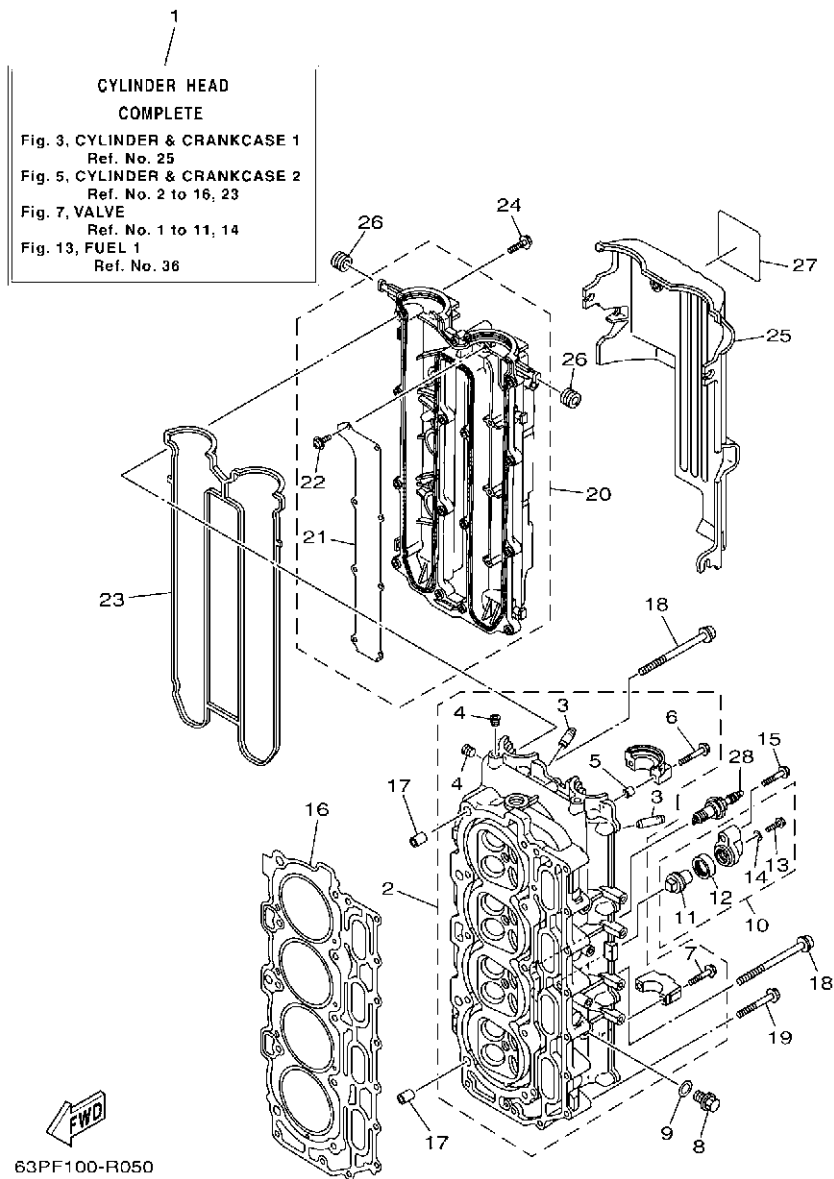


FIG. 5 CYLINDER & CRANKCASE 2

CYLINDRE & CARTER 2

REF. NO.	PART NO. N° PIECES	DESCRIPTION DESCRIPTION	63PH	64PH	REMARKS REMARQUES
1	63P-W009A-05-9S	CYLINDER HEAD COMPLETE CULASSE (ENS.)	1	1	
2	63P-11110-11-9S	CYLINDER HEAD ASSY JEU DE CULASSE	1	1	
3	6DA-11133-10	.GUIDE, VALVE 1 .GUIDE, SOUPAPE 1	16	16	
4	90344-51019	.PLUG, TAPER SCREW .PLOT, FILETE CONIQUE	3	3	
5	91809-08006	.PIN, DOWEL .GOUJON, D'ASSEMBLAGE	4	4	
6	90119-07235	.BOLT/WASHER-CAM CAPS .BOULON, AVEC RONDELLE	4	4	
7	90119-07234	.BOLT, WITH WASHER .BOULON, AVEC RONDELLE	16	16	
8	90340-14M06	PLUG, STRAIGHT SCREW PLOT, FILETE DROIT	2	2	
9	90430-14115	GASKET JOINT	2	2	
10	69J-11301-00	ANODE COVER ASSY COUVERCLE ANODE (ENS.)	2	2	
11	67F-11325-01	.ANODE .ANODE	1	1	
12	67F-11328-00	.GROMMET, ANODE .PASSE-FIL	1	1	
13	90105-06M07	.BOLT, FLANGE .BOULON, A COLLERETTE	1	1	
14	90430-06M03	.GASKET .JOINT	1	1	
15	97E75-08540	BOLT, HEXAGON W/W DEEP RECESS VIS HEXAGONAL AVC RONDELLE	2	2	
16	63P-11181-00	GASKET, CYLINDER HEAD 1 JOINT, DE CULASSE 1	1	1	
17	99530-14016	PIN, DOWEL GOUJON, D'ASSEMBLAGE	2	2	
18	90155-10010	SCREW, FLAT FILLISTER VIS, TETE OVALE PLATE	10	10	
19	90119-08M91	BOLT, WITH WASHER BOULON, AVEC RONDELLE	10	10	
20	63P-11191-00-9S	COVER, CYLINDER HEAD 1 COUVERCLE, CULASSE 1	1	1	
21	63P-11135-00	.PLATE, BREATHER 3 .PLAQUE, RENIFLARD 3	1	1	
22	97607-04208	.SCREW, WITH WASHER .VIS, AVEC RONDELLE	8	8	
23	63P-11193-00	GASKET, HEAD COVER 1 JOINT, COUVERCLE DE CULASSE 1	1	1	
24	97E95-06530	BOLT, HEXAGON W/W DEEP RECESS VIS HEXAGONAL AVC RONDELLE	13	13	
25	63P-11192-01	COVER, CYLINDER HEAD 2 COUVERCLE, CULASSE 2	1	1	
26	90480-12314	GROMMET PASSE-FIL	5	5	
27	63P-83626-00	MARK 6 MARK 6	1	1	

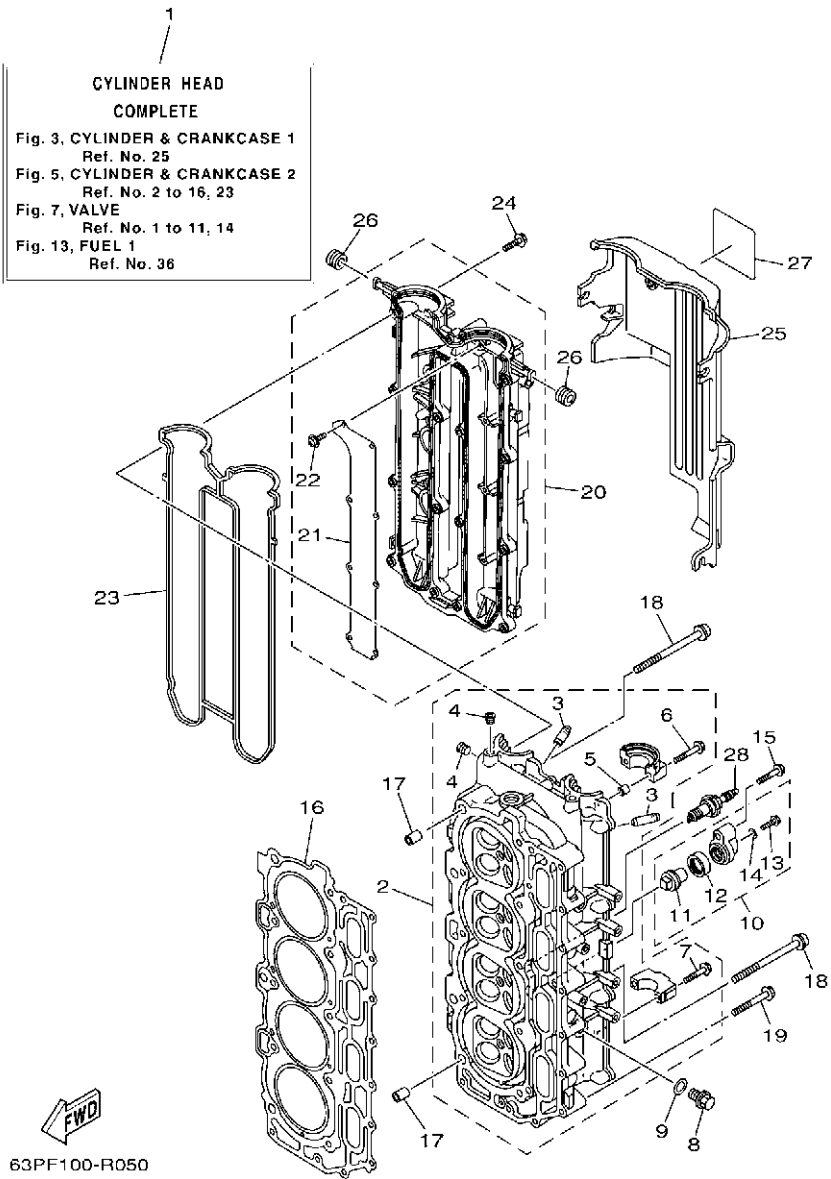


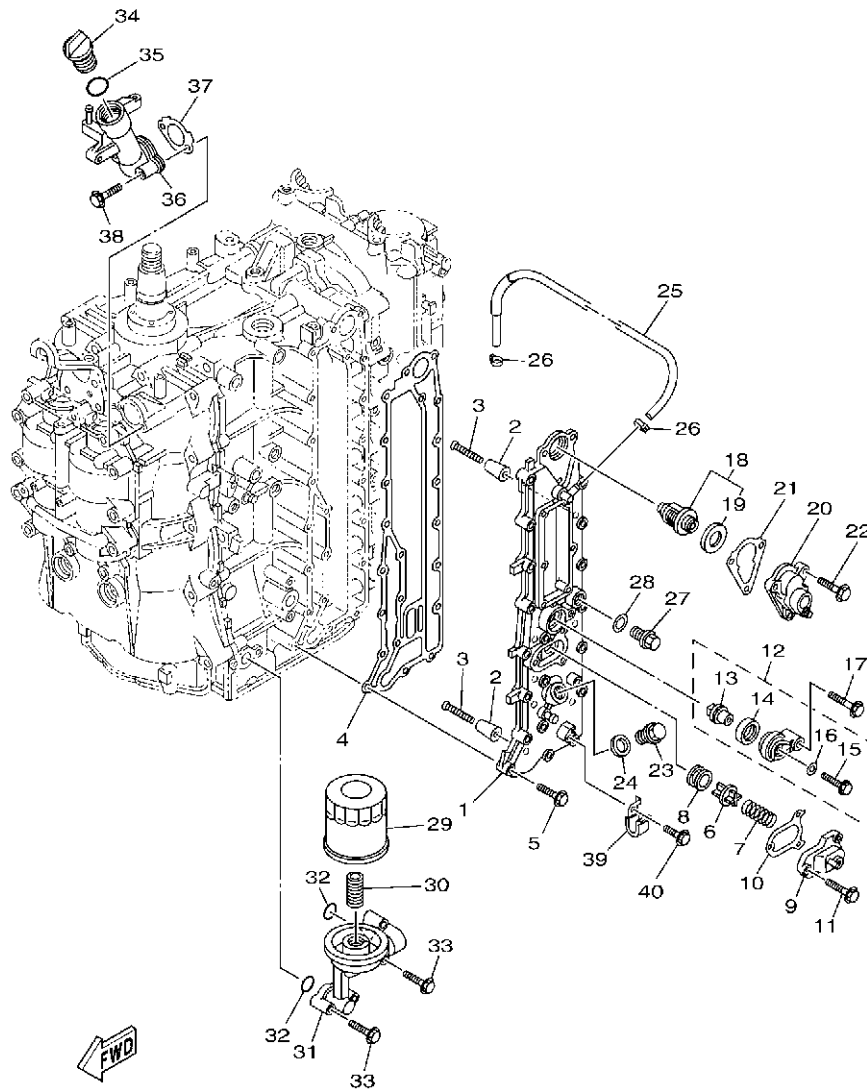
FIG. 5 CYLINDER & CRANKCASE 2

CYLINDRE & CARTER 2

REF. NO.	PART NO. N° PIECES	DESCRIPTION DESCRIPTION	63PH	64PH		REMARKS REMARQUES
28	94702-00391	PLUG, SPARK (NGK LFR5A-11) BOUGIE D'ALLUMAGE(NGK LFR5A-11)	4	4		

FIG. 6 CYLINDER & CRANKCASE 3

CYLINDRE & CARTER 3

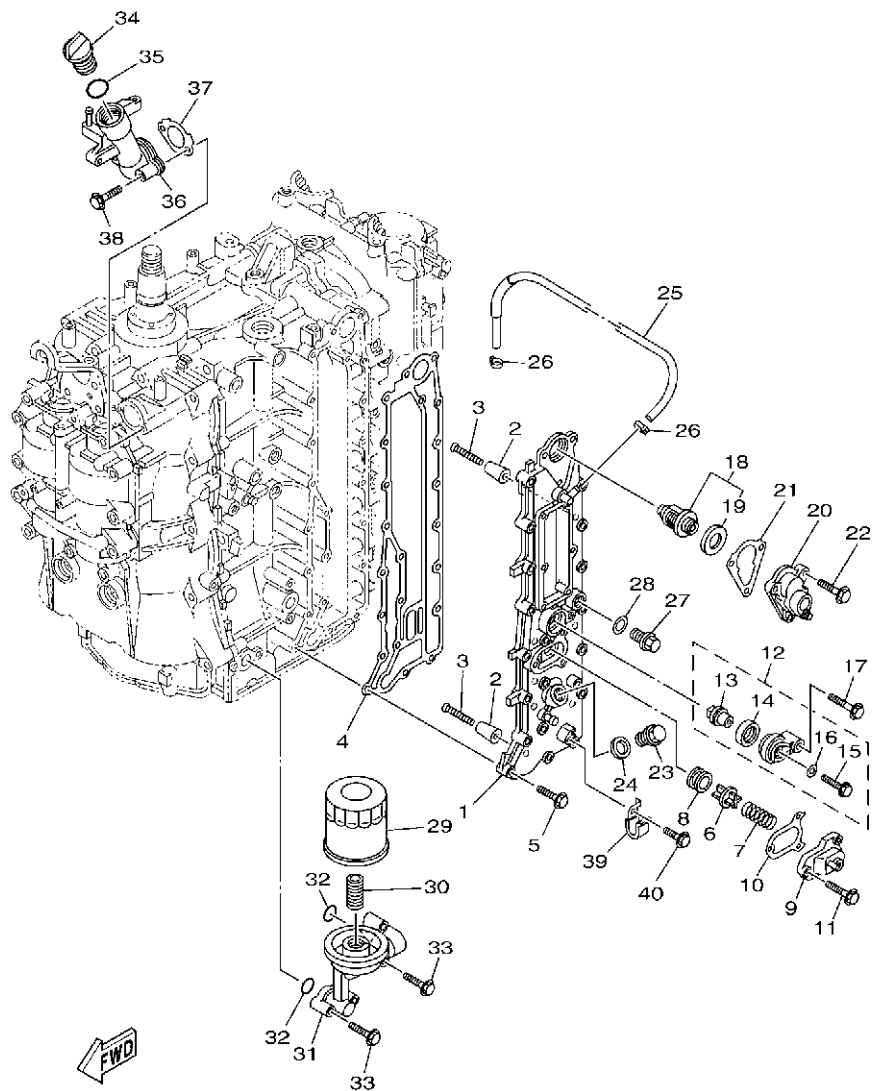


63PG100-S060

REF. NO.	PART NO. N° PIECES	DESCRIPTION DESCRIPTION	63PH	64PH	REMARKS REMARQUES
1	63P-41113-04-9S	OUTER COVER, EXHAUST COUVERCLE, ECHAPPEMENT	1	1	
2	68T-11325-00	ANODE ANODE	8	8	
3	90151-05M05	SCREW, COUNTERSUNK VIS, TETE NOYEE	8	8	
4	63P-41114-A3	GASKET, EXHAUST OUTER COVER JOINT, COUVERCLE D'ECHAPPEMENT	1	1	
5	90119-06MA4	BOLT, WITH WASHER BOULON, AVEC RONDELLE	19	19	
6	6G5-12416-00	VALVE, PRESSURE CONTROL SOUPAPE DE CONTROLEUR PRESS	1	1	
7	90501-16M11	SPRING, COMPRESSION RESSORT, COMPRESSION	1	1	
8	90480-20M05	GROMMET PASSE-FIL	1	1	
9	67F-1246A-A0-9S	COVER 1 COUVERCLE 1	1	1	
10	67F-12435-A0	GASKET JOINT	1	1	
11	90119-06MA2	BOLT, WITH WASHER BOULON, AVEC RONDELLE	3	3	
12	69J-11301-00	ANODE COVER ASSY COUVERCLE ANODE (ENS.)	1	1	
13	67F-11325-01	.ANODE .ANODE	1	1	
14	67F-11328-00	.GROMMET, ANODE .PASSE-FIL	1	1	
15	90105-06M07	.BOLT, FLANGE .BOULON, A COLLERETTE	1	1	
16	90430-06M03	.GASKET .JOINT	1	1	
17	97E75-08540	BOLT, HEXAGON W/W DEEP RECESS VIS HEXAGONAL AVC RONDELLE	1	1	
18	67F-12411-01	THERMOSTAT THERMOSTAT	1	1	
19	67F-12412-00	.SEAL, THERMOSTAT .JOINT, THERMOSTAT	1	1	
20	63P-1240H-01-9S	COVER ASSEMBLY BOITIER DISTRIBUTEUR COMPLET	1	1	
21	63P-12414-00	GASKET, COVER JOINT, COUVERCLE	1	1	
22	90119-06MA4	BOLT, WITH WASHER BOULON, AVEC RONDELLE	3	3	
23	90340-18M09	PLUG, STRAIGHT SCREW PLOT, FILETE DROIT	1	1	
24	90201-186F1	WASHER, PLATE RONDELLE, PLATE	1	1	
25	63P-1243A-00	HOSE 1 DURITE 1	1	1	
26	90465-11M10	CLAMP BRIDE	2	2	
27	90340-14M06	PLUG, STRAIGHT SCREW PLOT, FILETE DROIT	1	1	

FIG. 6 CYLINDER & CRANKCASE 3

CYLINDRE & CARTER 3



63PG100-S060

REF. NO.	PART NO. N° PIECES	DESCRIPTION DESCRIPTION	63PH	64PH	REMARKS REMARQUES
28	90430-14115	GASKET JOINT	1	1	
29	69J-13440-03	ELEMENT ASSY, OIL CLEANER ELEMENT, FILTRE A HUILE	1	1	
30	6S5-12858-00	BOLT, UNION BOULON, RACCORD	1	1	
31	63P-13446-01	CONNECTOR CONNECTEUR	1	1	
32	93210-19MJ1	O-RING JOINT TORIQUE	2	2	
33	97E75-06540	BOLT, HEXAGON W/W DEEP RECESS VIS HEXAGONAL AVC RONDELLE	4	4	
34	6G8-15363-00	PLUG, OIL PLOT, HUILE	1	1	
35	93210-24M79	O-RING JOINT TORIQUE	1	1	
36	63P-15319-00-9S	JOINT JOINT	1	1	
37	63P-15364-A0	GASKET, OIL PLUG JOINT, PLOT D'HUILE	1	1	
38	97E95-06545	BOLT, HEXAGON W/W DEEP RECESS VIS HEXAGONAL AVC RONDELLE	2	2	
39	90462-06013	CLAMP BRIDE	1	1	
40	97E95-06512	BOLT, HEXAGON W/W DEEP RECESS VIS HEXAGONAL AVC RONDELLE	1	1	

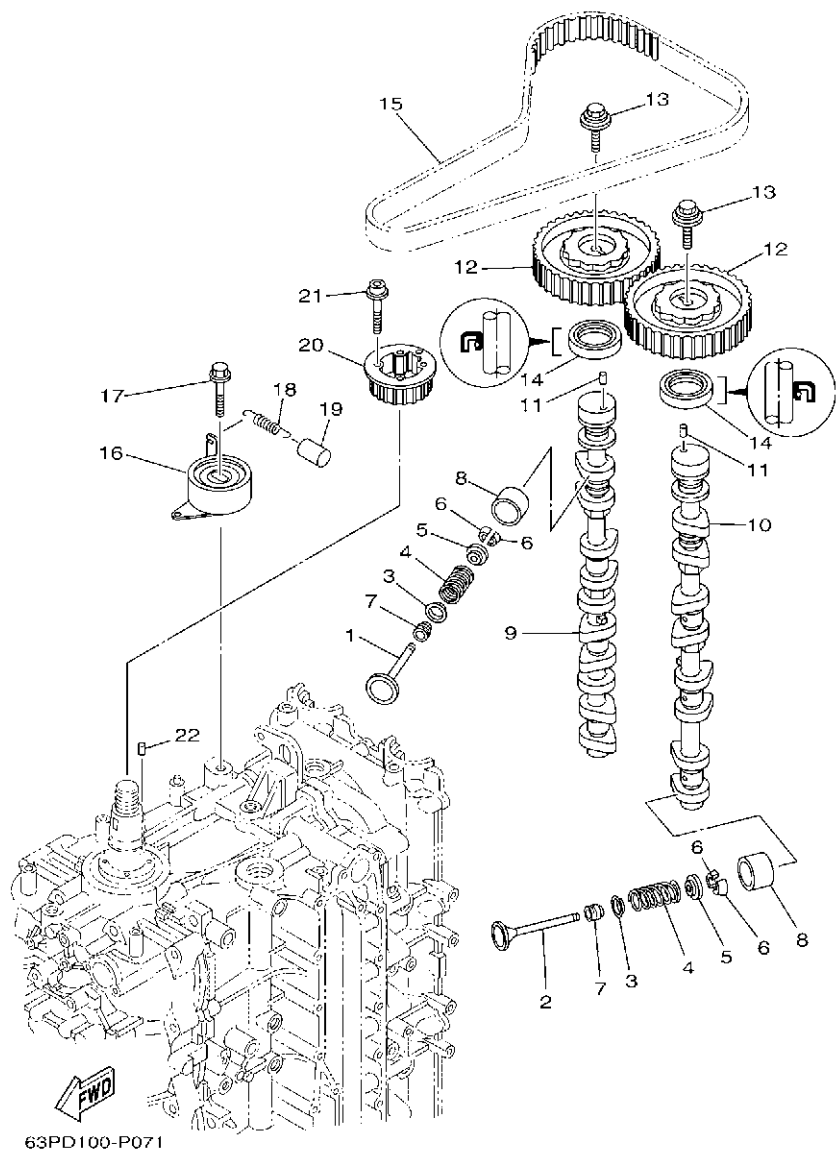


FIG. 7 VALVE

SOUPAPE

REF. NO.	PART NO. N° PIECES	DESCRIPTION DESCRIPTION	63PH	64PH	REMARKS REMARQUES
1	63P-12111-00	VALVE, INTAKE SOUPAPE, ADMISSION	8	8	
2	63P-12121-00	VALVE, EXHAUST SOUPAPE, ECHAPPEMENT	8	8	
3	K0F-A3743-00	SEAT, VALVE SPRING SIEGE, RESSORT DE SOUPAPE	16	16	
4	6CB-12113-00	SPRING, VALVE INNER RESSORT DE SOUPAPE, INTERNE	16	16	
5	K0F-A3741-00	RETAINER, VALVE SPRING BUTEE DE RESSORT DE SOUPAPA	16	16	
6	K0F-A3742-00	LOCK, VALVE SPRING RETAINER FRAISE, SOUPAPE	32	32	
7	51Y-12119-00	SEAL, VALVE STEM JOINT, QUEUE DE SOUPAPE	16	16	
8	K0F-A3751-00	LIFTER, VALVE (3.000) LEVE-SOUPAPE (3.000)	16	16	UR
	K0F-A3751-10	LIFTER, VALVE (3.025) LEVE-SOUPAPE (3.025)	16	16	UR
	K0F-A3751-20	LIFTER, VALVE (3.050) LEVE-SOUPAPE (3.050)	16	16	UR
	K0F-A3751-30	LIFTER, VALVE (3.075) LEVE-SOUPAPE (3.075)	16	16	UR
	K0F-A3751-40	LIFTER, VALVE (3.100) LEVE-SOUPAPE (3.100)	16	16	UR
	K0F-A3751-50	LIFTER, VALVE (3.122) LEVE-SOUPAPE (3.122)	16	16	UR
	K0F-A3751-60	LIFTER, VALVE (3.142) LEVE-SOUPAPE (3.142)	16	16	UR
	K0F-A3751-70	LIFTER, VALVE (3.162) LEVE-SOUPAPE (3.162)	16	16	UR
	K0F-A3751-80	LIFTER, VALVE (3.182) LEVE-SOUPAPE (3.182)	16	16	UR
	K0F-A3751-90	LIFTER, VALVE (3.202) LEVE-SOUPAPE (3.202)	16	16	UR
	K0F-A3751-A0	LIFTER, VALVE (3.222) LEVE-SOUPAPE (3.222)	16	16	UR
	K0F-A3751-B0	LIFTER, VALVE (3.242) LEVE-SOUPAPE (3.242)	16	16	UR
	K0F-A3751-C0	LIFTER, VALVE (3.262) LEVE-SOUPAPE (3.262)	16	16	UR
	K0F-A3751-D0	LIFTER, VALVE (3.282) LEVE-SOUPAPE (3.282)	16	16	UR
	K0F-A3751-E0	LIFTER, VALVE (3.302) LEVE-SOUPAPE (3.302)	16	16	UR
	K0F-A3751-F0	LIFTER, VALVE (3.322) LEVE-SOUPAPE (3.322)	16	16	UR
	K0F-A3751-G0	LIFTER, VALVE (3.342) LEVE-SOUPAPE (3.342)	16	16	UR
	K0F-A3751-H0	LIFTER, VALVE (3.362) LEVE-SOUPAPE (3.362)	16	16	UR
	K0F-A3751-J0	LIFTER, VALVE (3.382) LEVE-SOUPAPE (3.382)	16	16	UR
	K0F-A3751-K0	LIFTER, VALVE (3.402) LEVE-SOUPAPE (3.402)	16	16	UR

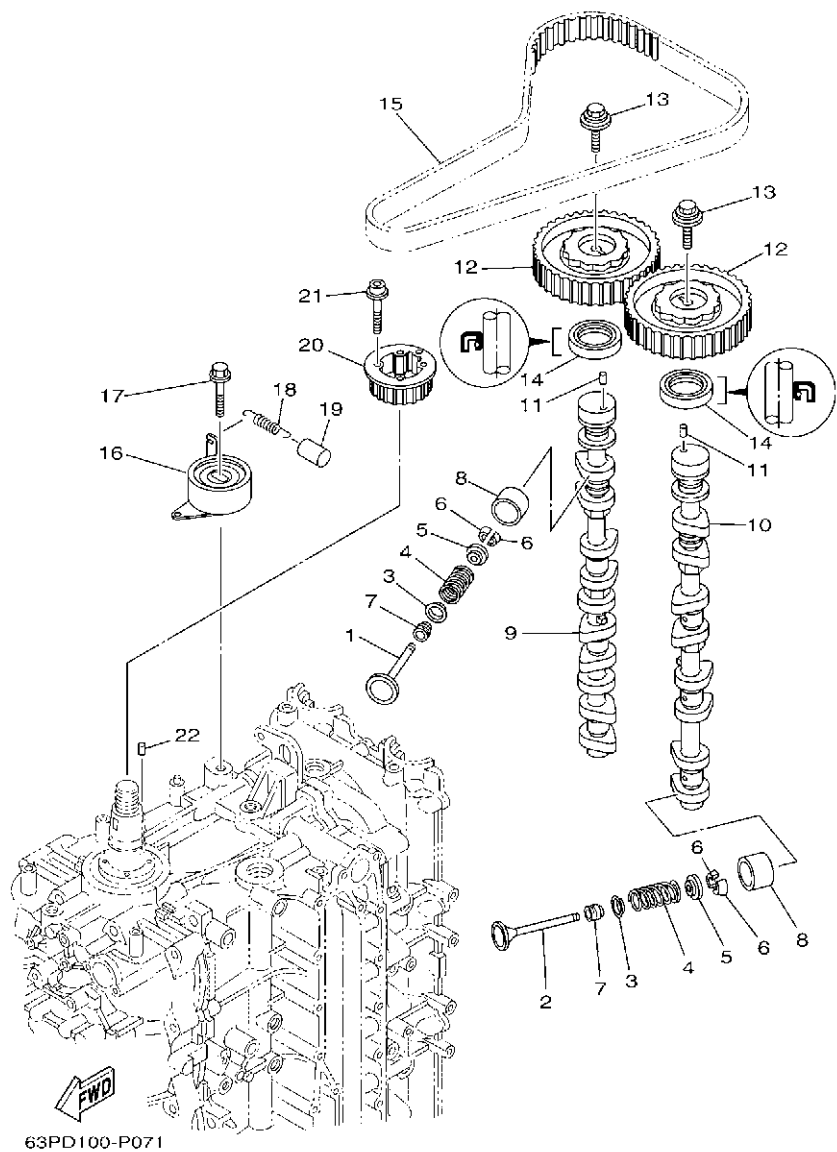


FIG. 7 VALVE

SOUPAPE

REF. NO.	PART NO. N° PIECES	DESCRIPTION DESCRIPTION	63PH	64PH	REMARKS REMARQUES
8	K0F-A3751-L0	LIFTER, VALVE (3.422) LEVE-SOUPAPE (3.422)	16	16	UR
	K0F-A3751-M0	LIFTER, VALVE (3.442) LEVE-SOUPAPE (3.442)	16	16	UR
	K0F-A3751-N0	LIFTER, VALVE (3.462) LEVE-SOUPAPE (3.462)	16	16	UR
	K0F-A3751-P0	LIFTER, VALVE (3.482) LEVE-SOUPAPE (3.482)	16	16	UR
	K0F-A3751-R0	LIFTER, VALVE (3.502) LEVE-SOUPAPE (3.502)	16	16	UR
	K0F-A3751-S0	LIFTER, VALVE (3.522) LEVE-SOUPAPE (3.522)	16	16	UR
	K0F-A3751-T0	LIFTER, VALVE (3.542) LEVE-SOUPAPE (3.542)	16	16	UR
	K0F-A3753-00	LIFTER, VALVE (3.562) LEVE-SOUPAPE (3.562)	16	16	UR
	K0F-A3753-10	LIFTER, VALVE (3.582) LEVE-SOUPAPE (3.582)	16	16	UR
	K0F-A3753-20	LIFTER, VALVE (3.602) LEVE-SOUPAPE (3.602)	16	16	UR
	K0F-A3753-30	LIFTER, VALVE (3.625) LEVE-SOUPAPE (3.625)	16	16	UR
	K0F-A3753-40	LIFTER, VALVE (3.650) LEVE-SOUPAPE (3.650)	16	16	UR
	K0F-A3753-50	LIFTER, VALVE (3.675) LEVE-SOUPAPE (3.675)	16	16	UR
	K0F-A3753-60	LIFTER, VALVE (3.700) LEVE-SOUPAPE (3.700)	16	16	UR
	K0F-A3753-70	LIFTER, VALVE (3.725) LEVE-SOUPAPE (3.725)	16	16	UR
9	63P-12171-10	CAMSHAFT 1 ARBRE A CAMES 1	1	1	
10	63P-12181-10	CAMSHAFT 2 ARBRE A CAMES 2	1	1	
11	93605-10108	PIN, DOWEL AXE	2	2	
12	63P-11537-00	GEAR, DRIVEN PIGNON SECONDAIRE	2	2	
13	90119-10050	BOLT, WITH WASHER BOULON, AVEC RONDELLE	2	2	
14	93102-38008	OIL SEAL JOINT SPY	2	2	
15	63P-46241-00	BELT COURROIE TRAPEZOIDALE	1	1	
16	63P-11590-10	TENSIONER ASSY TENDEUR (ENS.)	1	1	
17	90119-10M07	BOLT, WITH WASHER BOULON, AVEC RONDELLE	1	1	
18	90506-16M39	SPRING, TENSION RESSORT, TENSION	1	1	
19	90445-15M03	HOSE (L23) DURITE (L23)	1	1	
20	63P-11536-01	GEAR, DRIVE ENGRENAGE, MENANT	1	1	

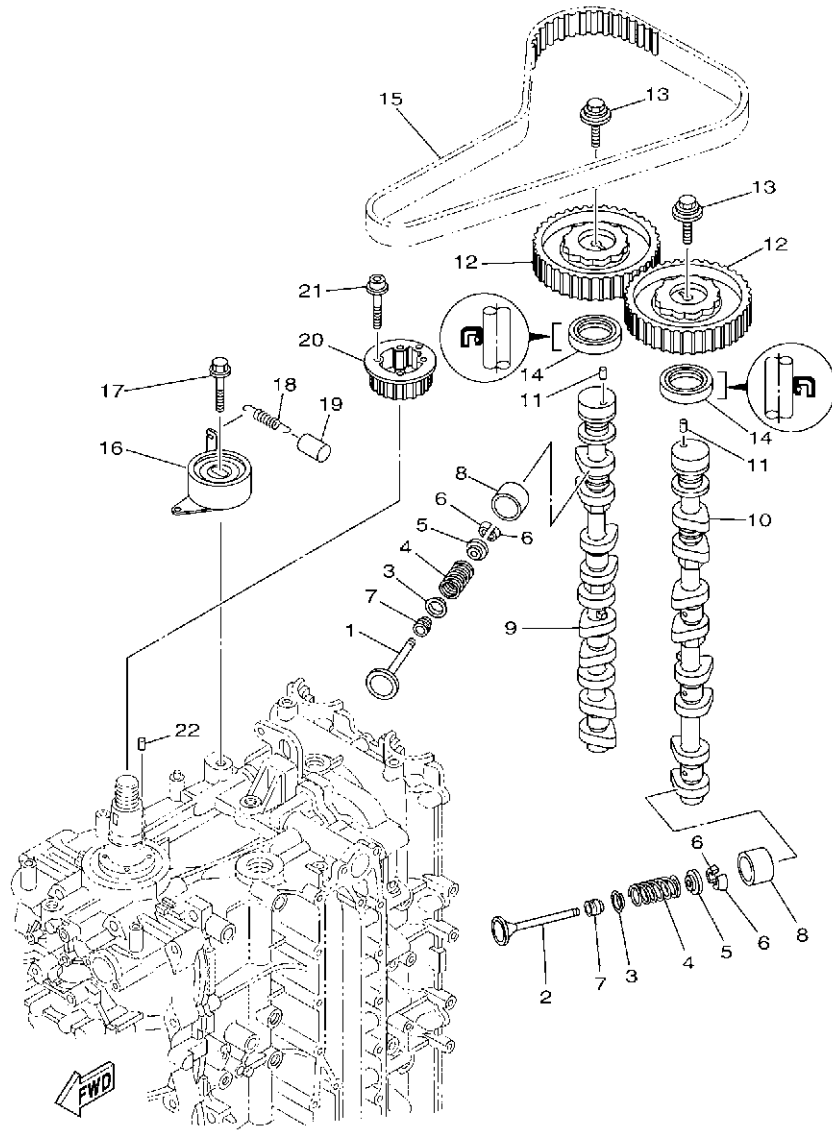


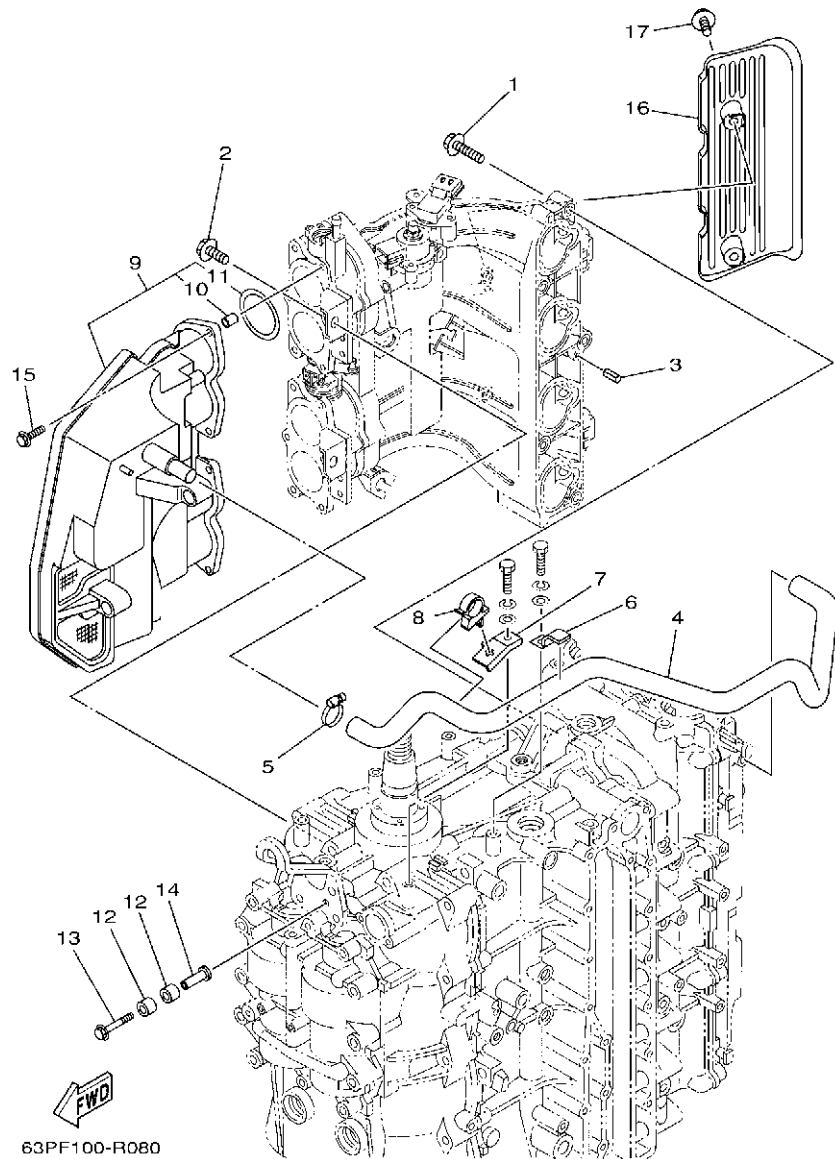
FIG. 7 VALVE

SOUPAPE

REF. NO.	PART NO. N° PIECES	DESCRIPTION DESCRIPTION	63PH	64PH	REMARKS REMARQUES
21	90110-05020	BOLT, HEXAGON SOCKET HEAD BOULON, TETE HEXAGONALE CREUSE	4	4	
22	93605-17002	PIN, DOWEL AXE	1	1	

FIG. 8 INTAKE 1

ADMISSION 1

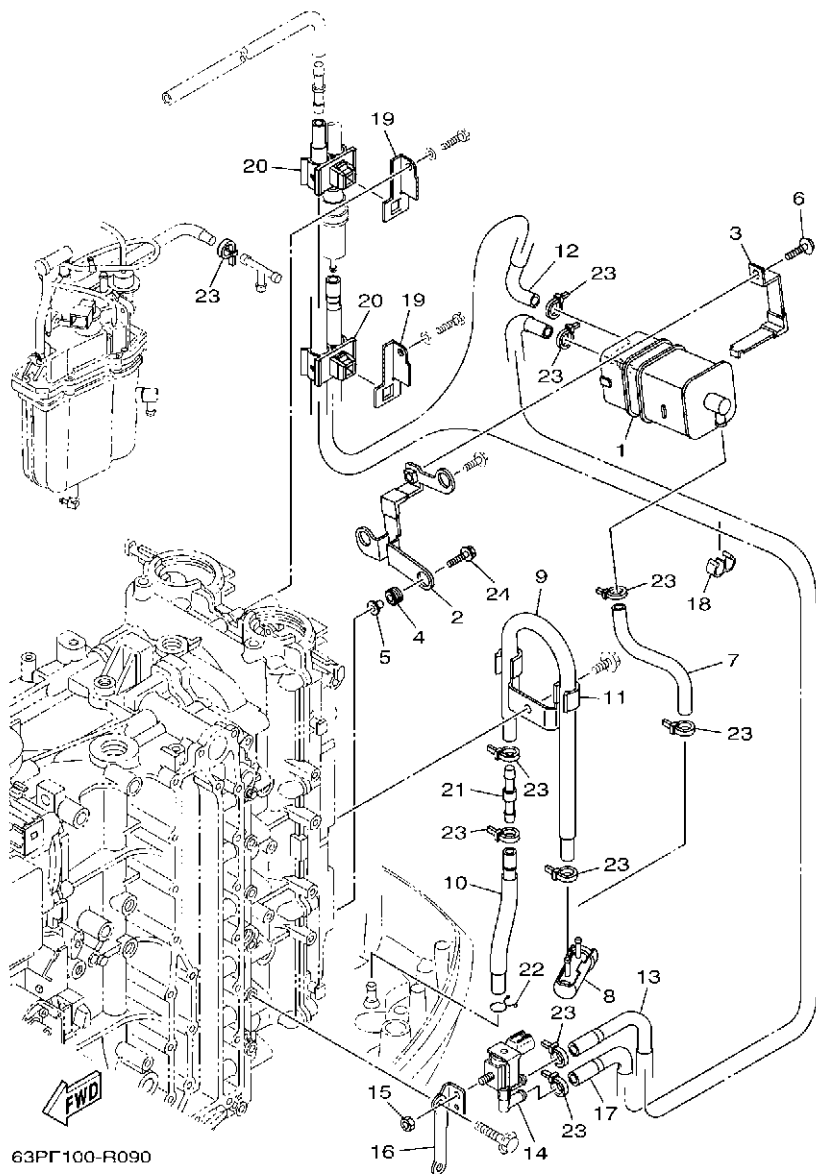


REF. NO.	PART NO. N° PIECES	DESCRIPTION DESCRIPTION	63PH	64PH	REMARKS REMARQUES
1	97E75-08540	BOLT, HEXAGON W/W DEEP RECESS VIS HEXAGONAL AVC RONDELLE	5	5	
2	97513-08520	BOLT, WITH WASHER VIS HEXAGONAL AVC RONDELLE	2	2	
3	91690-50014	PIN, SPRING AGRAFFE	2	2	
4	63P-15373-00	PIPE, BREATHER DURITE DE RENIFLARD	1	1	
5	90450-22M14	HOSE CLAMP ASSY BRIDE, DE DURITE	1	1	
6	90462-10023	CLAMP BRIDE	1	1	
7	63P-15378-00	HOLDER SUPPORT	1	1	
8	90464-20006	CLAMP BRIDE	1	1	
9	63P-14440-00	SILENCER ASSY, INTAKE SIENCIEUX D'ADMISSION	1	1	
10	63P-14449-00	.COLLAR .COLLERETTE	6	6	
11	63P-14457-00	.SEAL .JOINT	4	4	
12	90386-08001	BUSH DOUILLE	4	4	
13	90119-06076	BOLT, WITH WASHER BOULON, AVEC RONDELLE	2	2	
14	90387-06280	COLLAR COLLERETTE	2	2	
15	90119-06M82	BOLT, WITH WASHER BOULON, AVEC RONDELLE	6	6	
16	63P-13564-00	COVER, MANIFOLD COUVERCLE, TUBULURE	1	1	
17	95D95-06016	BOLT, FLANGE DEEP RECESS BOULON FIXATION	2	2	

FIG. 9 INTAKE 2

ADMISSION 2

REF. NO.	PART NO. N° PIECES	DESCRIPTION DESCRIPTION	63PH	64PH	REMARKS REMARQUES
1	6P2-24170-00	CANISTER ASSY BANDE, RASERVOIR A ESSENCE	1	1	
2	63P-2134X-00	BRACKET, CANISTER SUPPORT	1	1	
3	63P-2419A-01	HOLDER SUPPORT	1	1	
4	90480-10M23	GROMMET PASSE-FIL	3	3	
5	90387-06289	COLLAR COLLERETTE	3	3	
6	97E95-06516	BOLT, HEXAGON W/W DEEP RECESS VIS HEXAGONAL AVC RONDELLE	1	1	
7	64P-24313-00	PIPE 3 DURITE 3	1	1	
8	69J-24502-00	FILTER, FUEL FILTRE	1	1	
9	64P-24312-00	PIPE 2 DURITE 2	1	1	
10	64P-24311-10	PIPE, FUEL 1 DURITE A ESSENCE	1	1	
11	63P-24367-01	CLAMP, FUEL PIPE 2 COLLIER DE DURITE A ESSENCE	1	1	
12	64P-24315-00	PIPE 5 DURITE 5	1	1	
13	64P-24316-10	PIPE 6 DURITE 6	1	1	
14	6C5-86120-00	SOLENOID VALVE ASSY SOLENOIDE	1	1	
15	95380-06600	NUT, HEXAGON ECROU	1	1	
16	63P-81845-20	PLATE PLAQUE	1	1	
17	64P-24314-10	PIPE 4 DURITE 4	1	1	
18	90464-09M31	CLAMP BRIDE	1	1	
19	63P-24364-01	STAY SUPPORT	2	2	
20	90464-11012	CLAMP BRIDE	2	2	
21	6E5-24379-00	PIPE, JOINT 4 DURITE RACCORDEMENT 4	1	1	
22	90467-09M09	CLIP JONC	1	1	
23	90465-11M10	CLAMP BRIDE	10	10	
24	90119-06135	BOLT, WITH WASHER BOULON, AVEC RONDELLE	2	2	



63PF100-R090

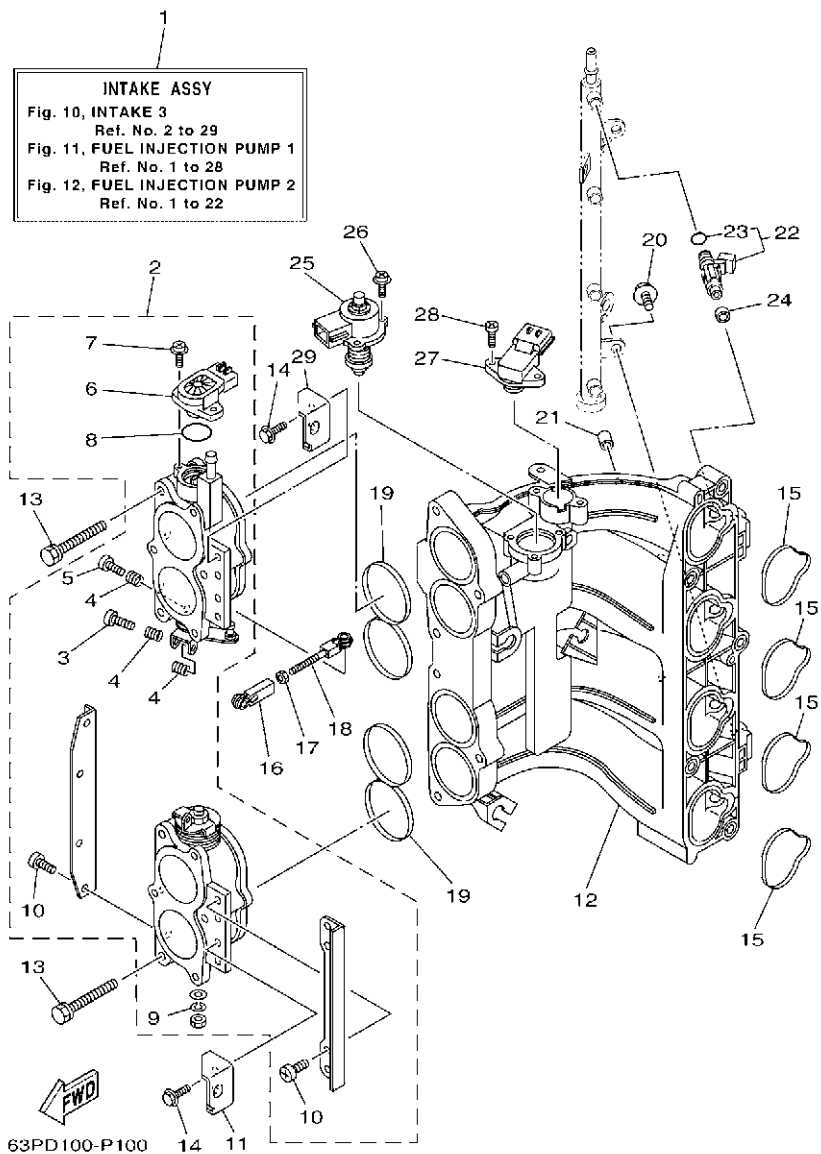


FIG. 10 INTAKE 3

ADMISSION 3

REF. NO.	PART NO. N° PIECES	DESCRIPTION DESCRIPTION	63PH	64PH	REMARKS REMARQUES
1	63P-14200-81	INTAKE ASSY ADMISSION (ENS.)	1	1	
2	63P-13751-20	BODY, THROTTLE 1 CARTER 1	1	1	
3	69J-14321-00	.SCREW, THROTTLE .VIS, ACCELERATEUR	1	1	
4	68V-14331-00	.SPRING, THROTTLE VALVE .RESSORT, BOISSEAU	3	3	
5	68V-14323-00	.SCREW, AIR ADJUSTING .VIS DE DOSEUR D'AIR	1	1	
6	6S1-85885-00	.THROTTLE SENSOR ASSY .SENSITOMETRE (ENS.)	1	1	
7	68V-81145-01	.SCREW 1 .VIS 1	2	2	
8	68V-8182L-00	.O-RING 1 .JOINT TORIQUE 1	1	1	
9	68V-14356-00	.WASHER, SPRING .RONDELLE	1	1	
10	68V-14565-00	.SCREW .VIS	8	8	
11	63P-14291-00	BRACKET 1 SUPPORT 1	1	1	
12	63P-13641-10	MANIFOLD, INTAKE 1 TUBULURE, ADMISSION 1	1	1	
13	63P-14496-00	BOLT BOULON	6	6	
14	97E95-06516	BOLT, HEXAGON W/W DEEP RECESS VIS HEXAGONAL AVC RONDELLE	4	4	
15	63P-13645-00	GASKET, MANIFOLD 1 JOINT, TUBULURE 1	4	4	
16	6H4-41237-00	JOINT, LINK RACCORD	1	1	
17	95380-05700	NUT ECROU	1	1	
18	682-41238-01	JOINT, LINK RACCORD	1	1	
19	63P-13557-00	GASKET JOINT	2	2	
20	6P2-14446-00	BOLT BOULON	2	2	
21	63P-13643-00	COVER, MANIFOLD COUVERCLE, TUBULURE	4	4	
22	63P-13761-01	INJECTOR INJECTEUR	4	4	
23	68V-1416A-00	.O-RING .JOINT TORIQUE	1	1	
24	68V-13766-00	RUBBER, INJECTOR RONDELLE CAOUTCHOUC	4	4	
25	63P-1312A-01	VALVE, CONTROL SOUPAPE, CONTROL	1	1	
26	68V-81146-01	SCREW 2 VIS 2	3	3	
27	63P-82380-00	SENSOR, PRESSURE SONDE DE PRESSION	1	1	

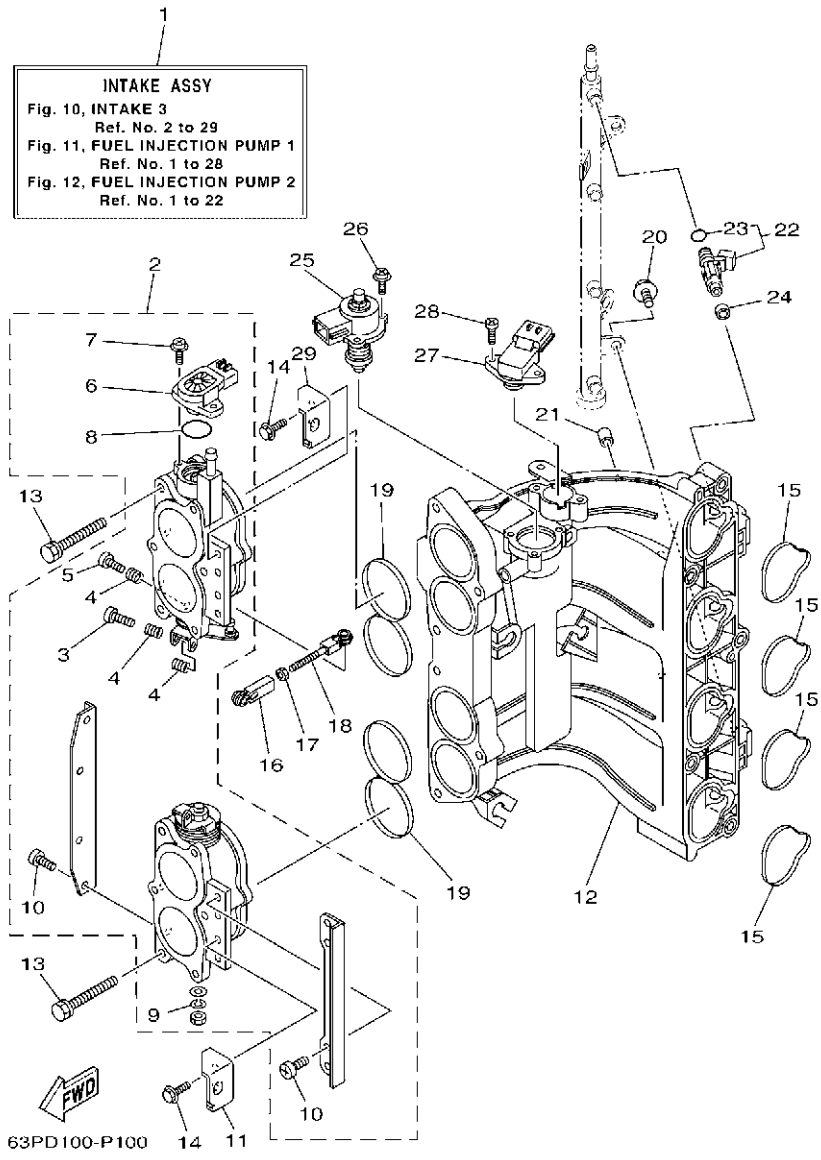


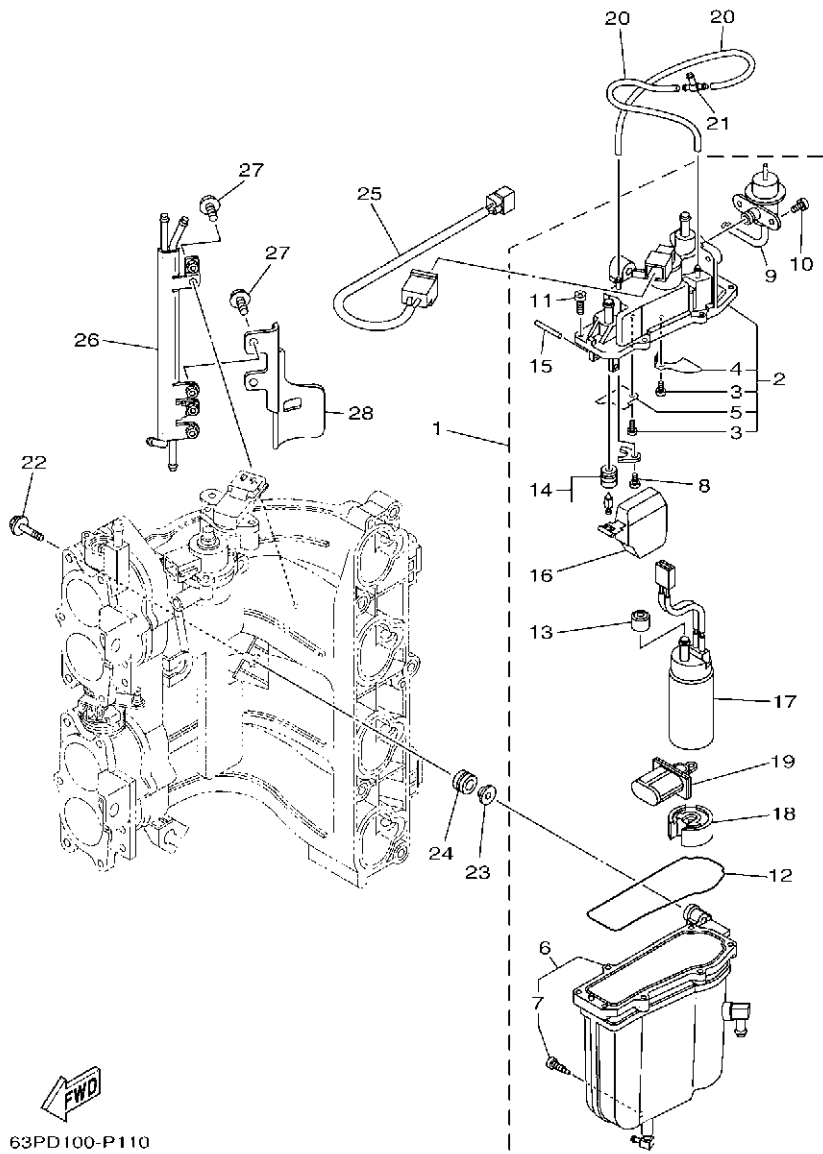
FIG. 10 INTAKE 3

ADMISSION 3

REF. NO.	PART NO. N° PIECES	DESCRIPTION DESCRIPTION	63PH	64PH	REMARKS REMARQUES	
28	68V-81147-00	SCREW 3 VIS 3	2	2		
29	63P-14292-00	BRACKET 2 SUPPORT 2	1	1		
<hr/>						
<hr/>						
<hr/>						
<hr/>						
<hr/>						
<hr/>						
<hr/>						
<hr/>						
<hr/>						
<hr/>						
<hr/>						
<hr/>						
<hr/>						
<hr/>						
<hr/>						

FIG. 11 FUEL INJECTION PUMP 1

POMPE A INJECTEUR 1

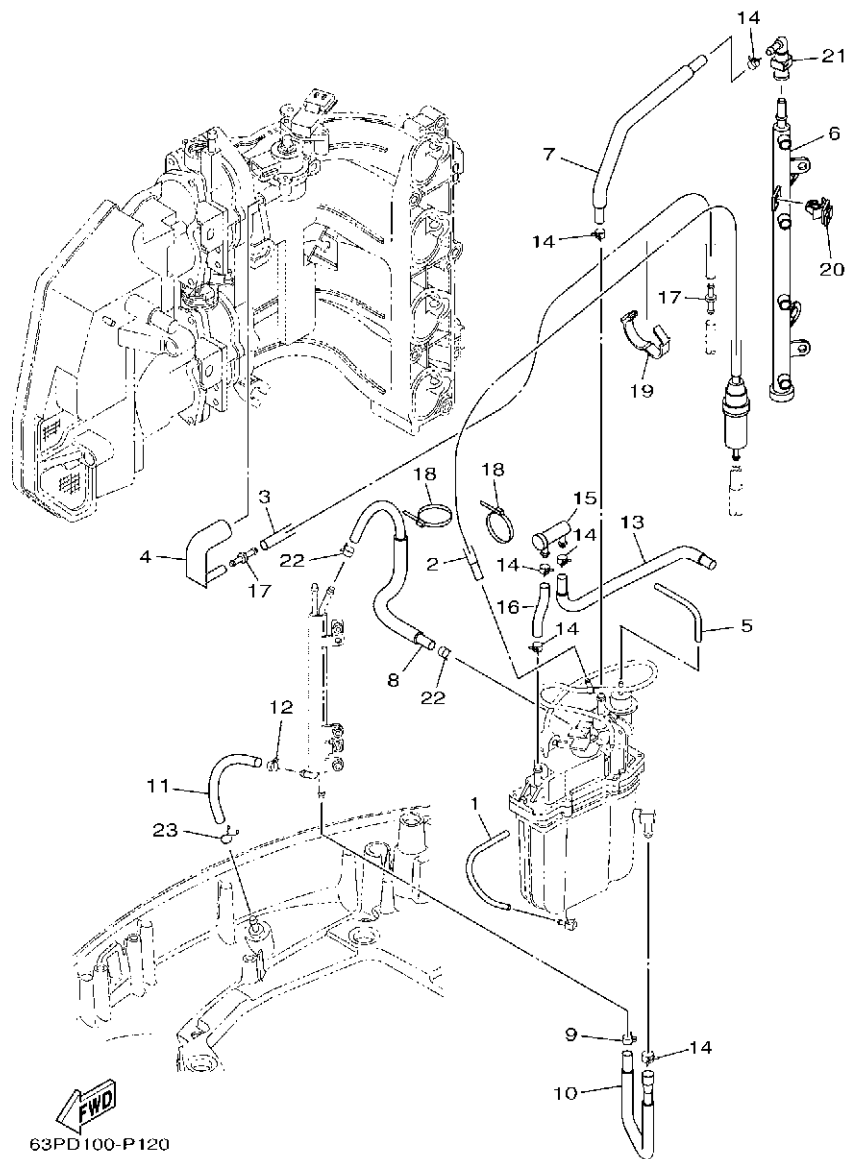


63PD100-P110

REF. NO.	PART NO. N° PIECES	DESCRIPTION DESCRIPTION	63PH	64PH	REMARKS REMARQUES
1	63P-14180-20	FLOAT CHAMBER ASSY CUVE DE FLOTTEUR	1	1	
2	63P-14182-20	.COVER, FLOAT CHAMBER .COUVERCLE, CUVE DE FLOTTEUR	1	1	
3	4SV-24453-00	.SCREW .VIS	2	2	
4	63P-2411R-00	.PLATE 1 .PLAQUE 1	1	1	
5	63P-2411T-00	.PLATE 2 .PLAQUE 2	1	1	
6	63P-14181-20	.BODY, FLOAT CHAMBER 1 .CORPS, CUVE DE FLOTTEUR 1	1	1	
7	63P-14191-00	.PLUG, DRAIN .PLOT, VIDANGE	1	1	
8	4SV-24453-00	.SCREW .VIS	1	1	
9	63P-13906-00	.REGULATOR, PRESSURE .REGULATEUR DE PRESSION	1	1	
10	63P-14565-00	.SCREW .VIS	1	1	
11	63P-14567-00	.SCREW .VIS	7	7	
12	63P-14984-00	.GASKET, FLOAT CHAMBER .JOINT, CUVE DE FLOTTEUR	1	1	
13	68V-13781-20	.GROMMET & COLLAR SET .PASSE-FIL ET COLLERETTE	1	1	
14	63P-14546-00	.VALVE, NEEDLE .POINTEAU	1	1	
15	68V-14386-00	.PIN, FLOAT .AXE, FLOTTEUR	1	1	
16	63P-14985-00	.FLOAT .FLOTTEUR	1	1	
17	63P-13907-03	.FUEL PUMP COMP. .POMPE A CARBURANT COMP.	1	1	
18	63P-13784-00	.COVER, PUMP .COUVERCLE, POMPE	1	1	
19	63P-13915-00	.FILTER .FILTRE	1	1	
20	63P-14148-00	PIPE DURITE	2	2	
21	69J-24379-00	PIPE, JOINT 4 DURITE RACCORDEMENT 4	1	1	
22	90119-06269	BOLT, WITH WASHER BOULON, AVEC RONDELLE	3	3	
23	63P-13716-00	COLLAR COLLERETTE	3	3	
24	6BM-13593-00	DAMPER AMORTISSEUR	3	3	
25	63P-8259L-00	WIRE HARNESS ASSY 1 FAISCEAU DE FILS COMPLET 1	1	1	
26	63P-21841-10	COOLER RADIATEUR	1	1	
27	63P-13573-00	BOLT 1 BOULON 1	3	3	

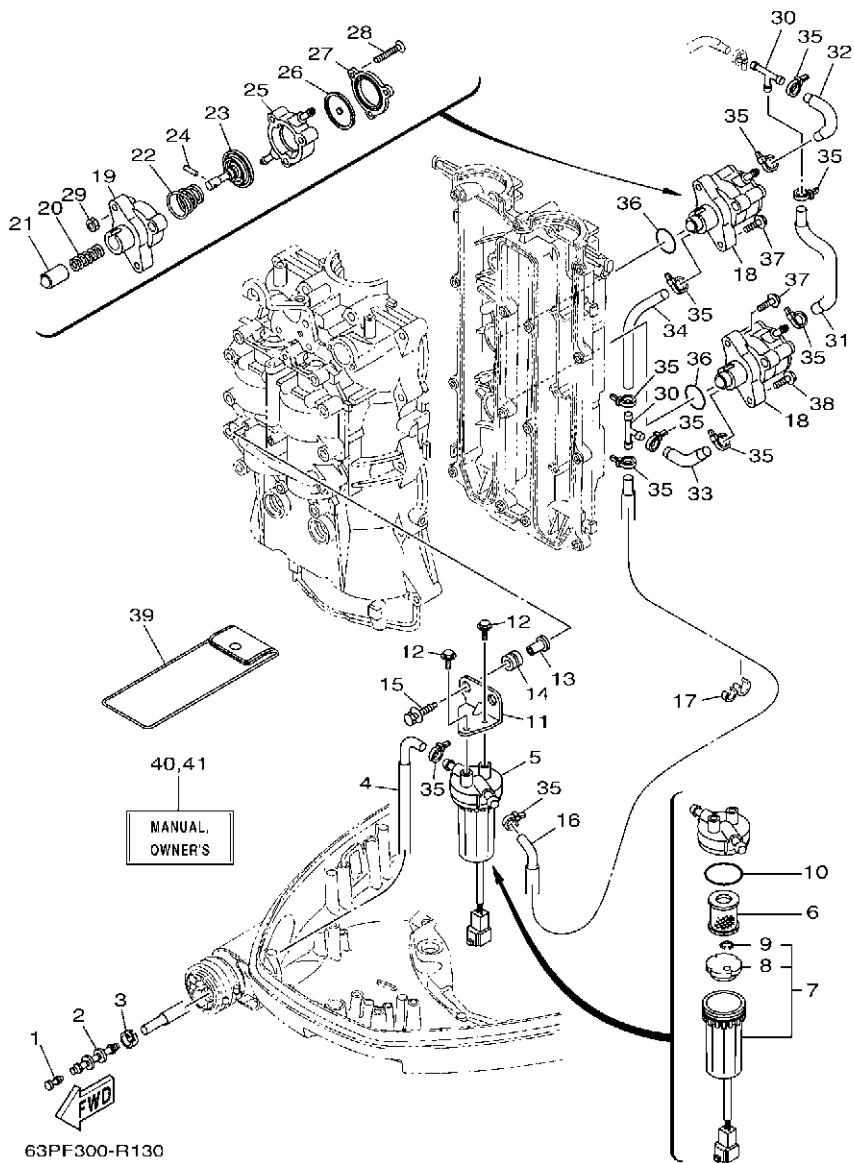
FIG. 12 FUEL INJECTION PUMP 2

POMPE A INJECTEUR 2



63PD100-P120

REF. NO.	PART NO. N° PIECES	DESCRIPTION DESCRIPTION	63PH	64PH	REMARKS REMARQUES
1	63P-14149-00	PIPE DURITE	1	1	
2	63P-13971-10	PIPE, FUEL 1 TUBE 1, CARBURANT	1	1	WITH FILTER WITH FILTER
3	63P-13546-00	HOSE 2 DURITE 2	1	1	
4	63P-13545-00	HOSE 1 DURITE 1	1	1	
5	63P-13532-10	HOSE, VACUUM SENSING 3 DURITE 3	1	1	
6	63P-13160-10	DELIVERY PIPE ASSY 1 ENS. TUBE DE REFOULEMENT 1	1	1	
7	63P-13974-40	PIPE, FUEL 4 TUBE 4, CARBURANT	1	1	
8	63P-13976-50	PIPE, FUEL 6 TUBE 6, CARBURANT	1	1	
9	68V-2411M-00	CLIP JONC	1	1	
10	63P-24317-40	PIPE 7 DURITE 7	1	1	
11	63P-2247B-10	HOSE 2 DURITE 2	1	1	
12	68V-24519-00	CLIP JONC	1	1	
13	63P-24325-50	PIPE 14 DURITE 14	1	1	
14	68V-13577-00	CLIP AGRAFE	6	6	
15	69J-24501-10	FILTER, FUEL FILTRE	1	1	
16	63P-13975-50	PIPE, FUEL 5 TUBE 5, CARBURANT	1	1	
17	6P2-13758-00	PIPE, JOINT DURITE	2	2	
18	68V-2481H-00	CLAMP BRIDE	2	2	
19	90464-26001	CLAMP BRIDE	1	1	
20	90464-12002	CLAMP BRIDE	1	1	
21	6AW-24300-00	FUEL PIPE JOINT DURITE RACCORDEMT. A ESSENCE	1	1	
22	63P-24519-00	CLIP JONC	2	2	
23	90467-09M09	CLIP JONC	1	1	



63PF300-R130

FIG. 13 FUEL 1

CARBURANT 1

REF. NO.	PART NO. N° PIECES	DESCRIPTION DESCRIPTION	63PH	64PH	REMARKS REMARQUES
1	689-85547-00	DAMPER AMORTISSEUR	1	1	
2	6AW-24377-01	PIPE, JOINT 2 DURITE RACCORDEMENT 2	1	1	
3	6E5-24351-51	BAND 1 COLLIER 1	1	1	
4	63P-24316-40	PIPE 6 DURITE 6	1	1	
5	6P3-24560-03	FILTER ASSY ENS FILTRE	1	1	
6	6P3-24563-01	.ELEMENT, FILTER .ELEMENT, FILTRE	1	1	
7	6P3-24562-03	.CUP, FILTER .CUVETTE, FILTRE	1	1	
8	6P3-24469-00	..FLOAT, WATER LEVEL ..FLOTTEUR	1	1	
9	6P3-24519-00	..CLIP ..JONC	1	1	
10	6P3-24564-00	.GASKET .JOINT	1	1	
11	63P-24566-00	BRACKET, FILTER SUPPORT, FILTRE	1	1	
12	97E95-06514	BOLT, HEXAGON W/W DEEP RECESS VIS HEXAGONAL AVC RONDELLE	2	2	
13	90387-06289	COLLAR COLLERETTE	2	2	
14	90480-10M23	GROMMET PASSE-FIL	2	2	
15	90119-06M17	BOLT, WITH WASHER BOULON, AVEC RONDELLE	2	2	
16	63P-24311-20	PIPE, FUEL 1 DURITE A ESSENCE	1	1	
17	90464-13M34	CLAMP BRIDE	1	1	
18	63P-24410-20	FUEL PUMP ASSY POMPE A ESSENCE	2	2	
19	68V-24412-00	.BODY 1 .CORPS 1	1	1	
20	68V-24454-00	.SPRING .RESSORT	1	1	
21	63P-13131-00	.PLUNGER .PLONGEUR	1	1	
22	63P-24423-00	.SPRING, DIAPHRAGM .RESSORT, DIAPHRAGME	1	1	
23	68V-24411-00	.DIAPHRAGM .DIAPHRAGME	1	1	
24	68V-24374-00	.PIN .GOUILLE	1	1	
25	63P-24413-00	.BODY 2 .CORPS 2	1	1	
26	68V-24471-10	.DIAPHRAGM .DIAPHRAGME	1	1	
27	63P-24414-00	.BODY 3 .CORPS 3	1	1	

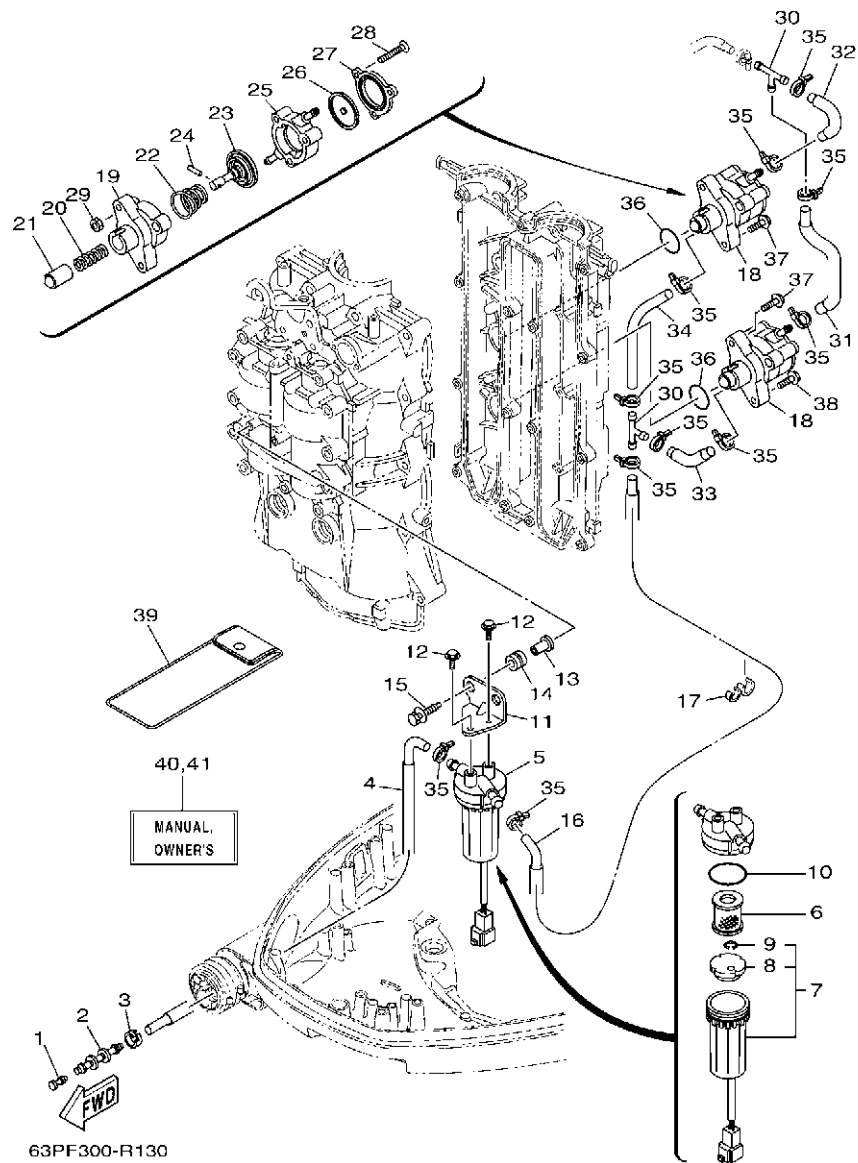


FIG. 13 FUEL 1

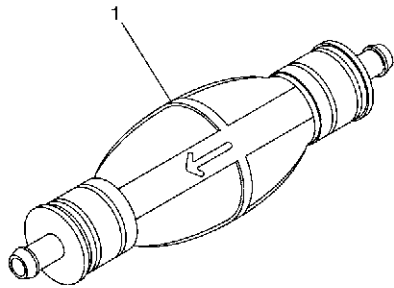
CARBURANT 1

REF. NO.	PART NO. N° PIECES	DESCRIPTION DESCRIPTION	63PH	64PH	REMARKS REMARQUES
28	68V-24444-00	.SCREW .VIS	3	3	
29	68V-24149-00	.NUT .ECROU	3	3	
30	6E5-24378-00	PIPE, JOINT 3 DURITE, RACCORDEMENT 3	2	2	
31	63P-24314-10	PIPE 4 DURITE 4	1	1	
32	63P-24315-10	PIPE 5 DURITE 5	1	1	
33	63P-24312-20	PIPE 2 DURITE 2	1	1	
34	63P-24313-20	PIPE 3 DURITE 3	1	1	
35	90465-11M10	CLAMP BRIDE	11	11	
36	93210-30682	O-RING JOINT TORIQUE	2	2	
37	90119-06M83	BOLT, WITH WASHER BOULON, AVEC RONDELLE	3	3	
38	90119-06135	BOLT, WITH WASHER BOULON, AVEC RONDELLE	1	1	
39	67F-28100-02	TOOL KIT TROUSSE A OUTILS	1	1	AP AP
40	63P-28199-7L-E0	MANUAL, OWNER'S MANUEL D'UTILISATION	1	1	UR (E) UR (E)
	63P-28199-7L-F0	MANUAL, OWNER'S MANUEL D'UTILISATION	1	1	UR (F) UR (F)
	63P-28199-7L-S0	MANUAL, OWNER'S MANUEL D'UTILISATION	1	1	UR (ES) UR (ES)
	63P-28199-7L-G0	MANUAL, OWNER'S MANUEL D'UTILISATION	1	1	UR (D) UR (D)
	63P-28199-7L-D0	MANUAL, OWNER'S MANUEL D'UTILISATION	1	1	UR (NL) UR (NL)
	63P-28199-7L-H0	MANUAL, OWNER'S MANUEL D'UTILISATION	1	1	UR (I) UR (I)
41	63P-28199-8L-K0	MANUAL, OWNER'S MANUEL D'UTILISATION	1	1	UR (DK) UR (DK)
	63P-28199-8L-R0	MANUAL, OWNER'S MANUEL D'UTILISATION	1	1	UR (GR) UR (GR)
	63P-28199-8L-P0	MANUAL, OWNER'S MANUEL D'UTILISATION	1	1	UR (P) UR (P)
	63P-28199-8L-N0	MANUAL, OWNER'S MANUEL D'UTILISATION	1	1	UR (N) UR (N)
	63P-28199-8L-M0	MANUAL, OWNER'S MANUEL D'UTILISATION	1	1	UR (S) UR (S)
	63P-28199-8L-L0	MANUAL, OWNER'S MANUEL D'UTILISATION	1	1	UR (SF) UR (SF)

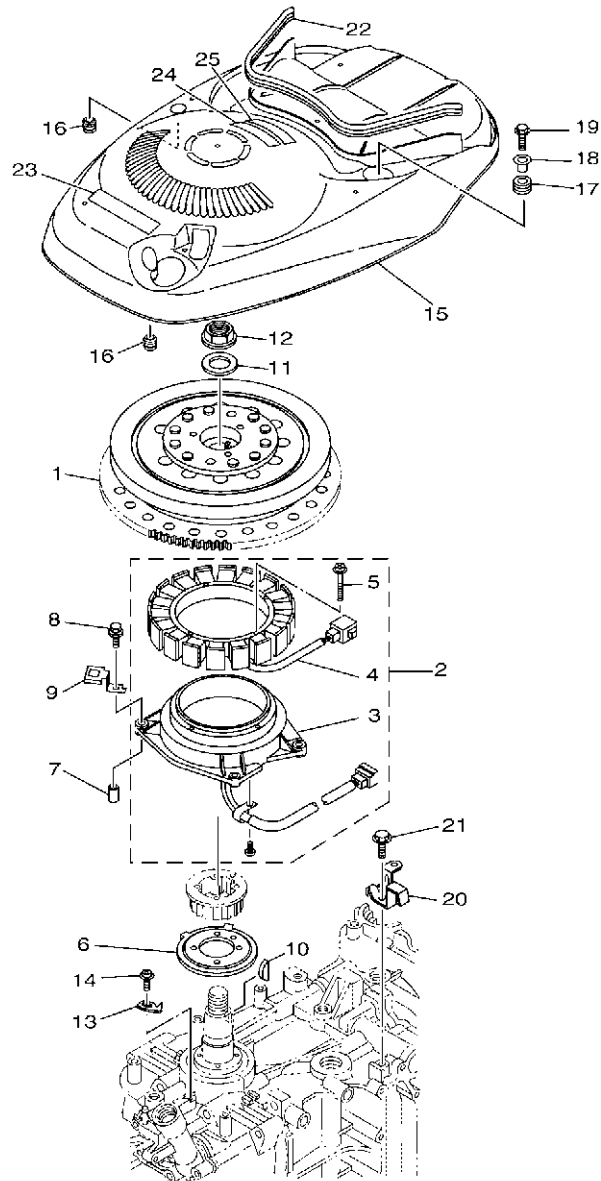
FIG. 14 FUEL 2

CARBURANT 2

REF. NO.	PART NO. N° PIECES	DESCRIPTION DESCRIPTION	63PH	64PH				REMARKS REMARQUES
1	6YK-24360-73	PRIMER PUMP ASSY POMPE D'AMORCAGE	1	1				AP AP



 68VC 100-L120




 63PF100-R150

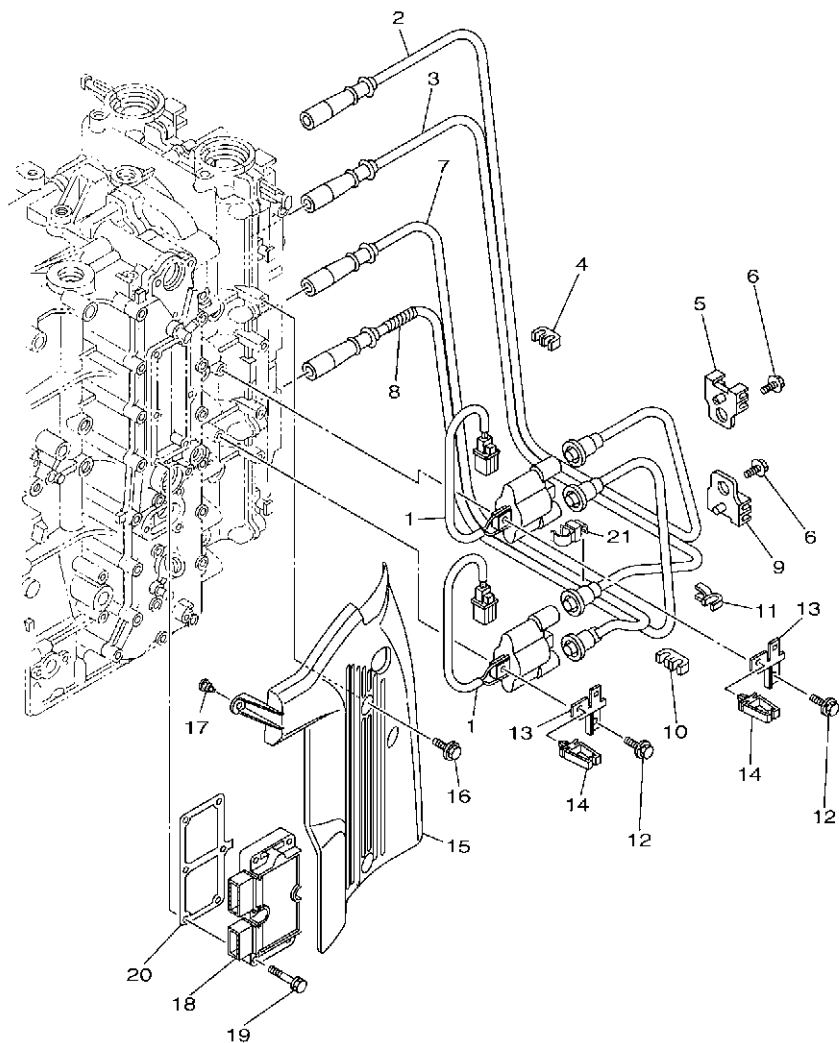
FIG. 15 GENERATOR

GENERATRICE

REF. NO.	PART NO. N° PIECES	DESCRIPTION DESCRIPTION	63PH	64PH	REMARKS REMARQUES
1	63P-81450-00	ROTOR ASSY ROTOR COMPLET	1	1	
2	63P-81460-00	BASE ASSY ENS. FLASQUE	1	1	
3	63P-85580-00	.COIL, PULSER .BOBINE, PULSEUR	1	1	
4	63P-81410-00	.STATOR ASSY .STATOR COMPLET	1	1	
5	63D-81345-20	.SCREW, WITH WASHER (M6X30) .VIS, AVEC RONDELLE (M6X30)	4	4	
6	63P-81673-01	ROTOR ROTOR	1	1	
7	99530-08012	PIN, DOWEL GOUJON, D'ASSEMBLAGE	2	2	
8	97E95-06635	BOLT, HEXAGON W/W DEEP RECESS VIS HEXAGONAL AVC RONDELLE	4	4	
9	63P-81845-00	PLATE PLAQUE	2	2	
10	90280-05015	KEY, WOODRUFF CLAVETTE, DEMI-LUNE	1	1	
11	90201-24014	WASHER, PLATE RONDELLE, PLATE	1	1	
12	90179-24002	NUT ECROU	1	1	
13	6P2-81332-00	PLATE, TIMING PLATEAU, ALLUMAGE	1	1	
14	97985-06210	SCREW, WITH WASHER VIS, AVEC RONDELLE	1	1	
15	63P-81337-10	COVER, FLYWHEEL COUVERCLE, VOLANT	1	1	
16	6A0-82317-00	DAMPER, IGNITION COIL AMORTISSEUR, BOBINE D'ALLUM	2	2	
17	90480-15M31	GROMMET PASSE-FIL	1	1	
18	90387-06285	COLLAR COLLERETTE	1	1	
19	95D95-06020	BOLT, FLANGE DEEP RECESS BOULON FIXATION	1	1	
20	63P-8132G-10	PLATE PLAQUE	1	1	
21	97E95-06516	BOLT, HEXAGON W/W DEEP RECESS VIS HEXAGONAL AVC RONDELLE	1	1	
22	6DA-42617-00	DAMPER, FORM BOURRELET, CAOUTCHOUC	1	1	
23	63P-13437-63	MARK, CAUTION MAKER	1	1	
24	6EE-81994-40	LABEL, SAFETY ETIQUETTE, SECURITE	1	1	
25	6EE-81994-50	LABEL, SAFETY ETIQUETTE, SECURITE	1	1	

FIG. 16 ELECTRICAL 1

PARTIE ELECTRIQUE 1



63PF100-R160

REF. NO.	PART NO. N° PIECES	DESCRIPTION DESCRIPTION	63PH	64PH	REMARKS REMARQUES
1	63P-82310-01	IGNITION COIL ASSY BOBINE D'ALLUMAGE	2	2	
2	63P-82341-00	CORD, HIGH TENSION 1 CORDON, HAUTE-TENSION 1	1	1	
3	63P-82342-00	CORD, HIGH TENSION 2 CORDON, HAUTE-TENSION 2	1	1	
4	67F-82361-00	CLAMP, CORD COLLIER, CORDON	1	1	
5	67F-82362-00	CLAMP, CORD 2 COLLIER, CABLE 2	1	1	
6	90119-06M09	BOLT, WITH WASHER BOULON, AVEC RONDELLE	2	2	
7	63P-82343-00	CORD, HIGH TENSION 3 CORDON, HAUTE-TENSION 3	1	1	
8	63P-82344-01	CORD, HIGH TENSION 4 CORDON, HAUTE TENSION 4	1	1	
9	67F-82362-00	CLAMP, CORD 2 COLLIER, CABLE 2	1	1	
10	67F-82361-00	CLAMP, CORD COLLIER, CORDON	1	1	
11	90464-07M41	CLAMP BRIDE	1	1	
12	97E95-06625	BOLT, HEXAGON W/W DEEP RECESS VIS HEXAGONAL AVC RONDELLE	4	4	
13	63P-82388-00	PLATE PLAQUETTE	2	2	
14	90464-05141	CLAMP BRIDE	2	2	
15	63P-82314-00	COVER, IGNITION COIL COUVERCLE, BOBINE D'ALLUMAGE	1	1	
16	95D95-06020	BOLT, FLANGE DEEP RECESS BOULON FIXATION	2	2	
17	90480-06M19	GROMMET PASSE-FIL	1	1	
18	63P-81960-02	RECTIFIER & REGULATOR ASSY REDRESSEUR REGULATEUR CPLT	1	1	
19	90119-06MA4	BOLT, WITH WASHER BOULON, AVEC RONDELLE	6	6	
20	63P-81975-00	PLATE, RECTIFIER FITTING PLAQUE, FIXATION DU REDRESSEUR	1	1	
21	90464-12017	CLAMP BRIDE	1	1	

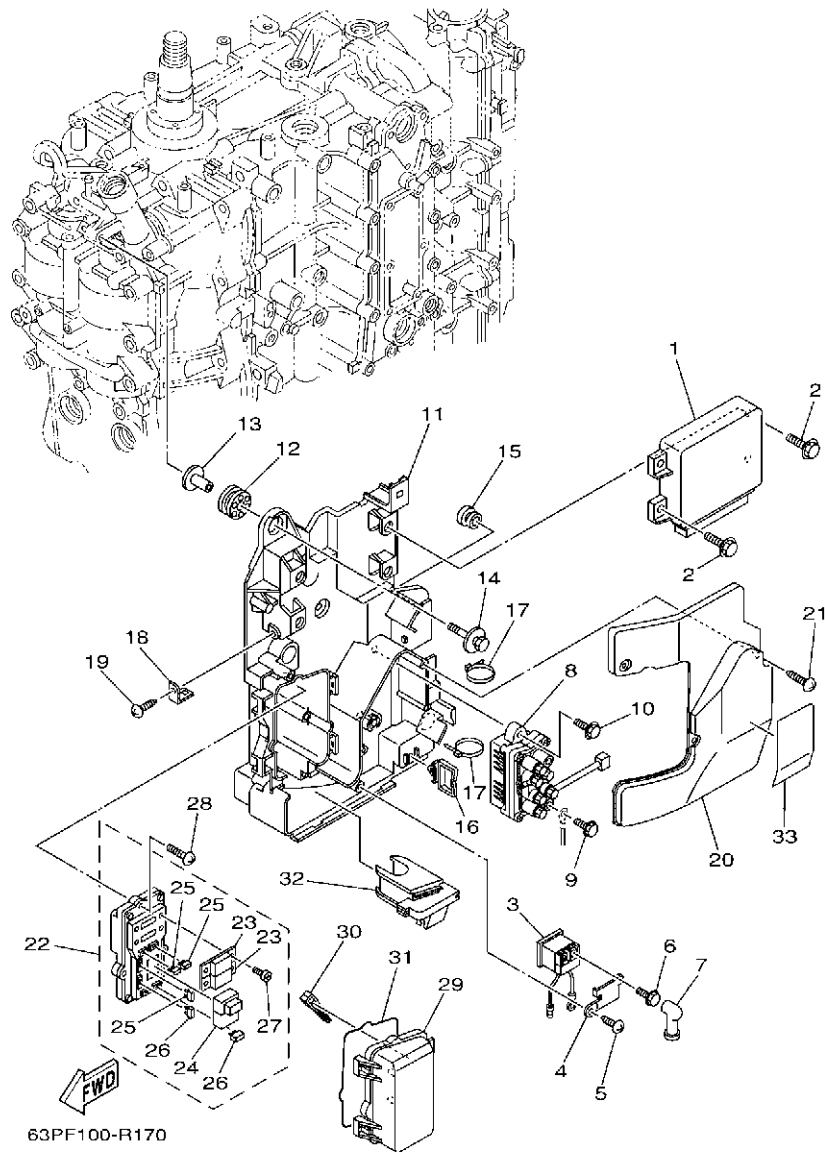


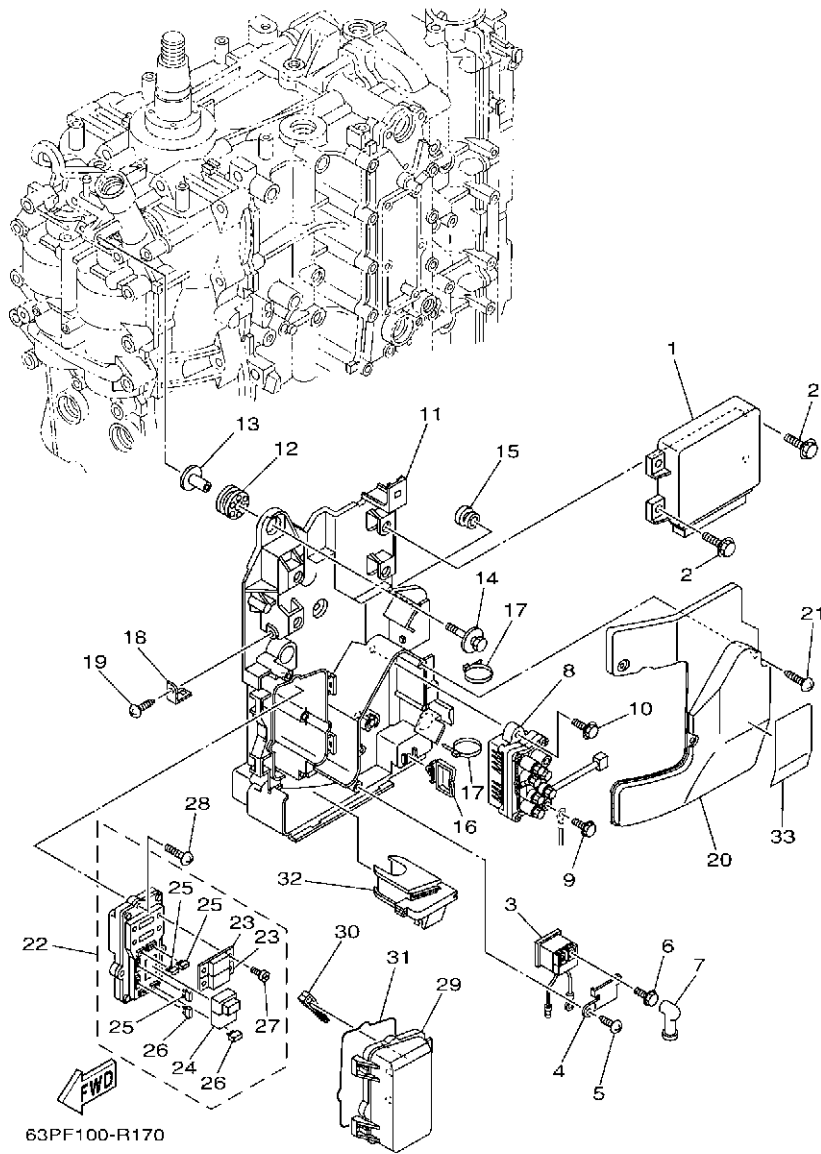
FIG. 17 ELECTRICAL 2

PARTIE ELECTRIQUE 2

REF. NO.	PART NO. N° PIECES	DESCRIPTION DESCRIPTION	63PH	64PH	REMARKS REMARQUES
1	63P-8591A-38	ENGINE CONTROL UNIT ASSY BLOC DE CONTROL	1	1	
2	97E95-06516	BOLT, HEXAGON W/W DEEP RECESS VIS HEXAGONAL AVC RONDELLE	4	4	
3	68V-8194A-00	RELAY RELAIS	1	1	
4	68V-81953-00	STAY, RELAY SUPPORT, RELAIS	1	1	
5	97780-60620	SCREW, TAPPING VIS, TETE BOMBEE	1	1	
6	97E95-06610	BOLT, HEXAGON W/W DEEP RECESS VIS HEXAGONAL AVC RONDELLE	2	2	
7	6G5-82119-00	COVER, LEAD WIRE GARNITURE, FIL	2	2	
8	63P-81950-00	RELAY ASSY RELAIS COMPLET	1	1	
9	97E95-06610	BOLT, HEXAGON W/W DEEP RECESS VIS HEXAGONAL AVC RONDELLE	2	2	
10	97513-06520	BOLT, WITH WASHER VIS HEXAGONAL AVC RONDELLE	2	2	
11	63P-81948-01	BRACKET SUPPORT	1	1	
12	68F-85516-01	SPACER ENTRETOISE	3	3	
13	90387-06176	COLLAR COLLERETTE	3	3	
14	68F-85119-00	BOLT BOULON	3	3	
15	90480-10627	GROMMET PASSE-FIL	1	1	
16	90464-23199	CLAMP BRIDE	1	1	
17	90465-13M18	CLAMP BRIDE	3	3	
18	68V-85548-01	HOLDER SUPPORT	1	1	
19	97780-60620	SCREW, TAPPING VIS, TETE BOMBEE	1	1	
20	63P-81942-00	COVER COUVERCLE	1	1	
21	90169-05M00	SCREW, TRUSS HEAD TAPPING VIS, TETE FRAISEE	3	3	
22	63P-82170-02	FUSE BOX ASSY BOITE A FUSIBLES	1	1	
23	63P-82151-00	.FUSE (50A) .FUSIBLE (50A)	2	2	
24	6AW-8195A-00	.RELAY ASSY .RELAIS COMPLET	1	1	
25	67F-82151-00	.FUSE (20A) .FUSIBLE (20A)	3	3	
26	67F-82151-10	.FUSE (30A) .FUSIBLE (30A)	2	2	
27	68F-82846-00	.SCREW, PAN HEAD (M5) .VIS, TETE TRONCONIQUE (M5)	4	4	

FIG. 17 ELECTRICAL 2

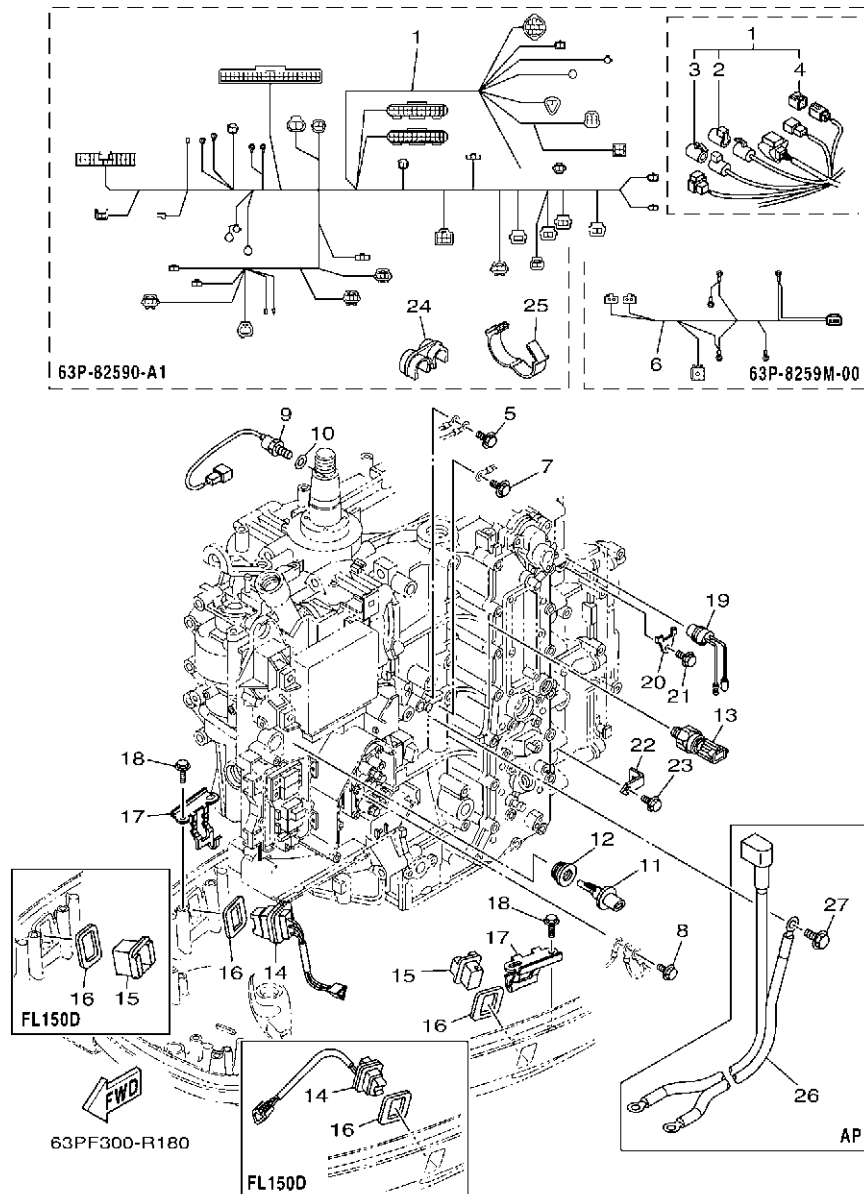
PARTIE ELECTRIQUE 2



REF. NO.	PART NO. N° PIECES	DESCRIPTION DESCRIPTION	63PH	64PH	REMARKS REMARQUES
28	97780-50620	SCREW, TAPPING VIS, TETE BOMBEE	3	3	
29	60V-85544-00	CASE BOITIER	1	1	
30	67F-2812A-00	PULLER, FUSE TENDEUR, FUSIBLE	1	1	
31	68F-82176-00	DAMPER AMORTISSEUR	1	1	
32	63P-81336-00	GROMMET OUILLET CAOUTCHOUC	1	1	
33	63P-81919-00	GRAPHIC, REGULATOR ADHESIF, REGULATEUR	1	1	

FIG. 18 ELECTRICAL 3

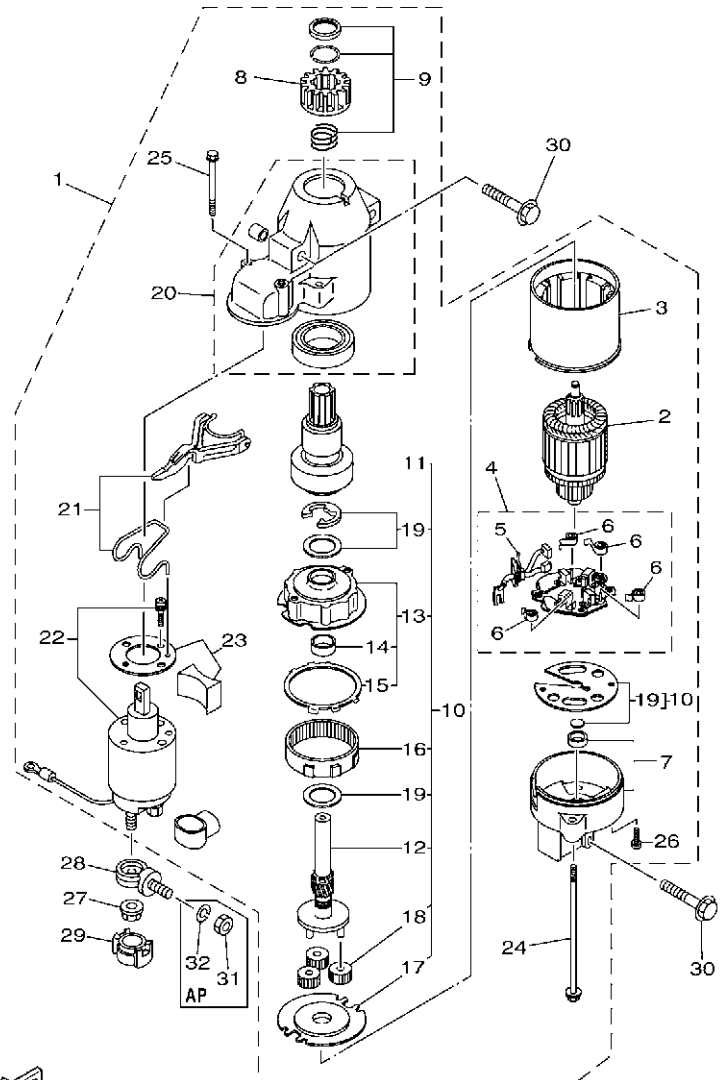
PARTIE ELECTRIQUE 3



REF. NO.	PART NO. N° PIECES	DESCRIPTION DESCRIPTION	63PH	64PH	REMARKS REMARQUES
1	63P-82590-A1	WIRE HARNESS ASSY FAISCEAU DE FILS COMPLET	1	1	FOR TILT LIMIT FOR TILT LIMIT
2	6DA-82582-00	.CAP 1 (FEMALE) .BOUCHON 1 (FEMME)	1	1	
3	6DA-82582-10	.CAP 1 (MALE) .BOUCHON 1 (MALE)	1	1	
4	6Y8-82582-11	.CAP 1 (4PIN) .COUVERCLE 1	1	1	
5	97E95-06516	BOLT, HEXAGON W/W DEEP RECESS VIS HEXAGONAL AVC RONDELLE	1	1	
6	63P-8259M-00	WIRE HARNESS ASSY 2 FAISCEAU DE FILS	1	1	
7	97E95-06516	BOLT, HEXAGON W/W DEEP RECESS VIS HEXAGONAL AVC RONDELLE	1	1	
8	97E95-06512	BOLT, HEXAGON W/W DEEP RECESS VIS HEXAGONAL AVC RONDELLE	1	1	
9	61A-85790-00	THERMOSENSOR ASSY SENSITOMETRE	1	1	
10	92990-10600	WASHER, PLATE RONDELLE, PLATE	1	1	
11	63P-85886-00	SENSOR, AIR TEMPERATURE SONDE	1	1	
12	63P-14435-00	GROMMET RONDELLE CAOUTCHOUC	1	1	
13	6AW-83651-00	SENDER, OIL PRESSURE RACCORD, PRESSION D'HUILE	1	1	
14	69J-82563-01	TRIM & TILT SWITCH ASSY INCLINER ET PARER COMMUTATEUR	1	1	
15	69J-42723-01	COVER, BOTTOM COUVERCLE	1	1	
16	69J-82587-00	GASKET JOINT	2	2	
17	63P-83614-01	BRACKET SUPPORT	2	2	
18	90109-06M86	BOLT BOULON	4	4	
19	6P2-82560-01	THERMO SWITCH ASSY THERMO-CONTACT COMPLET	1	1	
20	6E9-82588-00	PLATE PLAQUE	1	1	
21	90109-06M80	BOLT BOULON	1	1	
22	63P-8366P-01	BRACKET 4 SUPPORT 4	1	1	
23	97E95-06512	BOLT, HEXAGON W/W DEEP RECESS VIS HEXAGONAL AVC RONDELLE	1	1	
24	90464-12224	CLAMP BRIDE	1	1	
25	90464-26001	CLAMP BRIDE	1	1	
26	6DA-82105-01	BATTERY CABLE CABLE DE BATTERIE	1	1	AP
27	97E95-08516	BOLT, HEXAGON W/W DEEP RECESS VIS HEXAGONAL AVC RONDELLE	1	1	AP

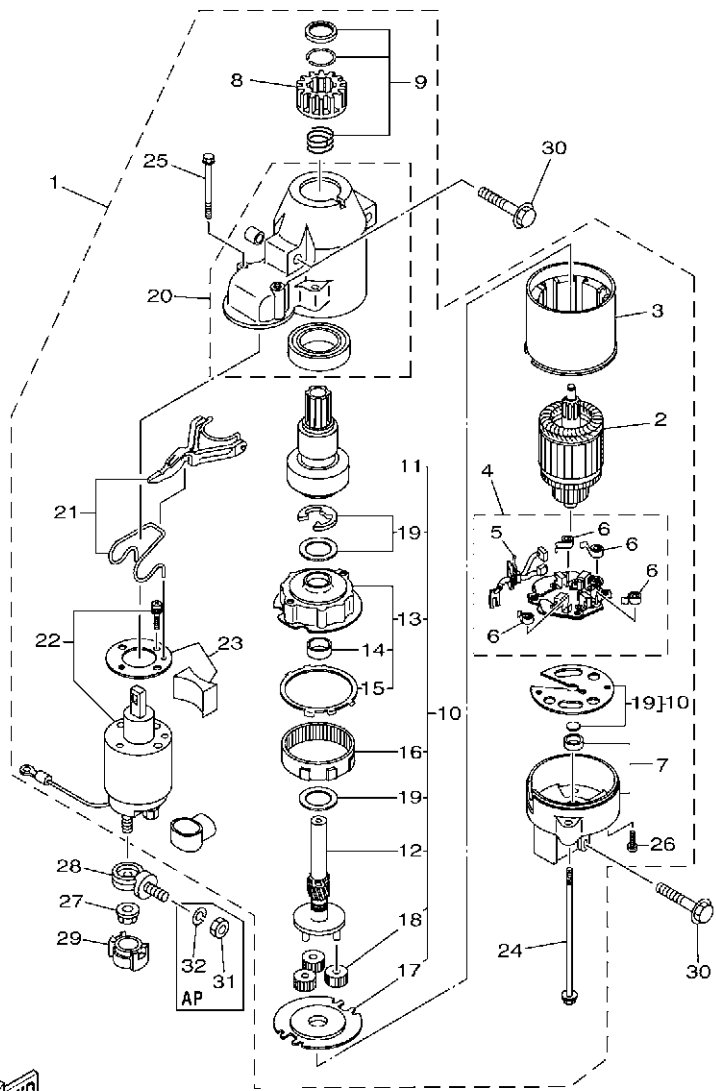
FIG. 19 STARTING MOTOR

DEMARREUR ELECTRIQUE



63PF100-R190

REF. NO.	PART NO. N° PIECES	DESCRIPTION DESCRIPTION	63PH	64PH	REMARKS REMARQUES
1	6BR-81800-02	STARTING MOTOR ASSY DEMARREUR ELECTRIQUE COMPLET	1	1	
2	67F-81850-00	.ARMATURE ASSY .INDUIT	1	1	
3	67F-81810-00	.STATOR ASSY .STATOR COMPLET	1	1	
4	69J-81840-11	.BRUSH HOLDER ASSY .SUPPORT DE CHARBON	1	1	
5	69J-81801-11	.BRUSH SET .JEU DE BROSE	1	1	
6	67F-81813-00	.SPRING, BRUSH .RESSORT, DE CHARBON	4	4	
7	67F-81820-00	.REAR BRACKET ASSY .SUPPORT ARRIERE COMPLET	1	1	
8	67F-81808-00	.PINION ASSY .PIGNON	1	1	
9	67F-81857-00	.PINION STOPPER SET .BUTEE PIGNON	1	1	
10	67F-81807-00	.GEAR ASSY, STARTING MOTOR .PIGNON, DEMARREUR ELECTRIQUE	1	1	
11	67F-81832-00	.CLUTCH, OVER RUN .EMBAYAGE, ROUE LIBRE	1	1	
12	67F-81836-00	.SHAFT, PINION .AXE, PIGNON	1	1	
13	67F-81821-00	.BRACKET, CENTER 1 .SUPPORT, CENTRE 1	1	1	
14	67F-81841-00	.BEARING .ROULEMENT	1	1	
15	67F-8183R-00	.GASKET .JOINT	1	1	
16	67F-81891-00	.GEAR, RING .ROUE DENTEE	1	1	WITH 67F-8183R-00 WITH 67F-8183R-00
17	67F-81830-00	.BRACKET, CENTER 2 .SUPPORT, CENTRE 2	1	1	
18	60V-8183T-00	.GEAR, IDLER .PIGNON, INTERMEDIAIRE	3	3	
19	67F-81809-00	.WASHER KIT .JEU DE RONDELLES	1	1	
20	69J-81842-00	.COVER .COUVERCLE	1	1	
21	6C5-81839-00	.LEVER ASSY .LEVIER COMPLET	1	1	
22	63P-81941-00	.STARTER RELAY ASSY .LANCEUR RELAIS (ENS.)	1	1	
23	6C5-81869-00	.COVER, DUST .COUVERCLE, POUSSIERE	1	1	
24	6K7-81826-11	.BOLT .BOULON	2	2	
25	69J-81828-00	.BOLT 2 .BOULON 2	2	2	
26	67F-81846-00	.SCREW .VIS	2	2	
27	90179-08003	NUT ECROU	1	1	



63PF100-R190

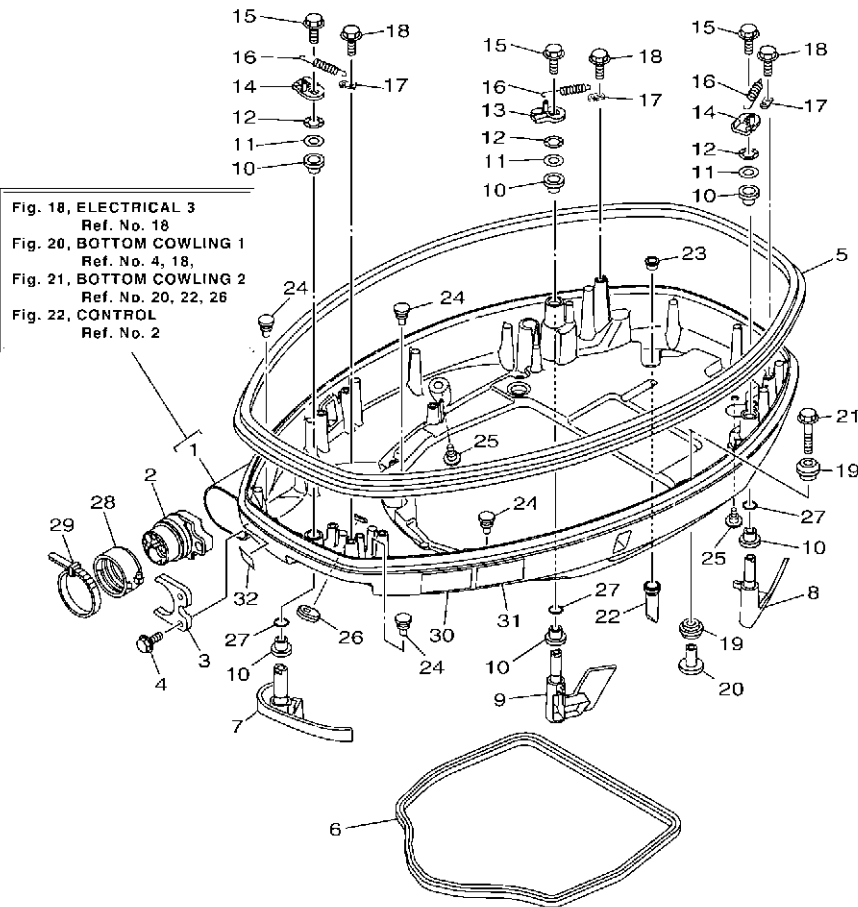
FIG. 19 STARTING MOTOR

DEMARREUR ELECTRIQUE

REF. NO.	PART NO. N° PIECES	DESCRIPTION DESCRIPTION	63PH	64PH	REMARKS REMARQUES
28	60V-81925-00	TERMINAL BORNE	1	1	
29	68F-82582-00	CAP,1 COUVERCLE 1	1	1	
30	97513-08545	BOLT, WITH WASHER VIS HEXAGONAL AVC RONDELLE	3	3	
31	95333-08600	NUT ECROU	1	1	AP
32	92903-08100	WASHER, SPRING RONDELLE, GROWER	1	1	AP AP AP

FIG. 20 BOTTOM COWLING 1

CAPOT INFERIEUR 1



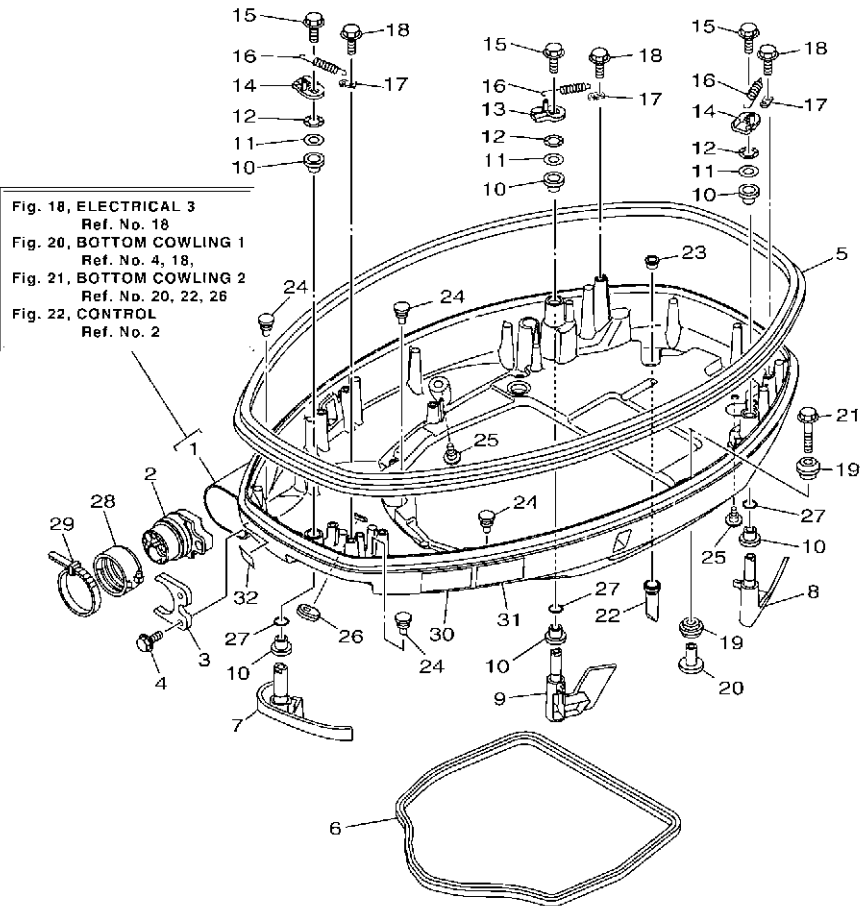
63PF100-R200

REF. NO.	PART NO. N° PIECES	DESCRIPTION DESCRIPTION	63PH	64PH	REMARKS REMARQUES
1	63P-42710-10-8D	BOTTOM COWLING ASSY ENS. EMBASE	1	1	
2	6DA-42725-00	GROMMET PASSE-FIL	1	1	
3	6CB-42761-00	STOPPER PLAQUETTE	1	1	
4	90109-06M86	BOLT BOULON	2	2	
5	63P-42615-10	SEAL JOINT	1	1	
6	63P-42716-00	RUBBER SEAL 1 JOINT EN CAOUTCHOUC 1	1	1	
7	63P-42815-11-8D	LEVER, CLAMP 1 LEVIER, PRESSE 1	1	1	
8	6DA-42816-02-8D	LEVER, CLAMP 2 LEVIER, PRESSE 2	1	1	
9	6DA-42817-02-8D	LEVER, CLAMP 3 LEVIER, PRESSE 3	1	1	
10	90386-15M73	BUSH DOUILLE	6	6	
11	90201-156J2	WASHER, PLATE RONDELLE, PLATE	3	3	
12	90206-15M18	WASHER, WAVE RONDELLE, ONDULEE	3	3	
13	6CB-42818-00	LEVER, CLAMP 4 LEVIER, PRESSE 4	1	1	
14	6CB-42819-00	LEVER, CLAMP 5 LEVIER, PRESSE 5	2	2	
15	95D95-08012	BOLT, FLANGE DEEP RECESS BOULON FIXATION	3	3	
16	90506-22001	SPRING, TENSION RESSORT, TENSION	3	3	
17	66T-43144-00	HOOK, SPRING CROCHET	3	3	
18	90109-06M86	BOLT BOULON	3	3	
19	90480-22M81	GROMMET PASSE-FIL	8	8	
20	90387-08M37	COLLAR COLLERETTE	4	4	
21	90119-08M22	BOLT, WITH WASHER BOULON, AVEC RONDELLE	4	4	
22	6DA-42717-00	RUBBER, SEAL 2 JOINT EN CAOUTCHOUC 2	4	4	
23	6DA-42384-00	SEAL, CAP JOINT, CAPUCHON	4	4	
24	6H4-42748-00	GROMMET PASSE-FIL	4	4	
25	6P2-44391-00	NIPPLE, HOSE RACCORD D'ESSENCE	2	2	
26	61A-42727-00	GROMMET PASSE-FIL	1	1	
27	93210-13M63	O-RING JOINT TORIQUE	3	3	

FIG. 20 BOTTOM COWLING 1

CAPOT INFERIEUR 1

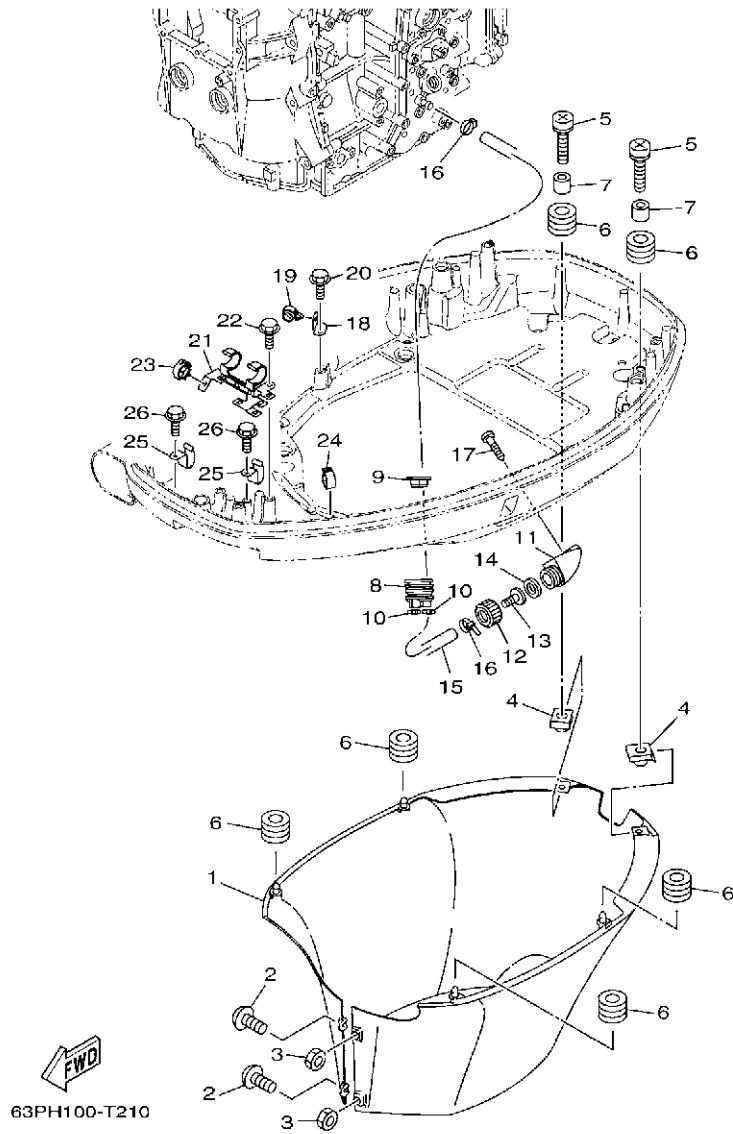
REF. NO.	PART NO. N° PIECES	DESCRIPTION DESCRIPTION	63PH	64PH	REMARKS REMARQUES
28	68F-42753-00	FASTNER ATTACHE	1	1	AP
29	90464-20258	CLAMP BRIDE	1	1	AP
30	6EE-42794-40	LABEL, WARNING (GENERAL) ETIQUETTE, AVERTISSEMENT	1	1	AP
31	6EE-42794-50	LABEL, WARNING (GENERAL) ETIQUETTE, AVERTISSEMENT	1	1	
32	6AH-81996-00	MARK MARQUE	1	1	



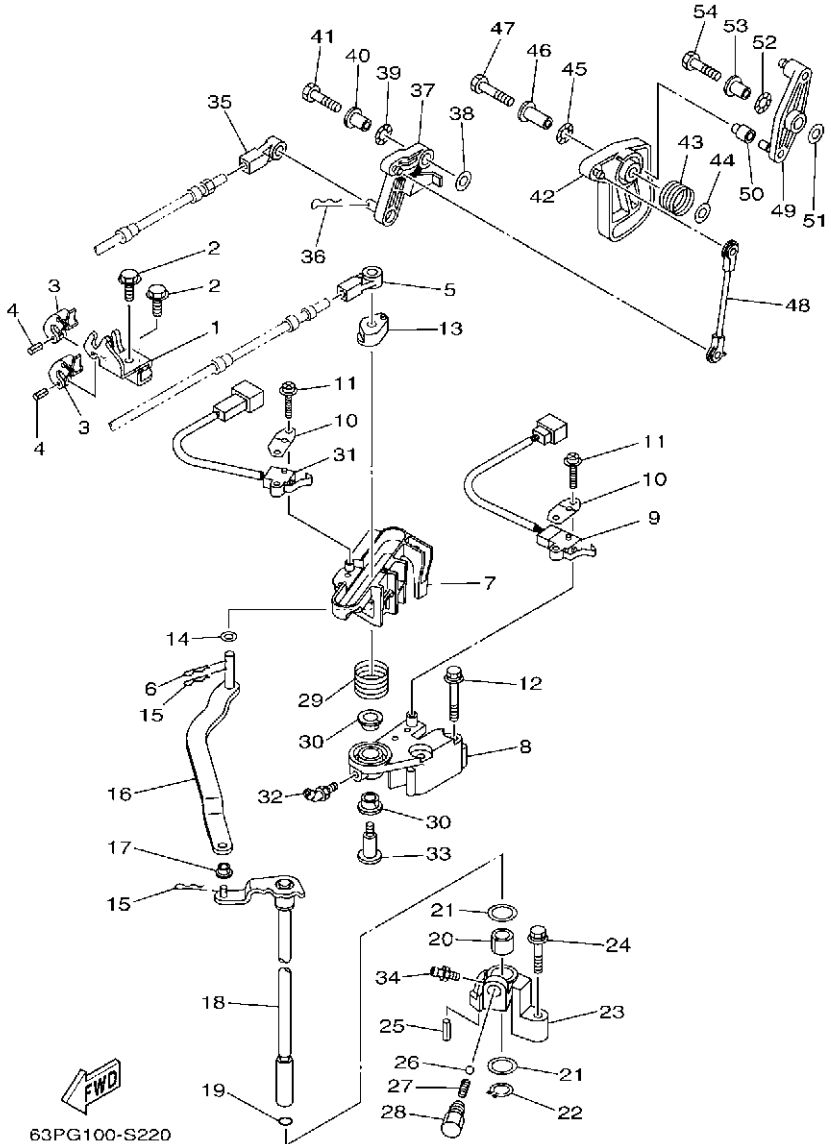
FWD
63PF100-R200

FIG. 21 BOTTOM COWLING 2

CAPOT INFERIEUR 2



REF. NO.	PART NO. N° PIECES	DESCRIPTION DESCRIPTION	63PH	64PH		REMARKS REMARQUES
1	6DA-42741-11-8D	APRON CAPOT LATERAL	1	1		
2	90159-06M28	SCREW, WITH WASHER VIS, AVEC RONDELLE	2	2		
3	95380-06600	NUT, HEXAGON ECROU	2	2		
4	90183-061A8	NUT, SPRING ECROU, RESSORT	2	2		
5	90159-06053	SCREW, WITH WASHER VIS, AVEC RONDELLE	2	2		
6	90480-13M24	GROMMET PASSE-FIL	6	6		
7	90387-06M43	COLLAR COLLERETTE	2	2		
8	6H1-42726-21	GROMMET PASSE-FIL	1	1		
9	6BG-42384-00	SEAL, CAP JOINT, CAPUCHON	1	1		
10	90465-11M10	CLAMP BRIDE	2	2		
11	6AW-12572-00	ADAPTER ADAPTATEUR	1	1		
12	6R3-12581-00	JOINT, HOSE 1 JOINT DE TUYAU	1	1		
13	6R3-12582-00	JOINT, HOSE 2 RACCORD DE TUYAU 1	1	1		
14	6R3-12583-00	GASKET, HOSE JOINT JOINT	1	1		
15	63P-42541-10	PIPE 1 TUYAU 1	1	1		
16	90465-11M10	CLAMP BRIDE	2	2		
17	97780-60520	SCREW, TAPPING VIS, TETE BOMBEE	2	2		
18	63P-42756-00	STAY, CLAMP SUPPORT, COLLIER	1	1		
19	90464-13249	CLAMP BRIDE	1	1		
20	90109-06M86	BOLT BOULON	1	1		
21	63P-8366G-00	BRACKET 3 SUPPORT 3	1	1		
22	90109-06M86	BOLT BOULON	2	2		
23	90464-18246	CLAMP BRIDE	2	2		
24	90464-18004	CLAMP BRIDE	1	1		
25	90462-12013	CLAMP BRIDE	2	2		
26	90109-06M86	BOLT BOULON	2	2		



63PG100-S220

FIG. 22 CONTROL

COMMANDE

REF. NO.	PART NO. N° PIECES	DESCRIPTION DESCRIPTION	63PH	64PH	REMARKS REMARQUES
1	63P-48531-10	BRACKET, REMOTE CONTROL 1 ETRIER 1, COMMANDE A DISTANCE	1	1	
2	90109-06M86	BOLT BOULON	2	2	
3	6E5-48538-00	CLAMP, CABLE COLLIER	2	2	
4	91690-30010	PIN, SPRING AGRAFFE	2	2	
5	6E5-48344-00	CABLE END, REMOTE CONTROL CHAPE CABLE	1	1	
6	90468-18008	CLIP JONC	1	1	
7	6DA-44176-00	BRACKET SUPPORT	1	1	
8	63P-44117-01	BRACKET SUPPORT	1	1	
9	69J-8259F-00	SWITCH ASSY COMMUNTEUR	1	1	
10	61A-82588-01	PLATE PLAQUE	2	2	
11	97985-04116	SCREW, WITH WASHER VIS, AVEC RONDELLE	4	4	
12	97E95-06550	BOLT, HEXAGON W/W DEEP RECESS VIS HEXAGONAL AVC RONDELLE	2	2	
13	63P-44122-00	BUSHING, SHIFT ROD LEVER DOUILLE, LEVIER D'EMBRAYAGE	1	1	
14	90202-08M20	WASHER, PLATE RONDELLE, PLATE	1	1	
15	90468-18008	CLIP JONC	2	2	
16	6DA-44121-00	LEVER, SHIFT ROD LEVIER, TIGE D'INVERSION	1	1	
17	90386-06M12	BUSH DOUILLE	1	1	
18	6DA-44120-11	HANDLE GEAR SHIFT ASSY LEVIER D'EMBRAYAGE	1	1	
19	93210-09165	O-RING JOINT TORIQUE	1	1	
20	90386-16M66	BUSH DOUILLE	1	1	
21	90202-16061	WASHER, PLATE RONDELLE, PLATE	2	2	
22	93410-16006	CIRCLIP CIRCLIP	1	1	
23	63P-44118-00	BRACKET SUPPORT	1	1	
24	97E75-06535	BOLT, HEXAGON W/W DEEP RECESS VIS HEXAGONAL AVC RONDELLE	1	1	
25	91690-30010	PIN, SPRING AGRAFFE	1	1	
26	93501-04M02	BALL BILLE	1	1	
27	90501-12082	SPRING, COMPRESSION RESSORT, COMPRESSION	1	1	

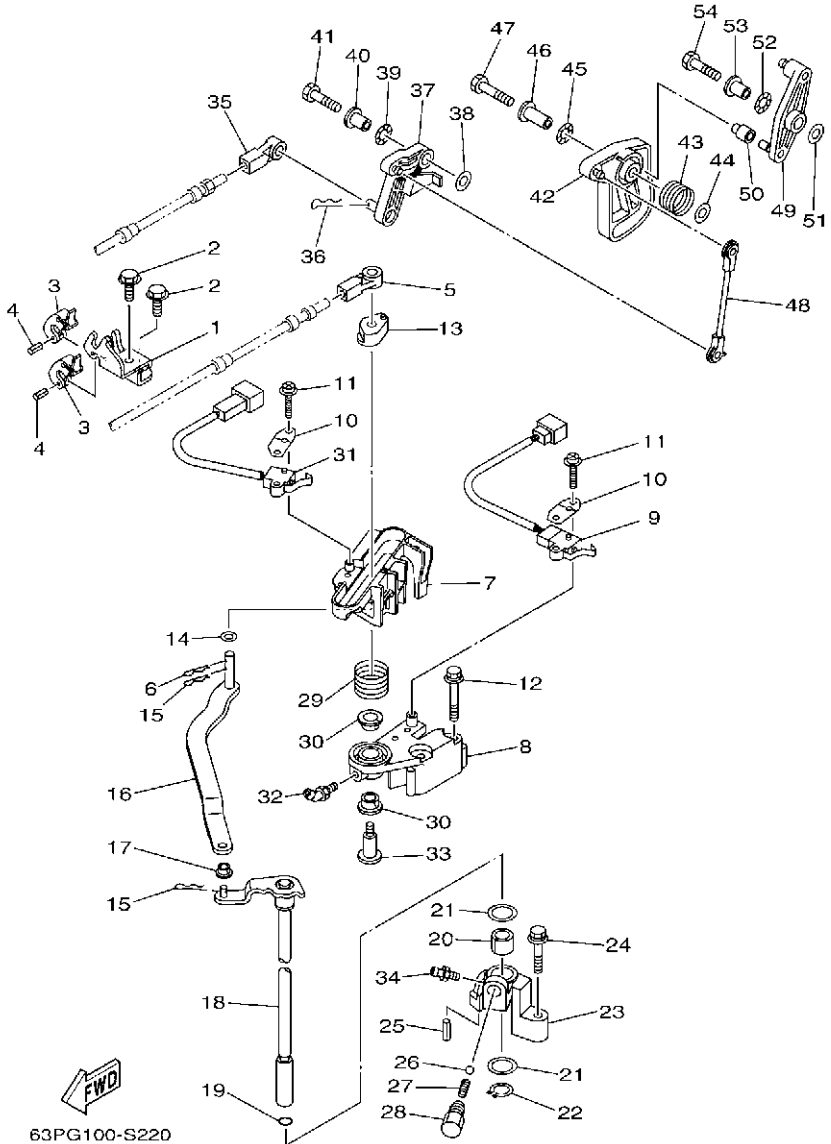


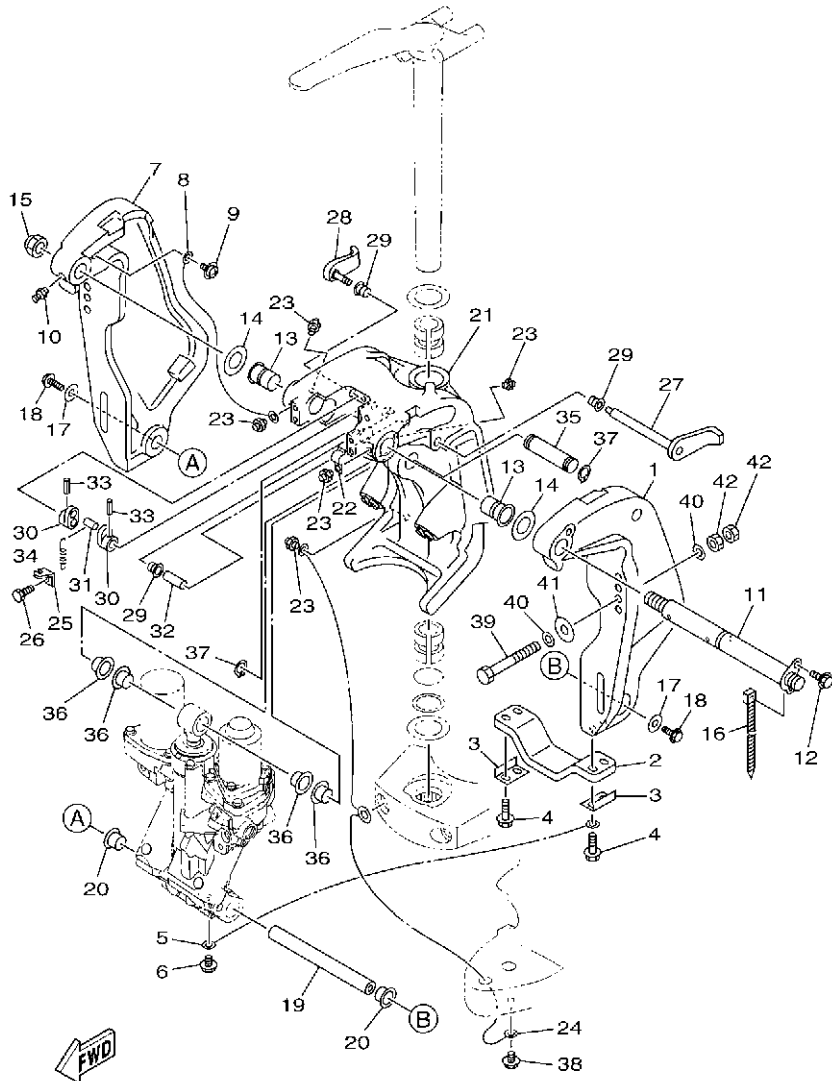
FIG. 22 CONTROL

COMMANDE

REF. NO.	PART NO. N° PIECES	DESCRIPTION DESCRIPTION	63PH	64PH	REMARKS REMARQUES
28	648-42715-00	BUSHING COUSSINET	1	1	
29	90508-20M31	SPRING, TORSION RESSORT, TORSION	1	1	
30	90386-12069	BUSH DOUILLE	2	2	
31	60V-8259F-00	SWITCH ASSY COMMUTATEUR	1	1	
32	93700-06M01	NIPPLE, GREASE PION	1	1	
33	90109-08019	BOLT BOULON	1	1	
34	93700-06M03	NIPPLE, GREASE PION	1	1	
35	6E5-48344-00	CABLE END, REMOTE CONTROL CHAPE CABLE	1	1	
36	90468-18008	CLIP JONC	1	1	
37	63P-42154-10	LEVER, THROTTLE CONTROL LEVIER DE COMMANDE D'AVANCE	1	1	
38	90201-06M31	WASHER, PLATE RONDELLE, PLATE	1	1	
39	90206-10M04	WASHER, WAVE RONDELLE, ONDULEE	1	1	
40	90387-06M29	COLLAR COLLERETTE	1	1	
41	97D95-06025	BOLT, HEXAGON DEEP RECESS VIS HEXAGONAL	1	1	
42	63P-41213-00	CAM, ACCEL. CAME, ACCELERATION	1	1	
43	69J-44135-00	SPRING RESSORT	1	1	
44	90201-06M31	WASHER, PLATE RONDELLE, PLATE	1	1	
45	90206-10M04	WASHER, WAVE RONDELLE, ONDULEE	1	1	
46	90387-06M82	COLLAR COLLERETTE	1	1	
47	97D95-06035	BOLT, HEXAGON DEEP RECESS VIS HEXAGONAL	1	1	
48	63P-41237-00	JOINT, LINK RACCORD	1	1	
49	63P-42157-00	LEVER, THROTTLE LEVIER DE AVANCE	1	1	
50	68V-42171-00	BUSHING COUSSINET	1	1	
51	90201-06M31	WASHER, PLATE RONDELLE, PLATE	1	1	
52	90206-10M04	WASHER, WAVE RONDELLE, ONDULEE	1	1	
53	90387-06M29	COLLAR COLLERETTE	1	1	
54	97D95-06025	BOLT, HEXAGON DEEP RECESS VIS HEXAGONAL	1	1	

FIG. 23 BRACKET 1

SUPPORT 1

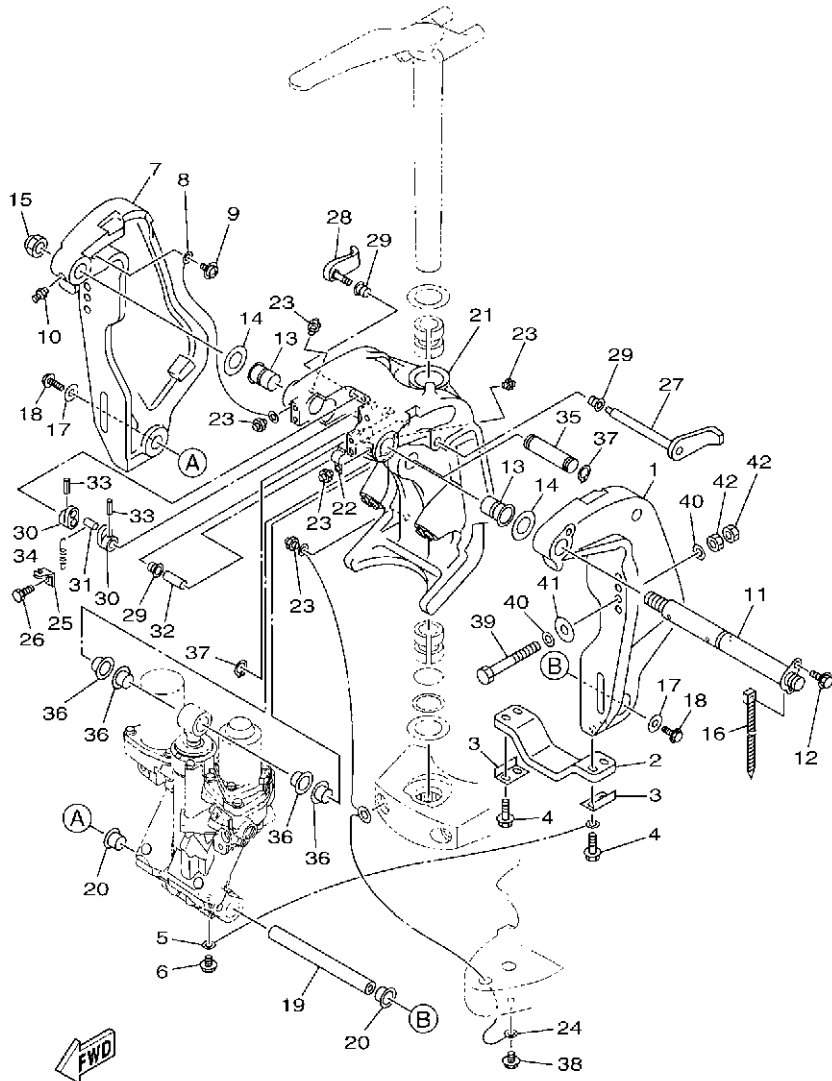


63PG100-S230

REF. NO.	PART NO. N° PIECES	DESCRIPTION DESCRIPTION	63PH	64PH	REMARKS REMARQUES
1	64E-43111-02-8D	BRACKET, CLAMP 1 PRESSE 1	1	1	
2	6G5-45251-02	ANODE ANODE	1	1	
3	6G5-44526-00	PLATE PLAQUE	2	2	
4	97E95-06530	BOLT, HEXAGON W/W DEEP RECESS VIS HEXAGONAL AVC RONDELLE	4	4	
5	6E5-82148-00	WIRE, LEAD 4 FIL 4	1	1	
6	97E95-06510	BOLT, HEXAGON W/W DEEP RECESS VIS HEXAGONAL AVC RONDELLE	1	1	
7	64E-43112-02-8D	BRACKET, CLAMP 2 PRESSE 2	1	1	
8	6E5-82148-00	WIRE, LEAD 4 FIL 4	1	1	
9	97985-06212	SCREW, WITH WASHER VIS, AVEC RONDELLE	1	1	
10	93700-06002	NIPPLE, GREASE PION	1	1	
11	64E-43131-30	BOLT, CLAMP BRACKET BOULON, PRESSE	1	1	FOR TILT LIMIT FOR TILT LIMIT
12	97E95-08520	BOLT, HEXAGON W/W DEEP RECESS VIS HEXAGONAL AVC RONDELLE	1	1	
13	90386-25M31	BUSH DOUILLE	2	2	
14	90201-26M59	WASHER, PLATE RONDELLE, PLATE	2	2	
15	90185-22M11	NUT, SELF-LOCKING ECROU, AUTO-BLOQUANT	1	1	
16	90465-11M10	CLAMP BRIDE	1	1	
17	90201-10060	WASHER, PLATE RONDELLE, PLATE	2	2	
18	90119-10054	BOLT, WITH WASHER BOULON, AVEC RONDELLE	2	2	
19	6BC-43818-00	PIN, LOWER SHOCK MOUNT AXE, INFERIEUR AMORTISSEUR	1	1	
20	90386-22M98	BUSH DOUILLE	2	2	
21	64E-43311-10-8D	BRACKET, SWIVEL 1 SUPPORT, PIVOT 1	1	1	
22	90465-08M63	CLAMP BRIDE	1	1	
23	93700-06002	NIPPLE, GREASE PION	5	5	
24	66K-82149-00	WIRE, LEAD 3 FIL 3	1	1	
25	6G5-43144-00	HOOK, SPRING CROCHET	1	1	
26	97D95-06010	BOLT, HEXAGON DEEP RECESS VIS HEXAGONAL	1	1	
27	6G5-43181-02	LEVER, TILT STOP 1 LEVIER VERROUILLAGE RELEVAGE 1	1	1	

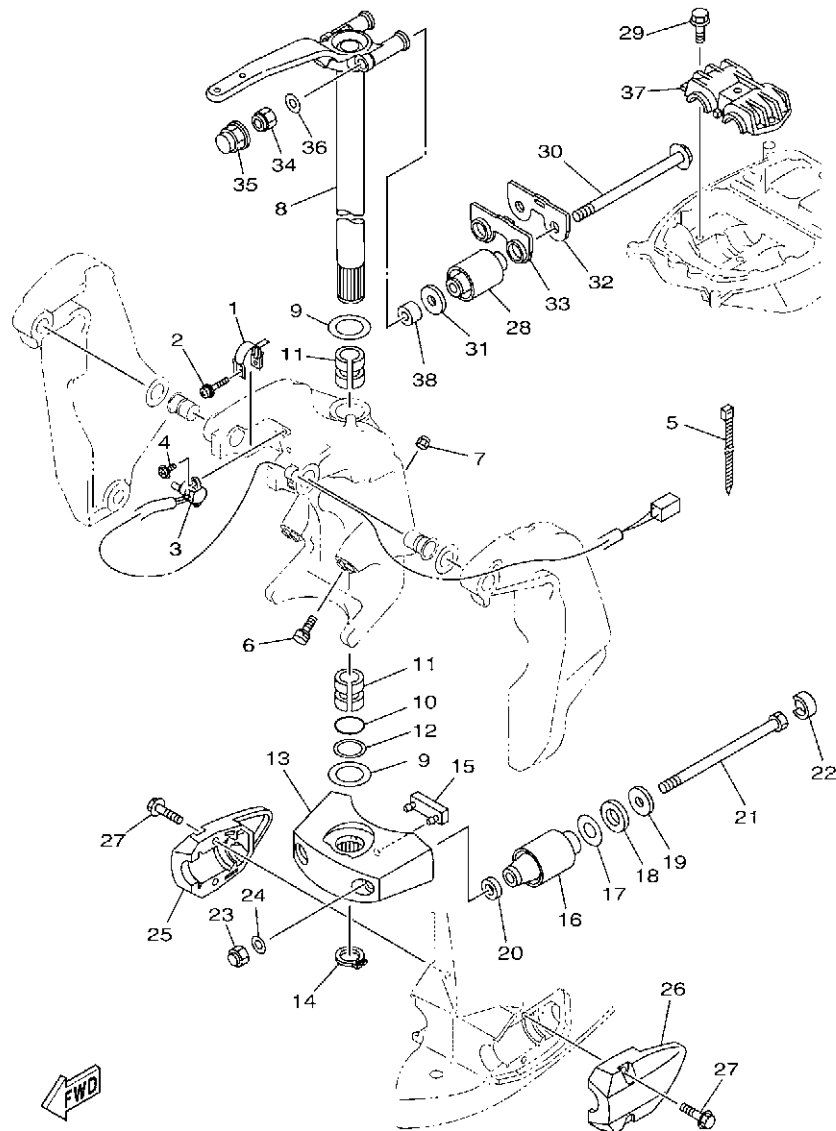
FIG. 23 BRACKET 1

SUPPORT 1



63PG100-S230

REF. NO.	PART NO. N° PIECES	DESCRIPTION DESCRIPTION	63PH	64PH	REMARKS REMARQUES
28	6G5-43185-02	LEVER, TILT STOP 2 LEVIER VERROUILLAGE RELEVAGE 2	1	1	
29	90386-10M16	BUSH DOUILLE	3	3	
30	6G5-43148-00	COLLAR, DISTANCE ENTRETOISE	2	2	
31	90249-06M19	PIN GOUILLE	1	1	
32	90387-10M05	COLLAR COLLERETTE	1	1	
33	91690-30020	PIN, SPRING AGRAFFE	2	2	
34	90506-16003	SPRING, TENSION RESSORT, TENSION	1	1	
35	64E-43126-10	PIN, UPPER SHOCK MOUNT AXE, SUPERIEUR AMORTISSEUR	1	1	
36	90386-22M98	BUSH DOUILLE	4	4	
37	93410-22M11	CIRCLIP CIRCLIP	2	2	
38	95D95-06010	BOLT, FLANGE DEEP RECESS BOULON FIXATION	1	1	
39	90101-12M05	BOLT (L:130MM) BOULON (L:130MM)	4	4	UR L(20.3")
	90101-12M05	BOLT (L:130MM) BOULON (L:130MM)	2	2	UR L(20.3") UR X(25.3")
	90101-12047	BOLT (L:150MM) BOULON (L:150MM)	2	2	UR X(25.3") UR
40	90201-13M01	WASHER, PLATE RONDELLE, PLATE	8	8	
41	90201-12426	WASHER, PLATE RONDELLE, PLATE	4	4	
42	95380-12600	NUT ECROU	8	8	

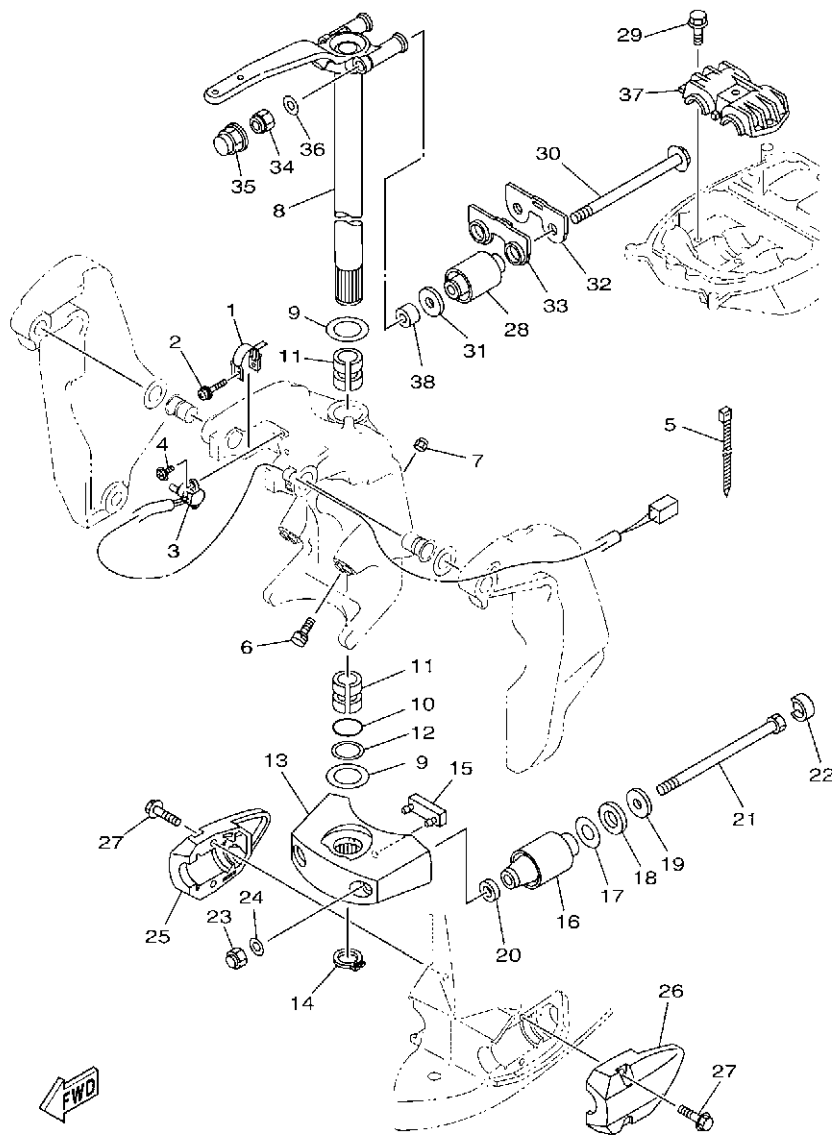


63PH100-T240

FIG. 24 BRACKET 2

SUPPORT 2

REF. NO.	PART NO. N° PIECES	DESCRIPTION DESCRIPTION	63PH	64PH	REMARKS REMARQUES
1	64E-43139-10	CAM, TRIM SENDER VILEBREQVIN TRUM	1	1	
2	90159-05059	SCREW, WITH WASHER VIS, AVEC RONDELLE	1	1	
3	67H-83672-01	TRIM SENDER INCLINER RACCORD	1	1	
4	97985-06216	SCREW, WITH WASHER VIS, AVEC RONDELLE	2	2	
5	90465-11M10	CLAMP BRIDE	3	3	
6	61A-43376-00	BOLT, THRUST RECEIVER BOULON	2	2	
7	95780-10300	NUT, FLANGE ECROU	2	2	
8	6DA-42510-10-8D	STEERING BRACKET ASSY DIRECTION SUPPORT (ENS.)	1	1	
9	90201-38M60	WASHER, PLATE RONDELLE, PLATE	2	2	
10	93210-37MH7	O-RING JOINT TORIQUE	1	1	
11	90386-38M32	BUSH DOUILLE	2	2	
12	90202-40M47	WASHER, PLATE RONDELLE, PLATE	1	1	
13	68V-44551-00-8D	HOUSING, LOWER MOUNT RUBBER 1 BOITIER, SILENT-BLOC INFERIEUR	1	1	
14	93410-37M04	CIRCLIP CIRCLIP	1	1	
15	61A-44575-00	DAMPER, LOWER MOUNT RUBBER SILENT-BLOC, INFERIEUR	1	1	
16	60V-44555-00	MOUNT DAMPER, LOWER SIDE SILENT-BLOC, INFERIEUR LATERAL	2	2	L(20.3") L(20.3")
	63P-44555-00	MOUNT DAMPER, LOWER SIDE SILENT-BLOC, INFERIEUR LATERAL	2	2	X(25.3") X(25.3")
17	90201-35008	WASHER, PLATE RONDELLE, PLATE	2	2	
18	90202-32M19	WASHER, PLATE RONDELLE, PLATE	2	2	
19	90201-16M55	WASHER, PLATE RONDELLE, PLATE	2	2	
20	90201-15M58	WASHER, PLATE RONDELLE, PLATE	2	2	
21	90109-14007	BOLT BOULON	2	2	
22	69J-44533-00	DAMPER, UPPER MOUNT RUBBER COUVERCLE, SUSPENSION INFERIEUR	2	2	
23	90176-14003	NUT, CROWN ECROU BORGNE	2	2	
24	92995-14600	WASHER RONDELLE	2	2	
25	63P-44553-00-8D	COVER, LOWER MOUNT COUVERCLE, SUSPENSION INFERIEUR	1	1	
26	63P-44556-00-8D	COVER, LOWER MOUNT 2 COUVERCLE, SUSPENSION INFERIEUR	1	1	



63PH100-T240

FIG. 24 BRACKET 2

SUPPORT 2

REF. NO.	PART NO. N° PIECES	DESCRIPTION DESCRIPTION	63PH	64PH	REMARKS REMARQUES
27	90119-10058	BOLT, WITH WASHER BOULON, AVEC RONDELLE	4	4	
28	6DA-44514-00	MOUNT DAMPER, UPPER SIDE SILENT-BLOC, SUPERIEUR LATERAL	2	2	
29	90119-10024	BOLT, WITH WASHER BOULON, AVEC RONDELLE	3	3	
30	90105-14009	BOLT, FLANGE BOULON, A COLLERETTE	2	2	
31	90201-16M01	WASHER, PLATE RONDELLE, PLATE	2	2	
32	6DA-44526-00	PLATE PLAQUE	1	1	
33	6DA-44532-00	STOPPER, UPPER MOUNT PLAQUETTE	1	1	
34	90185-14M00	NUT, SELF-LOCKING ECROU, AUTO-BLOQUANT	2	2	
35	6DA-44194-00	CAP CAPUCHON	2	2	
36	92995-14600	WASHER RONDELLE	2	2	
37	63P-44511-00	COVER, UPPER MOUNT COUVERCLE, SUSPENSION SUPERIEUR	1	1	
38	90387-14004	COLLAR COLLERETTE	2	2	

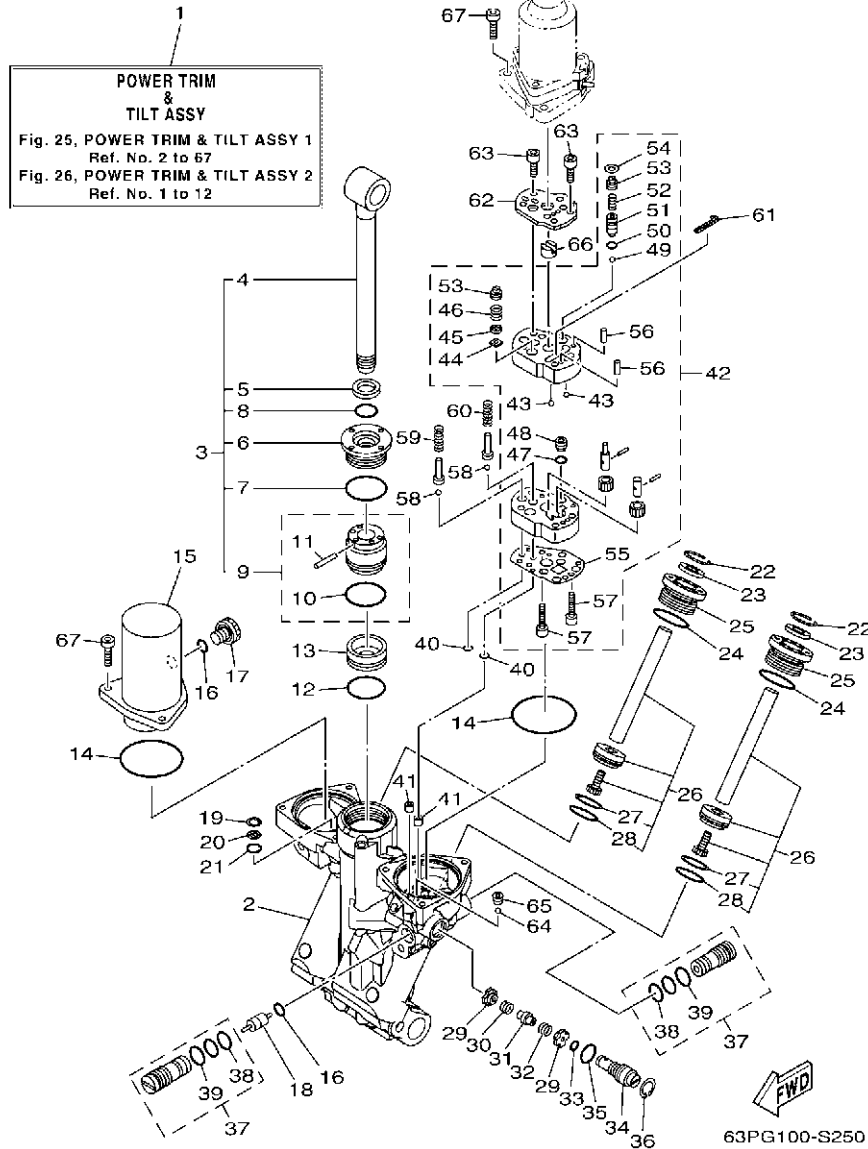


FIG. 25 POWER TRIM & TILT ASSY 1

PUISSANCE PARER ET INCLINER 1

REF. NO.	PART NO. N° PIECES	DESCRIPTION DESCRIPTION	63PH	64PH	REMARKS REMARQUES
1	63P-43800-20	POWER TRIM & TILT ASSY PUISSANCE PARER ET INCLINER (E)	1	1	
2	63P-4380L-20	HOUSING, TRIM & TILT SUB ASSY CARTER	1	1	
3	63P-43810-20	TILT PISTON SUB ASSY INCLINER PISTON AUXILIAIRE(ENS)	1	1	
4	63P-43801-10	.ROD .TIGE	1	1	
5	93106-19N50	.OIL SEAL .JOINT SPY	1	1	
6	63P-43811-20	.SCREW, CYLINDER END .VIS, CYLINDRE RACCORD	1	1	
7	63P-43861-20	.O-RING .JOINT TORIQUE	1	1	
8	63P-43863-10	.O-RING .JOINT TORIQUE	1	1	
9	63P-4380P-20	.PISTON SUB ASSY .PISTON AUXILIAIRE (ENS.)	1	1	
10	6H1-43862-00	.O-RING .JOINT TORIQUE	1	1	
11	91609-16010	.PIN, SPRING .AXE DE RESSORT	1	1	
12	6H1-43862-00	O-RING JOINT TORIQUE	1	1	
13	63P-43814-20	PISTON, FREE PISTON	1	1	
14	93210-68N50	O-RING JOINT TORIQUE	2	2	
15	63P-4382C-20	BODY, RESERVOIR 2 CORPS 2	1	1	
16	93210-09165	O-RING JOINT TORIQUE	2	2	
17	6CJ-43829-10	PLUG, RESERVOIR BOUCHON	1	1	
18	6H1-43841-11	PISTON, SHUTTLE PISTON	1	1	
19	63P-43876-10	RING, SNAP RESSORT	1	1	
20	63P-43816-10	FILTER 1 FILTRE 1	1	1	
21	93210-11N52	O-RING JOINT TORIQUE	1	1	
22	63P-43875-20	RING, SNAP RESSORT	2	2	
23	63P-43822-20	SEAL, TRIM DUST JOINT	2	2	
24	63P-43862-10	O-RING JOINT TORIQUE	2	2	
25	63P-43821-20	SCREW, TRIM CYLINDER END VIS	2	2	
26	63P-43820-20	TRIM PISTON SUB ASSY PARER PISTON AUXILIAIRE (ENS.)	2	2	
27	62X-43871-00	.RING, BACK UP .SEGMENT	1	1	

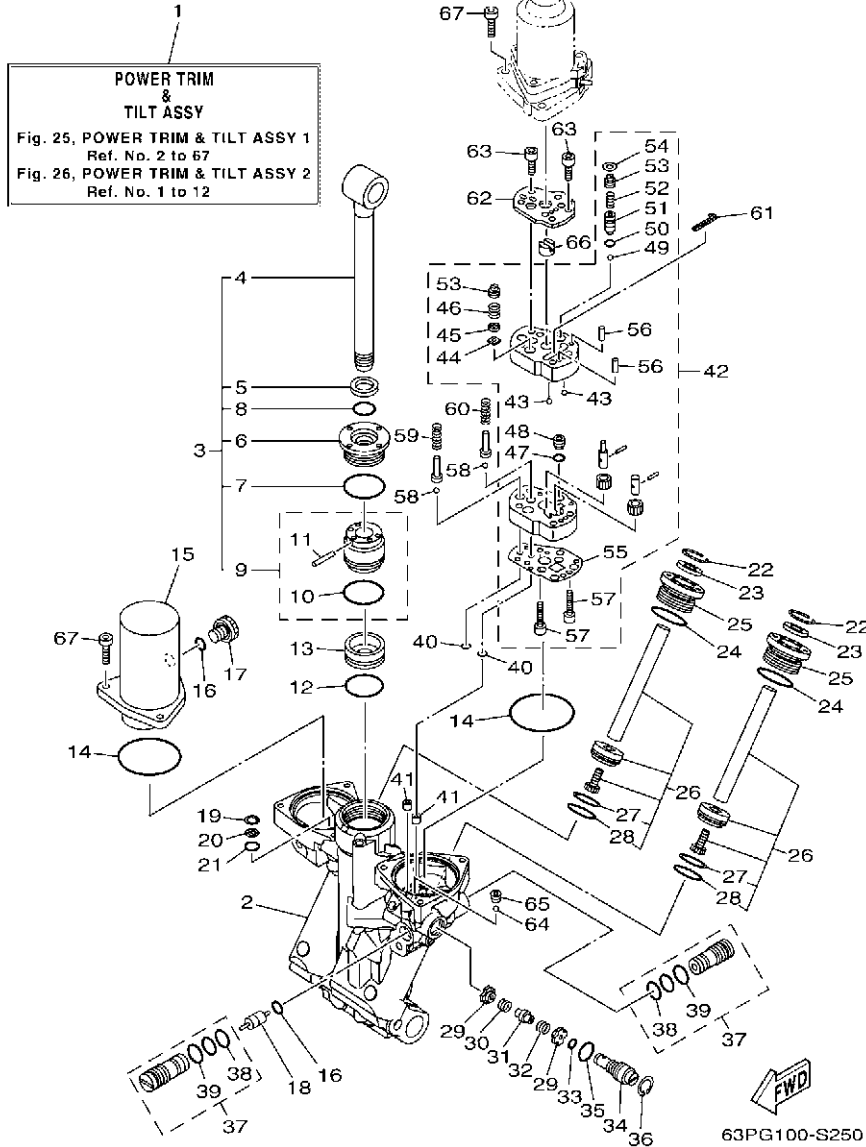


FIG. 25 POWER TRIM & TILT ASSY 1

PUISSANCE PARER ET INCLINER 1

REF. NO.	PART NO. N° PIECES	DESCRIPTION DESCRIPTION	63PH	64PH	REMARKS REMARQUES
28	93210-29375	.O-RING .JOINT TORIQUE	1	1	
29	63P-43847-10	SEAT, MANUAL VALVE SIEGE	2	2	
30	63P-43854-10	SPRING, MANUAL RELEASE RESSORT	1	1	
31	63P-4382A-10	ADAPTOR 1 ADAPTEUR 1	1	1	
32	63P-4384H-10	SPRING RESSORT	1	1	
33	69J-4389J-00	O-RING JOINT TORIQUE	1	1	
34	63P-43845-20	SCREW, MANUAL RELEASE VIS	1	1	
35	93210-12327	O-RING JOINT TORIQUE	1	1	
36	61A-43876-00	RING, SNAP RESSORT	1	1	
37	63P-43802-20	VALVE SUB ASSY CLAPET AUXILIAIRE (ENS.)	2	2	
38	93210-12N52	.O-RING .JOINT TORIQUE	1	1	
39	6H1-43866-01	.O-RING .JOINT TORIQUE	1	1	
40	93210-064A5	O-RING JOINT TORIQUE	2	2	
41	63P-4381C-20	FILTER 3 FILTRE 3	2	2	
42	63P-43830-20	GEAR PUMP ASSY POMPE A PIGNON (ENS.)	1	1	
43	93503-16003	.BALL .BILLES	2	2	
44	6H1-4384G-11	.SEAL, RELIEF VALVE .JOINT	1	1	
45	6H1-43844-10	.PIN, VALVE SUPPORT .GOUPILLE	1	1	
46	6H1-43856-10	.SPRING, DOWN RELIEF .RESSORT	1	1	
47	93210-07N51	.O-RING .JOINT TORIQUE	1	1	
48	63P-43851-20	.SEAT, RELIEF VALVE SIEGE	1	1	
49	93501-08001	.BALL .BILLE	1	1	
50	93210-064A5	.O-RING .JOINT TORIQUE	1	1	
51	63P-43844-20	.PIN, VALVE SUPPORT .GOUPILLE	1	1	
52	69J-43855-00	.SPRING, UP RELIEF .RESSORT	1	1	
53	63P-43843-10	.SCREW, VALVE LOCK .VIS	2	2	
54	63P-43338-10	.WASHER, WAVE .RONDELLE, ONDULEE	1	1	

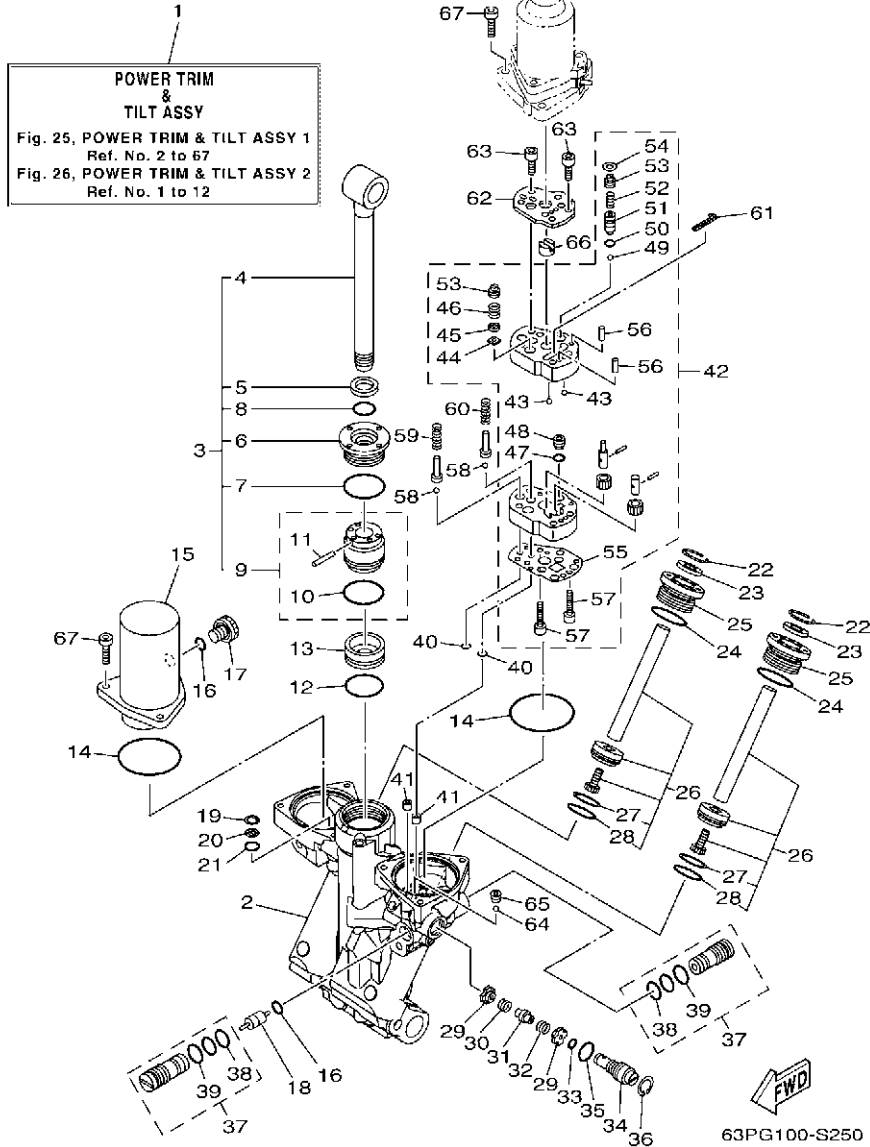


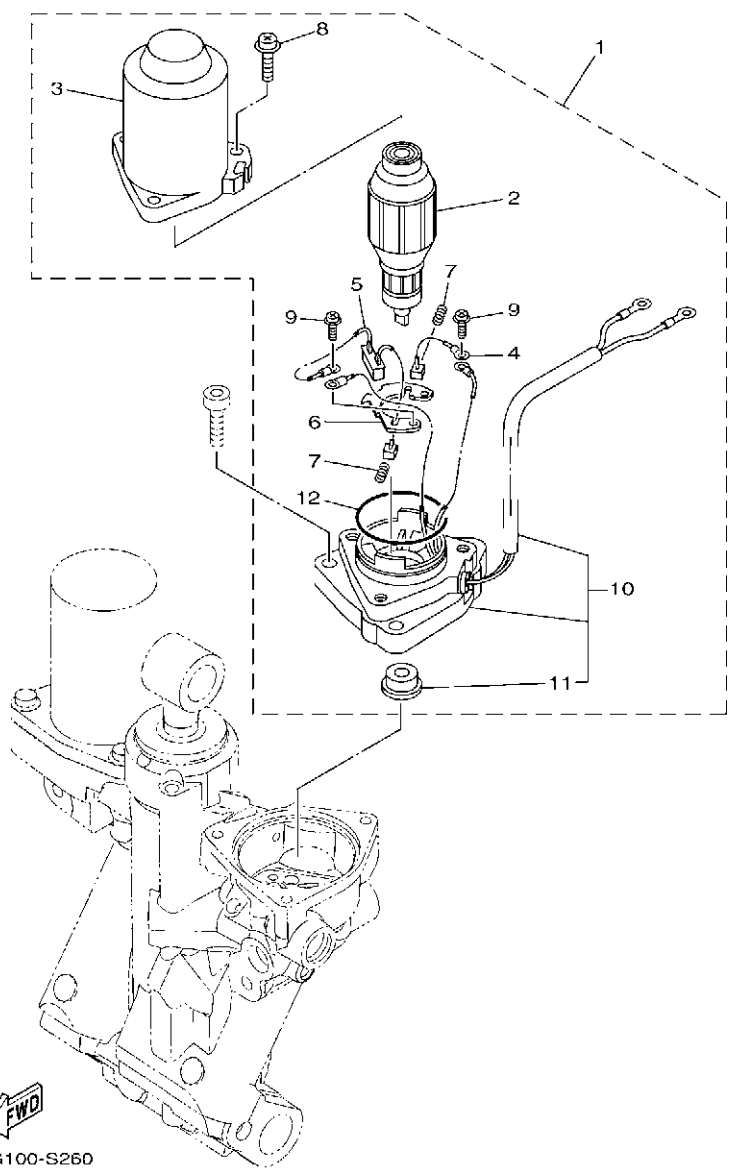
FIG. 25 POWER TRIM & TILT ASSY 1

PUISSANCE PARER ET INCLINER 1

REF. NO.	PART NO. N° PIECES	DESCRIPTION DESCRIPTION	63PH	64PH	REMARKS REMARQUES
55	63P-4384G-20	.SEAL, RELIEF VALVE .JOINT	1	1	
56	93604-10011	.PIN, DOWEL .CLAVETTE	2	2	
57	91312-04020	.BOLT, HEXAGON SOCKET HEAD .BOULON, TETE HEXAGONALE CREUSE	2	2	
58	93501-08001	BALL BILLE	2	2	
59	63P-43857-10	SPRING, ABSORBER VALVE RESSORT	1	1	
60	63P-4385H-10	SPRING, SEAL RESSORT	1	1	
61	6CJ-43816-00	FILTER 1 FILTRE 1	1	1	
62	63P-4381J-10	PLATE PLAQUE	1	1	
63	91312-05035	BOLT, HEXAGON SOCKET HEAD BOULON, TETE HEXAGONALE CREUSE	4	4	
64	93505-32038	BALL BILLE	1	1	
65	61A-43878-00	BOLT, SOCKET BOULON	1	1	
66	69J-43831-00	CONNECTOR, SHAFT RACCORD	1	1	
67	91380-06025	BOLT BOULON	6	6	

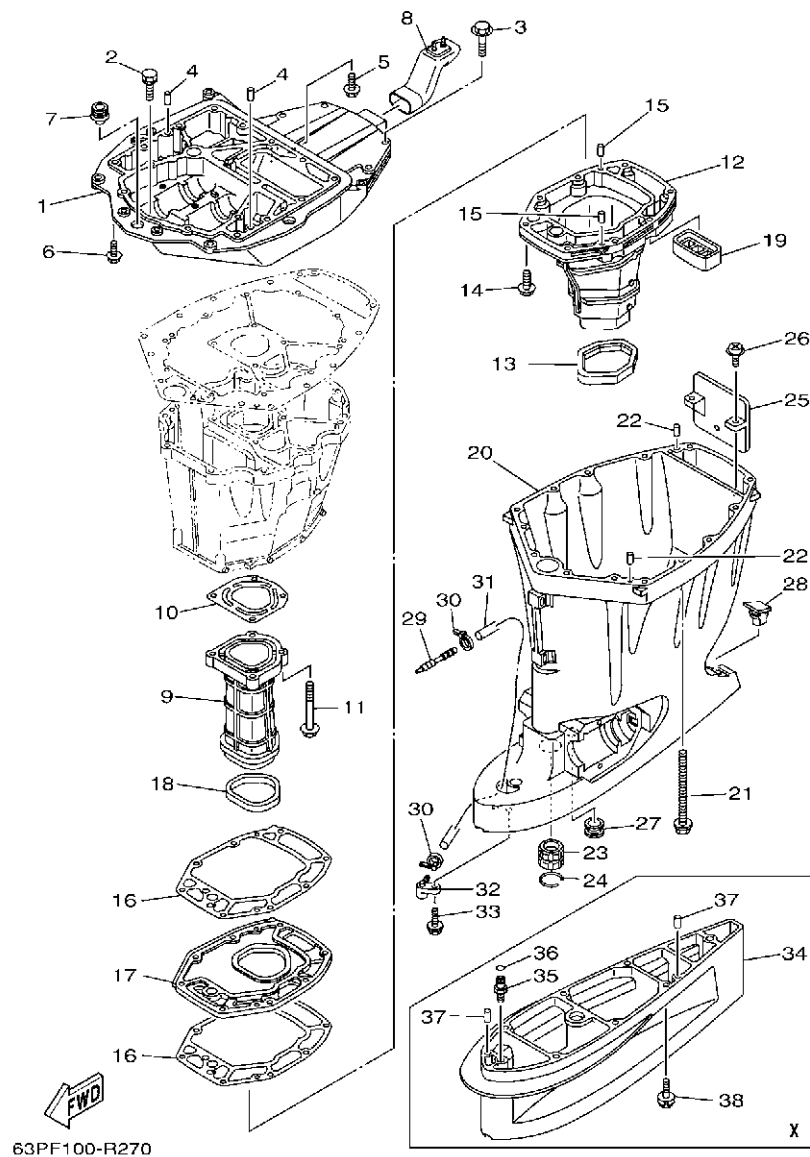
FIG. 26 POWER TRIM & TILT ASSY 2

PUISSANCE PARER ET INCLINER 2



63PG100-S260

REF. NO.	PART NO. N° PIECES	DESCRIPTION DESCRIPTION	63PH	64PH	REMARKS REMARQUES
1	63P-43880-22	MOTOR ASSY MOTEUR (ENS.)	1	1	
2	6EK-43805-01	.ARMATURE ASSY .INDUIT (ENS.)	1	1	
3	6EK-43804-11	.STATOR ASSY .STATOR (ENS.)	1	1	
4	6EK-43892-00	.BRUSH 2 .BALAI 2	1	1	
5	63P-82181-20	.CIRCUIT BREAKER COMP. .RUPTEUR COMPLET	1	1	
6	6EK-4380F-00	.PLATE, BRUSH HOLDER .PLAQUE	1	1	
7	62X-4386K-00	.SPRING, BRUSH .RESSORT, BALAI	2	2	
8	63P-43879-10	.SCREW, WITH WASHER .VIS, AVEC RONDELLE	3	3	
9	97602-04316	.SCREW, PAN HEAD WITH WASHER .VIS, AVEC RONDELLE	2	2	
10	63P-43881-21	.FRAME, END .BATI	1	1	
11	6EK-43882-00	.OIL SEAL ..JOINT SPI	1	1	
12	93210-554A9	.O-RING .JOINT TORIQUE	1	1	



63PF100-R270

FIG. 27 UPPER CASING

FOURREAU

REF. NO.	PART NO. N° PIECES	DESCRIPTION DESCRIPTION	63PH	64PH	REMARKS REMARQUES
1	63P-41137-05	GUIDE, EXHAUST COLLECTEUR D'ÉCHAPPEMENT	1	1	
2	90119-08102	BOLT, WITH WASHER BOULON, AVEC RONDELLE	2	2	
3	97E75-10545	BOLT, HEXAGON W/W DEEP RECESS VIS HEXAGONAL AVEC RONDELLE	4	4	
4	93608-16M16	PIN, DOWEL AXE	2	2	
5	90119-08M58	BOLT, WITH WASHER BOULON, AVEC RONDELLE	3	3	
6	97E75-10535	BOLT, HEXAGON W/W DEEP RECESS VIS HEXAGONAL AVEC RONDELLE	4	4	
7	6E5-42724-00	GROMMET PASSE-FIL	1	1	
8	6DA-42769-00	SEAL, RUBBER BOURRELET, CAOUTCHOUC	1	1	
9	63P-41131-02	MANIFOLD, EXT. 1 PIPE D'ÉCHAPPEMENT	1	1	
10	63P-41133-A0	GASKET, EXHAUST MANIFOLD 1 JOINT, PIPE D'ÉCHAPPEMENT	1	1	
11	97E75-08560	BOLT, HEXAGON W/W DEEP RECESS VIS HEXAGONAL AVEC RONDELLE	4	4	
12	63P-14711-02	MUFFLER 1 POT D'ÉCHAPPEMENT 1	1	1	
13	69J-45123-00	GASKET, MUFFLER JOINT, POT DE DETENTE	1	1	
14	97E75-08535	BOLT, HEXAGON W/W DEEP RECESS VIS HEXAGONAL AVEC RONDELLE	8	8	
15	93606-19M23	PIN, DOWEL GOUPILLE	2	2	
16	63P-41134-A1	GASKET, EXHAUST MANIFOLD JOINT, PIPE D'ÉCHAPPEMENT	2	2	
17	63P-45181-02	PLATE PLAQUETTE	1	1	
18	63P-41138-00	SEAL, EXT. 1 JOINT DE GROUPE 1	1	1	
19	69J-45127-00	SEAL JOINT	1	1	
20	63P-45111-00-8D	CASING, UPPER FOURREAU	1	1	
21	90119-10007	BOLT, WITH WASHER BOULON, AVEC RONDELLE	8	8	
22	93608-16M16	PIN, DOWEL AXE	2	2	
23	6E5-45318-00	BUSHING, DRIVE SHAFT DOUILLE, ARBRE MOTEUR	1	1	
24	93420-36M01	CIRCLIP CIRCLIP, TYPE S	1	1	
25	69J-14624-01	COVER, EXHAUST CACHE D'ÉCHAPPEMENT	1	1	
26	97980-06216	SCREW, WITH WASHER VIS, AVEC RONDELLE	2	2	
27	6E5-44366-00	DAMPER, WATER SEAL 2 JOINT, TUBE D'EAU 2	1	1	

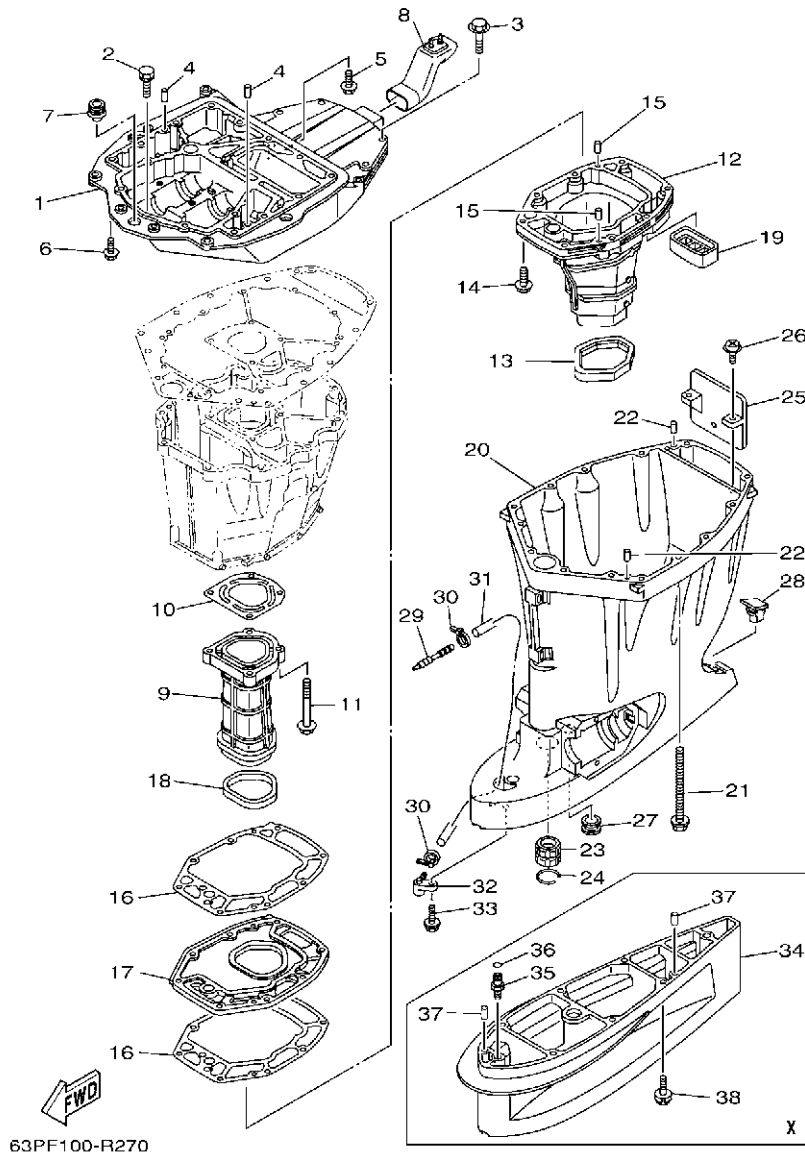


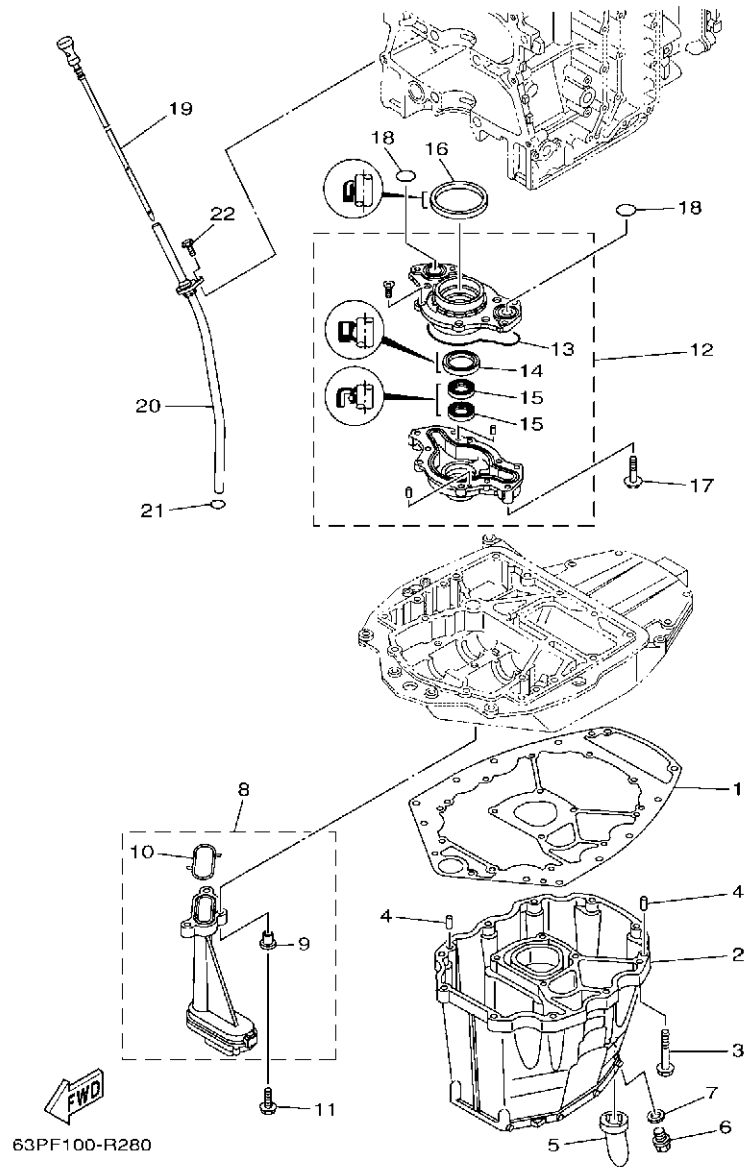
FIG. 27 UPPER CASING

FOURREAU

REF. NO.	PART NO. N° PIECES	DESCRIPTION DESCRIPTION	63PH	64PH	REMARKS REMARQUES
28	6C5-45155-00	CAP CAPUCHON	1	1	
29	6E5-83558-00	END, NIPPLE RACCORD DE NIPPLE	1	1	
30	90465-11M10	CLAMP BRIDE	2	2	
31	90445-070F1	HOSE (L950) DURITE (L950)	1	1	
32	63P-45379-00	NIPPLE, HOSE RACCORD D'ESSENCE	1	1	
33	90119-06M18	BOLT, WITH WASHER BOULON, AVEC RONDELLE	1	1	
34	63P-45211-00-8D	EXTENSION EXTENSION	1	1	X(25.3")
35	63P-45378-00	NIPPLE, HOSE RACCORD, TUYAU	1	1	X(25.3") X(25.3")
36	93210-07003	O-RING JOINT TORIQUE	1	1	X(25.3") X(25.3")
37	93608-16M16	PIN, DOWEL AXE	2	2	X(25.3") X(25.3")
38	97E95-10645	BOLT, HEXAGON W/W DEEP RECESS VIS HEXAGONAL AVC RONDELLE	6	6	X(25.3") X(25.3")

FIG. 28 OIL PAN

VENTILATEUR D'HUILE



63PF100-R280

REF. NO.	PART NO. N° PIECES	DESCRIPTION DESCRIPTION	63PH	64PH		REMARKS REMARQUES
1	63P-15312-02	GASKET, OIL PAN JOINT DE VENTILATEUR D'HUILE	1	1		
2	63P-15311-11	OIL PAN VENTILATEUR D'HUILE	1	1		
3	97E75-08535	BOLT, HEXAGON W/W DEEP RECESS VIS HEXAGONAL AVC RONDELLE	10	10		
4	93608-16M16	PIN, DOWEL AXE	2	2		
5	63P-15316-00	DAMPER 1 AMORTISSEUR 1	1	1		
6	90340-14M06	PLUG, STRAIGHT SCREW PLOT, FILETE DROIT	1	1		
7	90430-14M09	GASKET JOINT	1	1		
8	63P-13411-00	STRAINER, OIL FILTRE, HUILE	1	1		
9	90387-06263	.COLLAR .COLLERETTE	3	3		
10	63P-13415-00	.SEAL, OIL STRAINER .JOINT, FILTRE A HUILE	1	1		
11	95812-06025	BOLT, FLANGE BOULON	3	3		
12	63P-13300-02	OIL PUMP ASSY POMPE A HUILE COMPLETE	1	1		
13	63P-13329-00	.GASKET, PUMP COVER .JOINT, COUVERCLE DE POMPE	1	1		
14	6AW-13119-00	.OIL SEAL .JOINT SPY	1	1		
15	69J-13631-00	.OIL SEAL .JOINT SPY	2	2		
16	69J-11355-00	SEAL, CYLINDER 1 JOINT, SPY CYLINDRE	1	1		
17	97E95-06540	BOLT, HEXAGON W/W DEEP RECESS VIS HEXAGONAL AVC RONDELLE	4	4		
18	93210-25552	O-RING JOINT TORIQUE	2	2		
19	63P-15362-10	PLUG, OIL LEVEL PLOT, NIVEAU D'HUILE	1	1		
20	63P-15377-10	GUIDE, INLET GUIDE D'ADMISSION	1	1		
21	93210-19MJ3	O-RING JOINT TORIQUE	1	1		
22	95D95-06016	BOLT, FLANGE DEEP RECESS BOULON FIXATION	1	1		

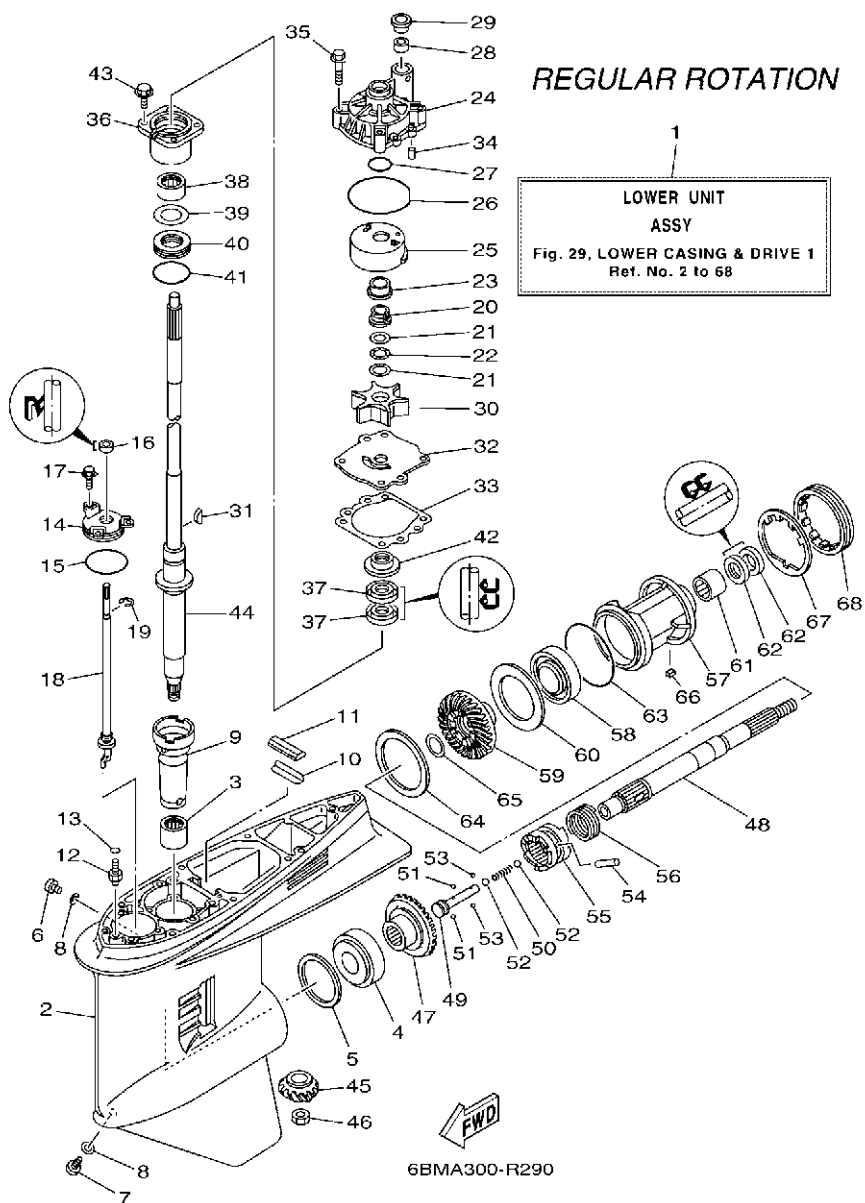


FIG. 29 LOWER CASING & DRIVE 1

BOITIER D'HELICE TRANSMISSION1

REF. NO.	PART NO. N° PIECES	DESCRIPTION DESCRIPTION	63PH	64PH	REMARKS REMARQUES
1	63P-45300-05-8D	LOWER UNIT ASSY UNITE INFERIEURE (ENS.)	1		L(20.3"),RH
	63P-45300-15-8D	LOWER UNIT ASSY UNITE INFERIEURE (ENS.)	1		L(20.3"),RH X(25.3"),RH
2	6J9-45301-07-8D	CASING, LOWER BEQUILLE	1		X(25.3"),RH
3	93311-928U5	BEARING ROULEMENT	1		
4	93332-000V3	BEARING ROULEMENT	1		
5	6G5-45567-01	SHIM (T:0.10MM) CALE (T:0.10MM)	1		UR
	6G5-45567-10	SHIM (T:0.12MM) CALE (T:0.12MM)	1		UR
	6G5-45567-20	SHIM (T:0.15MM) CALE (T:0.15MM)	1		UR
	6G5-45567-30	SHIM (T:0.18MM) CALE (T:0.18MM)	1		UR
	6G5-45567-40	SHIM (T:0.30MM) CALE (T:0.30MM)	1		UR
	6G5-45567-50	SHIM (T:0.40MM) CALE (T:0.40MM)	1		UR
	6G5-45567-60	SHIM (T:0.50MM) CALE (T:0.50MM)	1		UR
6	90340-08002	PLUG, STRAIGHT SCREW PLOT, FILETE DROIT	1		
7	688-45341-10	PLUG, DRAIN BOUCHON DE VIDANGE	1		
8	90430-08003	GASKET JOINT	2		
9	6G5-45536-01	SLEEVE, DRIVE SHAFT MANCHON, ARBRE MOTEUR	1		
10	663-45376-00	GUIDE, SEAL DAMPER BUTEE, JOINT CAOUTCHOUC	1		
11	688-45375-00	DAMPER, SEAL BOURRELET, CAOUTCHOUC	1		
12	63P-45378-00	NIPPLE, HOSE RACCORD, TUYAU	1		
13	93210-07003	O-RING JOINT TORIQUE	1		
14	6E5-45321-00	PLATE PLAQUETTE	1		
15	93210-58144	O-RING JOINT TORIQUE	1		
16	93106-09014	OIL SEAL JOINT SPY	1		
17	90119-06M10	BOLT, WITH WASHER BOULON, AVEC RONDELLE	3		
18	63P-44150-01	SHIFT CAM ASSY CAME D'INVERSION	1		L(20.3"),RH L(20.3"),RH
	63P-44150-11	SHIFT CAM ASSY CAME D'INVERSION	1		X(25.3"),RH X(25.3"),RH
19	99001-08600	CIRCLIP CIRCLIP	1		

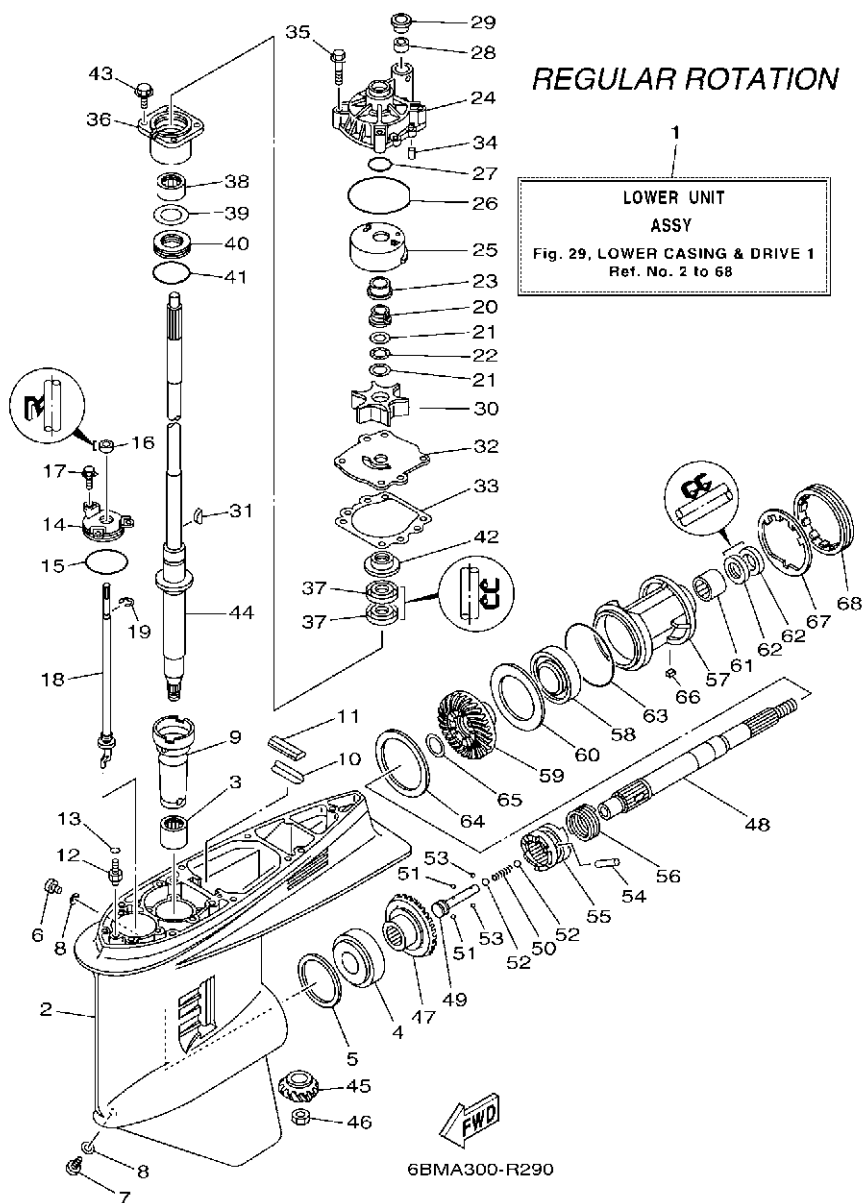


FIG. 29 LOWER CASING & DRIVE 1

BOITIER D'HELICE TRANSMISSION1

REF. NO.	PART NO. N° PIECES	DESCRIPTION DESCRIPTION	63PH	64PH	REMARKS REMARQUES
20	61A-45538-00	SPACER 1 ENTRETOISE	1		
21	90201-22M01	WASHER, PLATE RONDELLE, PLATE	2		
22	90206-22M19	WASHER, WAVE RONDELLE, ONDULEE	1		
23	61A-45527-00	COLLAR, DRIVE SHAFT ENTRETOISE	1		
24	61A-44311-01	HOUSING, WATER PUMP CORPS, POMPE A EAU	1		
25	61A-44322-02	INSERT, CARTRIDGE CUVETTE	1		
26	93210-86M38	O-RING JOINT TORIQUE	1		
27	93210-37160	O-RING JOINT TORIQUE	1		
28	6E5-44365-00	DAMPER, WATER SEAL 1 JOINT, TUBE D'EAU 1	1		
29	6E5-44312-00	COVER, WATER PUMP HOUSING COUVERCLE	1		
30	6E5-44352-01	IMPELLER TURBINE	1		
31	90280-04M05	KEY, WOODRUFF CLAVETTE, DEMI-LUNE	1		
32	6G5-44323-01	OUTER PLATE, CARTRIDGE PLAQUE EXTERIEURE	1		
33	6E5-44315-A0	GASKET, WATER PUMP JOINT, POMPE A EAU	1		
34	93606-12019	PIN, DOWEL GOUPILLE	2		
35	90119-08M14	BOLT, WITH WASHER BOULON, AVEC RONDELLE	4		
36	6E5-45331-00-9S	HOUSING, BEARING FLASQUE, ROULEMENT	1		
37	93101-28M16	OIL SEAL JOINT SPY	2		
38	93317-330U2	BEARING ROULEMENT	1		
39	6E5-45587-01	SHIM (T:0.10MM) CALE (T:0.10MM)	1		UR UR
	6E5-45587-10	SHIM (T:0.12MM) CALE (T:0.12MM)	1		UR UR
	6E5-45587-20	SHIM (T:0.15MM) CALE (T:0.15MM)	1		UR UR
	6E5-45587-30	SHIM (T:0.18MM) CALE (T:0.18MM)	1		UR UR
	6E5-45587-40	SHIM (T:0.30MM) CALE (T:0.30MM)	1		UR UR
	6E5-45587-50	SHIM (T:0.40MM) CALE (T:0.40MM)	1		UR UR
	6E5-45587-60	SHIM (T:0.50MM) CALE (T:0.50MM)	1		UR UR
40	93341-930V2	BEARING CERVEAUX DE DIRECTION	1		

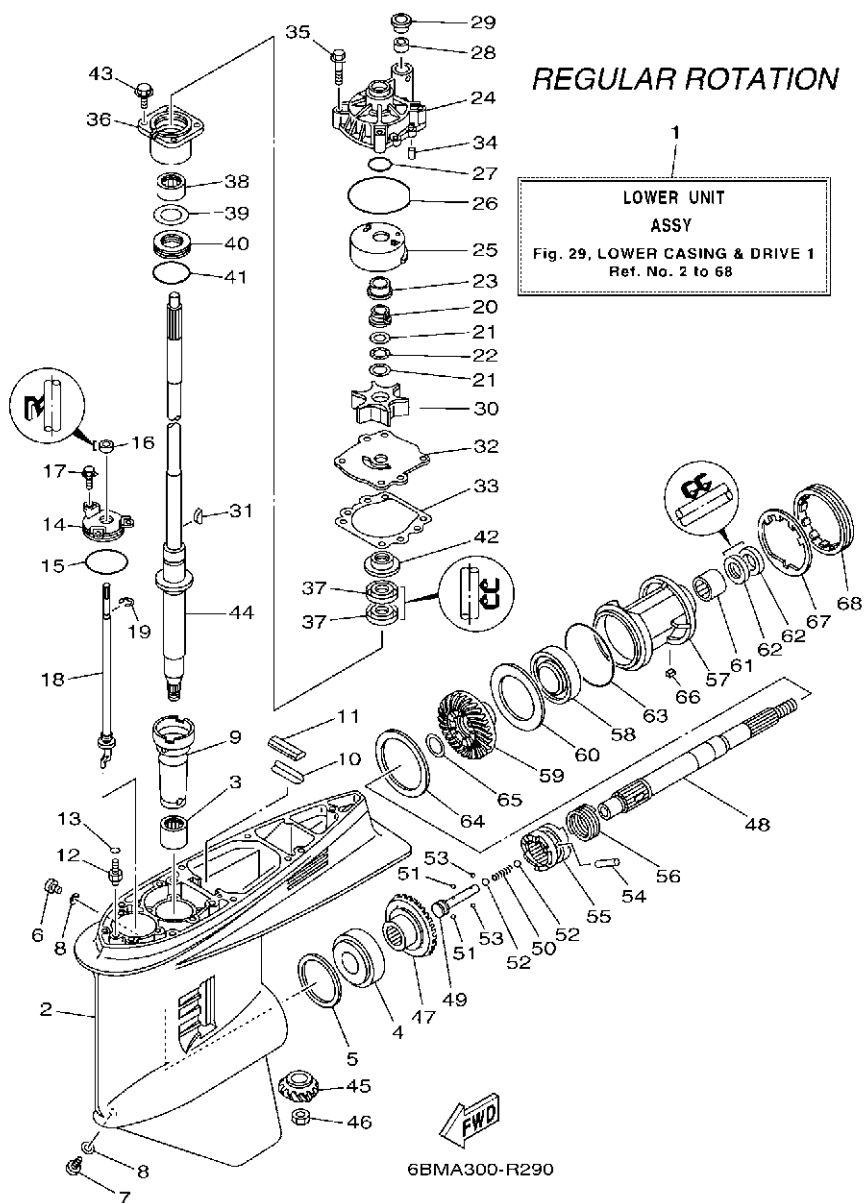


FIG. 29 LOWER CASING & DRIVE 1

BOITIER D'HELICE TRANSMISSION1

REF. NO.	PART NO. N° PIECES	DESCRIPTION DESCRIPTION	63PH	64PH	REMARKS REMARQUES
41	93210-55M14	O-RING JOINT TORIQUE	1		
42	6E5-45344-00	COVER, OIL SEAL FLASQE, JOINT D'HUILE	1		
43	97E95-08525	BOLT, HEXAGON W/W DEEP RECESS VIS HEXAGONAL AVC RONDELLE	4		
44	63P-45501-01	DRIVE SHAFT COMP. ARBRE MOTEUR COMP.	1		L(20.3")
	63P-45501-11	DRIVE SHAFT COMP. ARBRE MOTEUR COMP.	1		X(25.3") X(25.3")
45	63P-45551-00	PINION (14T) PIGNON D'ATTAQUE (14D)	1		
46	90170-16M01	NUT ECROU	1		
47	6EH-45560-00	GEAR 1 (28T) PIGNON 1 (28T)	1		
48	6J9-45611-01	SHAFT, PROPELLER ARBRE, HELICE	1		
49	6E5-45634-02	SLIDE, SHIFT CONTRE-POUSSOIR	1		
50	90501-16M37	SPRING, COMPRESSION RESSORT, COMPRESSION	1		
51	93507-32009	BALL BILLE	2		
52	93511-32017	BALL BILLES	2		
53	93503-16003	BALL BILLES	2		
54	90250-08M07	PIN, STRAIGHT GOUPILLE, DROITE	1		
55	6DA-45631-00	CLUTCH, DOG CRABOT	1		
56	6E5-45633-01	RING, CROSS PIN JONC, GOUPILLE CRABOT	1		
57	6J9-45332-00-CA	HOUSING, BEARING FLASQUE, ROULEMENT	1		
58	93306-209U0	BEARING ROULEMENT	1		
59	6EH-45571-00	GEAR 2 (28T) PIGNON 2 (28T)	1		
60	6G5-45576-10	WASHER, THRUST 2 RONDELLE DE CALAGE 2	1		
61	93315-43061	BEARING ROULEMENT	1		
62	93101-30M17	OIL SEAL JOINT SPY	2		
63	93210-97M55	O-RING JOINT TORIQUE	1		
64	6G5-45577-02	SHIM (T:0.10MM) CALE (T:0.10MM)	1		UR UR
	6G5-45577-10	SHIM (T:0.12MM) CALE (T:0.12MM)	1		UR UR
	6G5-45577-20	SHIM (T:0.15MM) CALE (T:0.15MM)	1		UR UR

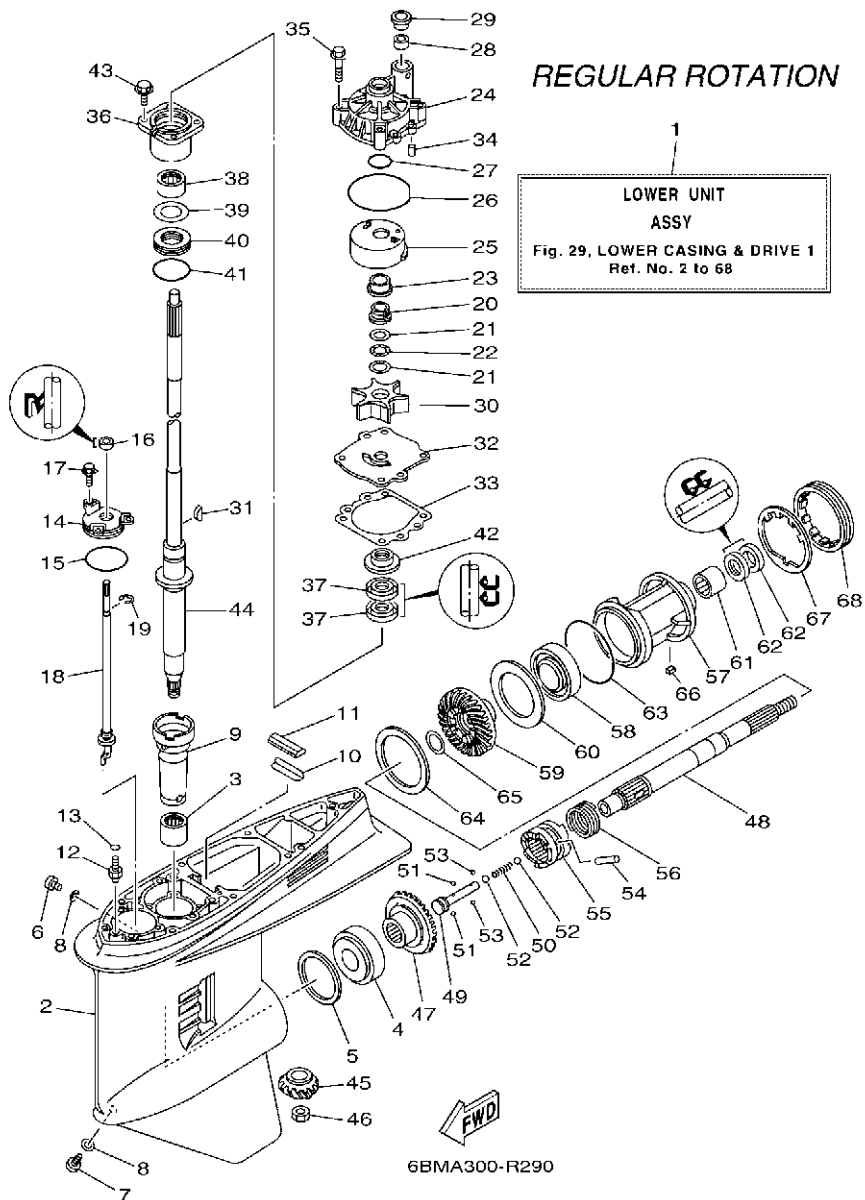


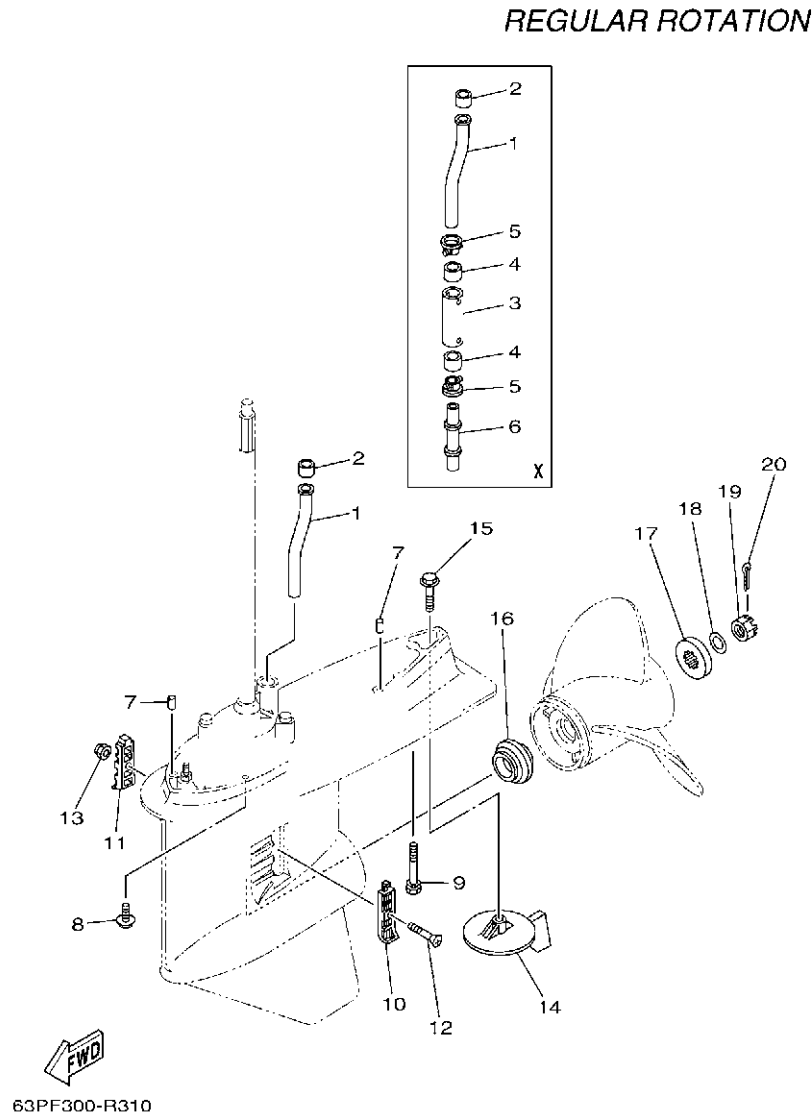
FIG. 29 LOWER CASING & DRIVE 1

BOITIER D'HELICE TRANSMISSION1

REF. NO.	PART NO. N° PIECES	DESCRIPTION DESCRIPTION	63PH	64PH	REMARKS REMARQUES
64	6G5-45577-30	SHIM (T:0.18MM)	1		UR
		CALE (T:0.18MM)			UR
	6G5-45577-40	SHIM (T:0.30MM)	1		UR
		CALE (T:0.30MM)			UR
	6G5-45577-50	SHIM (T:0.40MM)	1		UR
		CALE (T:0.40MM)			UR
	6G5-45577-60	SHIM (T:0.50MM)	1		UR
		CALE (T:0.50MM)			UR
65	90201-30M92	WASHER, PLATE RONDELLE, PLATE	1		
66	90282-04M00	KEY, STRAIGHT CLAVETTE, DROITE	1		
67	6G5-45383-01	WASHER, CLAW FREIN D'ECROU	1		
68	6G5-45384-02	NUT ECROU	1		

FIG. 30 LOWER CASING & DRIVE 2

BOITIER D'HELICE TRANSMISSION2



REF. NO.	PART NO. N° PIECES	DESCRIPTION DESCRIPTION	63PH	64PH	REMARKS REMARQUES
1	63P-44361-00	TUBE, WATER 1 TUBE D'EAU 1	1		
2	6E5-44365-00	DAMPER, WATER SEAL 1 JOINT, TUBE D'EAU 1	1		
3	63P-44362-00	TUBE, WATER 2 TUBE D'EAU 2	1		X(25.3") X(25.3")
4	6E5-44365-00	DAMPER, WATER SEAL 1 JOINT, TUBE D'EAU 1	2		X(25.3") X(25.3")
5	6E5-44312-00	COVER, WATER PUMP HOUSING COUVERCLE	2		X(25.3") X(25.3")
6	63P-44363-00	TUBE, WATER 3 TUBE D'EAU 3	1		X(25.3") X(25.3")
7	93608-16M16	PIN, DOWEL AXE	2		
8	97E95-10645	BOLT, HEXAGON W/W DEEP RECESS VIS HEXAGONAL AVC RONDELLE	6		
9	90119-10MA2	BOLT, WITH WASHER BOULON, AVEC RONDELLE	1		L(20.3") L(20.3")
	90119-10008	BOLT, WITH WASHER BOULON, AVEC RONDELLE	1		X(25.3") X(25.3")
10	6J9-45214-00	COVER, WATER INLET 1 GRILLE, ENTREE D'EAU 1	1		
11	6J9-45215-00	COVER, WATER INLET 2 GRILLE, ENTREE D'EAU 2	1		
12	90152-05M08	SCREW, COUNTERSUNK VIS, TETE NOYEE	1		
13	90185-05002	NUT, NYLON ECROU, AUTO-BLOQUANT	1		
14	6J9-45371-01	TAB-TRIM ANODE DERIVE	1		
15	90105-10M00	BOLT, FLANGE BOULON, A COLLERETTE	1		
16	63P-45987-00	SPACER 1 ENTRETOISE 1	1		
17	688-45997-01	SPACER 2 ENTRETOISE 2	1		
18	92990-18200	WASHER RONDELLE, PLATE	1		
19	90171-18M04	NUT, CASTLE ECROU, CRENELE	1		
20	91490-40030	PIN, COTTER GOUPILLE	1		

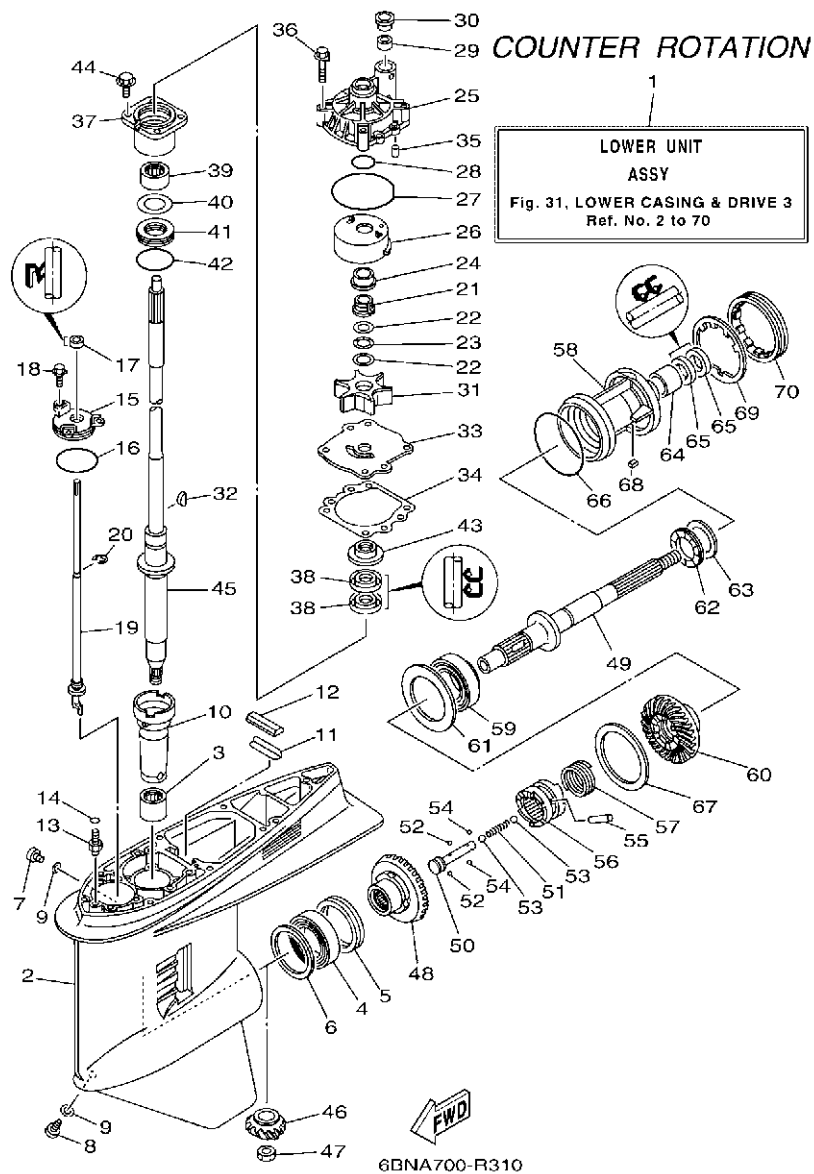


FIG. 31 LOWER CASING & DRIVE 3

BOITIER D'HELICE TRANSMISSION3

REF. NO.	PART NO. N° PIECES	DESCRIPTION DESCRIPTION	63PH	64PH	REMARKS REMARQUES
1	64P-45300-04-8D	LOWER UNIT ASSY UNITE INFERIEURE (ENS.)		1	L(20.3"),LH
	64P-45300-14-8D	LOWER UNIT ASSY UNITE INFERIEURE (ENS.)		1	L(20.3"),LH X(25.3"),LH
2	6J9-45301-07-8D	CASING, LOWER BEQUILLE		1	
3	93311-928U5	BEARING ROULEMENT		1	
4	93390-000U2	BEARING ROULEMENT		1	
5	93341-465U4	BEARING CERVEAUX DE DIRECTION		1	
6	6G5-45567-01	SHIM (T:0.10MM) CALE (T:0.10MM)		1	UR
	6G5-45567-10	SHIM (T:0.12MM) CALE (T:0.12MM)		1	UR
	6G5-45567-20	SHIM (T:0.15MM) CALE (T:0.15MM)		1	UR
	6G5-45567-30	SHIM (T:0.18MM) CALE (T:0.18MM)		1	UR
	6G5-45567-40	SHIM (T:0.30MM) CALE (T:0.30MM)		1	UR
	6G5-45567-50	SHIM (T:0.40MM) CALE (T:0.40MM)		1	UR
	6G5-45567-60	SHIM (T:0.50MM) CALE (T:0.50MM)		1	UR
7	90340-08002	PLUG, STRAIGHT SCREW PLOT, FILETE DROIT		1	
8	688-45341-10	PLUG, DRAIN BOUCHON DE VIDANGE		1	
9	90430-08003	GASKET JOINT		2	
10	6G5-45536-01	SLEEVE, DRIVE SHAFT MANCHON, ARBRE MOTEUR		1	
11	663-45376-00	GUIDE, SEAL DAMPER BUTEE, JOINT CAOUTCHOUC		1	
12	688-45375-00	DAMPER, SEAL BOURRELET, CAOUTCHOUC		1	
13	63P-45378-00	NIPPLE, HOSE RACCORD, TUYAU		1	
14	93210-07003	O-RING JOINT TORIQUE		1	
15	6E5-45321-00	PLATE PLAQUETTE		1	
16	93210-58144	O-RING JOINT TORIQUE		1	
17	93106-09014	OIL SEAL JOINT SPY		1	
18	90119-06M10	BOLT, WITH WASHER BOULON, AVEC RONDELLE		3	
19	64P-44150-01	SHIFT CAM ASSY CAME D'INVERSION		1	L(20.3"),LH
	64P-44150-11	SHIFT CAM ASSY CAME D'INVERSION		1	L(20.3"),LH X(25.3"),LH

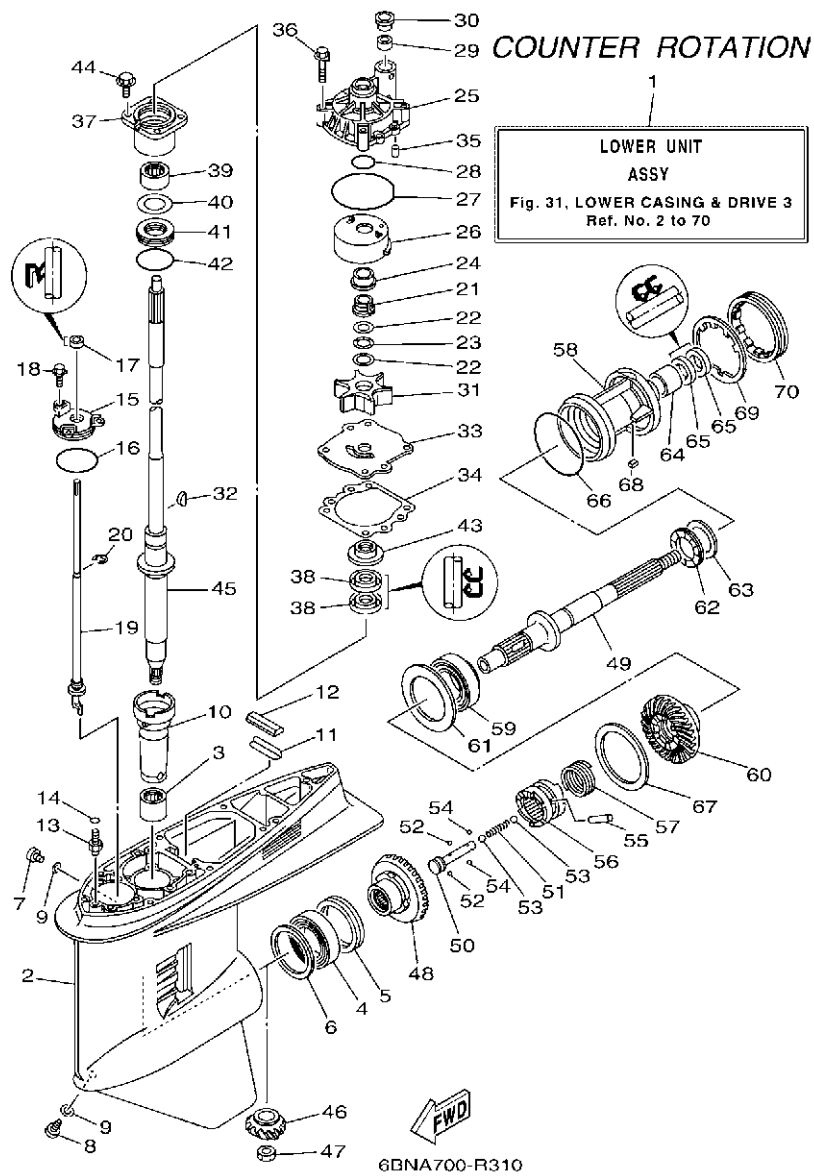


FIG. 31 LOWER CASING & DRIVE 3

BOITIER D'HELICE TRANSMISSION3

REF. NO.	PART NO. N° PIECES	DESCRIPTION DESCRIPTION	63PH	64PH	REMARKS REMARQUES
20	99001-08600	CIRCLIP CIRCLIP		1	
21	61A-45538-00	SPACER 1 ENTRETOISE		1	
22	90201-22M01	WASHER, PLATE RONDELLE, PLATE		2	
23	90206-22M19	WASHER, WAVE RONDELLE, ONDULEE		1	
24	61A-45527-00	COLLAR, DRIVE SHAFT ENTRETOISE		1	
25	61A-44311-01	HOUSING, WATER PUMP CORPS, POMPE A EAU		1	
26	61A-44322-02	INSERT, CARTRIDGE CUVETTE		1	
27	93210-86M38	O-RING JOINT TORIQUE		1	
28	93210-37160	O-RING JOINT TORIQUE		1	
29	6E5-44365-00	DAMPER, WATER SEAL 1 JOINT, TUBE D'EAU 1		1	
30	6E5-44312-00	COVER, WATER PUMP HOUSING COUVERCLE		1	
31	6E5-44352-01	IMPELLER TURBINE		1	
32	90280-04M05	KEY, WOODRUFF CLAVETTE, DEMI-LUNE		1	
33	6G5-44323-01	OUTER PLATE, CARTRIDGE PLAQUE EXTERIEURE		1	
34	6E5-44315-A0	GASKET, WATER PUMP JOINT, POMPE A EAU		1	
35	93606-12019	PIN, DOWEL GOUILLE		2	
36	90119-08M14	BOLT, WITH WASHER BOULON, AVEC RONDELLE		4	
37	6E5-45331-00-9S	HOUSING, BEARING FLASQUE, ROULEMENT		1	
38	93101-28M16	OIL SEAL JOINT SPY		2	
39	93317-330U2	BEARING ROULEMENT		1	
40	6E5-45587-01	SHIM (T:0.10MM) CALE (T:0.10MM)		1	UR
	6E5-45587-10	SHIM (T:0.12MM) CALE (T:0.12MM)		1	UR
	6E5-45587-20	SHIM (T:0.15MM) CALE (T:0.15MM)		1	UR
	6E5-45587-30	SHIM (T:0.18MM) CALE (T:0.18MM)		1	UR
	6E5-45587-40	SHIM (T:0.30MM) CALE (T:0.30MM)		1	UR
	6E5-45587-50	SHIM (T:0.40MM) CALE (T:0.40MM)		1	UR
	6E5-45587-60	SHIM (T:0.50MM) CALE (T:0.50MM)		1	UR

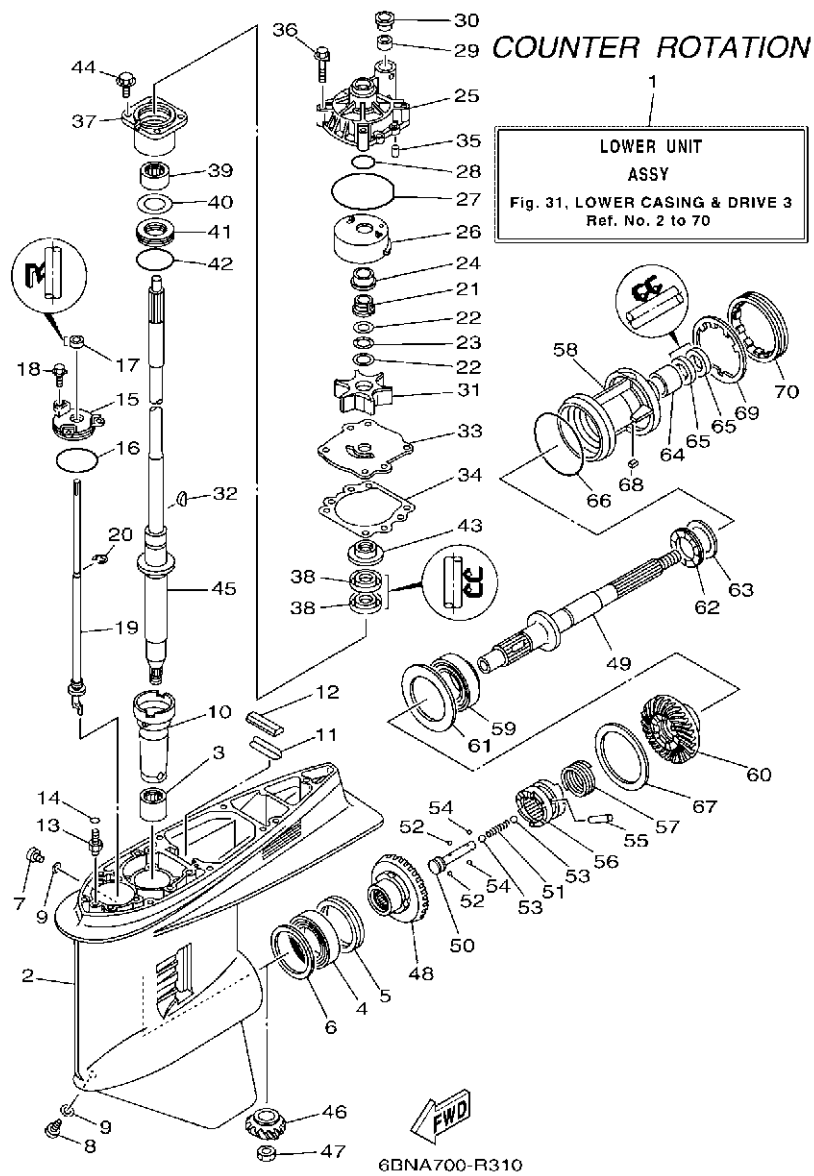


FIG. 31 LOWER CASING & DRIVE 3

BOITIER D'HELICE TRANSMISSION3

REF. NO.	PART NO. N° PIECES	DESCRIPTION DESCRIPTION	63PH	64PH	REMARKS REMARQUES
41	93341-930V2	BEARING CERVEAUX DE DIRECTION		1	
42	93210-55M14	O-RING JOINT TORIQUE		1	
43	6E5-45344-00	COVER, OIL SEAL FLASQUE, JOINT D'HUILE		1	
44	97E95-08525	BOLT, HEXAGON W/W DEEP RECESS VIS HEXAGONAL AVC RONDELLE		4	
45	63P-45501-01	DRIVE SHAFT COMP. ARBRE MOTEUR COMP.		1	L(20.3") L(20.3")
	63P-45501-11	DRIVE SHAFT COMP. ARBRE MOTEUR COMP.		1	X(25.3") X(25.3")
46	63P-45551-00	PINION (14T) PIGNON D'ATTAQUE (14D)		1	
47	90170-16M01	NUT ECROU		1	
48	64P-45560-10	GEAR 1 (28T) PIGNON 1 (28T)		1	
49	6K1-45611-11	SHAFT, PROPELLER ARBRE, HELICE		1	
50	6E5-45634-02	SLIDE, SHIFT CONTRE-POUSOIR		1	
51	90501-16M37	SPRING, COMPRESSION RESSORT, COMPRESSION		1	
52	93507-32009	BALL BILLE		2	
53	93511-32017	BALL BILLES		2	
54	93503-16003	BALL BILLES		2	
55	90250-08M07	PIN, STRAIGHT GOUPILLE, DROITE		1	
56	6DA-45631-00	CLUTCH, DOG CRABOT		1	
57	6E5-45633-01	RING, CROSS PIN JONC, GOUPILLE CRABOT		1	
58	6K1-45332-01-CA	HOUSING, BEARING FLASQUE, ROULEMENT		1	
59	93332-00048	BEARING ROULEMENT		1	
60	64P-45570-10	GEAR 2 (28T) PIGNON 2 (28T)		1	
61	6K1-45576-00	WASHER, THRUST 2 RONDELLE DE CALAGE 2		1	
62	93341-440U5	BEARING CERVEAUX DE DIRECTION		1	
63	6K1-45578-01	SHIM (T:0.10MM) CALE (T:0.10MM)		1	UR
	6K1-45578-10	SHIM (T:0.12MM) CALE (T:0.12MM)		1	UR
	6K1-45578-20	SHIM (T:0.15MM) CALE (T:0.15MM)		1	UR
	6K1-45578-30	SHIM (T:0.18MM) CALE (T:0.18MM)		1	UR

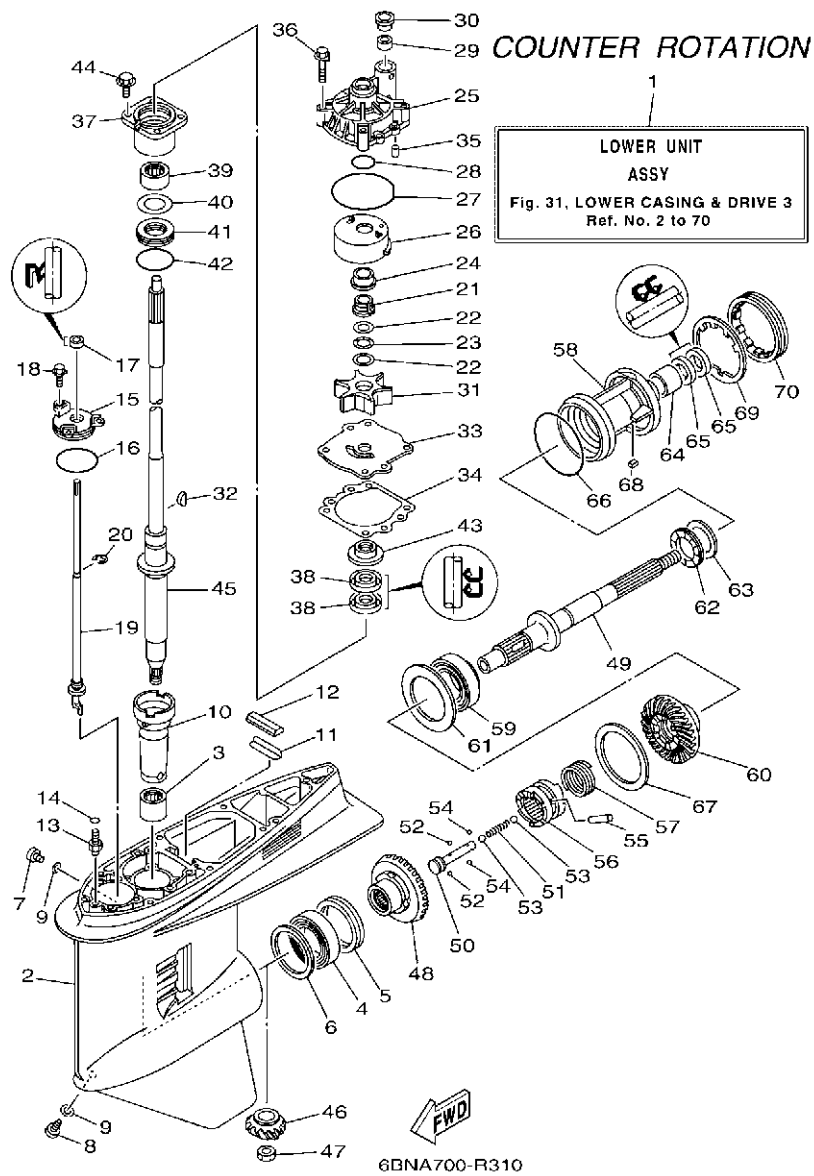


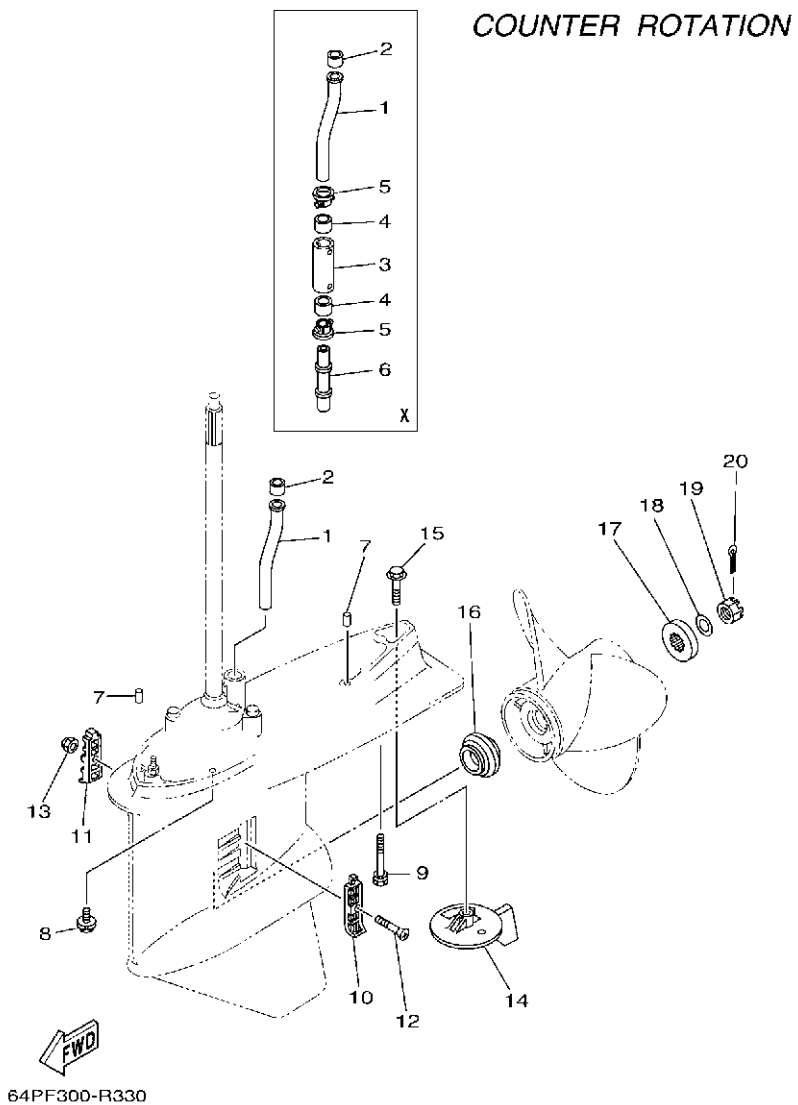
FIG. 31 LOWER CASING & DRIVE 3

BOITIER D'HELICE TRANSMISSION3

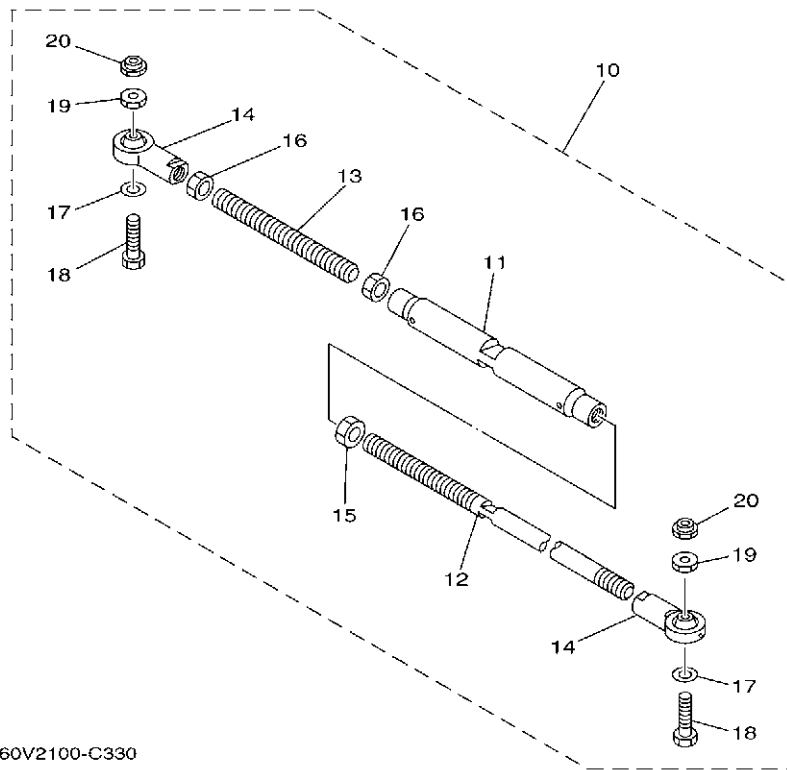
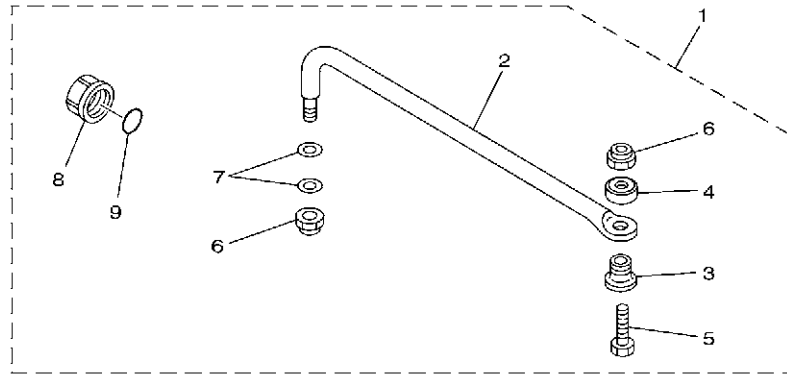
REF. NO.	PART NO. N° PIECES	DESCRIPTION DESCRIPTION	63PH	64PH	REMARKS REMARQUES
63	6K1-45578-40	SHIM (T:0.30MM)		1	UR
		CALE (T:0.30MM)			UR
	6K1-45578-50	SHIM (T:0.40MM)		1	UR
		CALE (T:0.40MM)			UR
	6K1-45578-60	SHIM (T:0.50MM)		1	UR
		CALE (T:0.50MM)			UR
64	93315-43061	BEARING ROULEMENT		1	
65	93101-30M17	OIL SEAL JOINT SPY		2	
66	93210-97M55	O-RING JOINT TORIQUE		1	
67	6G5-45577-02	SHIM (T:0.10MM)		1	UR
		CALE (T:0.10MM)			UR
	6G5-45577-10	SHIM (T:0.12MM)		1	UR
		CALE (T:0.12MM)			UR
	6G5-45577-20	SHIM (T:0.15MM)		1	UR
		CALE (T:0.15MM)			UR
	6G5-45577-30	SHIM (T:0.18MM)		1	UR
		CALE (T:0.18MM)			UR
	6G5-45577-40	SHIM (T:0.30MM)		1	UR
		CALE (T:0.30MM)			UR
	6G5-45577-50	SHIM (T:0.40MM)		1	UR
		CALE (T:0.40MM)			UR
	6G5-45577-60	SHIM (T:0.50MM)		1	UR
		CALE (T:0.50MM)			UR
68	90282-04M00	KEY, STRAIGHT CLAVETTE, DROITE		1	
69	6G5-45383-01	WASHER, CLAW FREIN D'ECROU		1	
70	6G5-45384-02	NUT ECROU		1	

FIG. 32 LOWER CASING & DRIVE 4

BOITIER D'HELICE TRANSMISSION4



REF. NO.	PART NO. N° PIECES	DESCRIPTION DESCRIPTION	63PH	64PH	REMARKS REMARQUES
1	63P-44361-00	TUBE, WATER 1 TUBE D'EAU 1		1	
2	6E5-44365-00	DAMPER, WATER SEAL 1 JOINT, TUBE D'EAU 1		1	
3	63P-44362-00	TUBE, WATER 2 TUBE D'EAU 2		1	X(25.3") X(25.3")
4	6E5-44365-00	DAMPER, WATER SEAL 1 JOINT, TUBE D'EAU 1		2	X(25.3") X(25.3")
5	6E5-44312-00	COVER, WATER PUMP HOUSING COUVERCLE		2	X(25.3") X(25.3")
6	63P-44363-00	TUBE, WATER 3 TUBE D'EAU 3		1	X(25.3") X(25.3")
7	93608-16M16	PIN, DOWEL AXE		2	
8	97E95-10645	BOLT, HEXAGON W/W DEEP RECESS VIS HEXAGONAL AVC RONDELLE		6	
9	90119-10MA2	BOLT, WITH WASHER BOULON, AVEC RONDELLE		1	L(20.3") L(20.3")
	90119-10008	BOLT, WITH WASHER BOULON, AVEC RONDELLE		1	X(25.3") X(25.3")
10	6J9-45214-00	COVER, WATER INLET 1 GRILLE, ENTREE D'EAU 1		1	
11	6J9-45215-00	COVER, WATER INLET 2 GRILLE, ENTREE D'EAU 2		1	
12	90152-05M08	SCREW, COUNTERSUNK VIS, TETE NOYEE		1	
13	90185-05002	NUT, NYLON ECROU,AUTO-BLOQUANT		1	
14	6K1-45371-02	TAB-TRIM ANODE DERIVE		1	
15	90105-10M00	BOLT, FLANGE BOULON, A COLLERETTE		1	
16	63P-45987-00	SPACER 1 ENTRETOISE 1		1	
17	688-45997-01	SPACER 2 ENTRETOISE 2		1	
18	92990-18200	WASHER RONDELLE, PLATE		1	
19	90171-18M04	NUT, CASTLE ECROU, CRENELE		1	
20	91490-40030	PIN. COTTER GOUPILLE		1	

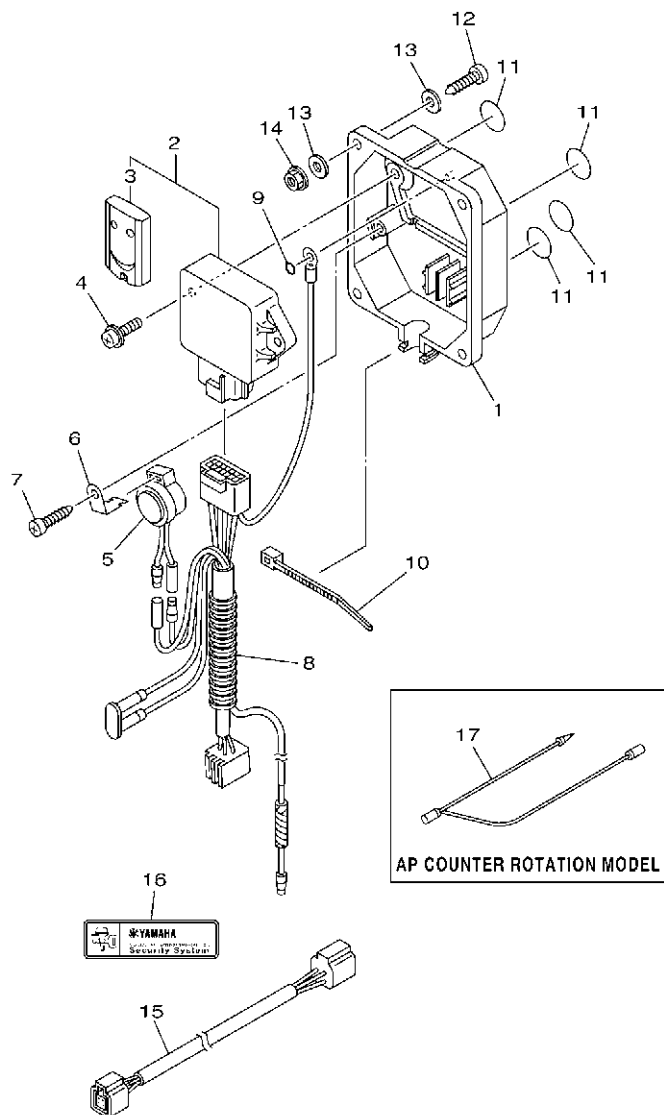


60V2100-C330

FIG. 33 STEERING GUIDE

FIXATION DE DIRECTION

REF. NO.	PART NO. N° PIECES	DESCRIPTION DESCRIPTION	63PH	64PH	REMARKS REMARQUES
1	6E5-61350-02	STEERING GUIDE ATTACHMENT KIT FIXATIONS DE DIRECTION	1		AP AP
2	6E5-61351-01	.ROD, STEERING LINK .RENOI DE DIRECTION	1		
3	90387-10M61	.COLLAR .COLLERETTE	1		
4	90560-12M01	.SPACER .ENTRETOISE	1		
5	6E5-61355-00	.BOLT .BOULON	1		
6	90185-09M01	.NUT, SELF-LOCKING .ECROU,AUTO-BLOQUANT	2		
7	90201-10M20	.WASHER, PLATE .RONDELLE, PLATE	2		
8	6E5-43145-01	.CAP, CLAMP BRACKET .CAPUCHON, PRESSE	1		
9	93210-16275	.O-RING .JOINT TORIQUE	1		
10	6E5-61301-01	TWIN KIT (L:600-800MM) JUMELE KIT (L:600-800MM)	1		AP AP
11	6E5-61313-00	.ADJUSTER .TENDEUR	1		
12	6E5-61311-11	.TIE BAR .BARRE D'ACCOUPEMENT	1		
13	6E5-61315-00	.TIE BAR .BARRE D'ACCOUPEMENT	1		
14	6E5-61303-00	.STEERING AXLE COMP. .AXLE COMP.	2		
15	90170-14M06	.NUT .ECROU	1		
16	95380-14700	.NUT .ECROU	2		
17	90201-10M76	.WASHER, PLATE .RONDELLE, PLATE	2		
18	90101-09M70	.BOLT .BOULON	2		
19	90170-09M05	.NUT .ECROU	2		
20	90185-09M01	.NUT, SELF-LOCKING .ECROU,AUTO-BLOQUANT	2		



63P9100-L320

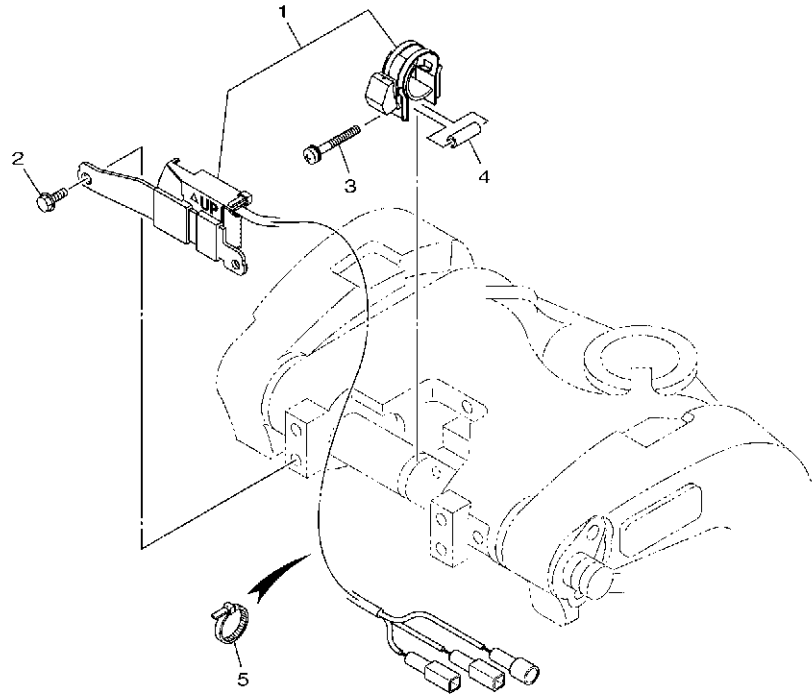
FIG. 34 OPTIONAL PARTS 1

PIECES OPTIONNELLES 1

REF. NO.	PART NO. N° PIECES	DESCRIPTION DESCRIPTION	63PH	64PH	REMARKS REMARQUES
1	6Y8-86267-00	CASE COMPLETE 1 CARTER (ENS.) 1	1		
2	6Y8-86260-03	REMOTE CONTROL UNIT ASSY UNITE DE TELECOMMANDE (ENS.)	1		
3	6AA-86261-01	.XMTR. COMP. .XMTR. COMP.	2		
4	97980-06216	SCREW, WITH WASHER VIS, AVEC RONDELLE	2		
5	6X4-83383-00	BUZZER RONFLEUR	1		
6	6X4-83386-00	STAY, BUZZER SUPPOR, RONFLEUR	1		
7	97780-60620	SCREW, TAPPING VIS, TETE BOMBEE	1		
8	6Y8-82509-10	WIRE, SUB LEAD FIL, SECONDAIRE	1		
9	93210-04279	O-RING JOINT TORIQUE	1		
10	90465-11M10	CLAMP BRIDE	1		
11	6Y8-8454G-00	PATCH 1 TAMPON 1	4		
12	90167-06M00	SCREW, TAPPING VIS, TETE FRAISEE	4		UR
	97880-06035	SCREW, PAN HEAD VIS, TETE TRONCONIQUE	4		UR
13	90201-06M30	WASHER, PLATE RONDELLE, PLATE	8		UR
14	95780-06300	NUT, FLANGE ECROU	4		
15	6Y8-82521-11	2FT PIGTAIL BUS FAISCEAU (L: 2FT.)	1		
16	6Y8-48277-00	STICKER 1 ETIQUETTE 1	4		
17	6H5-81315-00	LEAD WIRE ASSY FIL		1	AP AP

FIG. 35 OPTIONAL PARTS 2

PIECES OPTIONNELLES 2

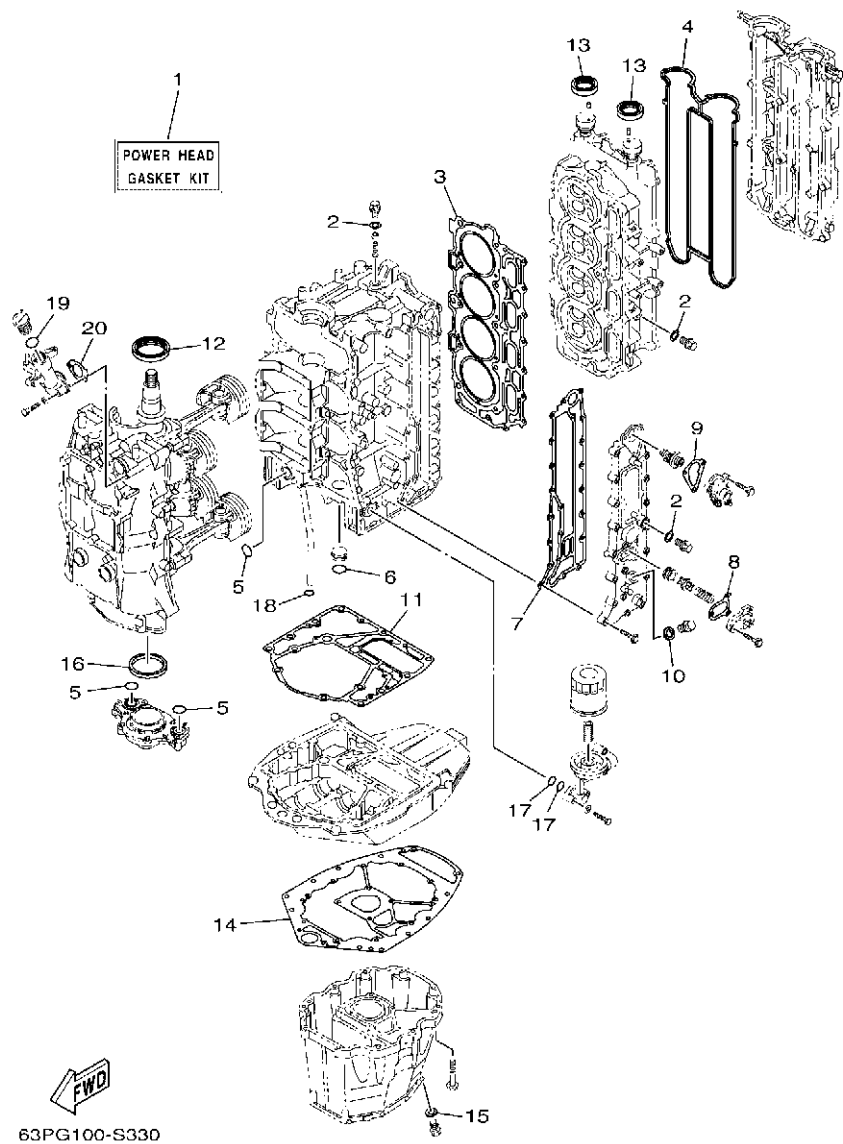



6DA4100-Q370

REF. NO.	PART NO. N° PIECES	DESCRIPTION DESCRIPTION	63PH	64PH	REMARKS REMARQUES
1	63P-825E0-01	TILT LIMIT SWITCH ASSY COMMUTEUR, LIMIT INCLINAISON	1	1	
2	97E95-06516	BOLT, HEXAGON W/W DEEP RECESS VIS HEXAGONAL AVC RONDELLE	2	2	
3	90159-05059	SCREW, WITH WASHER VIS, AVEC RONDELLE	1	1	
4	90387-05004	COLLAR COLLERETTE	1	1	
5	90465-11M10	CLAMP BRIDE	5	5	

FIG. 36 REPAIR KIT 1

KITS DE REPARATION 1

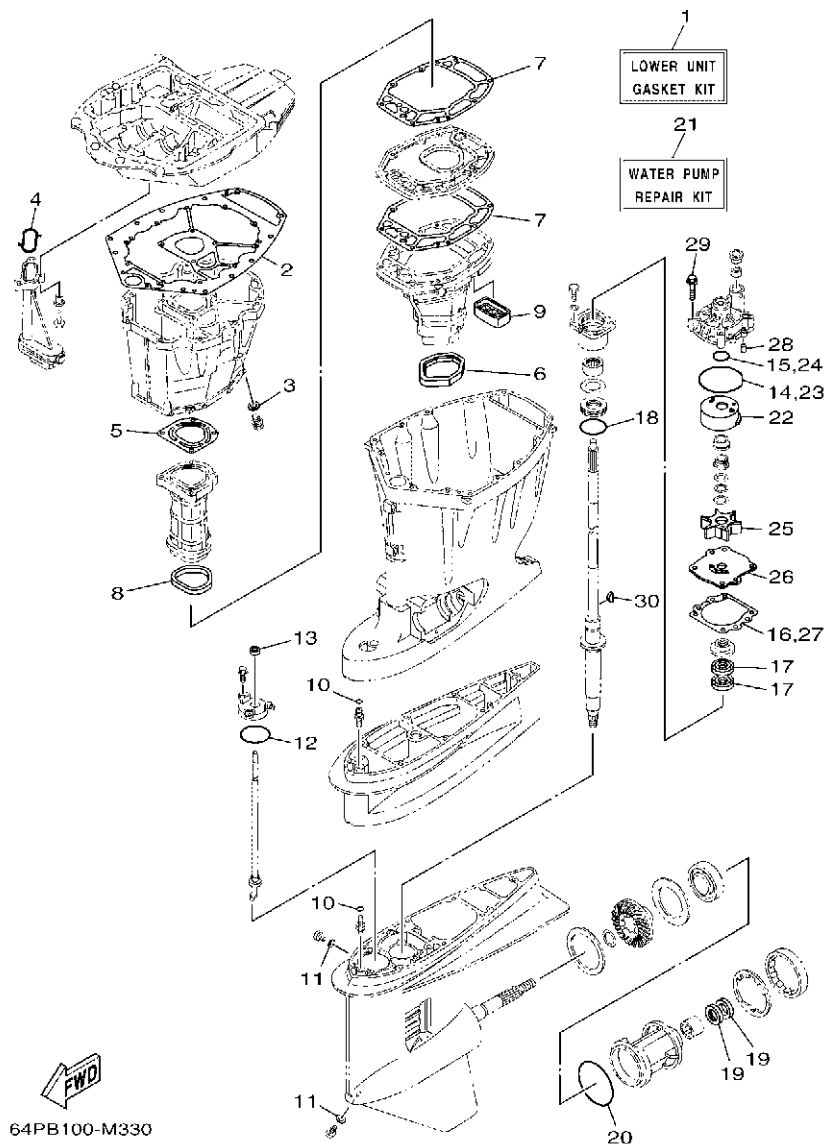


63PG100-S330

REF. NO.	PART NO. N° PIECES	DESCRIPTION DESCRIPTION	63PH	64PH	REMARKS REMARQUES
1	63P-W0001-04	POWER HEAD GASKET KIT POCHETTE DE JINTS TETE MOTRICE	1	1	
2	90430-14115	.GASKET .JOINT	4	4	
3	63P-11181-00	.GASKET, CYLINDER HEAD 1 .JOINT, DE CULASSE 1	1	1	
4	63P-11193-00	.GASKET, HEAD COVER 1 .JOINT, COUVERCLE DE CULASSE 1	1	1	
5	93210-25552	.O-RING .JOINT TORIQUE	3	3	
6	93210-25647	.O-RING .JOINT TORIQUE	1	1	
7	63P-41114-A3	.GASKET, EXHAUST OUTER COVER .JOINT, COUVERCLE D'ECHAPPEMENT	1	1	
8	67F-12435-A0	.GASKET .JOINT	1	1	
9	63P-12414-00	.GASKET, COVER .JOINT, COUVERCLE	1	1	
10	90201-186F1	.WASHER, PLATE .RONDELLE, PLATE	1	1	
11	63P-11351-03	.GASKET, CYLINDER .JOINT, D'EMBASE	1	1	
12	93102-60004	.OIL SEAL .JOINT SPY	1	1	
13	93102-38008	.OIL SEAL .JOINT SPY	2	2	
14	63P-15312-02	.GASKET, OIL PAN .JOINT DE VENTILATEUR D'HUILE	1	1	
15	90430-14M09	.GASKET .JOINT	1	1	
16	69J-11355-00	.SEAL, CYLINDER 1 .JOINT, SPY CYLINDRE	1	1	
17	93210-19MJ1	.O-RING .JOINT TORIQUE	2	2	
18	93210-19MJ3	.O-RING .JOINT TORIQUE	1	1	
19	93210-24M79	.O-RING .JOINT TORIQUE	1	1	
20	63P-15364-A0	.GASKET, OIL PLUG .JOINT, PLOT D'HUILE	1	1	

FIG. 37 REPAIR KIT 2

KITS DE REPARATION 2



64PB100-M330

REF. NO.	PART NO. N° PIECES	DESCRIPTION DESCRIPTION	63PH	64PH	REMARKS REMARQUES
1	63P-W0001-21	LOWER UNIT GASKET KIT POCHETTE DE JOINTS EMBASE	1	1	
2	63P-15312-02	.GASKET, OIL PAN .JOINT DE VENTILATEUR D'HUILE	1	1	
3	90430-14M09	.GASKET .JOINT	1	1	
4	63P-13415-00	.SEAL, OIL STRAINER .JOINT, FILTRE A HUILE	1	1	
5	63P-41133-A0	.GASKET, EXHAUST MANIFOLD 1 .JOINT, PIPE D'ECHAPPEMENT	1	1	
6	69J-45123-00	.GASKET, MUFFLER .JOINT, POT DE DETENTE	1	1	
7	63P-41134-A1	.GASKET, EXHAUST MANIFOLD .JOINT, PIPE D'ECHAPPEMENT	2	2	
8	63P-41138-00	.SEAL, EXT. 1 .JOINT DE GROUPE 1	1	1	
9	69J-45127-00	.SEAL .JOINT	1	1	
10	93210-07003	.O-RING .JOINT TORIQUE	2	2	
11	90430-08003	.GASKET .JOINT	2	2	
12	93210-58144	.O-RING .JOINT TORIQUE	1	1	
13	93106-09014	.OIL SEAL .JOINT SPY	1	1	
14	93210-86M38	.O-RING .JOINT TORIQUE	1	1	
15	93210-37160	.O-RING .JOINT TORIQUE	1	1	
16	6E5-44315-A0	.GASKET, WATER PUMP .JOINT, POMPE A EAU	1	1	
17	93101-28M16	.OIL SEAL .JOINT SPY	2	2	
18	93210-55M14	.O-RING .JOINT TORIQUE	1	1	
19	93101-30M17	.OIL SEAL .JOINT SPY	2	2	
20	93210-97M55	.O-RING .JOINT TORIQUE	1	1	
21	61A-W0078-A3	WATER PUMP REPAIR KIT KIT DE REPARATION DE LA POMPE	1	1	
22	61A-44322-02	.INSERT, CARTRIDGE .CUVETTE	1	1	
23	93210-86M38	.O-RING .JOINT TORIQUE	1	1	
24	93210-37160	.O-RING .JOINT TORIQUE	1	1	
25	6E5-44352-01	.IMPELLER .TURBINE	1	1	
26	6G5-44323-01	.OUTER PLATE, CARTRIDGE .PLAQUE EXTERIEURE	1	1	
27	6E5-44315-A0	.GASKET, WATER PUMP .JOINT, POMPE A EAU	1	1	

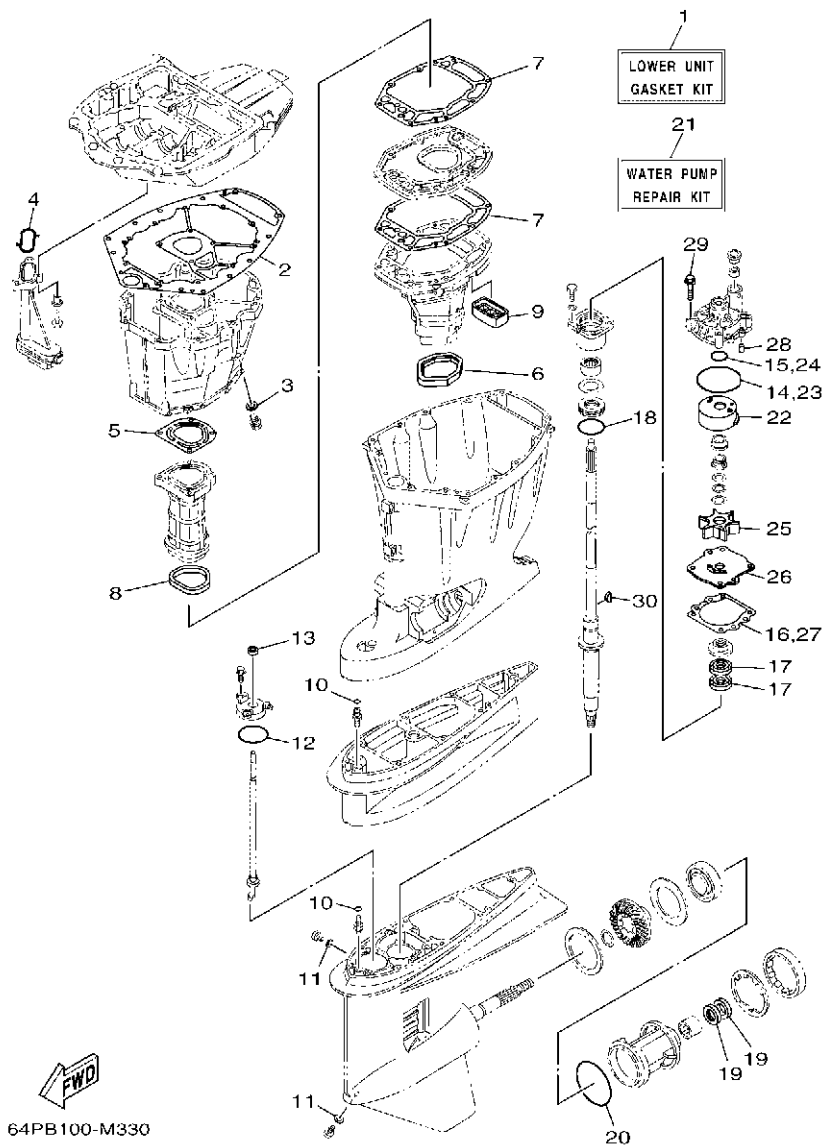


FIG. 37 REPAIR KIT 2

KITS DE REPARATION 2

REF. NO.	PART NO. N° PIECES	DESCRIPTION DESCRIPTION	63PH	64PH	REMARKS REMARQUES
28	93606-12019	.PIN, DOWEL .GOUPILLE	2	2	
29	90119-08M14	.BOLT, WITH WASHER .BOULON, AVEC RONDELLE	4	4	
30	90280-04M05	.KEY, WOODRUFF .CLAVETTE, DEMI-LUNE	1	1	
<hr/>					
<hr/>					
<hr/>					
<hr/>					
<hr/>					
<hr/>					
<hr/>					
<hr/>					
<hr/>					
<hr/>					
<hr/>					
<hr/>					
<hr/>					
<hr/>					
<hr/>					