

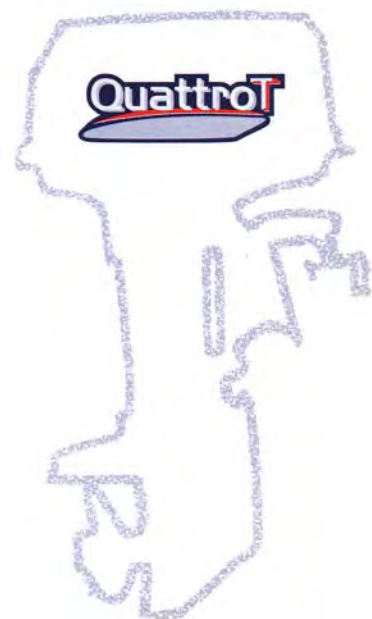
Kingfish 25

Production year 2019

Production année 2019

PARTS CATALOGUE

CATALOGUE DE PIÈCES DÉTACHÉES



ENGINE STARTING SERIAL NUMBER 1039818

A1



FOREWORD

This Parts Catalogue is related to the parts for the model(s) on the cover page. When you are ordering replacement parts, please refer to this Parts Catalogue and quote both part numbers and part names correctly.

1. Modifications or additions which have been made after the issue of the Parts Catalogue will be announced in the Parts News.
It is advisable that you make the necessary corrections to the Parts Catalogue according to the Parts News.

2. Abbreviations

The following abbreviations are used in this Parts Catalogue.

“UR” Use specified parts number.

“UN” Use as many as needed.

“AP” Alternate Parts

“LM” Locally Made (Parts need to be ordered locally)

“F#” Frame No. (Applicable machine No.)

“O/S” Over Size

3. The number of components for assembly

- Parts, which are to be supplied in an assembly, are listed with a dot (.) in front of the part name as shown below.
- The numeral appearing to the right of each component part indicates the quantity of parts for each assembly unit.

PART NO.	DESCRIPTION	Q'TY	REMARKS
2F5-83310-60	FRONT FLASHER LIGHT ASSY	2	
115-83311-60	.BULB (6V-18W)	1	

4. Applicable colours of graphics are represented in the “REMARKS” as shown below.

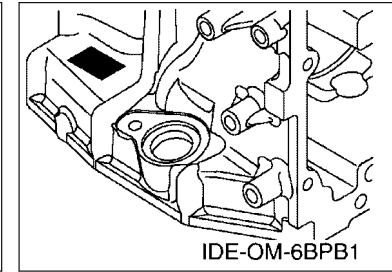
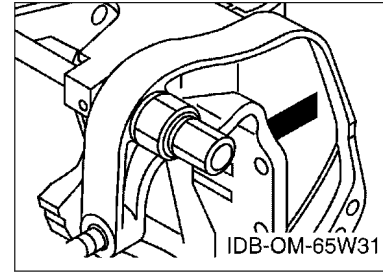
PART NO.	DESCRIPTION	Q'TY	REMARKS
2N4-24110-00-X5	FUEL TANK COMP.	2	MXR
3J1-24240-10	.GRAPHIC, FUEL TANK	1	FOR MXR

5. Note that the illustrations for reference in finding parts numbers are not to be used for assembling. When assembling, please use the applicable service manual.

6. The asterisk (*) before a reference number indicates modified items after the first edition.

7. Applicable Serial No.

Engine Serial No.



8. Applicable Engine Starting Serial No.

Model	Serial No.	Model	Serial No.
Kingfish 25	6BPK-1039818		

9. Applicable Colour Code

Abbreviation	Colour Name	Colour Code
DBN1	DARK BLUISH GRAY 1	008D

10. Quantity Column Information

Column No.	Name Of Q'ty Column	Applicable Model
1	ET	F25DET
2	E	F25DE
3	MH	F25DMH

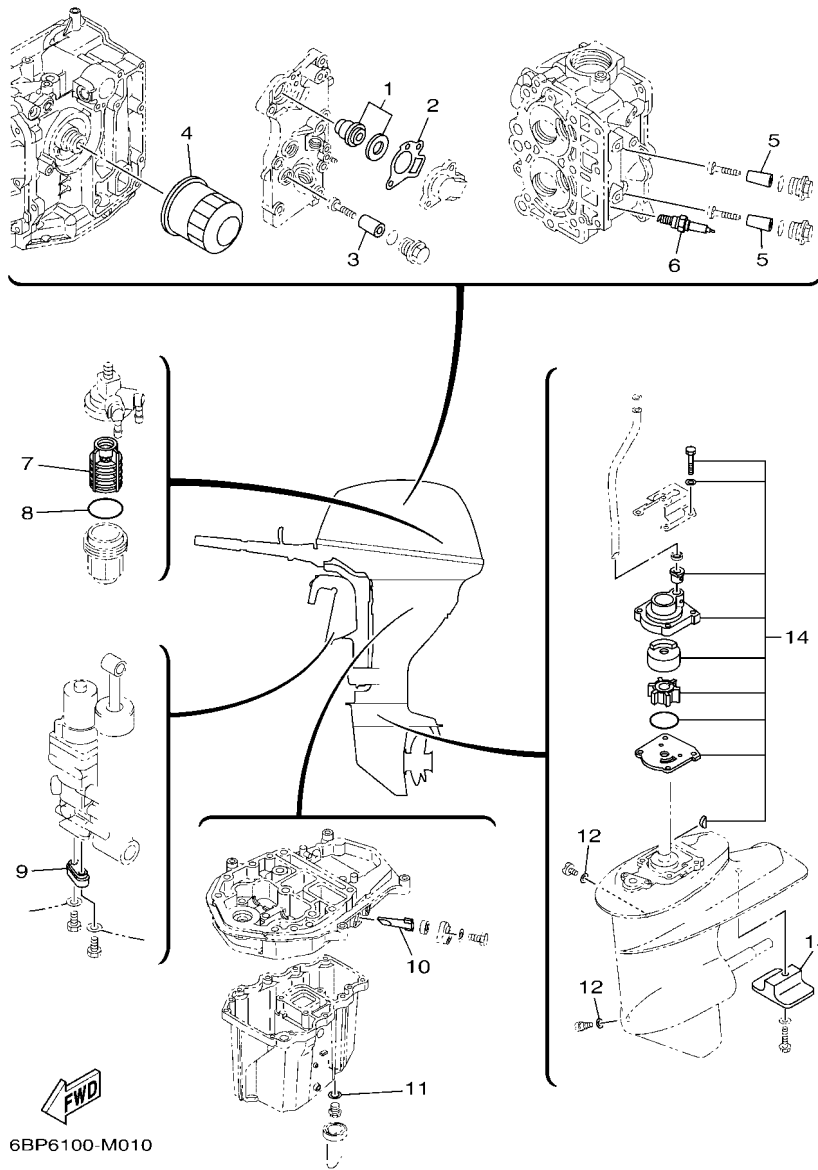
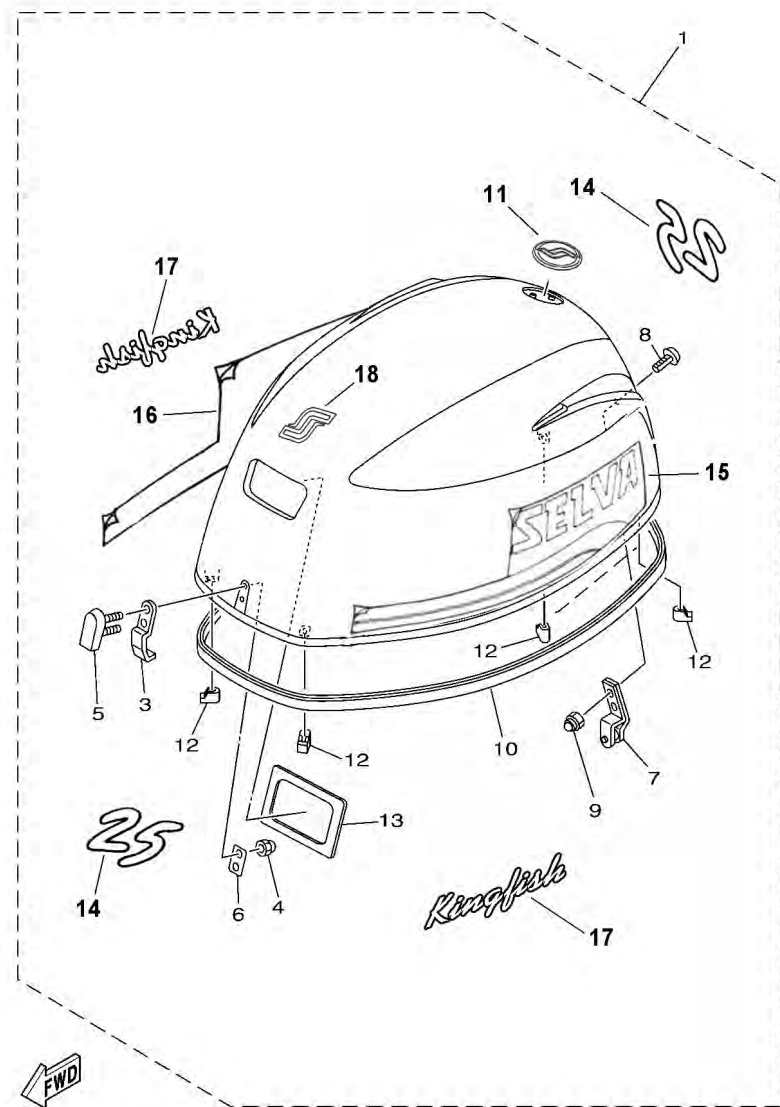


FIG. 1 SCHEDULED SERVICE PARTS

PIECES MAINTENANCE PERIODIQUE

REF. NO.	PART NO. N° PIECES	DESCRIPTION DESCRIPTION	E	L	MH	REMARKS REMARQUES
1	6G8-12411-03	THERMOSTAT THERMOSTAT	1	1	1	
2	62Y-12414-00	GASKET, COVER JOINT, COUVERCLE	1	1	1	
3	6G8-11325-00	ANODE ANODE	1	1	1	
4	5GH-13440-60	ELEMENT ASSY, OIL CLEANER ELEMENT, FILTRE A HUILE	1	1	1	
5	6BL-11325-00	ANODE ANODE	2	2	2	
6	94702-00418	PLUG, SPARK (NGK DPR6EB-9) BOUGIE D, ALLUMAGE (NGK DPR6EB-	2	2	2	
7	61N-24563-10	ELEMENT, FILTER ELEMENT, FILTRE	1	1	1	
8	93210-32738	O-RING JOINT TORIQUE	1	1	1	
9	65W-45251-00	ANODE ANODE	1			
10	62Y-11325-00	ANODE ANODE	1	1	1	
11	90430-14M09	GASKET JOINT	1	1	1	
12	90430-08003	GASKET JOINT	2	2	2	
13	61N-45251-01	ANODE ANODE	1	1	1	
14	61N-W0078-11	WATER PUMP REPAIR KIT KIT DE REPARATION DE LA POMPE	1	1	1	



6BPA100-R020

FIG. 2 TOP COWLING

CAPOT SUPERIEUR

REF. NO.	PART NO. N° PIECES	DESCRIPTION DESCRIPTION	U	L	M	REMARKS REMARQUES
1	1504758	TOP COWLING ASSY CAPOT (ENS.)	1	1		
	1504756	TOP COWLING ASSY CAPOT (ENS.)			1	
3	6BL-42651-00	.CAPOT SUPERIEUR SANS GRAPHIQUE ..HOOK ..CROCHET	1	1	1	
4	95380-05800	..NUT ..ECROU	2	2	2	
5	6BG-42851-00	..COVER, CLAMP ..COUVERCLE, BRIDE	1	1	1	
6	6BG-42649-00	..HOLDER, CLAMP BAND ..SUPPORT, SANDOW DE SERRAGE	1	1	1	
7	6BL-42652-00	..HOOK ..CROCHET	1	1	1	
8	90109-06047	..BOLT ..BOULON	2	2	2	
9	90185-06M05	..NUT, SELF-LOCKING ..ECROU, AUTO-BLOQUANT	2	2	2	
10	6CJ-42615-00	..SEAL ..JOINT	1	1	1	
11	8093510	..SELVA MARK ..MARQUE, SELVA	1	1	1	
12	6BG-42662-00	..DAMPER ..AMORTISSEUR	4	4	4	
13	6BL-42656-00	..PROTECTOR, RUBBER SEAL ..PROTECTEUR, JOINT CAOUTCHOUC			1	
14	8093140	..GRAPHIC, 25 ..ADHESIF, 25	2	2	2	
15	8093265	..GRAPHIC, LEFT ..ADHESIF, GAUCHE	2	2	2	
16	8093270	..GRAPHIC, RIGHT ..ADHESIF, DROIT	1	1	1	
17	8093135	..GRAPHIC, KINGFISH ..ADHESIF, KINGFISH	1	1	1	
18	8093516	..GRAPHIC, S ..ADHESIF, S	1	1	1	
	1534325	..GRAPHIC, SET ..JEU D'EMBLEME	1	1	1	

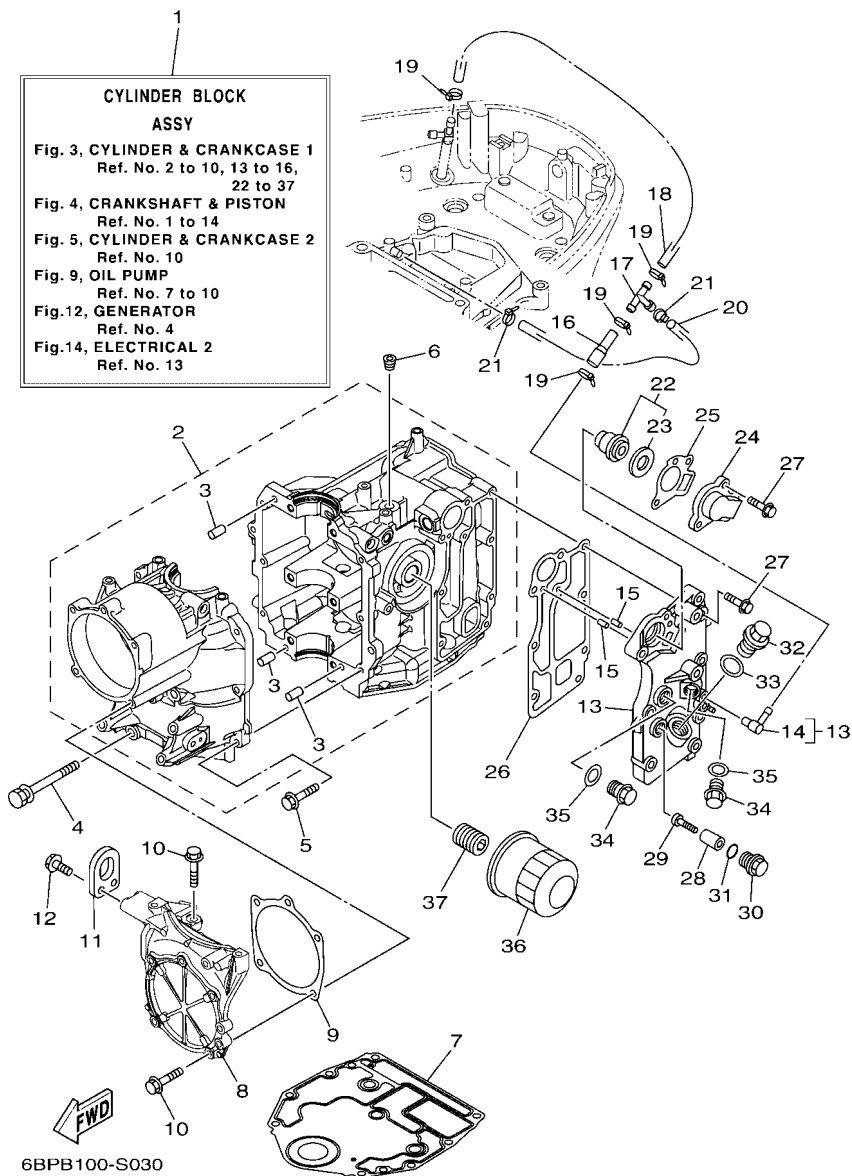


FIG. 3 CYLINDER & CRANKCASE 1

CYLINDRE & CARTER 1

REF. NO.	PART NO. N° PIECES	DESCRIPTION DESCRIPTION	U	W	MH	REMARKS REMARQUES
1	6BL-W009B-02-1S	CYLINDER BLOCK ASSY CYLINDRE GROUPE (ENS.)	1	1	1	
2	6BL-15100-02	CRANKCASE ASSY CARTER DE MOTEUR COMPLET	1	1	1	
3	93606-12019	.PIN, DOWEL .GOUILLE	3	3	3	
4	90119-08M01	BOLT, WITH WASHER BOULON, AVEC RONDELLE	6	6	6	
5	97513-06525	BOLT, WITH WASHER VIS HEXAGONAL AVC RONDELLE	7	7	7	
6	90344-51003	PLUG, TAPER SCREW PLOT, FILETE CONIQUE	1	1	1	
7	6BG-11351-00	GASKET, CYLINDER JOINT, D'EMBASE	1	1	1	
8	6BL-15121-00-1S	CRANKCASE 2 CARTER DE MOTEUR	1	1	1	
9	6BL-15663-00	SEAL JOINT	1	1	1	
10	97513-06525	BOLT, WITH WASHER VIS HEXAGONAL AVC RONDELLE	6	6	6	
11	62Y-11119-00	HANGER, ENGINE ANNEAU, LEVAGE	1	1	1	
12	97595-06520	BOLT, WITH WASHER VIS HEXAGONAL AVC RONDELLE	2	2	2	
13	6BL-41113-01-1S	OUTER COVER, EXHAUST COUVERCLE, ECHAPPEMENT	1	1	1	
14	6H1-11372-00	.NIPPLE, HOSE .RACCORD, TUYAU	1	1	1	
15	93604-10M03	PIN, DOWEL CLAVETTE	2	2	2	
16	6BP-12481-00	PIPE 1 DURITE 1	1	1	1	
17	688-24378-00	PIPE, JOINT 3 DURITE RACCORDEMENT 3	1	1	1	
18	90445-09251	HOSE (L350) DURITE (L350)	1	1	1	
19	90465-11M10	CLAMP BRIDE	4	4	4	
20	90445-09104	HOSE (L300) DURITE (L300)	1	1	1	
21	90465-11M10	CLAMP BRIDE	2	2	2	
22	6G8-12411-03	THERMOSTAT THERMOSTAT	1	1	1	
23	688-12412-00	.SEAL, THERMOSTAT .JOINT, THERMOSTAT	1	1	1	
24	6C5-12413-00-9S	COVER, THERMOSTAT COUVERCLE, THERMOSTAT	1	1	1	
25	62Y-12414-00	GASKET, COVER JOINT, COUVERCLE	1	1	1	
26	6BL-41114-00	GASKET, EXHAUST OUTER COVER JOINT, COUVERCLE D'ECHAPPEMENT	1	1	1	
27	90119-06MA5	BOLT, WITH WASHER BOULON, AVEC RONDELLE	8	8	8	

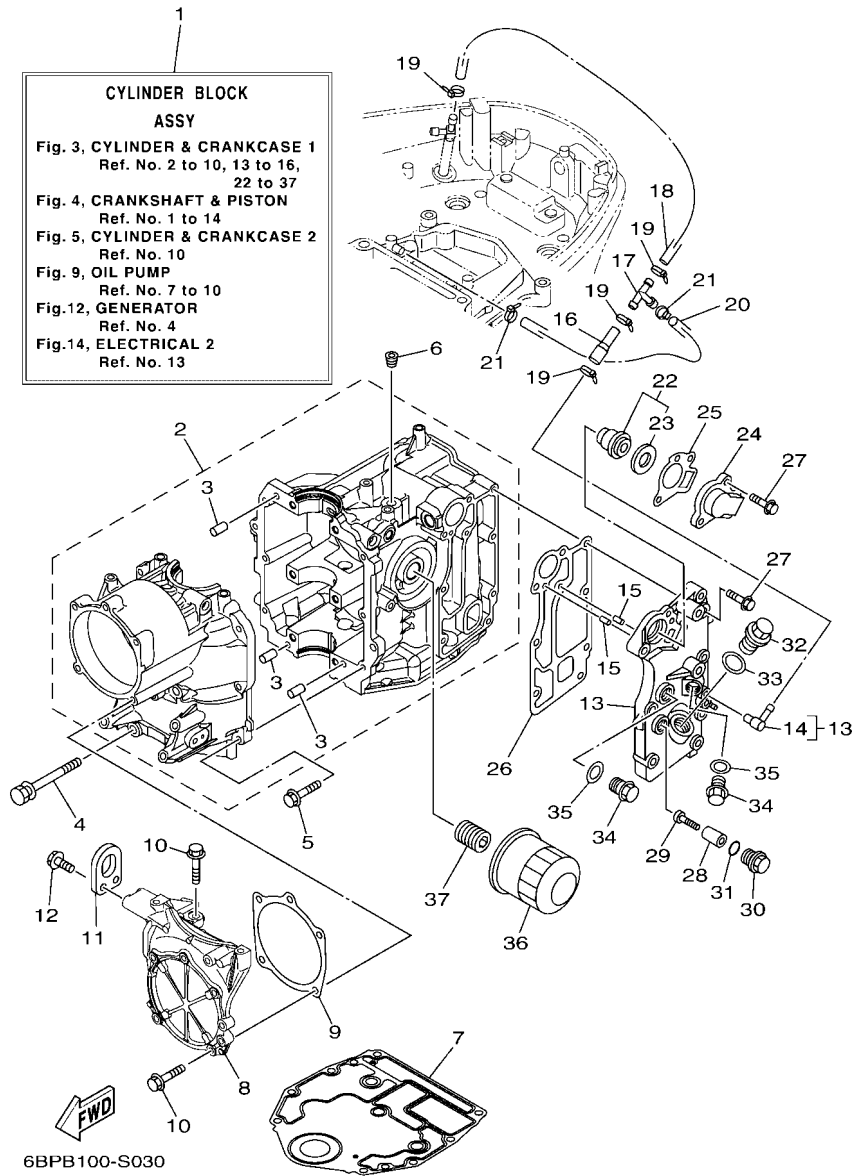


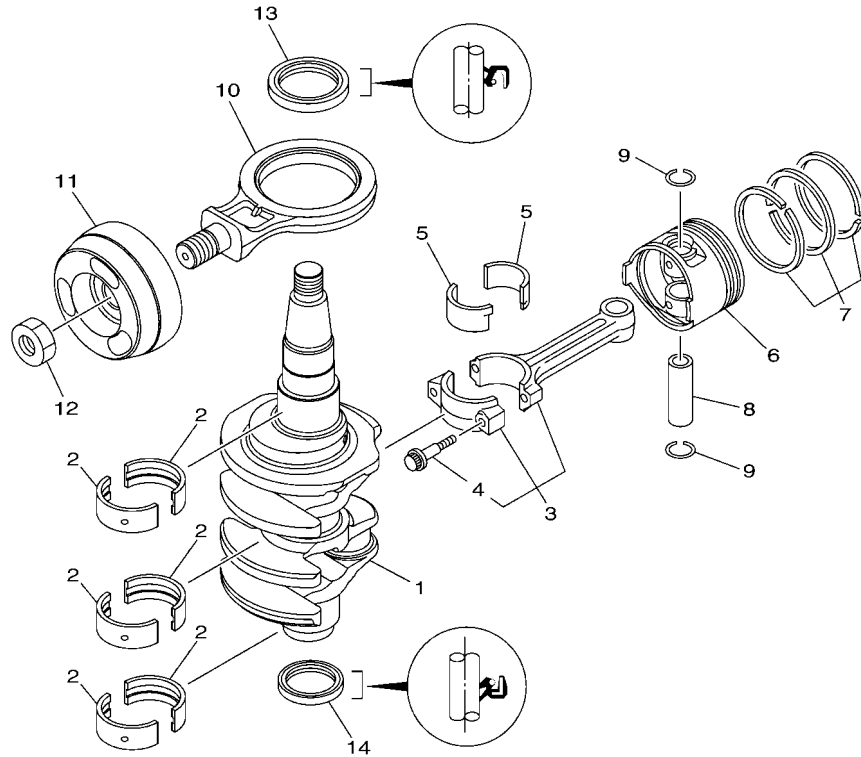
FIG. 3 CYLINDER & CRANKCASE 1

CYLINDRE & CARTER 1

REF. NO.	PART NO. N° PIECES	DESCRIPTION DESCRIPTION	U	L	MH	REMARKS REMARQUES
28	6G8-11325-00	ANODE ANODE	1	1	1	
29	98980-05025	SCREW, BIND VIS, DE PRESSION	1	1	1	
30	6G8-11197-A0	PLUG, BLIND PLOT, BORGNE	1	1	1	
31	93210-13M63	O-RING JOINT TORIQUE	1	1	1	
32	90340-18M09	PLUG, STRAIGHT SCREW PLOT, FILETE DROIT	1	1	1	
33	90201-186F1	WASHER, PLATE RONDELLE, PLATE	1	1	1	
34	90340-14M06	PLUG, STRAIGHT SCREW PLOT, FILETE DROIT	2	2	2	
35	90430-14115	GASKET JOINT	2	2	2	
36	5GH-13440-60	ELEMENT ASSY, OIL CLEANER ELEMENT, FILTRE A HUILE	1	1	1	
37	6C5-12858-00	BOLT, UNION BOULON, RACCORD	1	1	1	

FIG. 4 CRANKSHAFT & PISTON

VILEBREQUIN & PISTON



REF. NO.	PART NO. N° PIECES	DESCRIPTION DESCRIPTION	U	L	M	REMARKS REMARQUES
1	6BL-11411-00	CRANKSHAFT VILEBREQUIN COMPLET	1	1	1	
2	6BG-11416-10	PLANE BEARING, CRANKSHAFT 1 COUSSINET DE VILEBREQUIN 1	6	6	6	UR RED
	6BG-11416-20	PLANE BEARING, CRANKSHAFT 1 COUSSINET DE VILEBREQUIN 1	6	6	6	UR PINK
	6BG-11416-30	PLANE BEARING, CRANKSHAFT 1 COUSSINET DE VILEBREQUIN 1	6	6	6	UR PINK UR GREEN
3	6C5-11650-10	CONNECTING ROD ASSY BIELLE COMPLETE	2	2	2	UR GREEN
4	6C5-11654-00	.BOLT, CONNECTING ROD .BOULON, BIELLE	2	2	2	
5	6CJ-11656-20	PLANE BEARING, CONNECTING ROD ROULEMENT DE BIELLE	4	4	4	UR PINK
	6CJ-11656-30	PLANE BEARING, CONNECTING ROD ROULEMENT DE BIELLE	4	4	4	UR PINK
	6CJ-11656-10	PLANE BEARING, CONNECTING ROD ROULEMENT DE BIELLE	4	4	4	UR GREEN UR GREEN UR RED
6	69W-11631-01-97	PISTON (STD) PISTON (STD)	2	2	2	
	69W-11635-01	PISTON (0.25MM O/S) PISTON (0.25MM O/S)	2	2	2	AP
	69W-11636-01	PISTON (0.50MM O/S) PISTON (0.50MM O/S)	2	2	2	AP
7	67C-11603-00	PISTON RING SET (STD) JEU DE SEGMENTS (STD)	2	2	2	
	67C-11604-00	PISTON RING SET (0.25MM O/S) JEU DE SEGMENTS (0.25MM O/S)	2	2	2	AP
	67C-11605-00	PISTON RING SET (0.50MM O/S) JEU DE SEGMENTS (0.50MM O/S)	2	2	2	AP AP AP
8	62Y-11633-00	PIN, PISTON AXE, PISTON	2	2	2	
9	93450-17129	CIRCLIP CIRCLIP	4	4	4	
10	6BL-11665-00	CONNECTING ROD ASSY 3 BIELLE COMPLETE	1	1	1	
11	6BL-11642-00	PISTON 2 (STD) PISTON 2 (STD)	1	1	1	
12	90170-20137	NUT ECROU	1	1	1	
13	93102-43M42	OIL SEAL JOINT SPY	1	1	1	
14	93101-35002	OIL SEAL JOINT SPY	1	1	1	


6BP1100-H030

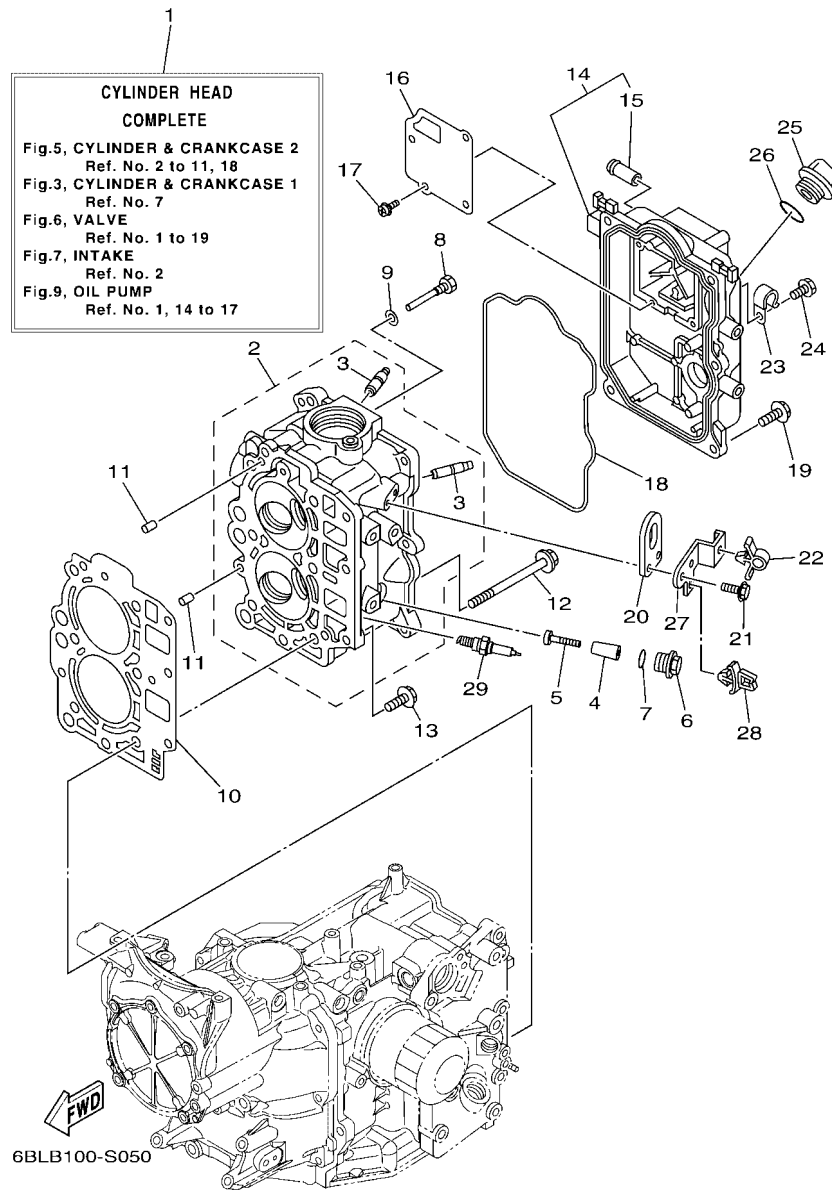
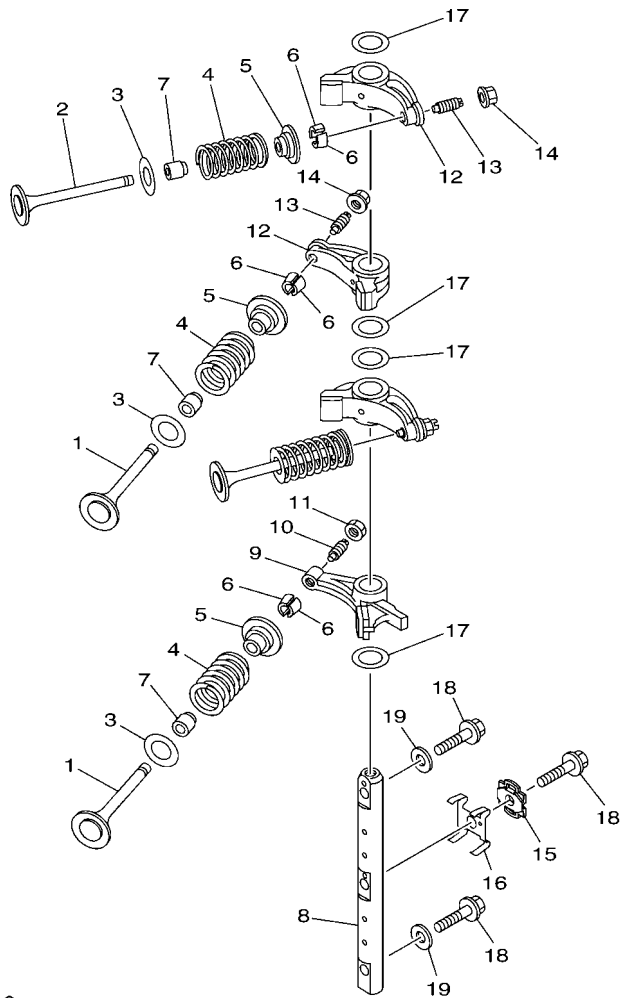


FIG. 5 CYLINDER & CRANKCASE 2

CYLINDRE & CARTER 2

REF. NO.	PART NO. N° PIECES	DESCRIPTION DESCRIPTION	U	L	M	REMARKS REMARQUES
1	6BL-W009A-10-1S	CYLINDER HEAD COMPLETE CULASSE (ENS.)	1	1	1	
2	6BL-11111-10-1S	HEAD, CYLINDER 1 CULASSE, 1	1	1	1	
3	62Y-11133-30	.GUIDE, VALVE 1 .GUIDE, SOUPAPE 1	4	4	4	
4	6BL-11325-00	ANODE ANODE	2	2	2	
5	98980-05035	SCREW, BIND VIS, DE PRESSION	2	2	2	
6	6G8-11197-A0	PLUG, BLIND PLOT, BORGNE	2	2	2	
7	93210-13M63	O-RING JOINT TORIQUE	2	2	2	
8	90109-06M65	BOLT BOULON	1	1	1	
9	90430-06014	GASKET JOINT	1	1	1	
10	6BL-11181-00	GASKET, CYLINDER HEAD 1 JOINT, DE CULASSE 1	1	1	1	
11	93606-12019	PIN, DOWEL GOUPILLE	2	2	2	
12	90105-09009	BOLT, FLANGE BOULON, A COLLERETTE	6	6	6	
13	90119-06MA3	BOLT, WITH WASHER BOULON, AVEC RONDELLE	3	3	3	
14	6BL-11191-00-1S	COVER, CYLINDER HEAD 1 COUVERCLE, CULASSE 1	1	1	1	
15	62Y-14485-00	.PIPE, JOINT .DURITE	1	1	1	
16	6BG-11168-00	COVER, BREATHER COUVERCLE, RENIFLARD	1	1	1	
17	97607-04210	SCREW, WITH WASHER VIS, AVEC RONDELLE	4	4	4	
18	6BL-11356-00	SEAL, CYLINDER 2 JOINT, SPY CYLINDRE	1	1	1	
19	97595-06520	BOLT, WITH WASHER VIS HEXAGONAL AVC RONDELLE	5	5	5	
20	62Y-11119-00	HANGER, ENGINE ANNEAU, LEVAGE	1	1	1	
21	97595-06520	BOLT, WITH WASHER VIS HEXAGONAL AVC RONDELLE	2	2	2	
22	90464-09023	CLAMP BRIDE	1	1	1	
23	90465-08M83	CLAMP BRIDE	1	1	1	
24	97595-06512	BOLT, WITH WASHER VIS HEXAGONAL AVC RONDELLE	1	1	1	
25	6G8-15363-00	PLUG, OIL PLOT, HUILE	1	1	1	
26	93210-24M79	O-RING JOINT TORIQUE	1	1	1	
27	6BL-82398-00	PLATE 3 PLAQUETTE 3	1	1	1	



6BP1100-H050

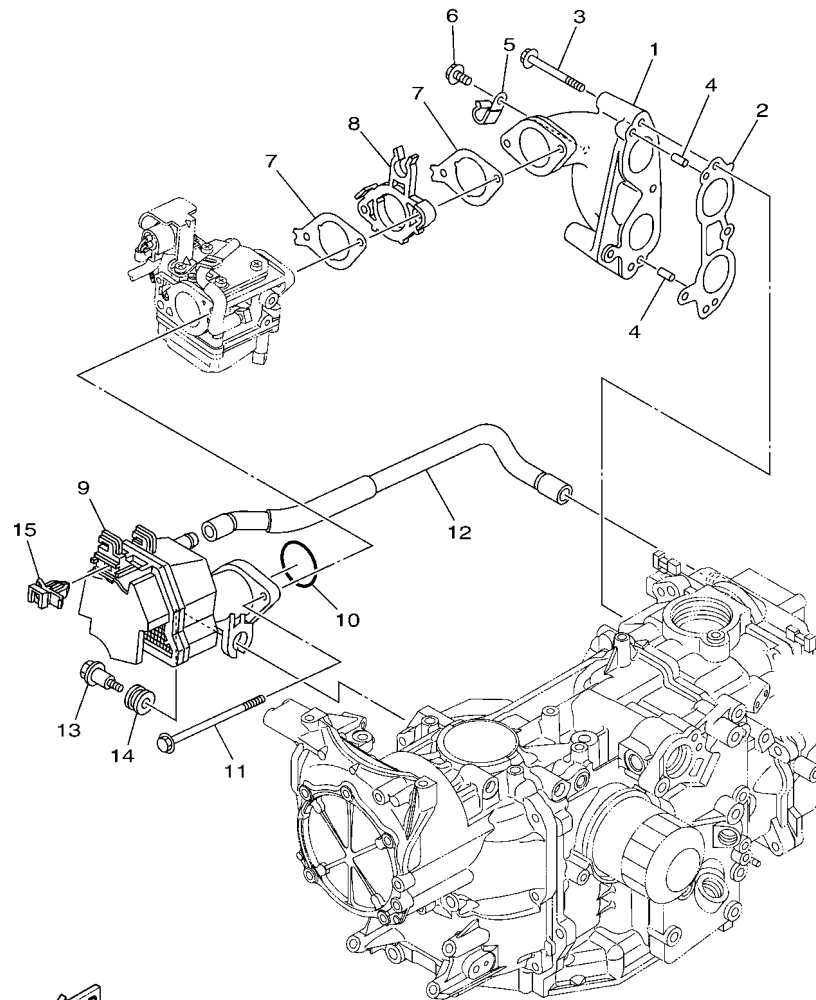
FIG. 6 VALVE

SOUPAPE

REF. NO.	PART NO. N° PIECES	DESCRIPTION DESCRIPTION	U	W	MT	REMARKS REMARQUES
1	69W-12111-00	VALVE, INTAKE SOUPAPE, ADMISSION	2	2	2	
2	69W-12121-10	VALVE, EXHAUST SOUPAPE, ECHAPPEMENT	2	2	2	
3	62Y-12116-00	SEAT, VALVE SPRING SIEGE, RESSORT DE SOUPAPE	4	4	4	
4	51Y-12114-00	SPRING, VALVE OUTER RESSORT DE SOUPAPE, EXTERNE	4	4	4	
5	30X-12117-00	RETAINER, VALVE SPRING BUTEE DE RESSORT DE SOUPAPE	4	4	4	
6	30X-12118-00	LOCK, VALVE SPRING RETAINER FRAISE, SOUPAPE	8	8	8	
7	51Y-12119-00	SEAL, VALVE STEM JOINT, QUEUE DE SOUPAPE	4	4	4	
8	6BL-12146-00	SHAFT, ROCKER AXE, CULBUTEUR	1	1	1	
9	62Y-12151-00	ARM, VALVE ROCKER CULBUTEUR	1	1	1	
10	64J-12159-00	SCREW, VALVE ADJUSTING VIS, REGLAGE DE SOUPAPE	1	1	1	
11	62Y-12158-00	NUT, LOCK CONTRE-ECROU	1	1	1	
12	6C5-12151-00	ARM, VALVE ROCKER CULBUTEUR	3	3	3	
13	6C5-12159-00	SCREW, VALVE ADJUSTING VIS, REGLAGE DE SOUPAPE	3	3	3	
14	6C5-12158-00	NUT, LOCK CONTRE-ECROU	3	3	3	
15	6BL-12231-00	GUIDE, STOPPER 1 GUIDE, BUTEE 1	1	1	1	
16	6BL-12233-00	PLATE, GUIDE STOPPER 1 PLAQUE, GUIDE BUTEE 1	1	1	1	
17	90201-16014	WASHER, PLATE RONDELLE, PLATE	4	4	4	
18	90105-08060	BOLT, FLANGE BOULON, A COLLERETTE	3	3	3	
19	92990-08200	WASHER, PLAIN RONDELLE, PLATE	2	2	2	

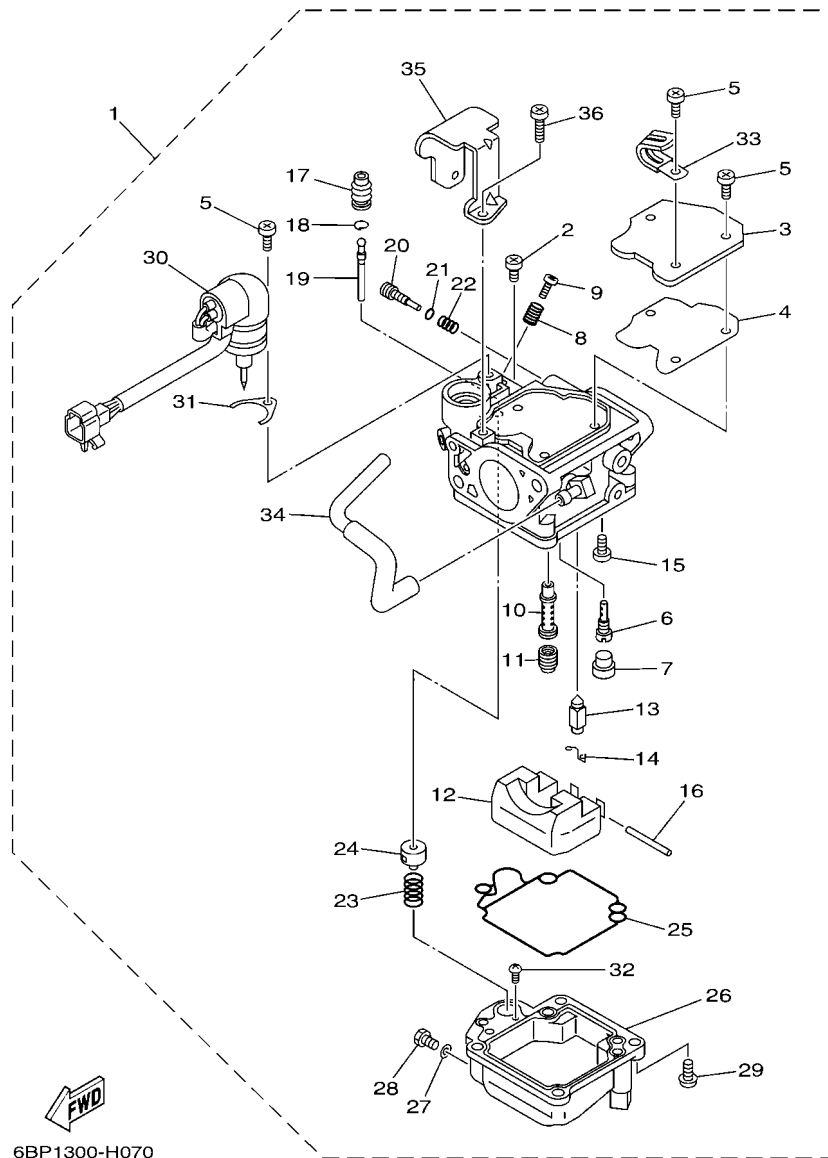
FIG. 7 INTAKE

ADMISSION



REF. NO.	PART NO. N° PIECES	DESCRIPTION DESCRIPTION				REMARKS REMARQUES
			U	L	MH	
1	6BL-13641-00-94	MANIFOLD, INTAKE 1 TUBULURE, ADMISSION 1	1	1	1	
2	6BL-13645-00	GASKET, MANIFOLD 1 JOINT, TUBULURE 1	1	1	1	
3	97595-06555	BOLT, WITH WASHER VIS HEXAGONAL AVC RONDELLE	4	4	4	
4	91690-50014	PIN, SPRING AGRAFFE	2	2	2	
5	90465-08M83	CLAMP BRIDE	1	1	1	
6	97595-06512	BOLT, WITH WASHER VIS HEXAGONAL AVC RONDELLE	1	1	1	
7	6BL-13646-00	GASKET, MANIFOLD 2 JOINT, TUBULURE 2	2	2	2	
8	6BL-14271-00	INSULATOR ISOLATEUR	1	1	1	
9	6BL-14440-00	SILENCER ASSY, INTAKE SIENCIEUX D'ADMISSION	1	1	1	
10	93210-39ME4	O-RING JOINT TORIQUE	1	1	1	
11	95895-06100	BOLT, FLANGE BOULON	2	2	2	
12	6BL-15373-00	PIPE, BREATHER DURITE DE RENIFLARD	1	1	1	
13	90109-06MA1	BOLT BOULON	1	1	1	
14	90480-16616	GROMMET PASSE-FIL	1	1	1	
15	90464-09M47	CLAMP BRIDE	1	1	1	


6BP7100-N070

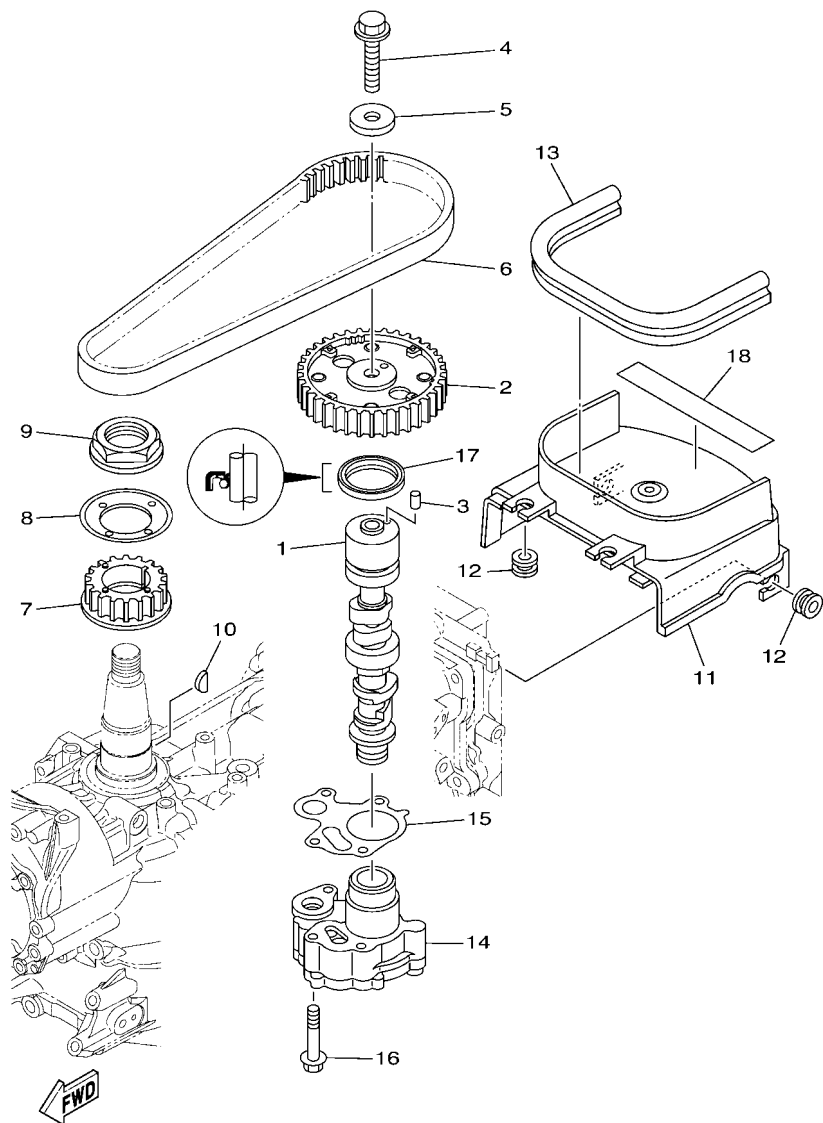


6BP1300-H070

FIG. 8 CARBURETOR

CARBURATEUR

REF. NO.	PART NO. N° PIECES	DESCRIPTION DESCRIPTION	U	L	MH	REMARKS REMARQUES
1	6BL-14301-11	CARBURETOR ASSY 1 CARBURATEUR COMPLET 1	1	1	1	
2	98580-04006	.SCREW, PAN HEAD .VIS	1	1	1	
3	65W-14572-00	.PLATE .PLAQUE	1	1	1	
4	65W-14126-10	.GASKET .JOINT	1	1	1	
5	97803-04010	.SCREW, PAN HEAD .VIS, CRUCIFORME	4	4	4	
6	676-14948-05	.JET (#45) .GICLEUR (#45)	1	1	1	
7	679-14966-00	.RUBBER CAP .CAPUCHON	1	1	1	
8	90501-10326	.SPRING, COMPRESSION .RESSORT, COMPRESSION	1	1	1	
9	63V-14523-00	.SCREW, STOP .VIS, BUTEE	1	1	1	
10	65W-14947-90	.JET, NEEDLE .GICLEUR DE STARTER	1	1	1	
11	65W-14943-79	.JET, MAIN (#108) .GICLEUR, PRINCIPAL (#108)	1	1	1	
12	63V-14985-00	.FLOAT .FLOTTEUR	1	1	1	
13	6AH-14546-00	.VALVE, NEEDLE .POINTEAU	1	1	1	
14	633-14159-00	.CLIP .JONC	1	1	1	
15	98580-04008	.SCREW, PAN HEAD .VIS	1	1	1	
16	6H4-14548-00	.PIN, FLOAT ARM .AXE, BRAS DE FLOTTEUR	1	1	1	
17	65W-14373-02	.COVER, PLUNGER CAP .COUVERCLE DE PLONGEUR	1	1	1	
18	65W-1439G-00	.CLIP 1 .JONC 1	1	1	1	
19	65W-14379-00	.ROD, STARTER .TRINGLE, STARTER	1	1	1	
20	6AH-14923-20	.SCREW, PILOT .VIS, RALENTI	1	1	1	
21	67F-14398-10	.O-RING .JOINT TORIQUE	1	1	1	
22	67C-14555-00	.SPRING .RESSORT	1	1	1	
23	65W-14335-00	.SPRING, PLUNGER .RESSORT, PLONGEUR	1	1	1	
24	65W-14371-00	.PLUNGER, STARTER .PLONGEUR, STARTER	1	1	1	
25	65W-14384-00	.GASKET, FLOAT CHAMBER .JOINT, CUVE DE FLOTTEUR	1	1	1	
26	65W-14980-20	.BODY, FLOAT CHAMBER .CORPS, CUVE DE FLOTTEUR	1	1	1	
27	65W-14398-00	.GASKET .JOINT	1	1	1	



6DN5300-N090

FIG. 9 OIL PUMP

POMPE A HUILE

REF. NO.	PART NO. N° PIECES	DESCRIPTION DESCRIPTION	EL	U	MH	REMARKS REMARQUES
1	6BL-12171-00	CAMSHAFT 1 ARBRE A CAMES 1	1	1		
	6BL-12170-00	CAMSHAFT ASSY 1 ENS ARBRE A CAMES 1			1	
2	6C5-11537-10	GEAR, DRIVEN PIGNON SECONDAIRE	1	1	1	
3	93605-17002	PIN, DOWEL AXE	1	1	1	
4	95817-10035	BOLT, FLANGE BOULON, A COLLERETTE	1	1	1	
5	90201-10144	WASHER, PLATE RONDELLE, PLATE	1	1	1	
6	6C5-46241-00	BELT COURROIE TRAPEZOIDALE	1	1	1	
7	6C5-11536-00	GEAR, DRIVE ENGRENAGE, MENANT	1	1	1	
8	62Y-11557-00	WASHER 1 RONDELLE 1	1	1	1	
9	90179-35001	NUT ECROU	1	1	1	
10	90280-03017	KEY, WOODRUFF CLAVETTE, DEMI-LUNE	1	1	1	
11	6BL-46297-00	COVER, DUST COUVERCLE, POUSSIÈRE	1	1	1	
12	90480-12314	GROMMET PASSE-FIL	4	4	4	
13	6BL-42617-00	DAMPER, FORM BOURRELET, CAOUTCHOUC	1	1	1	
14	6BL-13300-00	OIL PUMP ASSY POMPE A HUILE COMPLETE	1	1	1	
15	6C5-13329-00	GASKET, PUMP COVER JOINT, COUVERCLE DE POMPE	1	1	1	
16	90119-06025	BOLT, WITH WASHER BOULON, AVEC RONDELLE	4	4	4	
17	93102-37M40	OIL SEAL JOINT SPY	1	1	1	
18	6BP-13437-61	MARK, CAUTION MAKER	1	1	1	

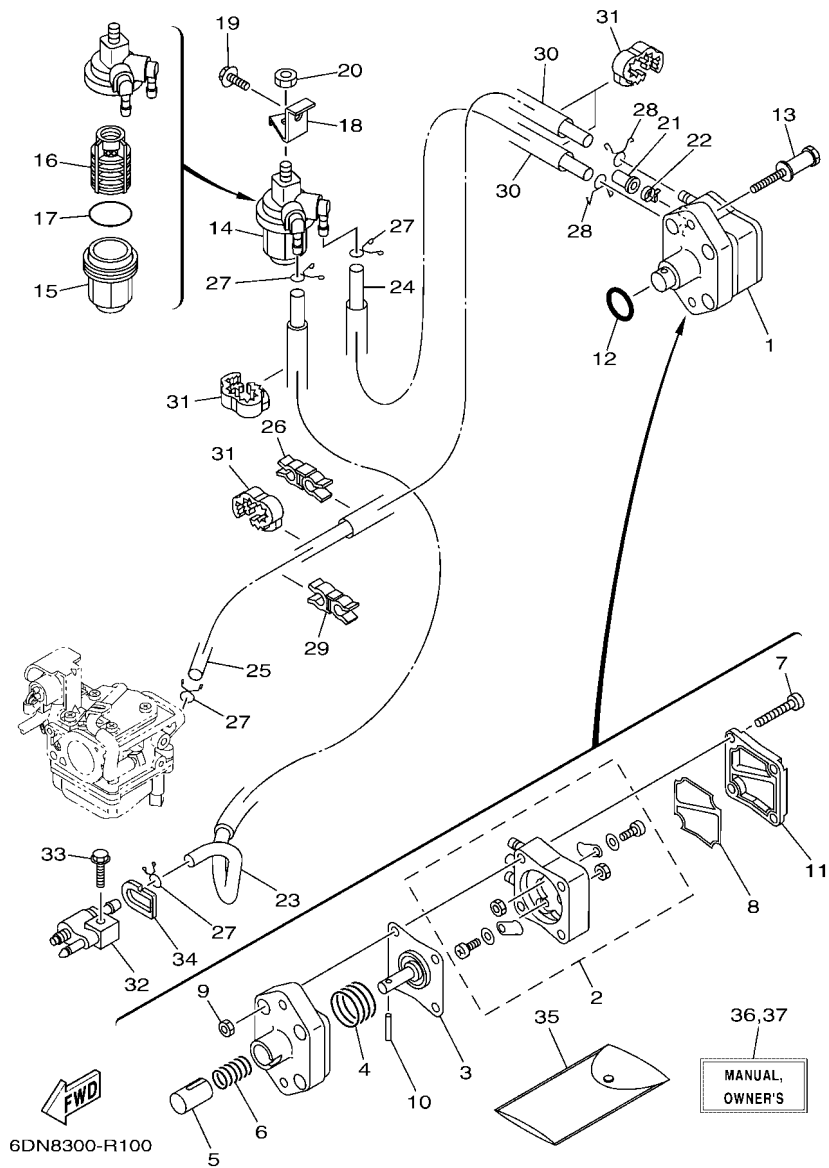


FIG. 10 FUEL

CARBURANT

REF. NO.	PART NO. N° PIECES	DESCRIPTION DESCRIPTION	U	L	M	REMARKS REMARQUES
1	62Y-24410-04	FUEL PUMP ASSY POMPE A ESSENCE	1	1	1	
2	62Y-24415-01	.BODY 4 .CORPS 4	1	1	1	
3	62Y-24411-02	.DIAPHRAGM .DIAPHRAGME	1	1	1	
4	62Y-24423-00	.SPRING, DIAPHRAGM .RESSORT, DIAPHRAGME	1	1	1	
5	62Y-13131-01	.PLUNGER .PLONGEUR	1	1	1	
6	62Y-24454-00	.SPRING .RESSORT	1	1	1	
7	62Y-24444-01	.SCREW .VIS	4	4	4	
8	6C5-24471-00	.DIAPHRAGM .DIAPHRAGME	1	1	1	
9	95380-05600	.NUT .ECROU	4	4	4	
10	62Y-24374-01	.PIN .PIN	1	1	1	
11	6C5-24414-00	.BODY 3 .CORPS 3	1	1	1	
12	93210-24M79	O-RING JOINT TORIQUE	1	1	1	
13	90109-06266	BOLT BOULON	2	2	2	
14	61N-24560-10	FILTER ASSY ENS FILTRE	1	1	1	
15	61N-24521-00	.CUP, FILTER .CUVETTE, FILTRE	1	1	1	
16	61N-24563-10	.ELEMENT, FILTER .ELEMENT, FILTRE	1	1	1	
17	93210-32738	O-RING JOINT TORIQUE	1	1	1	
18	6D5-24566-00	BRACKET, FILTER SUPPORT, FILTRE	1	1	1	
19	95895-08016	BOLT, FLANGE BOULON	1	1	1	
20	95380-08600	NUT ECROU	1	1	1	
21	6BL-24481-00	PLUG COUVERCLE	1	1	1	
22	90465-11M10	CLAMP BRIDE	1	1	1	
23	6BL-24311-00	PIPE, FUEL 1 DURITE A ESSENCE	1	1	1	
24	90445-10M20	HOSE (L150) DURITE (L150)	1	1	1	
25	90445-10MG7	HOSE (L350) DURITE (L350)	1	1	1	
26	90464-10M59	CLAMP BRIDE	1	1	1	
27	90467-09M17	CLIP JONC	4	4	4	

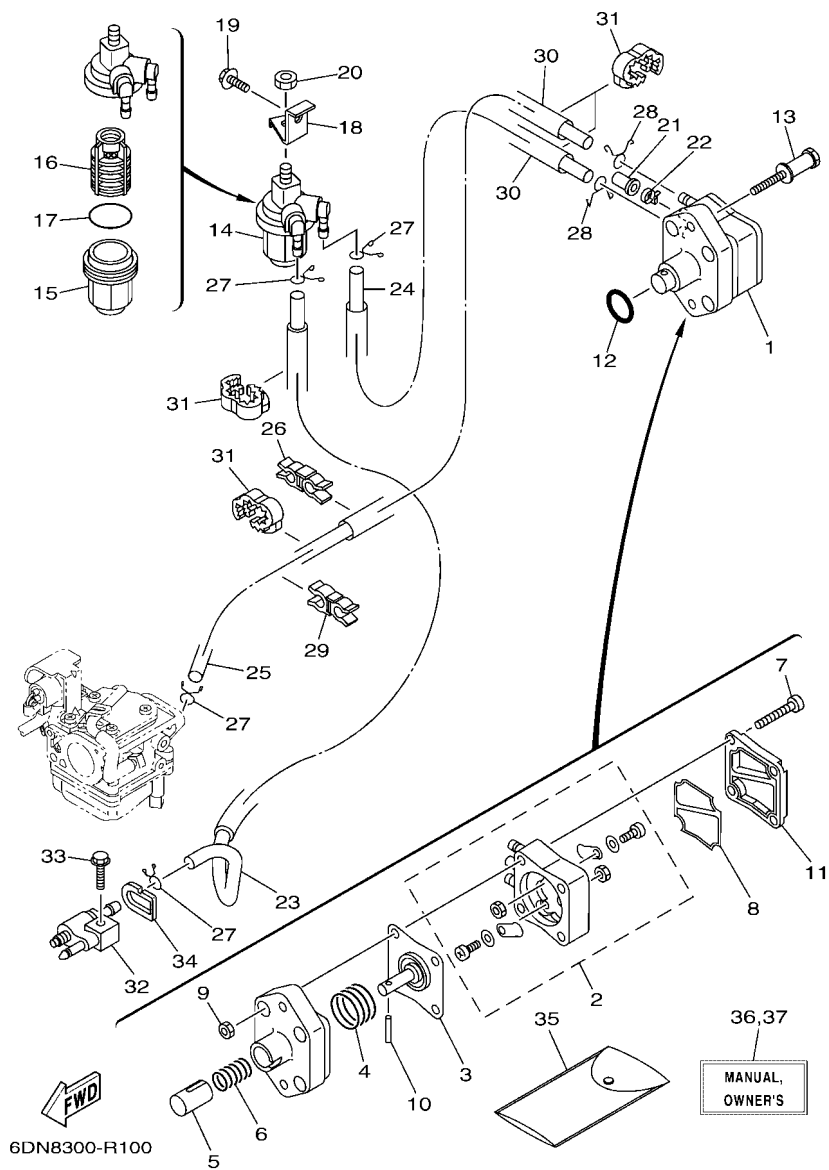
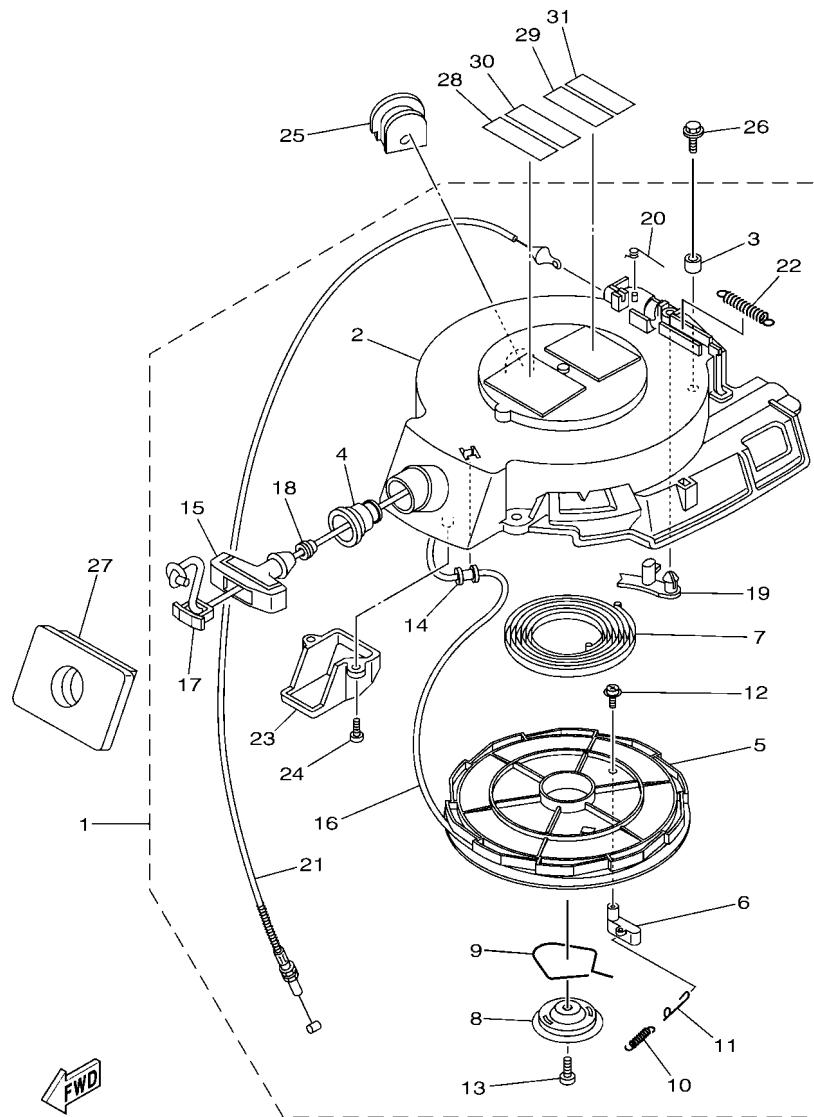


FIG. 10 FUEL

CARBURANT

REF. NO.	PART NO. N° PIECES	DESCRIPTION DESCRIPTION	U	W	M	REMARKS REMARQUES
28	90467-10M04	CLIP JONC	2	2	2	
29	90464-11009	CLAMP BRIDE	1	1	1	
30	90446-15003	HOSE (L100) DURITE (L100)	2	2	2	
31	90464-13227	CLAMP BRIDE	4	4	4	
32	6G1-24304-10	FUEL PIPE JOINT COMP. 1 DURITE RACCORDEMT. A ESSENCE	1	1	1	
33	97595-06525	BOLT, WITH WASHER VIS HEXAGONAL AVC RONDELLE	1	1	1	
34	61N-24329-00	SEAL JOINT	1	1	1	
35	62Y-28100-00	TOOL KIT TROUSSE A OUTILS	1	1	1	AP AP
36	6BP-28199-79-E0	MANUAL, OWNER'S MANUEL D'UTILISATION	1	1	1	UR (E) UR (E)
	6BP-28199-79-F0	MANUAL, OWNER'S MANUEL D'UTILISATION	1	1	1	UR (F) UR (F)
	6BP-28199-79-S0	MANUAL, OWNER'S MANUEL D'UTILISATION	1	1	1	UR (ES) UR (ES)
	6BP-28199-79-G0	MANUAL, OWNER'S MANUEL D'UTILISATION	1	1	1	UR (D) UR (D)
	6BP-28199-79-D0	MANUAL, OWNER'S MANUEL D'UTILISATION	1	1	1	UR (NL) UR (NL)
	6BP-28199-79-H0	MANUAL, OWNER'S MANUEL D'UTILISATION	1	1	1	UR (I) UR (I)
37	6BP-28199-89-K0	MANUAL, OWNER'S MANUEL D'UTILISATION	1	1	1	UR (DK) UR (DK)
	6BP-28199-89-R0	MANUAL, OWNER'S MANUEL D'UTILISATION	1	1	1	UR (GR) UR (GR)
	6BP-28199-89-P0	MANUAL, OWNER'S MANUEL D'UTILISATION	1	1	1	UR (P) UR (P)
	6BP-28199-89-N0	MANUAL, OWNER'S MANUEL D'UTILISATION	1	1	1	UR (N) UR (N)
	6BP-28199-89-M0	MANUAL, OWNER'S MANUEL D'UTILISATION	1	1	1	UR (S) UR (S)
	6BP-28199-89-L0	MANUAL, OWNER'S MANUEL D'UTILISATION	1	1	1	UR (SF) UR (SF)



6BP9300-Q110

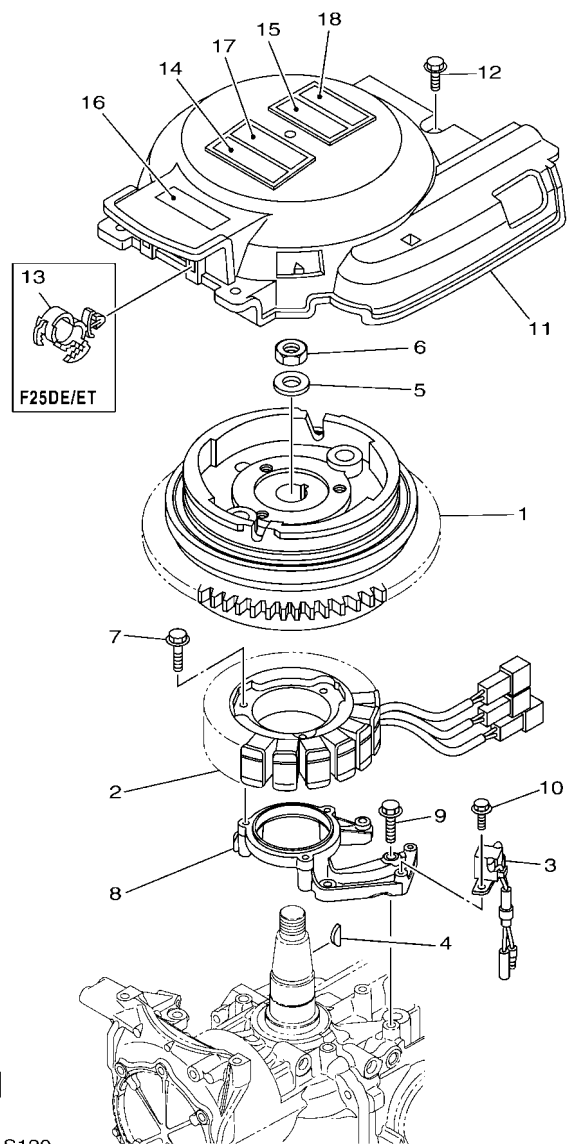
*1: CUT FROM 50M ROLLS, PART NO. 90790-48194, CUTTING LENGTH 2.1M

*1: A PRELEVER SUR BOBINE 50M ,REFERENCE 90790-48194, LONGUEUR DE COUPE 2.1M

FIG. 11 STARTER

DEMARREUR

REF. NO.	PART NO. N° PIECES	DESCRIPTION DESCRIPTION	E	L	M	H	REMARKS REMARQUES
1	6BL-15710-01	STARTER ASSY DEMARREUR COMPLET				1	
2	6BL-15711-01	.CASE, STARTER .CARTER DE DEMARREUR				1	
3	6BL-15764-00	.COLLAR 1 .COLLERETTE 1				3	
4	6AH-15795-00	.GUIDE, ROPE .GUIDE DE CABLE				1	
5	6BL-15714-00	.DRUM, SHEAVE .TAMBOUR, POULIE				1	
6	6AH-15741-10	.PAWL, DRIVE .CLIQUET, ENTRAINEMENT				1	
7	66T-15713-00	.SPRING, STARTER .RESSORT DE DEMARREUR				1	
8	66T-15716-00	.PLATE, DRIVE .PLAQUE, ENTRAINEMENT				1	
9	66T-15705-00	.SPRING, DRIVE PAWL .RESSORT DE CLIQUET				1	
10	66T-15767-00	.SPRING .RESSORT				1	
11	66T-15784-00	.SPRING, RETURN .RESSORT, RAPPEL				1	
12	6BL-15793-00	.SCREW .VIS				1	
13	68T-15793-00	.SCREW .VIS				1	
14	6BL-15764-00	.COLLAR 1 .COLLERETTE 1				1	
15	689-15755-01	.HANDLE, STARTER .POIGNEE, DE DEMARREUR				1	
16	*	.WIRE, STARTER (L:2100MM) .CABLE DE DEMARREUR (L:2100MM)				1	*1 *1
17	6F5-15779-02	.COVER .COUVERCLE				1	
18	6A0-15789-00	.DAMPER .AMORTISSEUR				1	
19	68T-15794-00	.STOPPER .BUTEE				1	
20	66T-15734-00	.SPRING, RETURN .RESSORT, RAPPEL				1	
21	6BL-15770-00	.CABLE COMP., STARTER STOP .CABLE, BUTEE DE DEMAR				1	
22	66T-15731-00	.SPRING, RETURN .RESSORT, RAPPEL				1	
23	6BL-15782-00	.COVER, SHEAVE .COUVERCLE, POULIE				1	
24	6AH-15793-00	.SCREW .VIS				2	
25	6BL-15357-00	GROMMET RONDELLE CAOUTCHOUC				1	
26	95875-06020	BOLT, FLANGE BOULON, A COLLERETTE				3	
27	6BL-15762-01	SEAL, RUBBER 2 JOINT CAOUTCHOUC 2				1	



6BPB300-S120

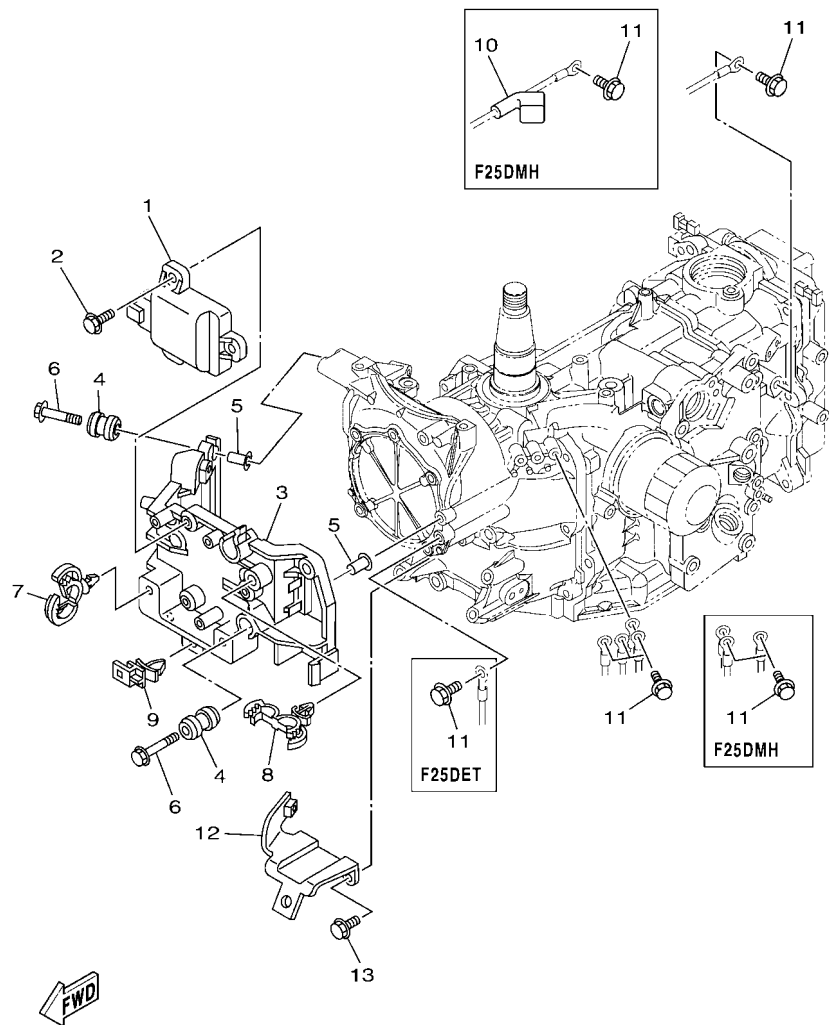
FIG. 12 GENERATOR

GENERATRICE

REF. NO.	PART NO. N° PIECES	DESCRIPTION DESCRIPTION				REMARKS REMARQUES
			U	W	MH	
1	6BL-85550-00	ROTOR ASSY ROTOR CPLT	1	1		
	6BL-85550-10	ROTOR ASSY ROTOR CPLT			1	
2	6BL-85510-00	STATOR ASSY STATOR CPLT	1	1		
	6BL-85510-10	STATOR ASSY STATOR CPLT			1	
3	6AH-85580-00	COIL, PULSER BOBINE, PULSEUR	1	1	1	
4	6H4-11545-00	KEY, WOODRUFF CLAVETTE, DEMI-LUNE	1	1	1	
5	90201-21M18	WASHER, PLATE RONDELLE, PLATE	1	1	1	
6	90170-20137	NUT ECROU	1	1	1	
7	95023-06030	BOLT BOULON, A COLLERETTE	3	3	3	
8	6BG-85561-00-94	BASE, MAGNETO BASE, MAGNETO	1	1	1	
9	95023-06025	BOLT BOULON, A COLLERETTE	4	4	4	
10	97595-05516	BOLT, WITH WASHER VIS HEXAGONAL AVC RONDELLE	2	2	2	
11	6BL-81337-00	COVER, FLYWHEEL COUVERCLE, VOLANT	1	1		
12	97595-06520	BOLT, WITH WASHER VIS HEXAGONAL AVC RONDELLE	3	3		
13	90464-12183	CLAMP BRIDE	2	2		
14	6EE-81994-40	LABEL, SAFETY ETIQUETTE, SECURITE	1	1		
15	6EE-81995-40	LABEL, WARNING ETIQUETTE, AVERTISSEMENT	1	1		
16	6AG-81996-00	MARK MARQUE	1	1		
17	6EE-81994-50	LABEL, SAFETY ETIQUETTE, SECURITE	1	1		
18	6EE-81995-50	LABEL, WARNING ETIQUETTE, AVERTISSEMENT	1	1		

FIG. 13 ELECTRICAL 1

PARTIE ELECTRIQUE 1

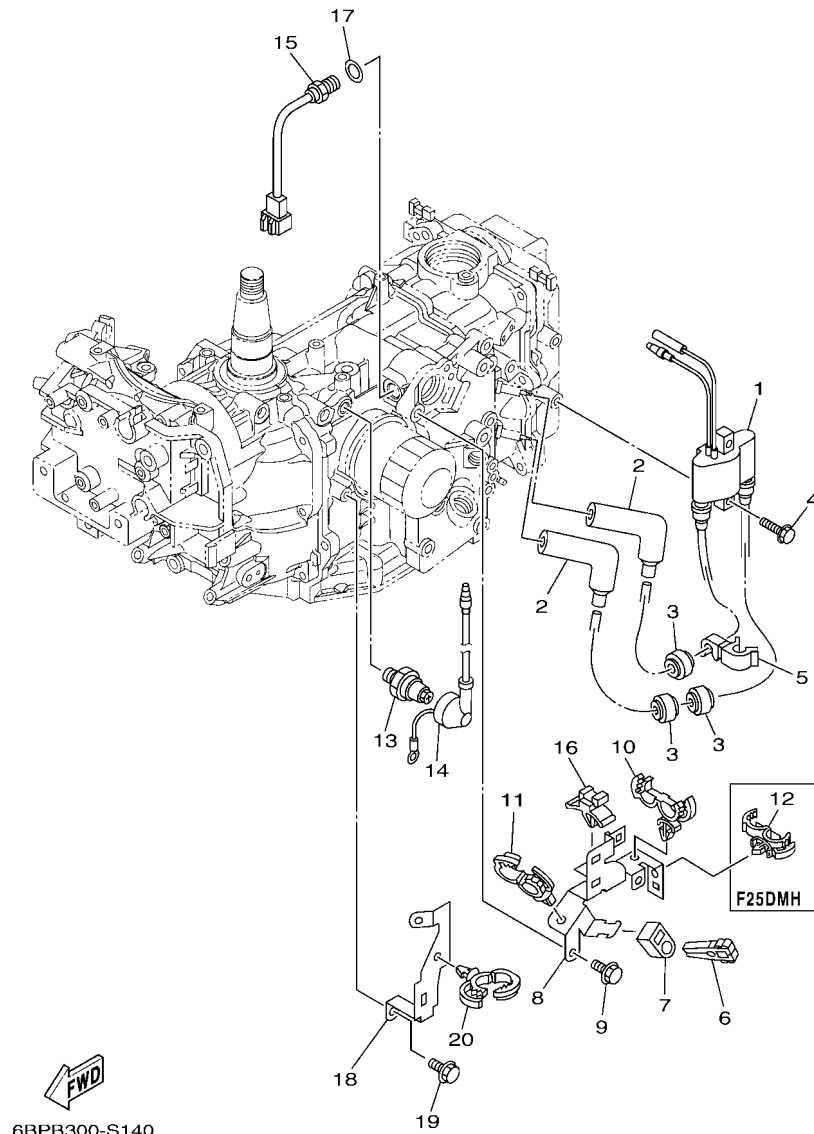


6BPB300-S130

REF. NO.	PART NO. N° PIECES	DESCRIPTION DESCRIPTION	U	W	MH	REMARKS REMARQUES
1	6BL-85540-00	C.D.I. UNIT ASSY BLOC C.D.I.	1	1	1	
2	97575-06520	BOLT, WITH WASHER VIS HEXAGONAL AVC RONDELLE	3	3	3	
3	6BL-81948-00	BRACKET SUPPORT	1	1	1	
4	6A0-82317-00	DAMPER, IGNITION COIL AMORTISSEUR, BOBINE D'ALLUM	4	4	4	
5	90387-06119	COLLAR COLLERETTE	4	4	4	
6	95895-06030	BOLT, FLANGE BOULON	4	4	4	
7	90464-12183	CLAMP BRIDE	2			
	90464-13249	CLAMP BRIDE		2	2	
8	90464-18246	CLAMP BRIDE	2	2		
9	90464-12002	CLAMP BRIDE	1	1	1	
10	6BL-82119-00	COVER, LEAD WIRE GARNITURE, FIL			1	
11	97595-06516	BOLT, WITH WASHER VIS HEXAGONAL AVC RONDELLE	5			
	97595-06516	BOLT, WITH WASHER VIS HEXAGONAL AVC RONDELLE		4		
	97595-06516	BOLT, WITH WASHER VIS HEXAGONAL AVC RONDELLE			3	
12	6BL-82554-00	STAY, NEUTRAL SWITCH SUPPORT, CONT DE POINT-MORT	1	1	1	
13	95895-06014	BOLT, FLANGE BOULON	2	2	2	

FIG. 14 ELECTRICAL 2

PARTIE ELECTRIQUE 2

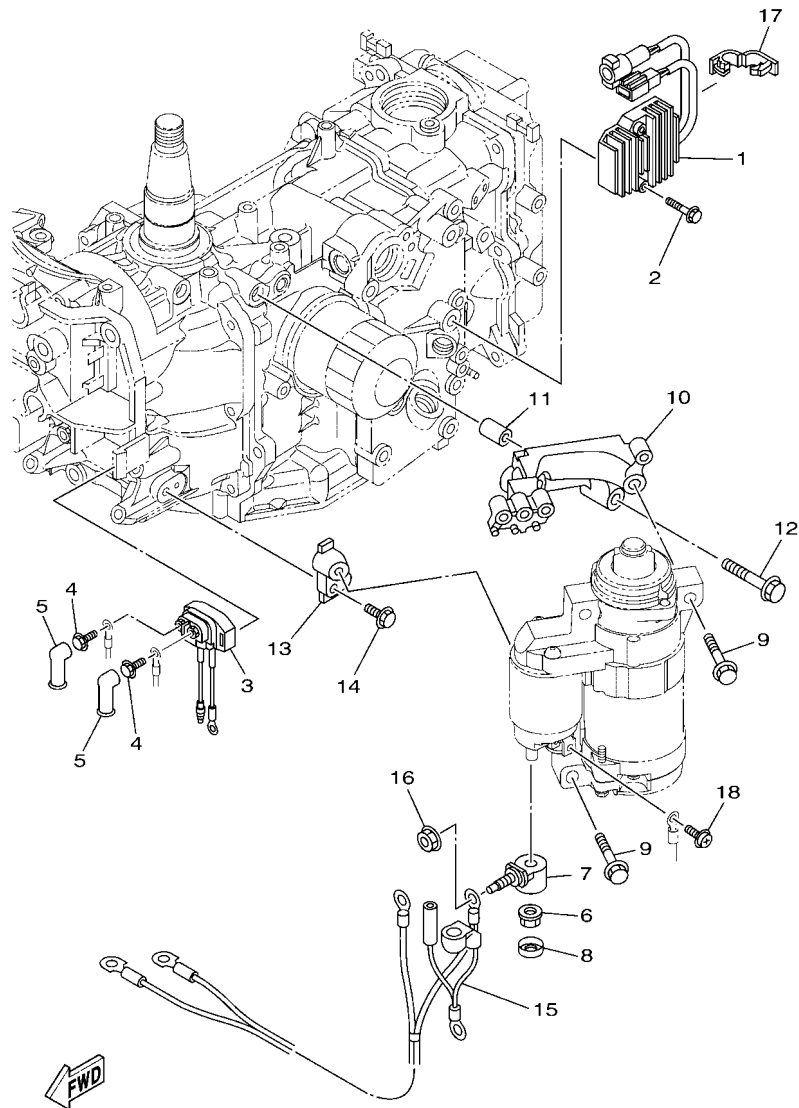


6BPB300-S140

REF. NO.	PART NO. N° PIECES	DESCRIPTION DESCRIPTION	U	L	M	REMARKS REMARQUES
1	6F5-85570-13	IGNITION COIL ASSY BOBINE D'ALLUMAGE (ENS.)	1	1	1	
2	6AH-82370-00	PLUG CAP ASSY ANTIPARASITE	2	2	2	
3	90480-25003	GROMMET PASSE-FIL	3	3	3	
4	97595-06525	BOLT, WITH WASHER VIS HEXAGONAL AVC RONDELLE	2	2	2	
5	90464-09018	CLAMP BRIDE	1	1	1	
6	67F-2812A-00	PULLER, FUSE TENDEUR, FUSIBLE	1	1		
7	67C-82155-00	BAND COLLIER	1	1		
8	6BL-8339X-00	CLAMP, CORD COLLIER, CORDON	1	1	1	
9	97595-06516	BOLT, WITH WASHER VIS HEXAGONAL AVC RONDELLE	2	2	2	
10	90464-18246	CLAMP BRIDE	1	1	1	
11	90464-20181	CLAMP BRIDE	1	1	1	
12	90464-18246	CLAMP BRIDE			1	
13	64J-82504-00	OIL PRESSURE SWITCH ASSY CONTACTEUR DE PRESSION D'HUILE	1	1	1	
14	68V-81315-00	LEAD WIRE ASSY FIL	1	1	1	
15	6CJ-85790-00	THERMOSENSOR ASSY SENSITOMETRE	1	1	1	
16	90464-09M47	CLAMP BRIDE	1	1	1	
17	90430-14115	GASKET JOINT	1	1	1	
18	6BL-82389-00	PLATE 2 PLAQUETTE 2	1	1	1	
19	97595-06516	BOLT, WITH WASHER VIS HEXAGONAL AVC RONDELLE	2	2	2	
20	90464-20181	CLAMP BRIDE	1	1	1	

FIG. 15 ELECTRICAL 3

PARTIE ELECTRIQUE 3

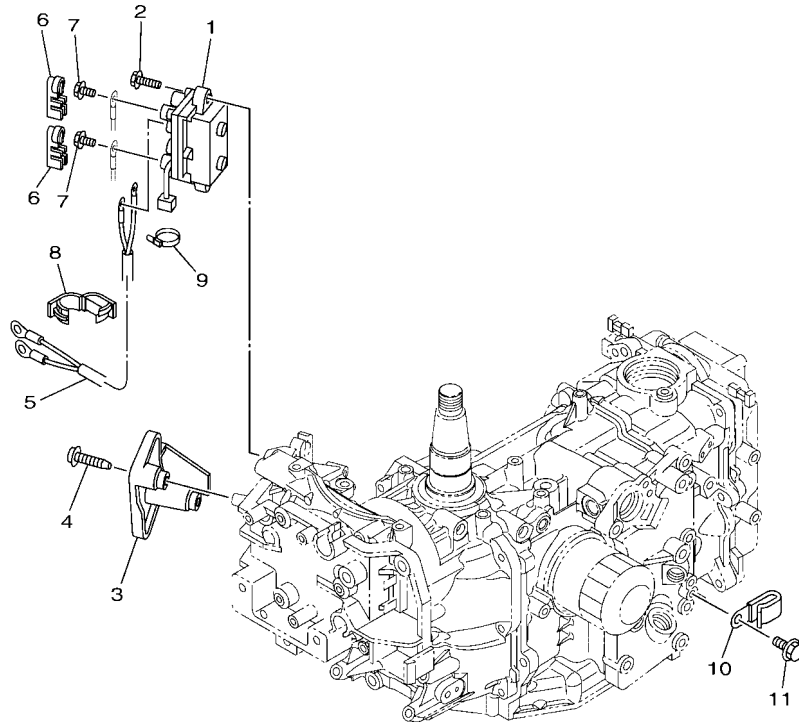


6BLB100-S140

REF. NO.	PART NO. N° PIECES	DESCRIPTION DESCRIPTION	U	W	MH	REMARKS REMARQUES
1	6BL-81960-00	RECTIFIER & REGULATOR ASSY REDRESSEUR REGULATEUR CPLT	1	1		
2	97595-06540	BOLT, WITH WASHER VIS HEXAGONAL AVC RONDELLE	2	2		
3	68T-81940-00	STARTER RELAY ASSY LANCEUR RELAIS (ENS.)	1	1		
4	97595-06610	BOLT, WITH WASHER VIS HEXAGONAL AVC RONDELLE	2	2		
5	6G5-82119-10	COVER, LEAD WIRE GARNITURE, FIL	2	2		
6	6BL-8182A-00	NUT ECROU	1	1		
7	6BL-81925-00	TERMINAL BORNE	1	1		
8	6BL-8183X-00	CAP, TERMINAL COUVERCLE, BORNE	1	1		
9	97513-08545	BOLT, WITH WASHER VIS HEXAGONAL AVC RONDELLE	3	3		
10	6BL-81822-00	BRACKET, STARTING MOTOR SUPPORT, DEMARREUR ELECTRIQUE	1	1	1	
11	99530-10114	PIN, DOWEL GOUJON, D'ASSEMBLAGE	2	2	2	
12	97513-08545	BOLT, WITH WASHER VIS HEXAGONAL AVC RONDELLE	2	2	2	
13	6BL-81823-00	STAY, STARTING MOTOR SUPPORT	1	1		
14	97575-06520	BOLT, WITH WASHER VIS HEXAGONAL AVC RONDELLE	1	1		
15	6BL-82105-01	BATTERY CABLE CABLE DE BATTERIE	1	1		
16	90179-08003	NUT ECROU	1	1		
17	90464-18004	CLAMP BRIDE	1	1		
18	90159-05M12	SCREW, WITH WASHER VIS, AVEC RONDELLE	1	1		

FIG. 16 ELECTRICAL 4

PARTIE ELECTRIQUE 4

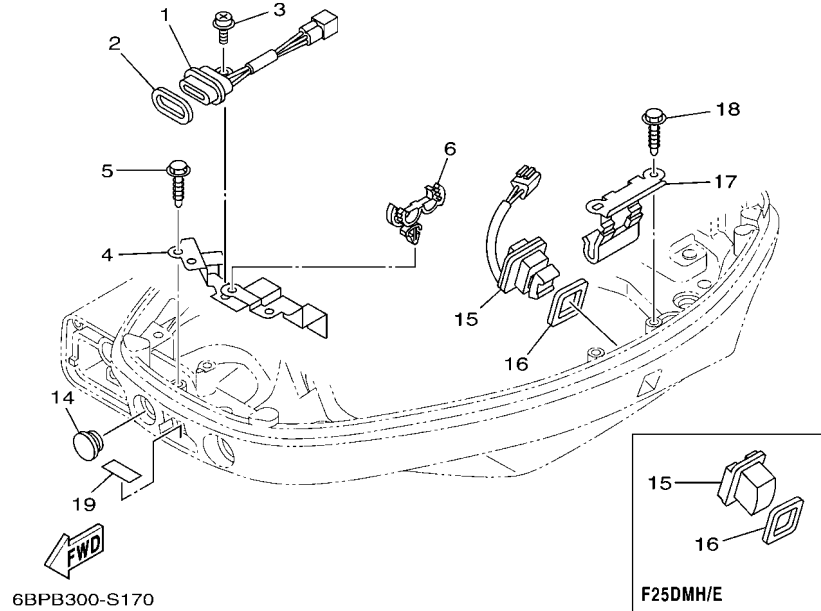
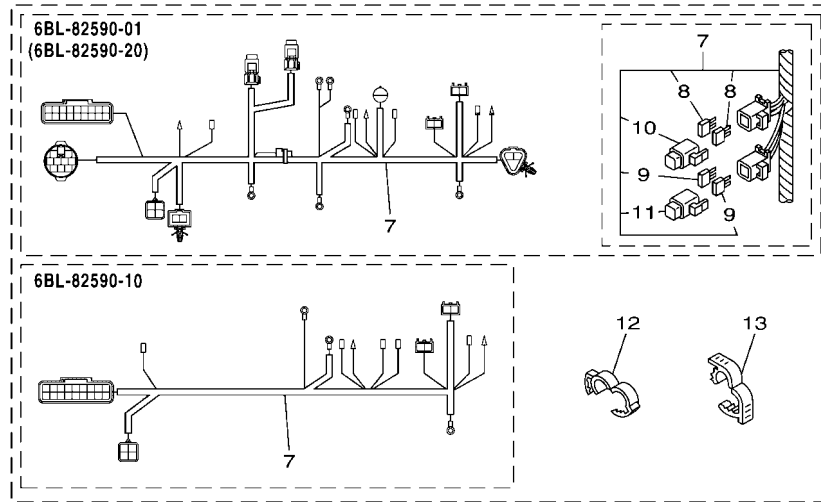


REF. NO.	PART NO. N° PIECES	DESCRIPTION DESCRIPTION	E	T	E	MH	REMARKS REMARQUES
1	63P-81950-00	RELAY ASSY RELAIS COMPLET	1				
2	97575-06520	BOLT, WITH WASHER VIS HEXAGONAL AVC RONDELLE	2				
3	6BL-81942-00	COVER COUVERCLE	1				
4	90167-05009	SCREW, TAPPING VIS, TETE FRAISEE	2				
5	6BL-81949-00	WIRE, LEAD FIL	1				
6	6P2-8183X-00	CAP, TERMINAL COUVERCLE, BORNE	2				
7	97595-06610	BOLT, WITH WASHER VIS HEXAGONAL AVC RONDELLE	2				
8	90464-18004	CLAMP BRIDE	1				
9	90465-11M10	CLAMP BRIDE	1				
10	90465-06M90	CLAMP BRIDE	1				
11	97595-06516	BOLT, WITH WASHER VIS HEXAGONAL AVC RONDELLE	1				


6BLB100-S150

FIG. 17 ELECTRICAL 5

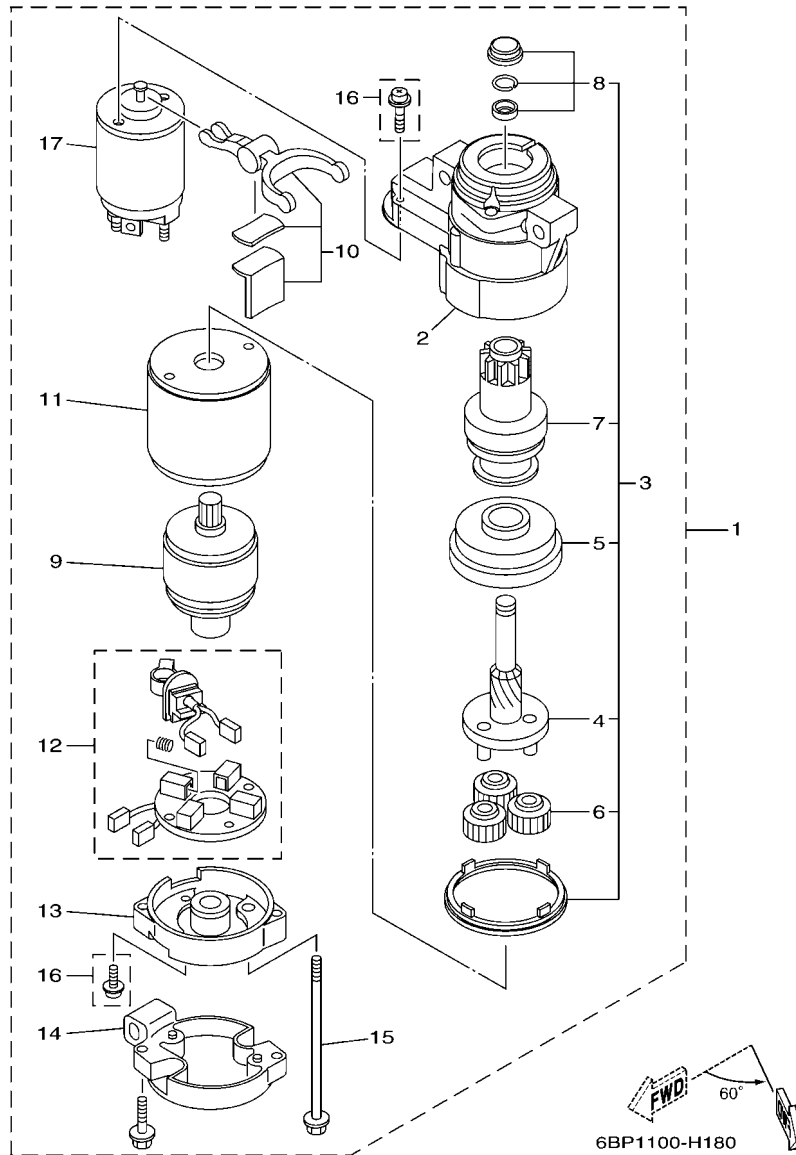
PARTIE ELECTRIQUE 5



REF. NO.	PART NO. N° PIECES	DESCRIPTION DESCRIPTION	U	W	MH	REMARKS REMARQUES
1	62Y-84301-00	PILOT LIGHT ASSY 1 LAMPE-TEMOIN 1	1	1	1	
2	6FM-83589-00	GASKET GARNITURE	1	1	1	
3	97985-06212	SCREW, WITH WASHER VIS, AVEC RONDELLE	1	1	1	
4	6BL-82388-00	PLATE PLAQUETTE	1	1	1	
5	90109-06M86	BOLT BOULON	2	2	2	
6	90464-18246	CLAMP BRIDE	1	1		
7	6BL-82590-01	WIRE HARNESS ASSY FAISCEAU DE FILS COMPLET	1			
	6BL-82590-20	WIRE HARNESS ASSY FAISCEAU DE FILS COMPLET		1		
	6BL-82590-10	WIRE HARNESS ASSY FAISCEAU DE FILS COMPLET			1	
8	67F-82151-00	.FUSE (20A) .FUSIBLE (20A)	2	2		
9	67F-82151-10	.FUSE (30A) .FUSIBLE (30A)	2	2		
10	67F-8215B-10	.CAP (YELLOW) .BOUCHON (YELLOW)	1	1		
11	67F-8215B-20	.CAP (GREEN) .BOUCHON (GREEN)	1	1		
12	90464-16001	CLAMP BRIDE	1			
	90464-18004	CLAMP BRIDE	1	1		
13	90464-18004	CLAMP BRIDE	1	1		
	90464-09010	CLAMP BRIDE			1	
14	6G1-42725-00	GROMMET PASSE-FIL	1	1	1	
15	69J-82563-01	TRIM & TILT SWITCH ASSY INCLINER ET PARER COMMUTATEUR	1			
	69J-42723-01	COVER, BOTTOM COUVERCLE		1	1	
16	69J-82587-00	GASKET JOINT	1	1	1	
17	63P-83614-01	BRACKET SUPPORT	1	1	1	
18	90109-06M86	BOLT BOULON	2	2	2	
19	67C-85415-00	MARK, SIGNAL LAMP ETIQUETTE	1	1	1	

FIG. 18 STARTING MOTOR

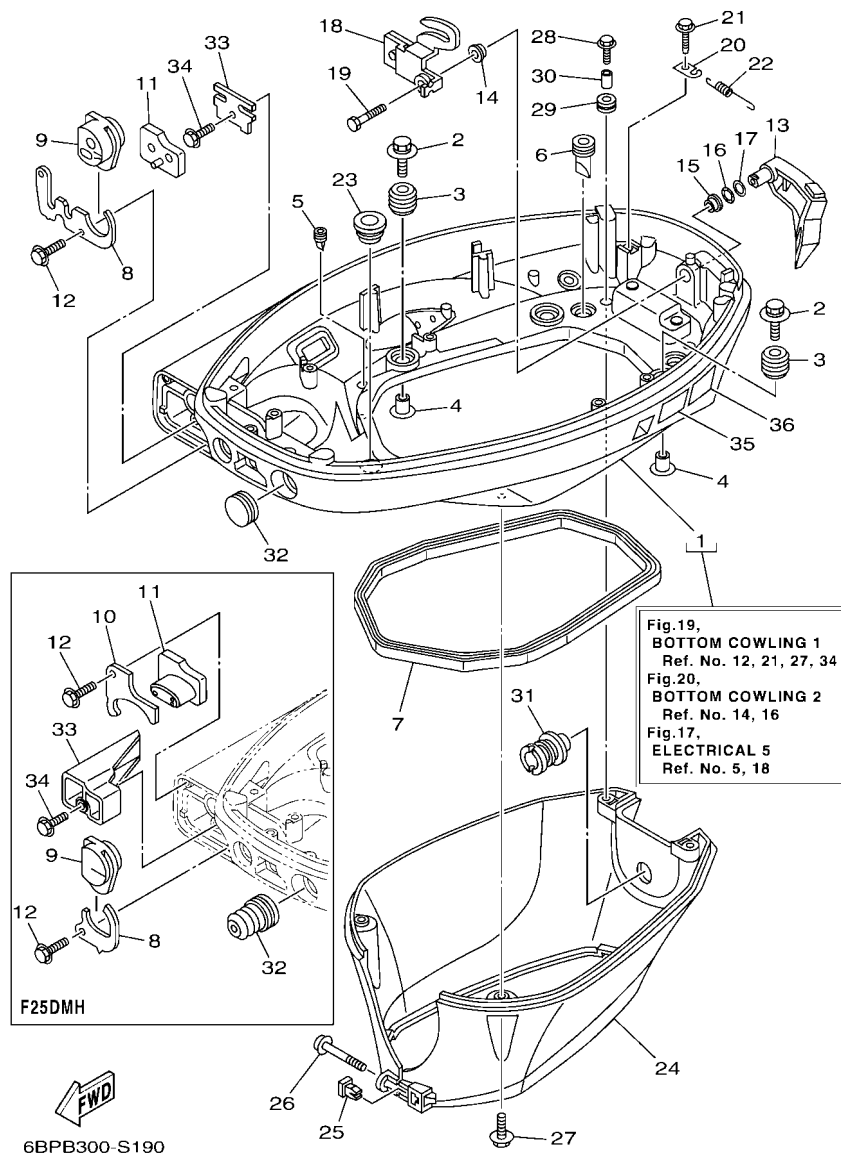
DEMARREUR ELECTRIQUE



REF. NO.	PART NO. N° PIECES	DESCRIPTION DESCRIPTION	E	L	MH	REMARKS REMARQUES
1	6BG-81800-00	STARTING MOTOR ASSY DEMARREUR ELECTRIQUE COMPLET	1	1		
2	6BG-81830-00	.FRONT BRACKET ASSY .SUPPORT AVANT	1	1		
3	6BG-81807-00	.GEAR ASSY, STARTING MOTOR .PIGNON, DEMARREUR ELECTRIQUE	1	1		
4	6BG-81836-00	.SPRING, LEVER .RESSORT, LEVIER	1	1		
5	6BG-81891-00	.GEAR, RING .ROUE DENTEE	1	1		
6	6AW-8183T-00	.GEAR, IDLER .PIGNON, INTERMEDIAIRE	3	3		
7	6BG-81832-00	.CLUTCH, OVER RUN .EMBRAYAGE, ROUE LIBRE	1	1		
8	6BG-81857-00	.PINION STOPPER SET .BUTEE PIGNON	1	1		
9	6BG-81850-00	.ARMATURE ASSY .INDUIT	1	1		
10	6BG-81839-00	.LEVER ASSY .LEVIER COMPLET	1	1		
11	6BG-81810-00	.STATOR ASSY .STATOR COMPLET	1	1		
12	6BG-81840-00	.BRUSH HOLDER ASSY .SUPPORT DE CHARBON	1	1		
13	6BG-81820-00	.REAR BRACKET ASSY .SUPPORT ARRIERE COMPLET	1	1		
14	6BG-8182J-00	.BRACKET COMPLETE .SUPPORTE COMPLETE	1	1		
15	6BG-81826-00	.BOLT .BOULON	2	2		
16	6BG-81846-00	.SCREW SET .VIS	1	1		
17	6BG-81941-00	.STARTER RELAY ASSY .LANCEUR RELAIS (ENS.)	1	1		

FIG. 19 BOTTOM COWLING 1

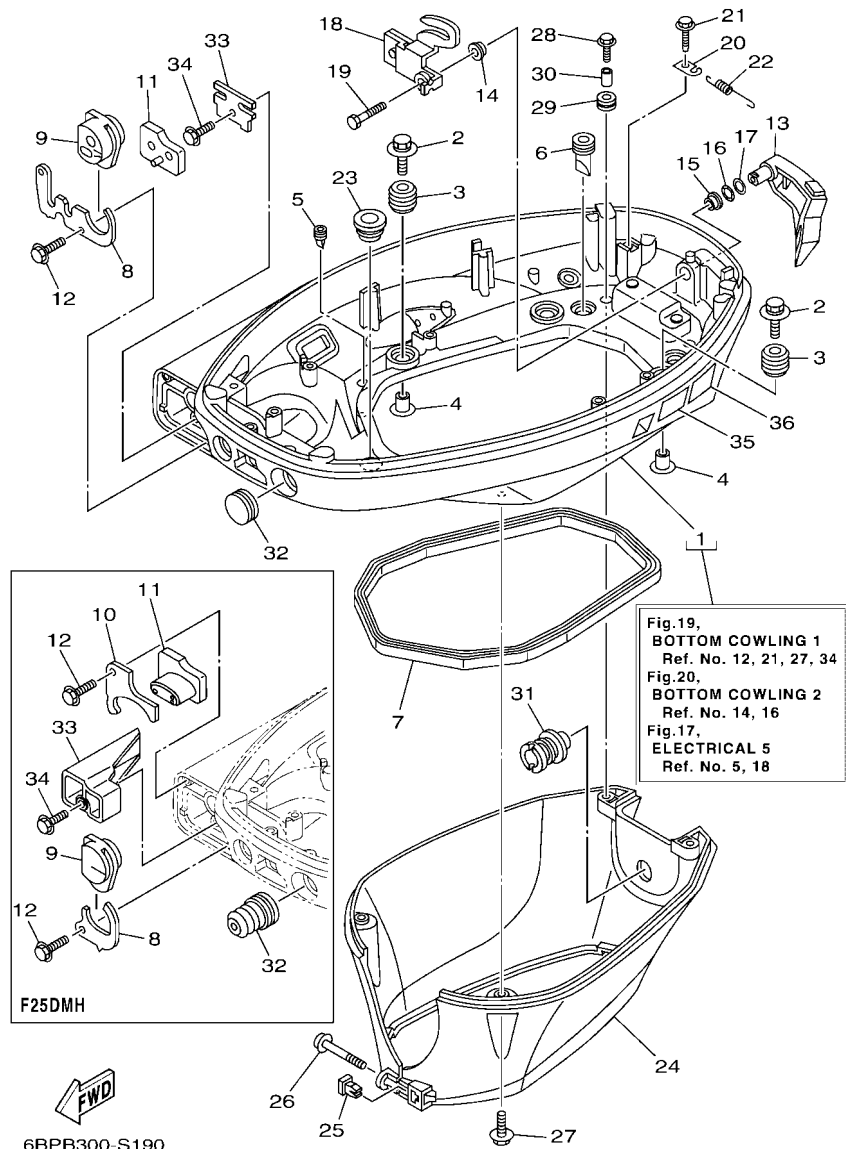
CAPOT INFERIEUR 1



REF. NO.	PART NO. N° PIECES	DESCRIPTION DESCRIPTION	U	L	M	REMARKS REMARQUES
1	6BP-42710-00-8D	BOTTOM COWLING ASSY ENS. EMBASE	1	1	1	
2	90119-06M61	BOLT, WITH WASHER BOULON, AVEC RONDELLE	4	4	4	
3	6BG-42748-00	GROMMET PASSE-FIL	4	4	4	
4	90387-06M69	COLLAR COLLERETTE	4	4	4	
5	65W-42717-00	RUBBER, SEAL 2 JOINT EN CAOUTCHOUC 2	2	2	2	
6	61A-42717-00	RUBBER, SEAL 2 JOINT EN CAOUTCHOUC 2	2	2	2	
7	62Y-42716-00	RUBBER SEAL 1 JOINT EN CAOUTCHOUC 1	1	1	1	
8	6BL-42761-00	STOPPER PLAQUETTE	1	1		
	6BL-42761-10	STOPPER PLAQUETTE			1	
9	6BL-42725-01	GROMMET PASSE-FIL	1	1		
	6BL-42725-10	GROMMET PASSE-FIL			1	
10	6BL-42762-10	STOPPER PLAQUETTE			1	
11	6BL-42727-00	GROMMET PASSE-FIL	1	1		
	6BL-42727-10	GROMMET PASSE-FIL			1	
12	90109-06M86	BOLT BOULON	2	2	2	
13	6BL-42815-00-8D	LEVER, CLAMP 1 LEVIER, PRESSE 1	1	1	1	
14	90386-12M37	BUSH DOUILLE	1	1	1	
15	90386-12MA2	BUSH DOUILLE	1	1	1	
16	90206-12052	WASHER, WAVE RONDELLE, ONDULEE	1	1	1	
17	90201-12M07	WASHER, PLATE RONDELLE, PLATE	1	1	1	
18	6BG-42816-00	LEVER, CLAMP 2 LEVIER, PRESSE 2	1	1	1	
19	97095-06012	BOLT BOULON	1	1	1	
20	66T-43144-00	HOOK, SPRING CROCHET	1	1	1	
21	90109-06M86	BOLT BOULON	1	1	1	
22	90506-18023	SPRING, TENSION RESSORT, TENSION	1	1	1	
23	68U-42727-00	GROMMET PASSE-FIL	1	1	1	
24	6BP-42741-00	APRON CAPOT LATERAL	1	1	1	

FIG. 19 BOTTOM COWLING 1

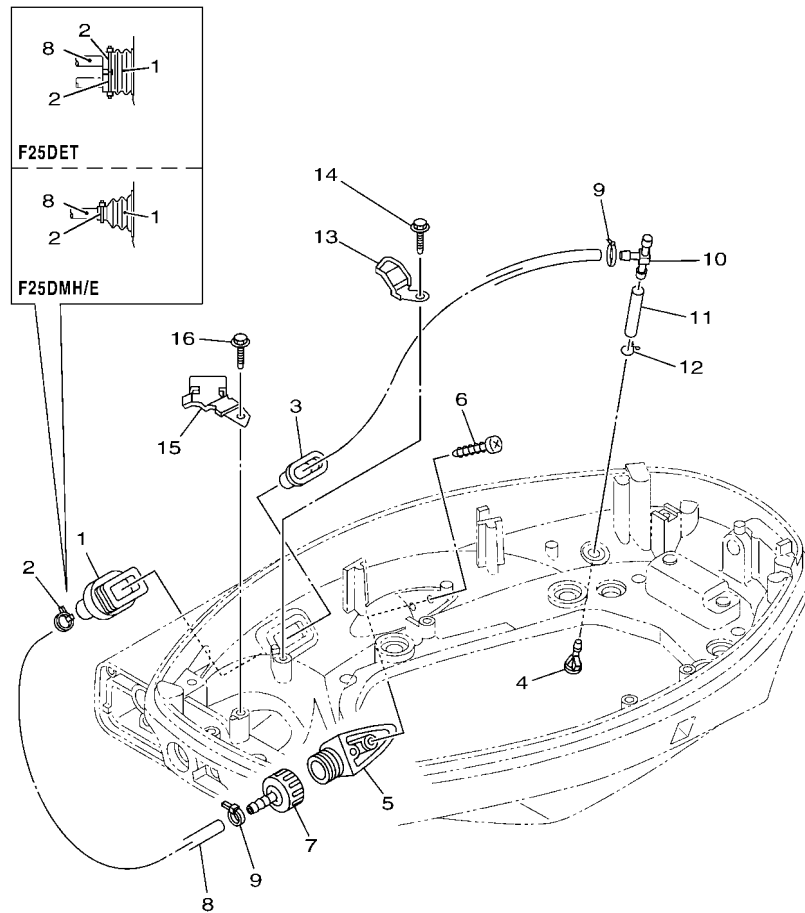
CAPOT INFERIEUR 1



REF. NO.	PART NO. N° PIECES	DESCRIPTION DESCRIPTION	LT	W	MT	REMARKS REMARQUES
25	60V-42756-00	STAY, CLAMP SUPPORT, COLLIER	1	1	1	
26	97980-04245	SCREW, WITH WASHER VIS, AVEC RONDELLE	1	1	1	
27	90109-06M86	BOLT BOULON	2	2	2	
28	97595-06514	BOLT, WITH WASHER VIS HEXAGONAL AVEC RONDELLE	2	2	2	
29	90480-13M24	GROMMET PASSE-FIL	2	2	2	
30	90387-06M43	COLLAR COLLERETTE	2	2	2	
31	6BP-42769-00	SEAL, RUBBER BOURRELET, CAOUTCHOUC	1	1	1	L(21.7") L(21.7")
32	65W-42726-10	GROMMET PASSE-FIL	1	1		
	65W-42726-00	GROMMET PASSE-FIL			1	
33	6BL-48538-00	CLAMP, CABLE 1 COLLIER	1	1		
	6BL-42735-00	PROTECTOR PROTECTEUR			1	
34	90109-06M86	BOLT BOULON	1	1	1	
35	6EE-42794-40	LABEL, WARNING (GENERAL) ETIQUETTE, AVERTISSEMENT	1	1	1	
36	6EE-42794-50	LABEL, WARNING (GENERAL) ETIQUETTE, AVERTISSEMENT	1	1	1	

FIG. 20 BOTTOM COWLING 2

CAPOT INFERIEUR 2



 6BPA300-R200

REF. NO.	PART NO. N° PIECES	DESCRIPTION DESCRIPTION				REMARKS REMARQUES
			E	L	MH	
1	6H1-42726-21	GROMMET PASSE-FIL	1			
	6BG-42724-00	GROMMET PASSE-FIL		1	1	
2	90465-11M10	CLAMP BRIDE	2			
	90465-11M10	CLAMP BRIDE		1	1	
3	6BG-42384-00	SEAL, CAP JOINT, CAPUCHON	1	1	1	
4	6BL-44391-00	NIPPLE, HOSE RACCORD D'ESSENCE	1	1	1	
5	6AW-12572-00	ADAPTER ADAPTATEUR	1	1	1	
6	97780-60520	SCREW, TAPPING VIS, TETE BOMBEE	2	2	2	
7	6R3-12580-00	JOINT ASSY ARTICULER (ENS.)	1	1	1	
8	90445-11153	HOSE (L460) DURITE (L460)	1	1	1	
9	90465-11M10	CLAMP BRIDE	2	2	2	
10	6C5-24378-00	PIPE, JOINT 3 DURITE RACCORDEMENT 3	1	1	1	
11	90445-09057	HOSE (L43) DURITE (L43)	1	1	1	
12	90467-08M18	CLIP JONC	1	1	1	
13	6BL-24396-00	PLATE PLAQUE	1	1	1	
14	90109-06M86	BOLT BOULON	1	1	1	
15	6BL-24364-00	STAY SUPPORT	1	1	1	
16	90109-06M86	BOLT BOULON	1	1	1	

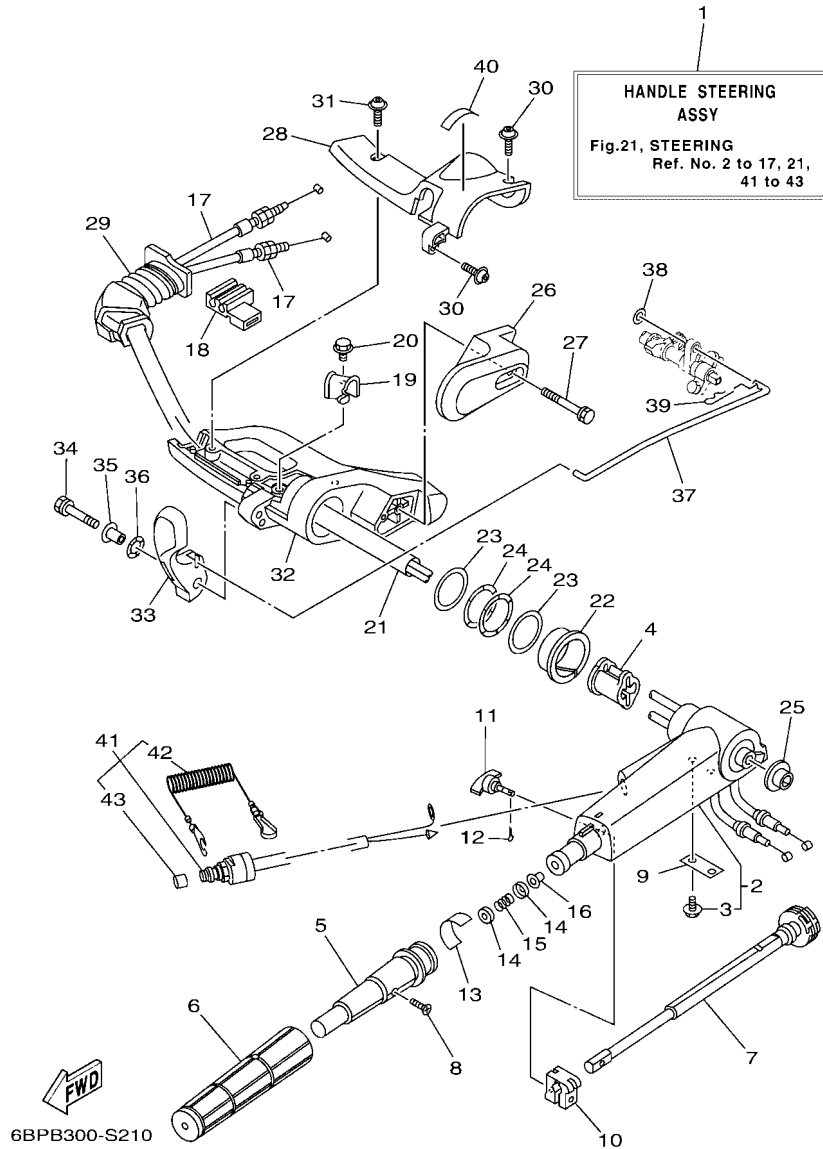


FIG. 21 STEERING

DIRECTION

REF. NO.	PART NO. N° PIECES	DESCRIPTION DESCRIPTION	E	L	M	HT	REMARKS REMARQUES
1	6BP-W0084-00-8D	HANDLE STEERING ASSY BARRE FRANCHE (ENS.)				1	
2	6AH-42101-02-8D	HANDLE, STEERING POIGNEE				1	
3	90109-06M86	.BOLT .BOULON				2	
4	6AH-26288-00	GROMMET, CABLE OEILLET DE CABLE				1	
5	66M-42119-01	GRIP, STEERING HANDLE POIGNEE, BARRE FRANCHE				1	
6	67D-42177-00	RUBBER, HANDLE CAOUTCHOUC, POIGNEE				1	
7	65W-42138-00	LEVER, THROTTLE LEVIER, ACCELERATEUR				1	
8	90152-05011	SCREW, COUNTERSUNK VIS, TETE NOYEE				1	
9	65W-42159-00	STAY SUPPORT				1	
10	6G1-42126-00	FRICTION, STEERING HANDLE GRIP CUVETTE, POIGNEE DE DIRECTION				1	
11	65W-42125-00	BOLT, FRICTION ADJUSTING BOULON				1	
12	91490-16010	PIN. COTTER GOUILLE				1	
13	6J0-42137-10	INDICATOR, THROTTLE INDICATEUR, ACCELERATION				1	
14	6X4-44188-00	WASHER RONDELLE				2	
15	90501-23215	SPRING, COMPRESSION RESSORT, COMPRESSION				1	
16	90386-08004	BUSH DOUILLE				1	
17	6BP-26311-00	CABLE, THROTTLE 1 CABLE 1, ACCELERATEUR				2	
18	6BP-26316-00	BOOT, THROTTLE CABLE SOUFFLET, CABLE D'ACCELERATEUR				1	
19	6AH-44554-00	PLATE PLAQUETTE				1	
20	97595-06514	BOLT, WITH WASHER VIS HEXAGONAL AVC RONDELLE				1	
21	6AH-2634E-00	PROTECTOR 1 PROTECTEUR 1				1	
22	90386-45001	BUSH DOUILLE				1	
23	90201-39008	WASHER, PLATE RONDELLE, PLATE				2	
24	90206-39001	WASHER, WAVE RONDELLE, ONDULEE				2	
25	90381-20001	BUSH, SOLID DOUILLE, SOLIDE				1	
26	6AH-42131-00-8D	COVER, HANDLE STEERING COUVERCLE				1	
27	97595-06555	BOLT, WITH WASHER VIS HEXAGONAL AVC RONDELLE				2	

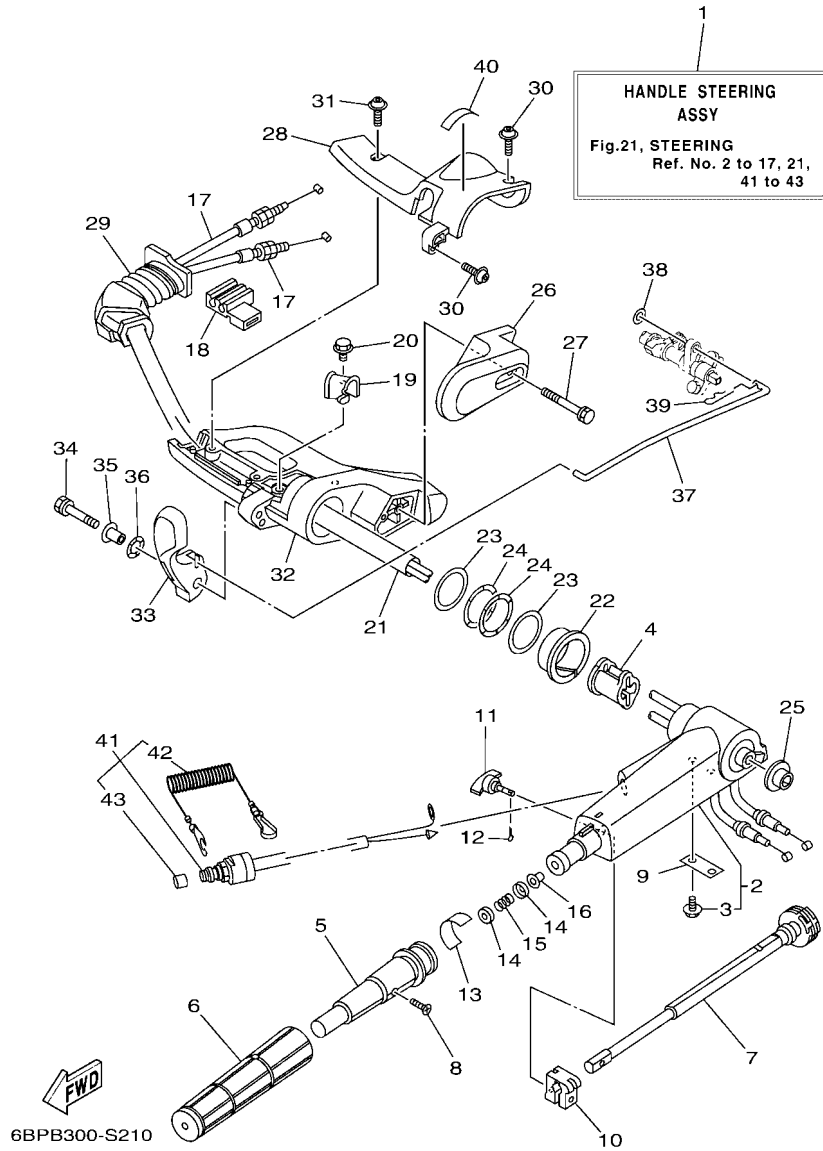


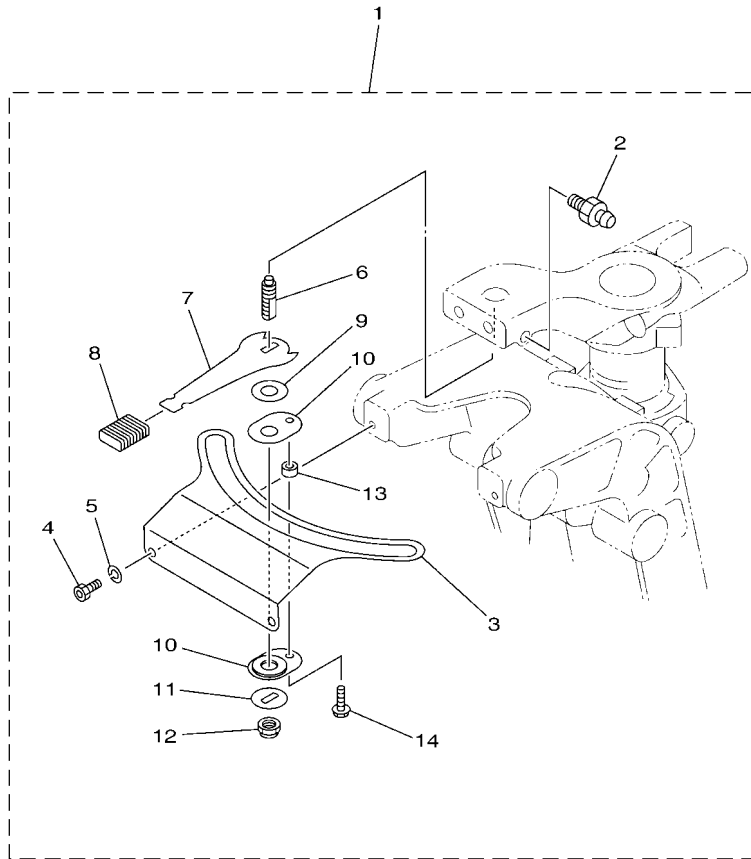
FIG. 21 STEERING

DIRECTION

REF. NO.	PART NO. N° PIECES	DESCRIPTION DESCRIPTION	DIRECTION			REMARKS REMARQUES
			E	L	MH	
28	6BL-42532-00	COVER COUVERCLE			1	
29	6BL-42131-00	COVER, HANDLE STEERING COUVERCLE			1	
30	90111-06072	BOLT, HEX. SOCKET BUTTON BOULON			3	
31	90111-06072	BOLT, HEX. SOCKET BUTTON BOULON			1	
32	6BL-42121-00-8D	BRACKET SUPPORT			1	
33	6AH-44111-00	HANDLE, GEAR SHIFT POIGNEE, LEVIER D'EMBAYAGE			1	
34	90119-06M05	BOLT, WITH WASHER BOULON, AVEC RONDELLE			1	
35	90387-06M86	COLLAR COLLERETTE			1	
36	90206-15M18	WASHER, WAVE RONDELLE, ONDULEE			1	
37	6BL-44124-00	LINK, SHIFT ROD BIELLETTTE			1	
38	92990-06200	WASHER, PLAIN RONDELLE, PLATE			1	
39	90468-18008	CLIP JONC			1	
40	6G8-44191-00	INDICATOR, SHIFT ETIQUETTE, EMBRAYAGE			1	
41	6BL-82575-00	ENGINE STOP SWITCH ASSY COUPE CIRCUIT CPLT			1	
42	682-82556-00	.LANYARD, STOP SWITCH .CORDON DU COUPE CIRCUIT			1	
43	689-8257Y-00	.CAP .COUVERCLE			1	

FIG. 22 STEERING FRICTION

CUVETTE POIGNEE DE DIRECTION



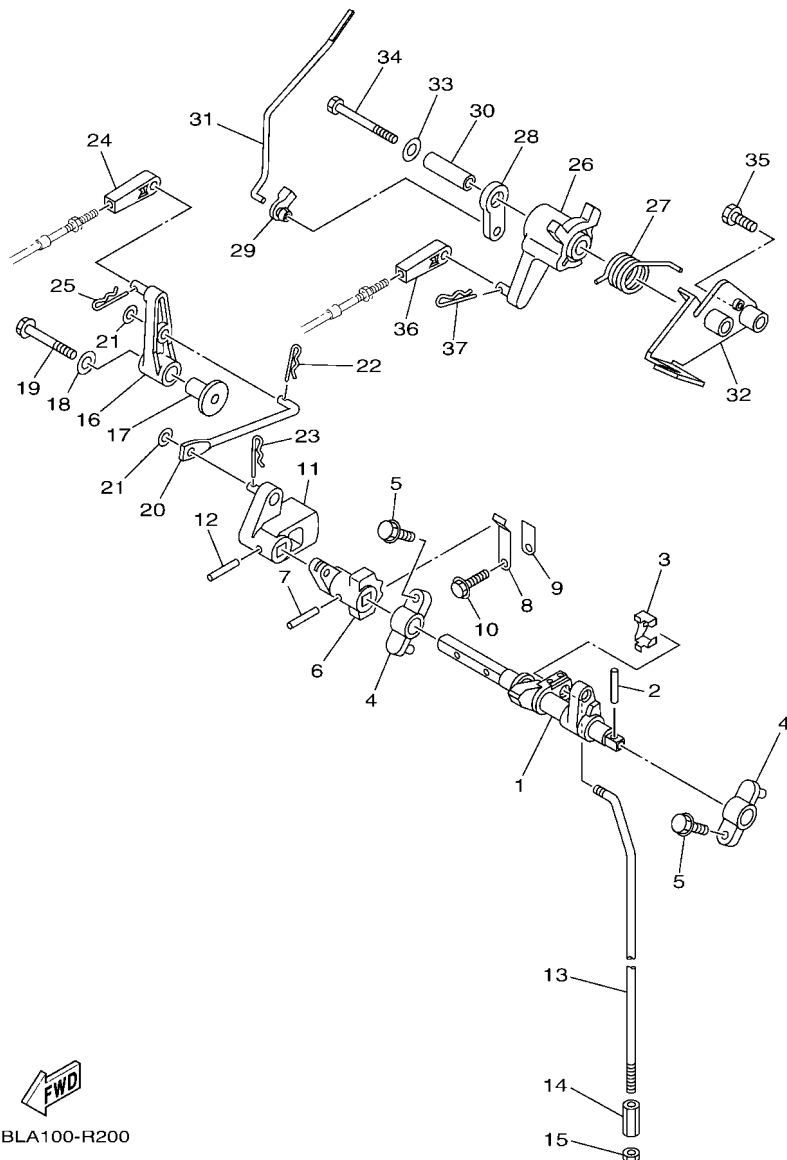
REF. NO.	PART NO. N° PIECES	DESCRIPTION DESCRIPTION	E	L	M	H	REMARKS REMARQUES
1	65W-42508-00	STEERING FRICTION ASSY DIRECTION FRICTION (ENS.)				1	
2	93700-06M03	.NIPPLE, GREASE .PION				1	
3	65W-42527-00	.PLATE, FRICTION .PLAQUE, FRICTION				1	
4	90109-06M88	.BOLT .BOULON				2	
5	92990-06100	.WASHER, SPRING .RONDELLE, GROWER				2	
6	65W-42562-00	.SHAFT, STEERING LOCK .ARBRE, ANTIVOL DE DIRECTION				1	
7	65W-42561-00	.KNOB, STEERING LOCK .BOUTON				1	
8	689-43633-00	.COVER, TILT LEVER .COUVERCLE				1	
9	90202-10M56	.WASHER, PLATE .RONDELLE, PLATE				1	
10	65W-42528-00	.PLATE, FRICTION .PLAQUE, FRICTION				2	
11	90209-10M26	.WASHER .RONDELLE				1	
12	90185-10M14	.NUT, SELF-LOCKING .ECROU, AUTO-BLOQUANT				1	
13	90387-05054	.COLLAR .COLLERETTE				1	
14	90109-05M89	.BOLT .BOULON				1	



65W1010-2181

FIG. 23 CONTROL 1

COMMANDE 1

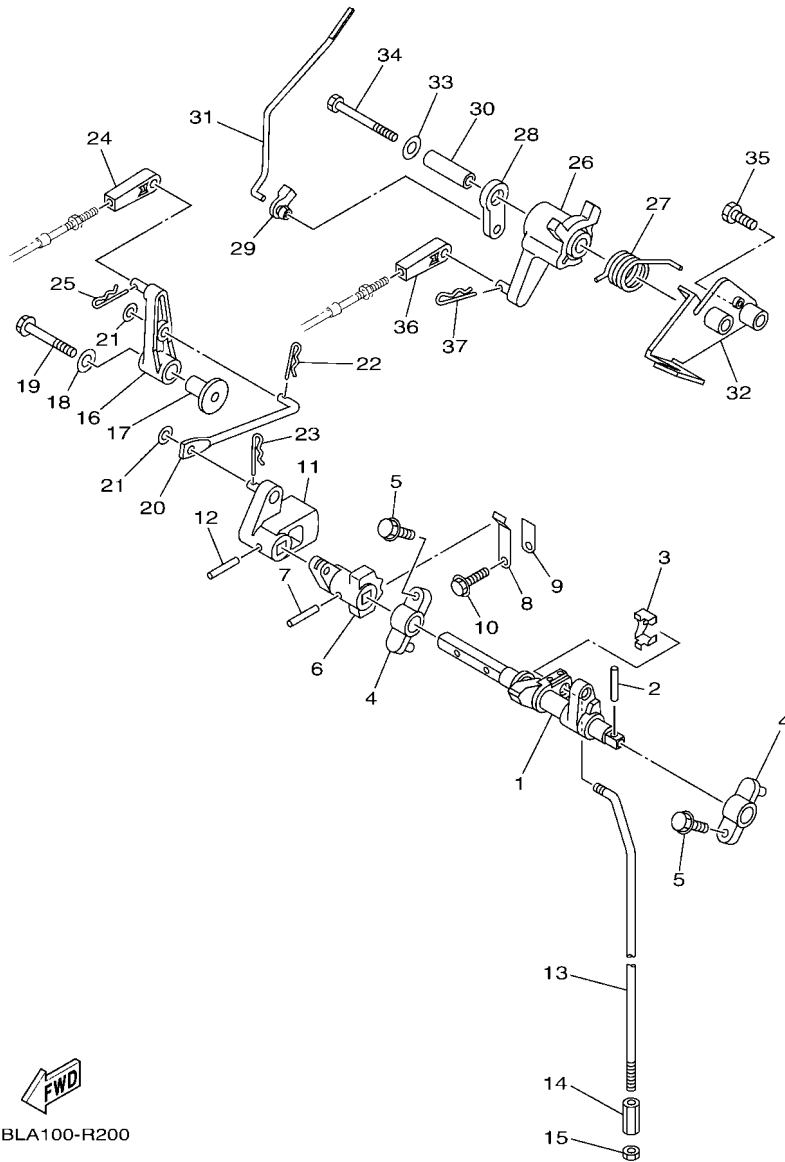


6BLA100-R200

REF. NO.	PART NO. N° PIECES	DESCRIPTION DESCRIPTION	U	L	MH	REMARKS REMARQUES
1	6BL-44121-01	LEVER, SHIFT ROD LEVIER, TIGE D'INVERSION	1	1		
2	90254-03M05	PIN, SPRING RIVET, TETE TRONCONIQUE	1	1		
3	6AH-26364-00	END, CABLE 2 EMBOUT, DE CABLE	1	1		
4	6G1-41662-01-94	BRACKET 2 SUPPORT 2	2	2		
5	97595-06520	BOLT, WITH WASHER VIS HEXAGONAL AVC RONDELLE	2	2		
6	6BL-44173-00	LEVER, SHIFT CONTROL POIGNEE, INVERSION	1	1		
7	90254-03M05	PIN, SPRING RIVET, TETE TRONCONIQUE	1	1		
8	65W-44116-00	SPRING RESSORT	1	1		
9	66R-44114-00	STOPPER PLAQUETTE	1	1		
10	95895-06014	BOLT, FLANGE BOULON	1	1		
11	6BL-44142-00	JOINT AXE	1	1		
12	90254-03M05	PIN, SPRING RIVET, TETE TRONCONIQUE	1	1		
13	6BP-44143-00 6BP-44143-10	ROD, SHIFT 1 TIGE D'EMBRAYAGE 1 ROD, SHIFT 1 TIGE D'EMBRAYAGE 1	1	1		S(16.7") S(16.7") L(21.7") L(21.7")
14	90170-06015	NUT ECROU	1	1		
15	95380-06700	NUT ECROU	1	1		
16	6BL-44125-00	LEVER, SHIFT ROD LEVIER, TIGE D'INVERSION	1	1		
17	90387-06M86	COLLAR COLLERETTE	1	1		
18	90201-06M31	WASHER, PLATE RONDELLE, PLATE	1	1		
19	97595-06535	BOLT, WITH WASHER VIS HEXAGONAL AVC RONDELLE	1	1		
20	6BL-44192-00	LINK, SHIFT ROD BIELLETTTE	1	1		
21	90201-05M06	WASHER, PLATE RONDELLE, PLATE	2	2		
22	90468-10005	CLIP JONC	1	1		
23	90468-18001	CLIP JONC	1	1		
24	6FM-48344-00	CABLE END, REMOTE CONTROL CHAPE CABLE	1	1		
25	90468-18008	CLIP JONC	1	1		
26	6BL-41638-00	PULLEY POULIE	1	1		

FIG. 23 CONTROL 1

COMMANDE 1

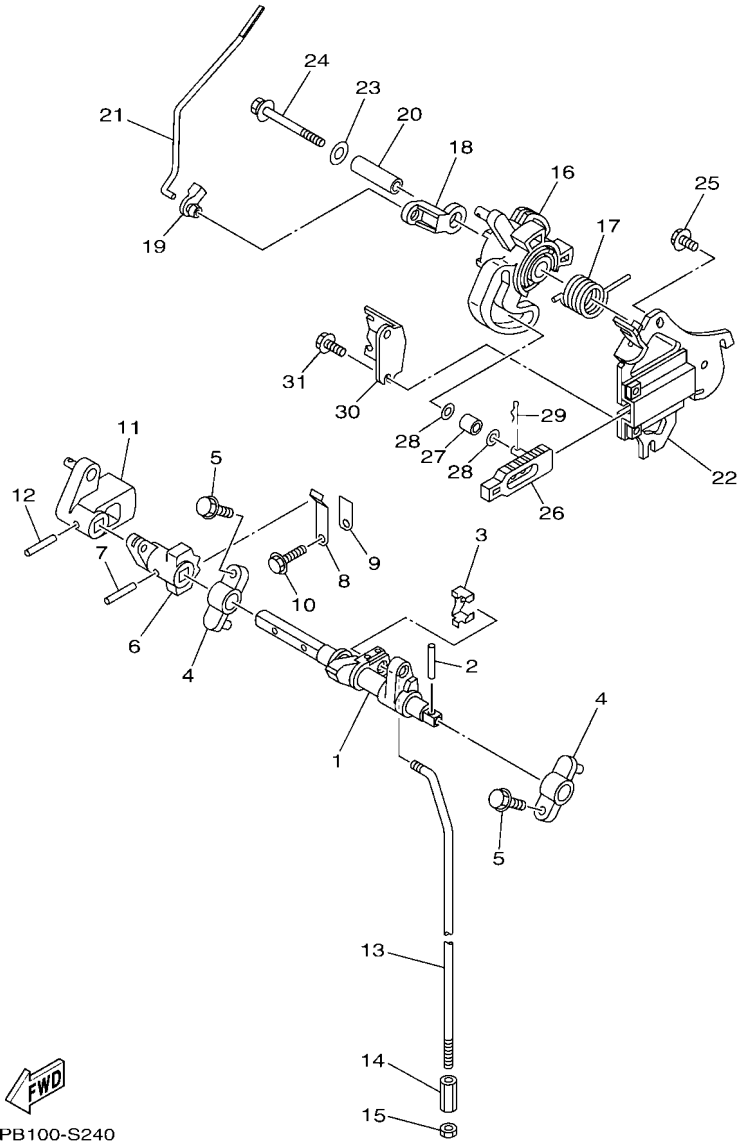


6BLA100-R200

REF. NO.	PART NO. N° PIECES	DESCRIPTION DESCRIPTION	E	L	MH	REMARKS REMARQUES
27	90508-20040	SPRING, TORSION RESSORT, TORSION	1	1		
28	65W-41283-00	LEVER, FREE ACCEL. LEVIER	1	1		
29	6J8-41262-00	JOINT, CHOKE LEVER RACCORD, LEVIER DE STARTER	1	1		
30	90387-06139	COLLAR COLLERETTE	1	1		
31	6BL-41211-00	LINK, ACCEL. BIELLETTTE, ACCELERATION	1	1		
32	6BL-14571-10	BRACKET, THROTTLE SUPPORT, ACCELERATEUR	1	1		
33	90201-06M31	WASHER, PLATE RONDELLE, PLATE	1	1		
34	97095-06065	BOLT BOULON	1	1		
35	97095-06025	BOLT BOULON	1	1		
36	6FM-48344-00	CABLE END, REMOTE CONTROL CHAPE CABLE	1	1		
37	90468-18008	CLIP JONC	1	1		

FIG. 24 CONTROL 2

COMMANDE 2

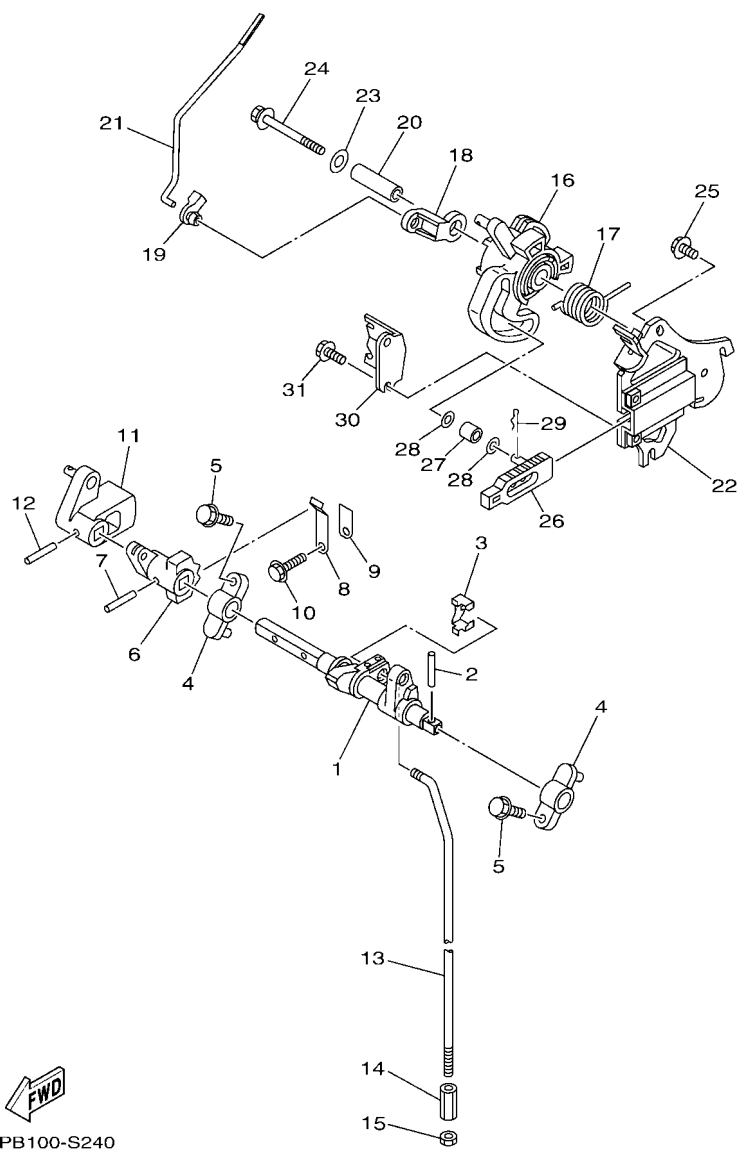



6BPB100-S240

REF. NO.	PART NO. N° PIECES	DESCRIPTION DESCRIPTION	ET	E	MH	REMARKS REMARQUES
1	6BL-44121-01	LEVER, SHIFT ROD LEVIER, TIGE D'INVERSION			1	
2	90254-03M05	PIN, SPRING RIVET, TETE TRONCONIQUE			1	
3	6AH-26364-00	END, CABLE 2 EMBOUT, DE CABLE			1	
4	6G1-41662-01-94	BRACKET 2 SUPPORT 2			2	
5	97595-06520	BOLT, WITH WASHER VIS HEXAGONAL AVC RONDELLE			2	
6	6BL-44173-00	LEVER, SHIFT CONTROL POIGNEE, INVERSION			1	
7	90254-03M05	PIN, SPRING RIVET, TETE TRONCONIQUE			1	
8	65W-44116-00	SPRING RESSORT			1	
9	66R-44114-00	STOPPER PLAQUETTE			1	
10	95895-06014	BOLT, FLANGE BOULON			1	
11	6BL-44142-00	JOINT AXE			1	
12	90254-03M05	PIN, SPRING RIVET, TETE TRONCONIQUE			1	
13	6BP-44143-00	ROD, SHIFT 1 TIGE D'EMBRAYAGE 1			1	S(16.7") S(16.7")
	6BP-44143-10	ROD, SHIFT 1 TIGE D'EMBRAYAGE 1			1	L(21.7") L(21.7")
14	90170-06015	NUT ECROU			1	
15	95380-06700	NUT ECROU			1	
16	6AH-41638-00	PULLEY POULIE			1	
17	90508-20M44	SPRING, TORSION RESSORT, TORSION			1	
18	6BL-41283-00	LEVER, FREE ACCEL. LEVIER			1	
19	6J8-41262-00	JOINT, CHOKE LEVER RACCORD, LEVIER DE STARTER			1	
20	90387-06139	COLLAR COLLERETTE			1	
21	6BP-41211-00	LINK, ACCEL. BIELLETTE, ACCELERATION			1	
22	6BL-14571-00	BRACKET, THROTTLE SUPPORT, ACCELERATEUR			1	
23	90201-06M31	WASHER, PLATE RONDELLE, PLATE			1	
24	97595-06555	BOLT, WITH WASHER VIS HEXAGONAL AVC RONDELLE			1	
25	97595-06514	BOLT, WITH WASHER VIS HEXAGONAL AVC RONDELLE			2	
26	6AH-44167-10	PLUNGER, SHIFT CAM POUSOIR D'EMBRAYAGE			1	

FIG. 24 CONTROL 2

COMMANDE 2

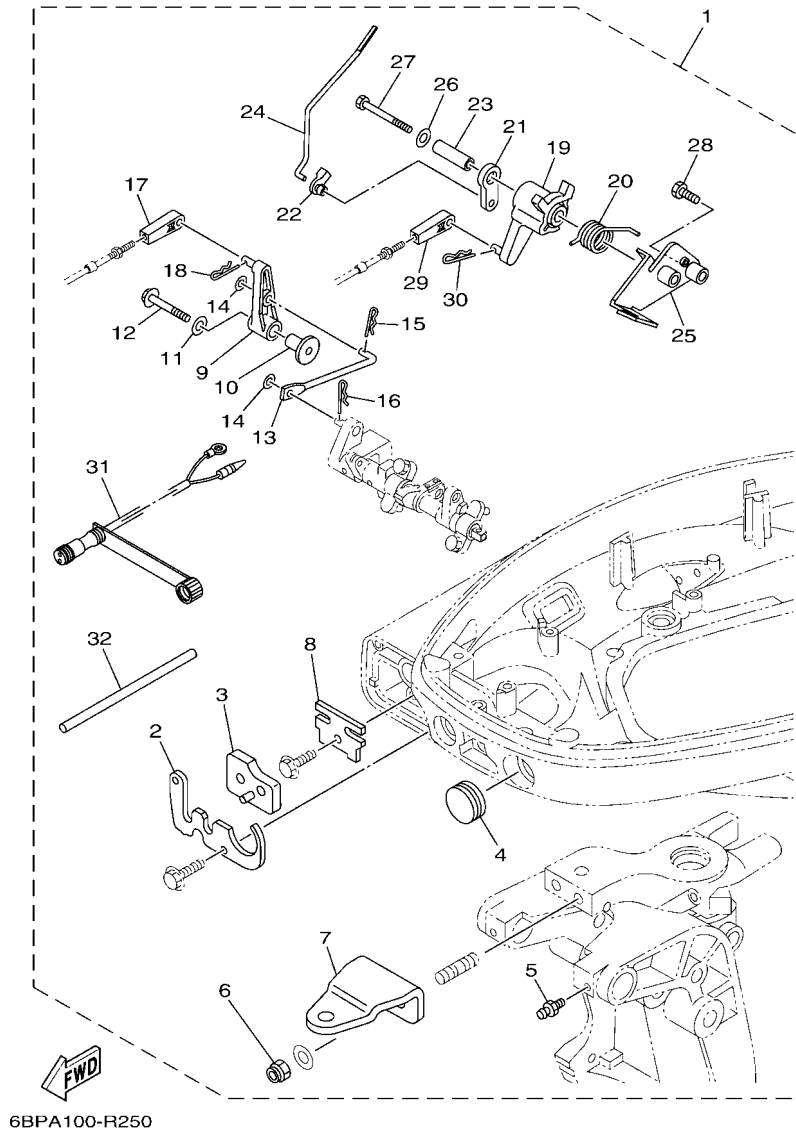


6BPB100-S240

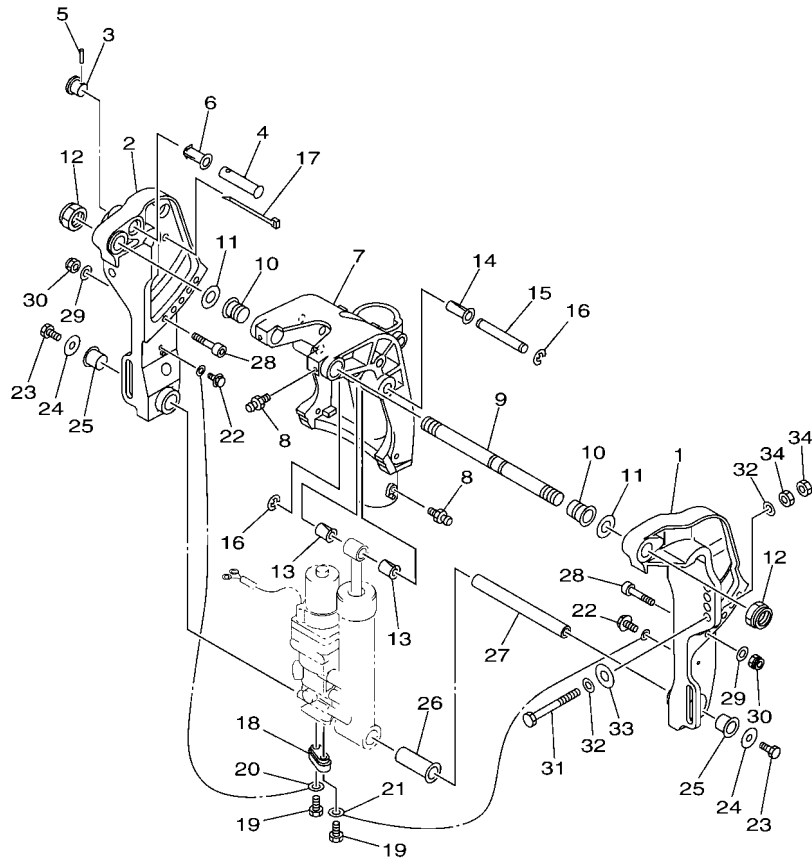
REF. NO.	PART NO. N° PIECES	DESCRIPTION DESCRIPTION	E	L	M	H	REMARKS REMARQUES
27	62Y-42171-00	BUSHING COUSSINET				1	
28	90201-05M04	WASHER, PLATE RONDELLE, PLATE				2	
29	90468-10005	CLIP JONC				1	
30	6AH-14497-00	STAY, THROTTLE WIRE SUPPORT DE BOISSEAU				1	
31	97595-06514	BOLT, WITH WASHER VIS HEXAGONAL AVC RONDELLE				2	

FIG. 25 REMO CON ATTACHMENT

COMMANDE A DISTANCE



REF. NO.	PART NO. N° PIECES	DESCRIPTION DESCRIPTION	EL	E	MH	REMARKS REMARQUES
1	6BL-48501-00	REMOTE CONT. ATTACHMENT ASSY. COMMANDE A DISTANCE (KIT)			1	AP AP
2	6BL-42761-00	.STOPPER .PLAQUETTE			1	
3	6BL-42727-00	.GROMMET .PASSE-FIL			1	
4	65W-42726-10	.GROMMET .PASSE-FIL			1	
5	93700-06M03	.NIPPLE, GREASE .PION			2	
6	90185-10027	.NUT, SELF-LOCKING .ECROU, AUTO-BLOQUANT			2	
7	65W-48511-01	.HOOK, STEERING .ATTACHE, DIRECTION			1	
8	6BL-48538-00	.CLAMP, CABLE 1 .COLLIER			1	
9	6BL-44125-00	.LEVER, SHIFT ROD .LEVIER, TIGE D'INVERSION			1	
10	90387-06M86	.COLLAR .COLLERETTE			1	
11	90201-06M31	.WASHER, PLATE .RONDELLE, PLATE			1	
12	97595-06535	.BOLT, WITH WASHER .VIS HEXAGONAL AVC RONDELLE			1	
13	6BL-44192-00	.LINK, SHIFT ROD .BIELLETTTE			1	
14	90201-05M06	.WASHER, PLATE .RONDELLE, PLATE			2	
15	90468-10005	.CLIP .JONC			1	
16	90468-18001	.CLIP .JONC			1	
17	6FM-48344-00	.CABLE END, REMOTE CONTROL .CHAPE CABLE			1	
18	90468-18008	.CLIP .JONC			1	
19	6BL-41638-00	.PULLEY .POULIE			1	
20	90508-20040	.SPRING, TORSION .RESSORT, TORSION			1	
21	65W-41283-00	.LEVER, FREE ACCEL. .LEVIER			1	
22	6J8-41262-00	.JOINT, CHOKE LEVER .RACCORD, LEVIER DE STARTER			1	
23	90387-06139	.COLLAR .COLLERETTE			1	
24	6BL-41211-00	.LINK, ACCEL. .BIELLETTTE, ACCELERATION			1	
25	6BL-14571-10	.BRACKET, THROTTLE .SUPPORT, ACCELERATEUR			1	
26	90201-06M31	.WASHER, PLATE .RONDELLE, PLATE			1	
27	97095-06065	.BOLT .BOULON			1	

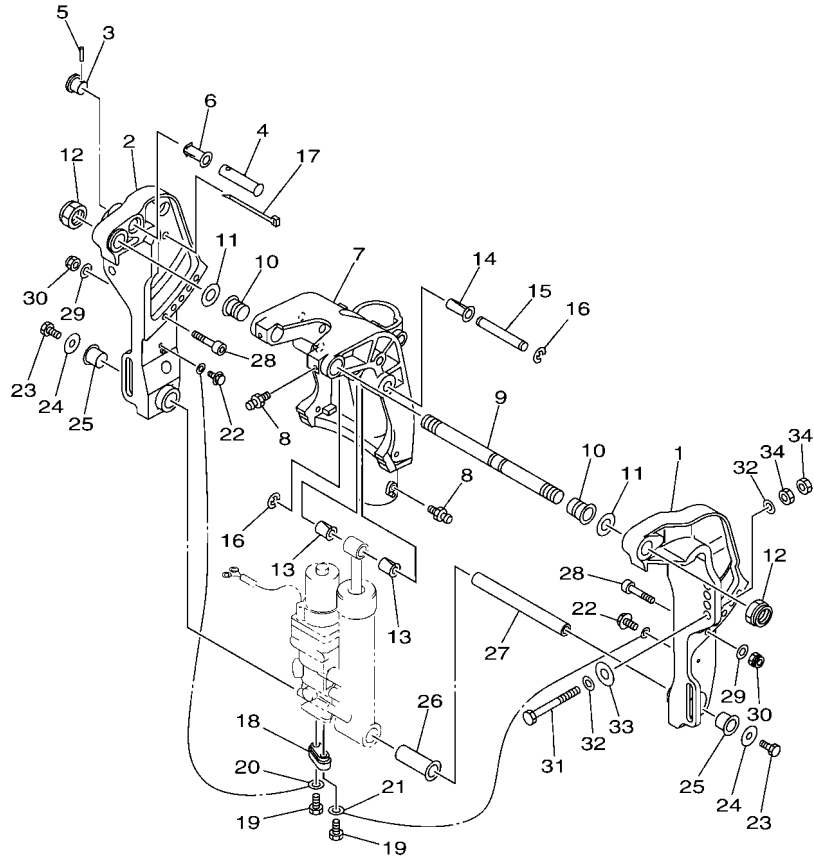



6BPB100-S260

FIG. 26 BRACKET 1

SUPPORT 1

REF. NO.	PART NO. N° PIECES	DESCRIPTION DESCRIPTION	U	E	MH	REMARKS REMARQUES
1	65W-43111-10-8D	BRACKET, CLAMP 1 PRESSE 1	1			
2	65W-43112-10-8D	BRACKET, CLAMP 2 PRESSE 2	1			
3	65W-43192-00	KNOB, STOPPER BOUTON, BUTEE DE RELEVAGE	1			
4	65W-43191-00	SHAFT, STOPPER AXE, BUTEE	1			
5	91690-30018	PIN, SPRING AGRAFFE	1			
6	90386-14MA1	BUSH DOUILLE	1			
7	65W-43311-11-8D	BRACKET, SWIVEL 1 SUPPORT, PIVOT 1	1			L(21.7") L(21.7")
8	93700-06M03	NIPPLE, GREASE PION	3			
9	63D-43131-01	BOLT, CLAMP BRACKET BOULON, PRESSE	1			
10	90386-22M15	BUSH DOUILLE	2			
11	90201-22M03	WASHER, PLATE RONDELLE, PLATE	2			
12	90185-22043	NUT, SELF-LOCKING ECROU, AUTO-BLOQUANT	2			
13	90381-12M11	BUSH, SOLID DOUILLE, SOLIDE	2			
14	90386-12M98	BUSH DOUILLE	1			
15	90249-12M38	PIN GOUILLE	1			
16	99080-10600	CIRCLIP CIRCLIP	2			
17	90465-13M11	CLAMP BRIDE	2			
18	65W-45251-00	ANODE ANODE	1			
19	90101-06020	BOLT BOULON	2			
20	6H1-82148-00	WIRE, LEAD 4 FIL 4	1			
21	6U0-82127-00	WIRE, LEAD 2 FIL 2	1			
22	97595-06514	BOLT, WITH WASHER VIS HEXAGONAL AVC RONDELLE	2			
23	97080-08016	BOLT BOULON	2			
24	90201-08M00	WASHER, PLATE RONDELLE, PLATE	2			
25	90386-18M44	BUSH DOUILLE	2			
26	90386-18MA0	BUSH DOUILLE	1			
27	90249-18M35	PIN GOUILLE	1			



6BPB100-S260

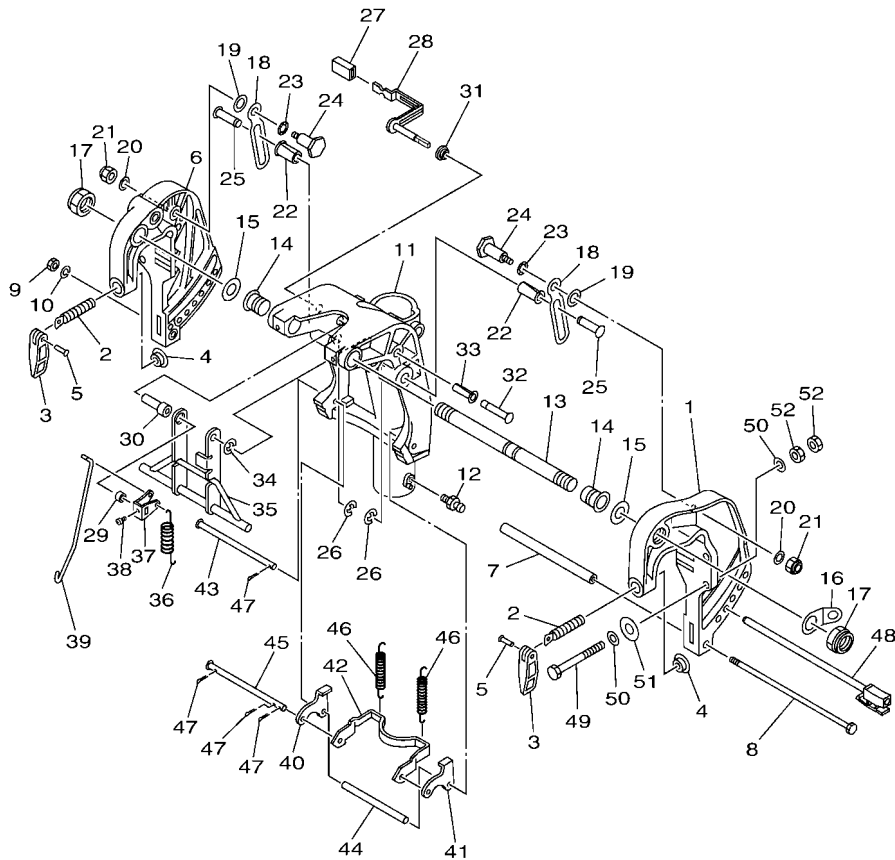
FIG. 26 BRACKET 1

SUPPORT 1

REF. NO.	PART NO. N° PIECES	DESCRIPTION DESCRIPTION	E	L	MH	REMARKS REMARQUES	
			2	2	2		4
28	90110-10M02	BOLT, HEXAGON SOCKET HEAD BOULON, TETE HEXAGONALE CREUSE	2				
29	92995-10600	WASHER RONDELLE	2				
30	90185-10M13	NUT, SELF-LOCKING ECROU,AUTO-BLOQUANT	2				
31	90101-12M65	BOLT BOULON	4				
32	90201-12062	WASHER, PLATE RONDELLE, PLATE	8				
33	90201-12426	WASHER, PLATE RONDELLE, PLATE	4				
34	95380-12600	NUT ECROU	8				

FIG. 27 BRACKET 2

SUPPORT 2

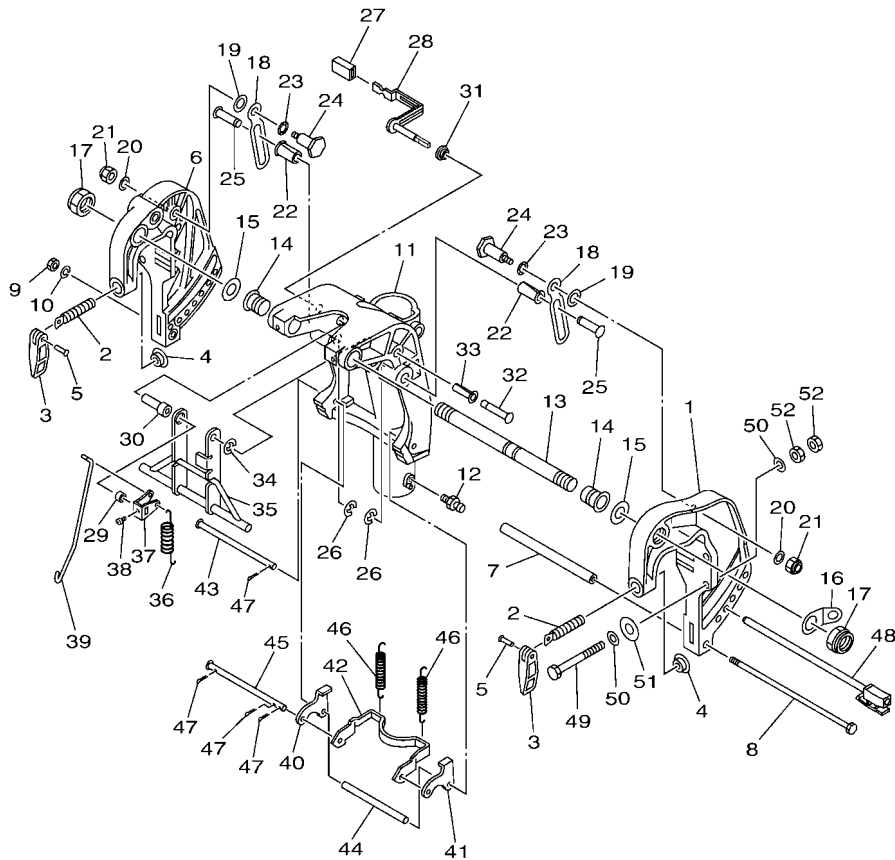


FWD
6BP9300-Q270

REF. NO.	PART NO. N° PIECES	DESCRIPTION DESCRIPTION	ET	W	MT	REMARKS REMARQUES
1	66T-43111-01-8D	BRACKET, CLAMP 1 PRESSE 1		1	1	
2	90149-14M12	SCREW VIS		2	2	
3	663-43118-01-8D	HANDLE, TRANSOM CLAMP POIGNEE DE VIS DE PRESSE		2	2	
4	648-43114-01	PAD, TRANSOM CLAMP RONDELLE D'APPUI		2	2	
5	90243-04007	PIN GOUPILLE		2	2	
6	66T-43112-01-8D	BRACKET, CLAMP 2 PRESSE 2		1	1	
7	90387-10108	COLLAR COLLERETTE		1	1	
8	90101-08M76	BOLT BOULON		1	1	
9	95380-08600	NUT ECROU		1	1	
10	92990-08100	WASHER, SPRING RONDELLE, GROWER		1	1	
11	65W-43311-01-8D	BRACKET, SWIVEL 1 SUPPORT, PIVOT 1		1	1	S(16.7")
	65W-43311-11-8D	BRACKET, SWIVEL 1 SUPPORT, PIVOT 1		1	1	S(16.7") L(21.7") L(21.7")
12	93700-06M03	NIPPLE, GREASE PION		3		
	93700-06M03	NIPPLE, GREASE PION			1	
13	63D-43131-01	BOLT, CLAMP BRACKET BOULON, PRESSE		1	1	
14	90386-22M15	BUSH DOUILLE		2	2	
15	90201-22M03	WASHER, PLATE RONDELLE, PLATE		2	2	
16	6J8-43113-01	PLATE, CLAMP BRACKET PLAQUETTE, PRESSE		1	1	
17	90185-22043	NUT, SELF-LOCKING ECROU,AUTO-BLOQUANT		2	2	
18	66T-43627-00	STOPPER PLAQUETTE		2	2	
19	90202-12031	WASHER, PLATE RONDELLE, PLATE		2	2	
20	90201-08M07	WASHER, PLATE RONDELLE, PLATE		2	2	
21	90185-08057	NUT, SELF-LOCKING ECROU,AUTO-BLOQUANT		2	2	
22	90386-12M98	BUSH DOUILLE		2	2	
23	90206-12M00	WASHER, WAVE RONDELLE, ONDULEE		2	2	
24	90109-08M90	BOLT BOULON		2	2	
25	90249-12M34	PIN GOUPILLE		2	2	

FIG. 27 BRACKET 2

SUPPORT 2



FWD
6BP9300-Q270

REF. NO.	PART NO. N° PIECES	DESCRIPTION DESCRIPTION	ET	W	MT	REMARKS REMARQUES
26	99080-10600	CIRCLIP CIRCLIP		2	2	
27	682-43318-01	COVER CAPUCHON		1	1	
28	65W-43630-11	TILT LEVER ASSY LEVIER D'INCLINAISON		1	1	
29	90387-07048	COLLAR COLLERETTE		1	1	
30	90387-07049	COLLAR COLLERETTE		1	1	
31	90386-07MA2	BUSH DOUILLE		1	1	
32	90249-10M31	PIN GOUPILLE		1	1	
33	90386-10M99	BUSH DOUILLE		1	1	
34	99080-08600	CIRCLIP CIRCLIP		1	1	
35	66T-43350-11	RECEIVER ASSY RECEIVER ASSY		1	1	
36	90506-20M37	SPRING, TENSION RESSORT, TENSION		1	1	
37	66T-43631-11	LEVER, TILT LEVIER, INCLINAISON		1	1	
38	90157-05014	SCREW, PAN HEAD VIS, TETE TRONCONIQUE		1	1	
39	65W-43616-00	ROD, TILT LOCK TIGE		1	1	
40	65W-43614-01	PLATE, TILT LOCK ETRIER, VERROUILLAGE MARCHE AR		1	1	
41	65W-43615-01	PLATE, TILT LOCK ETRIER, VERROUILLAGE MARCHE AR		1	1	
42	65W-43613-00	ARM, TILT LOCK GUIDE		1	1	
43	90249-07M32	PIN GOUPILLE		1	1	
44	90387-07M29	COLLAR COLLERETTE		1	1	
45	90249-07M33	PIN GOUPILLE		1	1	
46	90506-30M00	SPRING, TENSION RESSORT, TENSION		2	2	
47	91490-20012	PIN, COTTER GOUPILLE		4	4	
48	65W-43160-00	TILT ROD ASSY BROCHE D'INCLINAISON (ENS.)		1	1	
49	90101-10M58	BOLT BOULON		4		
50	92995-10600	WASHER RONDELLE		8		
51	90201-12426	WASHER, PLATE RONDELLE, PLATE		4		
52	95380-10600	NUT ECROU		8		

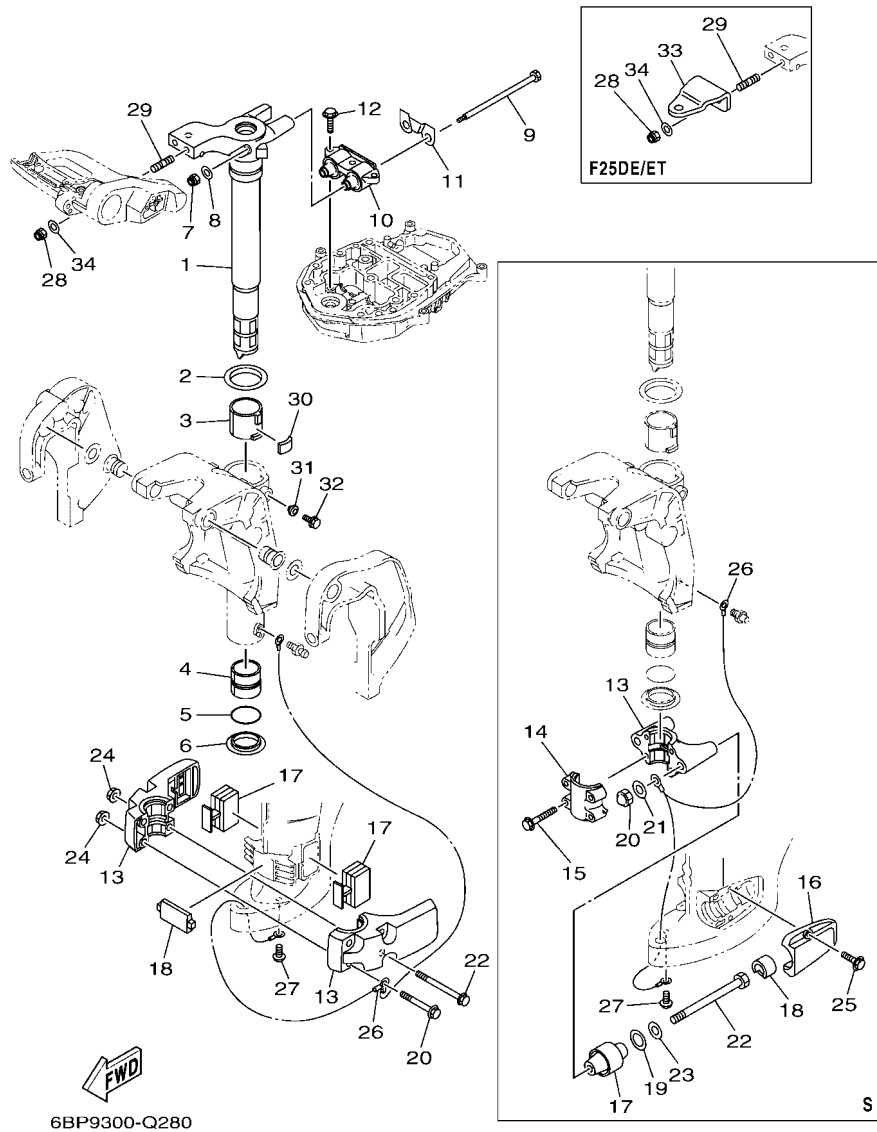


FIG. 28 BRACKET 3

SUPPORT 3

REF. NO.	PART NO. N° PIECES	DESCRIPTION DESCRIPTION	L	W	HT			REMARKS REMARQUES
1	65W-42511-01-8D	BRACKET, STEERING CADRE, DIRECTION		1	1			S(16.7") S(16.7")
	65W-42511-11-8D	BRACKET, STEERING CADRE, DIRECTION	1	1	1			L(21.7") L(21.7")
2	90209-52M00	WASHER RONDELLE	1	1	1			
3	90386-52M02	BUSH DOUILLE	1	1	1			
4	90386-44M03	BUSH DOUILLE	1	1	1			
5	93210-43MJ0	O-RING JOINT TORIQUE	1	1	1			
6	90386-44M99	BUSH DOUILLE	1	1	1			
7	90185-08018	NUT, SELF-LOCKING ECROU, AUTO-BLOQUANT	2	2	2			
8	92995-08200	WASHER RONDELLE	2	2	2			
9	90101-08M86	BOLT BOULON	2	2	2			
10	67C-44514-20	MOUNT DAMPER, UPPER SIDE SILENT-BLOC, SUPERIEUR LATERAL	1	1	1			
11	66T-44526-30	PLATE PLAQUE	1	1	1			
12	97575-08530	BOLT, WITH WASHER VIS HEXAGONAL AVC RONDELLE	3	3	3			
13	6BP-44551-00-8D	HOUSING, LOWER MOUNT RUBBER 1 BOITIER, SILENT-BLOC INFERIEUR	1	1	1			S(16.7") S(16.7")
	65W-44551-11-8D	HOUSING, LOWER MOUNT RUBBER 1 BOITIER, SILENT-BLOC INFERIEUR	2	2	2			L(21.7") L(21.7")
14	6BP-44552-00-8D	HOUSING, LOWER MOUNT RUBBER 2 BOITIER, SILENT-BLOC INFERIEUR	1	1	1			S(16.7") S(16.7")
15	97595-08545	BOLT, WITH WASHER VIS HEXAGONAL AVC RONDELLE	4	4	4			S(16.7") S(16.7")
16	63D-44552-01-8D	HOUSING, LOWER MOUNT RUBBER 2 BOITIER, SILENT-BLOC INFERIEUR	2	2	2			S(16.7") S(16.7")
17	6BP-44555-00	MOUNT DAMPER, LOWER SIDE SILENT-BLOC, INFERIEUR LATERAL	2	2	2			S(16.7") S(16.7")
	65W-44555-00	MOUNT DAMPER, LOWER SIDE SILENT-BLOC, INFERIEUR LATERAL	2	2	2			L(21.7") L(21.7")
18	64J-44575-00	DAMPER, LOWER MOUNT RUBBER SILENT-BLOC, INFERIEUR	2	2	2			S(16.7") S(16.7")
	65W-44575-01	DAMPER, LOWER MOUNT RUBBER SILENT-BLOC, INFERIEUR	1	1	1			L(21.7") L(21.7")
19	90202-25M04	WASHER, PLATE RONDELLE, PLATE	2	2	2			S(16.7") S(16.7")
20	95380-12800	NUT, CROWN ECROU, BORGNE	2	2	2			S(16.7") S(16.7")
	97575-10580	BOLT, WITH WASHER VIS HEXAGONAL AVC RONDELLE	2	2	2			L(21.7") L(21.7")
21	90201-12M16	WASHER, PLATE RONDELLE, PLATE	2	2	2			S(16.7") S(16.7")
22	90109-12MA3	BOLT BOULON	2	2	2			S(16.7") S(16.7")

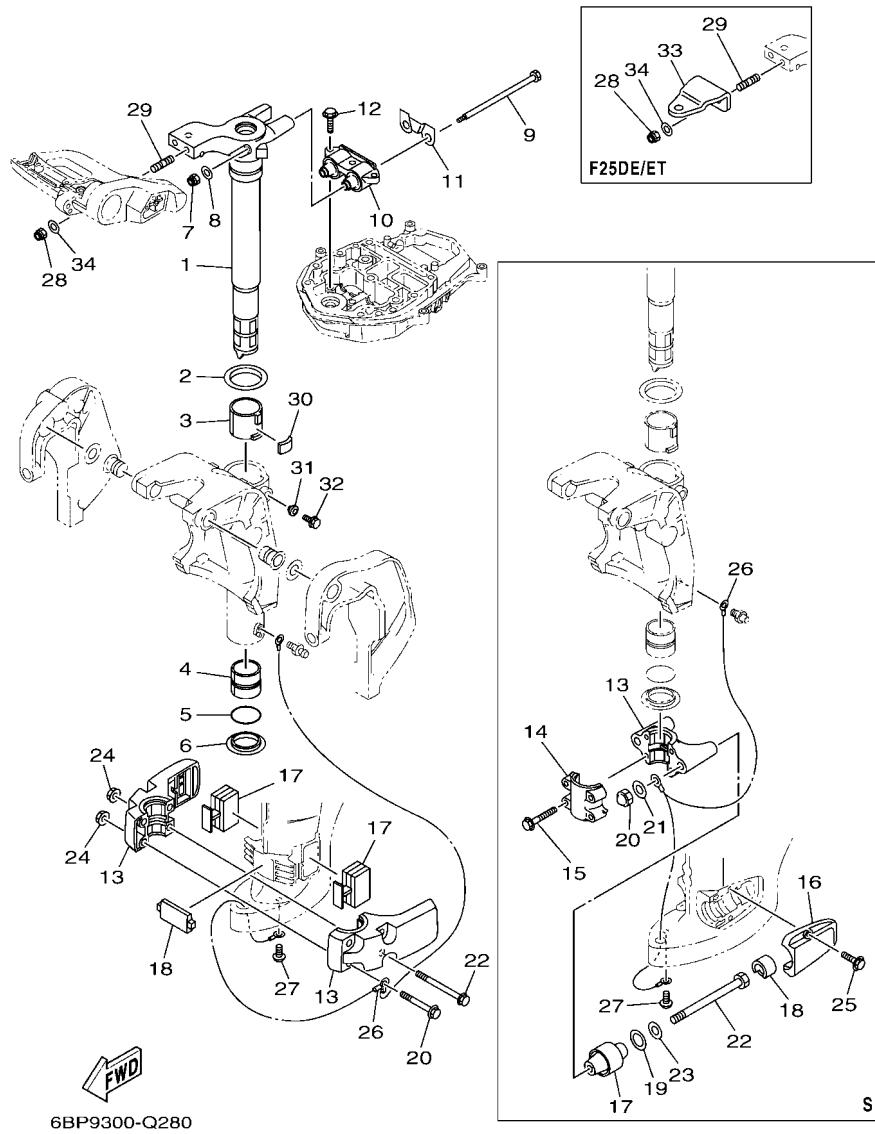
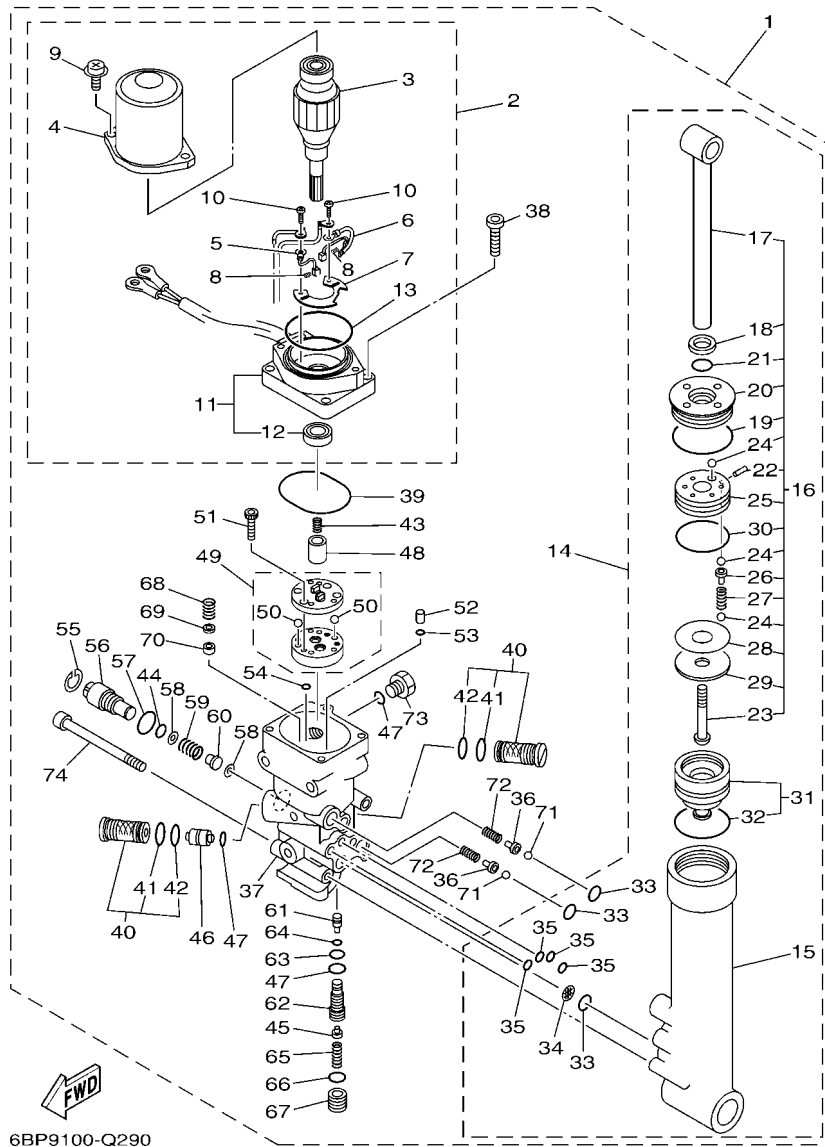


FIG. 28 BRACKET 3

SUPPORT 3

REF. NO.	PART NO. N° PIECES	DESCRIPTION DESCRIPTION	U	W	M	REMARKS REMARQUES
22	90119-10M14	BOLT, WITH WASHER BOULON, AVEC RONDELLE	2	2	2	L(21.7") L(21.7")
23	90201-13M19	WASHER, PLATE RONDELLE, PLATE		2	2	S(16.7") S(16.7")
24	90179-10M33	NUT ECROU	4	4	4	L(21.7") L(21.7")
25	97575-08530	BOLT, WITH WASHER VIS HEXAGONAL AVC RONDELLE		4	4	S(16.7") S(16.7")
26	63D-82127-00	WIRE, LEAD 2 FIL 2	1	1	1	S(16.7") S(16.7")
	65W-82127-10	WIRE, LEAD 2 FIL 2	1	1	1	L(21.7") L(21.7")
27	97885-06008	SCREW, PAN HEAD VIS, A ENCOCHE	1	1	1	
28	90185-10027	NUT, SELF-LOCKING ECROU, AUTO-BLOQUANT	2	2	2	
29	90116-10064	BOLT, STUD GOUJON	2	2	2	
30	648-42528-00	PLATE, FRICTION PLAQUE, FRICTION	1	1	1	
31	65W-43373-00	SEAL, DAMPER JOINT	1	1	1	
32	90105-08M76	BOLT, FLANGE BOULON, A COLLERETTE	1	1	1	
33	65W-48511-01	HOOK, STEERING ATTACHE, DIRECTION	1	1		
34	90201-10049	WASHER, PLATE RONDELLE, PLATE	2	2		
	92995-10600	WASHER RONDELLE			2	

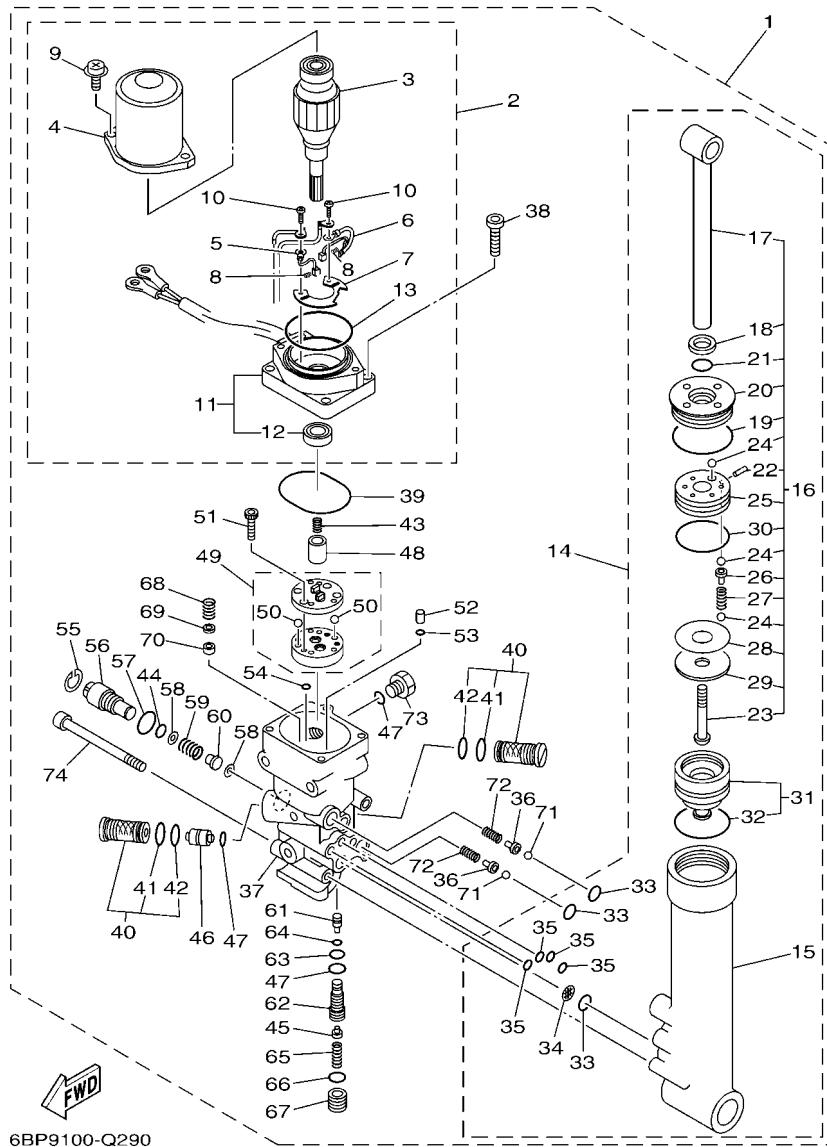


6BP9100-Q290

FIG. 29 POWER TRIM & TILT ASSY

PUISSANCE PARER ET INCLINER

REF. NO.	PART NO. N° PIECES	DESCRIPTION DESCRIPTION	U	E	MH	REMARKS REMARQUES
1	65W-43800-23-8D	POWER TRIM & TILT ASSY PUISSANCE PARER ET INCLINER (E)	1			
2	65W-43880-21	.MOTOR ASSY .MOTEUR (ENS.)	1			
3	67C-43805-10	.ARMATURE ASSY .INDUIT (ENS.)	1			
4	67C-43804-10	.STATOR ASSY .STATOR (ENS.)	1			
5	67C-43892-10	.BRUSH 2 .BALAI 2	1			
6	67C-82181-10	.CIRCUIT BREAKER COMP. .RUPTEUR COMPLET	1			
7	67C-4380F-10	.PLATE, BRUSH HOLDER .PLAQUE	1			
8	67C-4386K-10	.SPRING, BRUSH .RESSORT, BALAI	2			
9	67C-43879-10	.SCREW, WITH WASHER .VIS, AVEC RONDELLE	2			
10	97602-04316	.SCREW, PAN HEAD WITH WASHER .VIS, AVEC RONDELLE	2			
11	65W-43881-21	.FRAME, END .BATI	1			
12	67C-43882-10	...OIL SEAL ...JOINT SPI	1			
13	67C-43862-10	...O-RING ...JOINT TORIQUE	1			
14	65W-43840-01	POWER TILT ASSY PUISSANCE INCLINER (ENS.)	1			
15	65W-4380K-00	.CYLINDER, TILT SUB ASSY .CYLINDRE	1			
16	65W-43810-01	.TILT PISTON SUB ASSY ...INCLINER PISTON AUXILIAIRE(ENS)	1			
17	65W-43801-01	...ROD ...TIGE	1			
18	65W-43812-00	...SEAL, DUST ...JOINT	1			
19	65W-43865-00	...O-RING ...JOINT TORIQUE	1			
20	65W-43811-01	...SCREW, CYLINDER END ...VIS, CYLINDRE RACCORD	1			
21	67C-43867-00	...O-RING ...JOINT TORIQUE	1			
22	91609-16012	...PIN, SPRING ...AXE DE RESSORT	1			
23	92012-10040	...BOLT, BUTTON HEAD ...BOULON, TETE BOUTON	1			
24	93505-32038	...BALL ...BILLE	11			
25	65W-4385A-01	...PISTON, TILT ...PISTON	1			
26	65W-4386A-00	...PIN, ABSORBER VALVE ...GOUPILLE, SOUPAPE	5			
27	65W-43857-00	...SPRING, ABSORBER VALVE ...RESSORT	5			

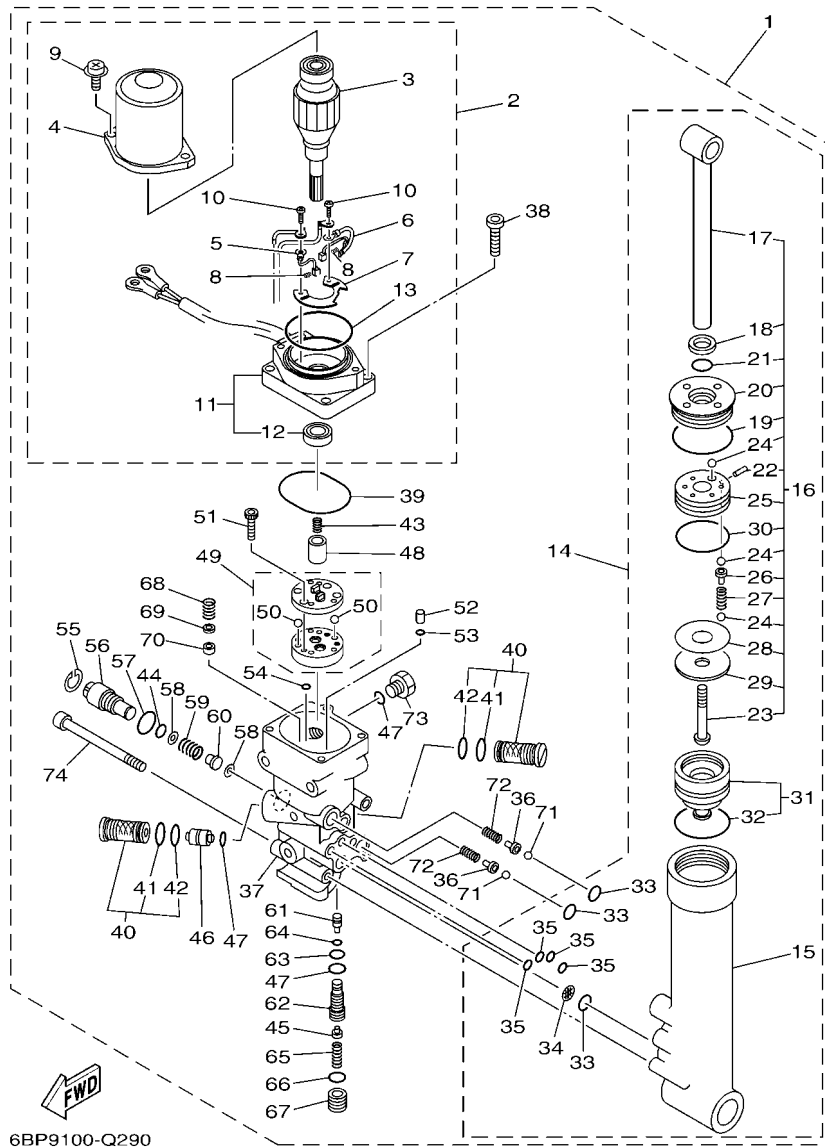


6BP9100-Q290

FIG. 29 POWER TRIM & TILT ASSY

PUISSANCE PARER ET INCLINER

REF. NO.	PART NO. N° PIECES	DESCRIPTION DESCRIPTION	U	E	MH	REMARKS REMARQUES
28	15A-22442-00	...SHIM ...CALE	1			UN UN
29	90201-10038	...WASHER, PLATE ...RONDELLE, PLATE	1			
30	6H1-43862-00	...O-RING ...JOINT TORIQUE	1			
31	65W-4381B-00	..FREE PISTON SUB ASSY ..PISTON AUXILIAIRE (ENS.)	1			
32	6H1-43861-10	...O-RING ...JOINT TORIQUE	1			
33	93210-11368	..O-RING ..JOINT TORIQUE	3			
34	69J-4381C-00	..FILTER 3 ..FILTRE 3	1			
35	93210-064A5	..O-RING ..JOINT TORIQUE	4			
36	65W-4386A-00	..PIN, ABSORBER VALVE ..GOUPILLE, SOUPAPE	2			
37	65W-4380L-04	..HOUSING, TRIM & TILT SUB ASSY ..CARTER	1			
38	91380-06020	..BOLT ..BOULON	4			
39	93210-50768	..O-RING ..JOINT TORIQUE	1			
40	67F-43802-00	..VALVE SUB ASSY ..CLAPET AUXILIAIRE (ENS.)	2			
41	6H1-43866-01	..O-RING ..JOINT TORIQUE	1			
42	93210-12N52	..O-RING ..JOINT TORIQUE	1			
43	6T4-43853-00	..SPRING, MAIN VALVE ..RESSORT	1			
44	93210-10M74	..O-RING ..JOINT TORIQUE	1			
45	6T4-43808-00	..SEAT VALVE COMP. 1 ..SIEGE VALVE COMP. 1	1			
46	62X-43841-00	..PISTON, SHUTTLE ..PISTON	1			
47	93210-09165	..O-RING ..JOINT TORIQUE	3			
48	65W-43831-00	..CONNECTOR, SHAFT ..RACCORD	1			
49	65W-43830-00	..GEAR PUMP ASSY ..POMPE A PIGNON (ENS.)	1			
50	93505-32038	..BALL ..BILLE	2			
51	91318-04025	..BOLT ..BOULON	4			
52	65W-43817-00	..FILTER 2 ..FILTRE 2	2			
53	93210-04N50	..O-RING ..JOINT TORIQUE	2			
54	93210-04N51	..O-RING ..JOINT TORIQUE	2			



6BP9100-Q290

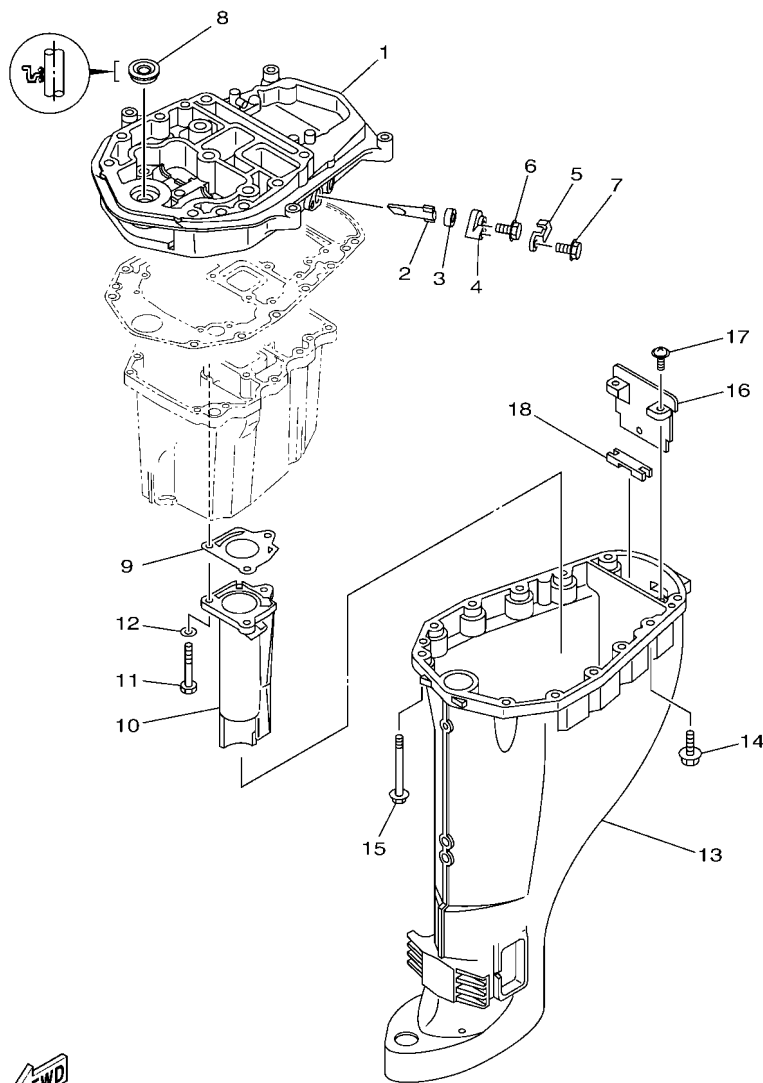
FIG. 29 POWER TRIM & TILT ASSY

PUISSANCE PARER ET INCLINER

REF. NO.	PART NO. N° PIECES	DESCRIPTION DESCRIPTION	E	T	E	MH	REMARKS REMARQUES
55	6H1-43875-00	.RING, SNAP .RESSORT	1				
56	6H1-43845-00	.SCREW, MANUAL RELEASE .VIS	1				
57	6D8-43863-00	.O-RING .JOINT TORIQUE	1				
58	6H1-43847-00	.SEAT, MANUAL VALVE .SIEGE	2				
59	65W-43854-00	.SPRING, MANUAL RELEASE .RESSORT	1				
60	65W-4382A-00	.ADAPTOR 1 .ADAPTEUR 1	1				
61	65W-43844-00	.PIN, VALVE SUPPORT .GOUPILLE	1				
62	65W-43851-00	.SEAT, RELIEF VALVE .SIEGE	1				
63	93210-08006	.O-RING .JOINT TORIQUE	1				
64	93210-03478	.O-RING .JOINT TORIQUE	1				
65	65W-43855-00	.SPRING, UP RELIEF .RESSORT	1				
66	93210-11073	.O-RING .JOINT TORIQUE	1				
67	65W-43843-00	.SCREW, VALVE LOCK .VIS	1				
68	6H1-43856-10	.SPRING, DOWN RELIEF .RESSORT	1				
69	6H1-43844-10	.PIN, VALVE SUPPORT .GOUPILLE	1				
70	6H1-4384F-10	.SEAL, MAIN VALVE .JOINT	1				
71	93501-08001	.BALL .BILLE	2				
72	65W-43853-00	.SPRING, MAIN VALVE .RESSORT	2				
73	6H1-43829-00	.PLUG, RESERVOIR .BOUCHON	1				
74	62X-43878-01	.BOLT, SOCKET .BOULON	3				

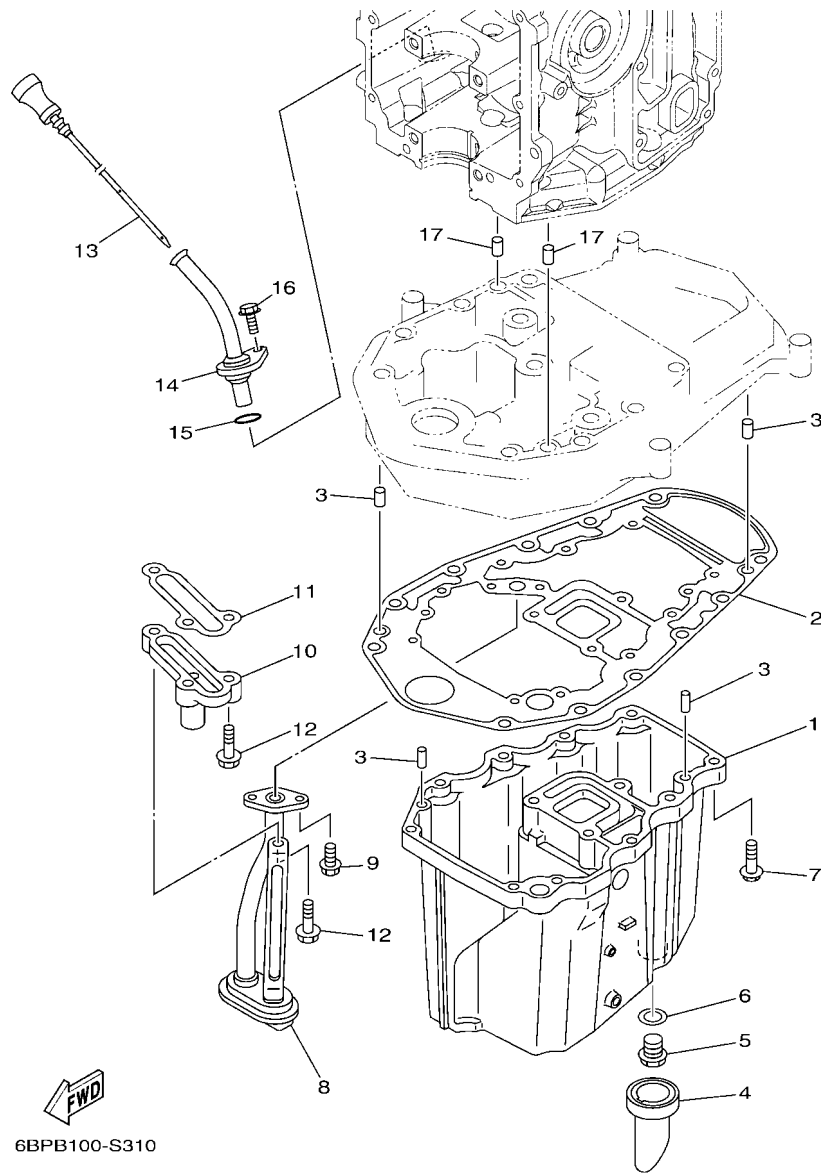
FIG. 30 UPPER CASING

FOURREAU



6BPB100-S300

REF. NO.	PART NO. N° PIECES	DESCRIPTION DESCRIPTION	FOURREAU			REMARKS REMARQUES
			U	L	MH	
1	67C-41137-20-CA	GUIDE, EXHAUST COLLECTEUR D'ECHAPPEMENT	1	1	1	
2	62Y-11325-00	ANODE ANODE	1	1	1	
3	66M-11328-00	GROMMET, ANODE PASSE-FIL	1	1	1	
4	66M-11327-00-94	COVER, ANODE COUVERCLE ANODE	1	1	1	
5	66M-12535-00	PLATE PLAQUE	1	1	1	
6	97595-05512	BOLT, WITH WASHER VIS HEXAGONAL AVC RONDELLE	1	1	1	
7	97513-06520	BOLT, WITH WASHER VIS HEXAGONAL AVC RONDELLE	1	1	1	
8	93103-16011	OIL SEAL JOINT SPY	1	1	1	
9	67C-41133-00	GASKET, EXHAUST MANIFOLD 1 JOINT, PIPE D'ECHAPPEMENT	1	1	1	
10	68U-41131-00-CA	MANIFOLD, EXT. 1 PIPE D'ECHAPPEMENT	1	1	1	
11	97075-06050	BOLT BOULON	3	3	3	
12	92995-06600	WASHER RONDELLE	3	3	3	
13	6BP-45111-00-8D 6D5-45111-10-8D	CASING, UPPER FOURREAU CASING, UPPER FOURREAU	1	1	1	S(16.7") S(16.7") L(21.7") L(21.7")
14	97575-08530	BOLT, WITH WASHER VIS HEXAGONAL AVC RONDELLE	4	4	4	
15	90119-08132	BOLT, WITH WASHER BOULON, AVEC RONDELLE	8	8	8	
16	65W-45151-00	COVER, UPPER CASING CAPUCHON, FOURREAU	1	1	1	
17	97980-05216	SCREW, WITH WASHER VIS, AVEC RONDELLE	2	2	2	
18	65W-45128-00	SEAL 2 JOINT 2	1	1	1	



6BPB100-S310

FIG. 31 OIL PAN

VENTILATEUR D'HUILE

REF. NO.	PART NO. N° PIECES	DESCRIPTION DESCRIPTION	U	L	MH	REMARKS REMARQUES
1	65W-15311-03-CA	OIL PAN VENTILATEUR D'HUILE	1	1	1	
2	69W-15312-00	GASKET, OIL PAN JOINT DE VENTILATEUR D'HUILE	1	1	1	
3	93606-12019	PIN, DOWEL GOUPILLE	4	4	4	
4	65W-15316-00	DAMPER 1 AMORTISSEUR 1	1	1	1	
5	90340-14M06	PLUG, STRAIGHT SCREW PLOT, FILETE DROIT	1	1	1	
6	90430-14M09	GASKET JOINT	1	1	1	
7	97575-06525	BOLT, WITH WASHER VIS HEXAGONAL AVC RONDELLE	10	10	10	
8	65W-13411-00	STRAINER, OIL FILTRE, HUILE	1	1	1	
9	97513-06516	BOLT, WITH WASHER VIS HEXAGONAL AVC RONDELLE	2	2	2	
10	6BG-11576-00-94	BODY, RELIEF CORPS DE SECURITE	1	1	1	
11	62Y-13475-00	GASKET JOINT	1	1	1	
12	97513-06525	BOLT, WITH WASHER VIS HEXAGONAL AVC RONDELLE	3	3	3	
13	6BL-15362-00	PLUG, OIL LEVEL PLOT, NIVEAU D'HUILE	1	1	1	
14	6BL-15377-00	GUIDE, INLET GUIDE D'ADMISSION	1	1	1	
15	93210-19MJ3	O-RING JOINT TORIQUE	1	1	1	
16	95895-06016	BOLT, FLANGE BOULON	1	1	1	
17	93608-12M05	PIN, DOWEL AXE	2	2	2	

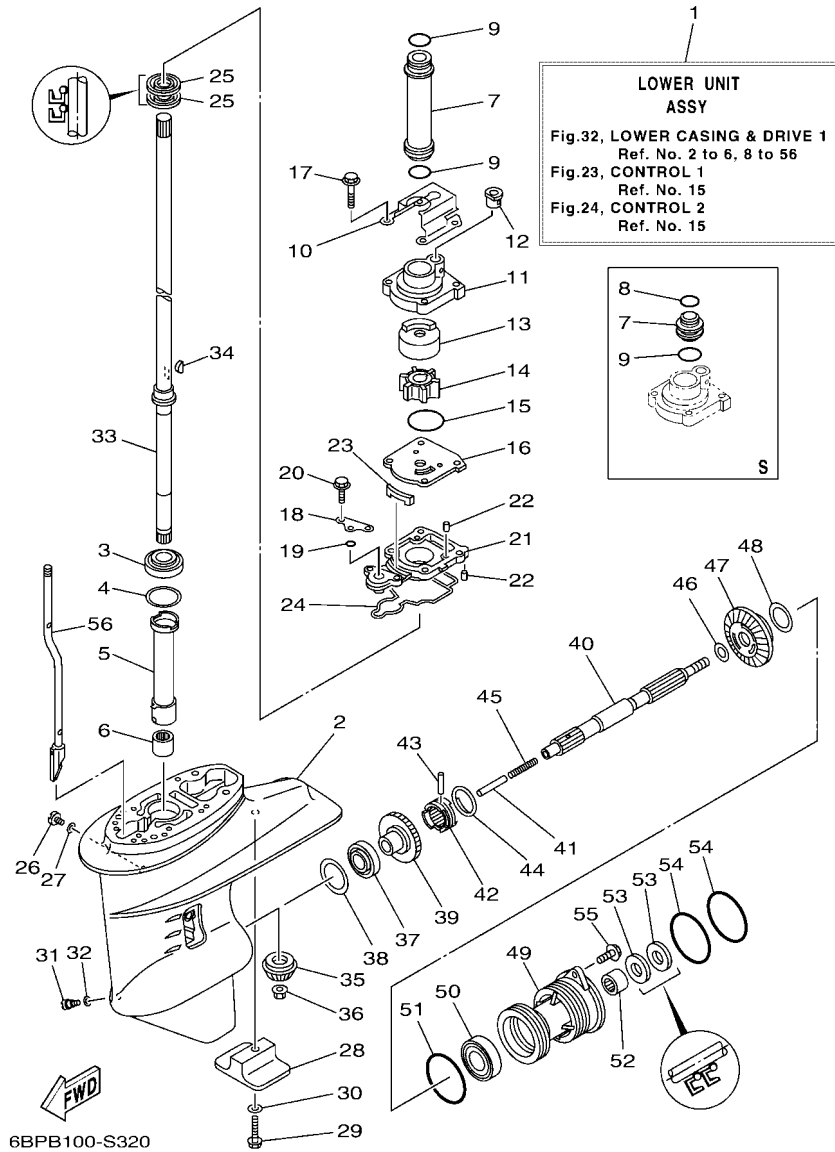


FIG. 32 LOWER CASING & DRIVE 1

BOITIER D'HELICE TRANSMISSION1

REF. NO.	PART NO. N° PIECES	DESCRIPTION DESCRIPTION	EL	W	MH	REMARKS REMARQUES
1	65W-45300-02-8D	LOWER UNIT ASSY UNITE INFERIEURE (ENS.)		1	1	S(16.7") S(16.7")
	65W-45300-12-8D	LOWER UNIT ASSY UNITE INFERIEURE (ENS.)	1	1	1	L(21.7") L(21.7")
2	61N-45311-02-8D	CASING, LOWER BOITIER D'HELICE	1	1	1	
3	93332-000W5	BEARING ROULEMENT	1	1	1	
4	61N-45587-00	SHIM (T:0.7MM) CALE (T:0.7MM)	1	1	1	UR UR
	61N-45587-10	SHIM (T:1.0MM) CALE (T:1.0MM)	1	1	1	UR UR
	61N-45587-20	SHIM (T:1.1MM) CALE (T:1.1MM)	1	1	1	UR UR
	61N-45587-30	SHIM (T:1.2MM) CALE (T:1.2MM)	1	1	1	UR UR
	61N-45587-40	SHIM (T:1.3MM) CALE (T:1.3MM)	1	1	1	UR UR
	61N-45587-50	SHIM (T:1.4MM) CALE (T:1.4MM)	1	1	1	UR UR
	61N-45587-60	SHIM (T:1.5MM) CALE (T:1.5MM)	1	1	1	UR UR
	61N-45587-70	SHIM (T:1.6MM) CALE (T:1.6MM)	1	1	1	UR UR
5	61N-45536-00	SLEEVE, DRIVE SHAFT MANCHON, ARBRE MOTEUR	1	1	1	
6	93315-220V7	BEARING ROULEMENT	1	1	1	
7	61N-44362-00	TUBE, WATER 2 TUBE D'EAU 2		1	1	S(16.7") S(16.7")
	61N-44362-10	TUBE, WATER 2 TUBE D'EAU 2	1	1	1	L(21.7") L(21.7")
8	93210-22164	O-RING JOINT TORIQUE		1	1	S(16.7") S(16.7")
9	93210-26130	O-RING JOINT TORIQUE		1	1	S(16.7") S(16.7")
	93210-26130	O-RING JOINT TORIQUE	2	2	2	L(21.7") L(21.7")
10	65W-44328-11	PLATE PLAQUETTE	1	1	1	L(21.7") L(21.7")
11	61N-44311-01	HOUSING, WATER PUMP CORPS, POMPE A EAU	1	1	1	
12	6L2-44367-00	DAMPER, WATER SEAL 3 JOINT TUBE D'EAU 3	1	1	1	
13	61N-44322-01	INSERT, CARTRIDGE CUVETTE	1	1	1	
14	6H4-44352-02	IMPELLER TURBINE	1	1	1	
15	93210-45161	O-RING JOINT TORIQUE	1	1	1	
16	61N-44323-00	OUTER PLATE, CARTRIDGE PLAQUE EXTERIEURE	1	1	1	
17	97595-06540	BOLT, WITH WASHER VIS HEXAGONAL AVC RONDELLE	4	4	4	

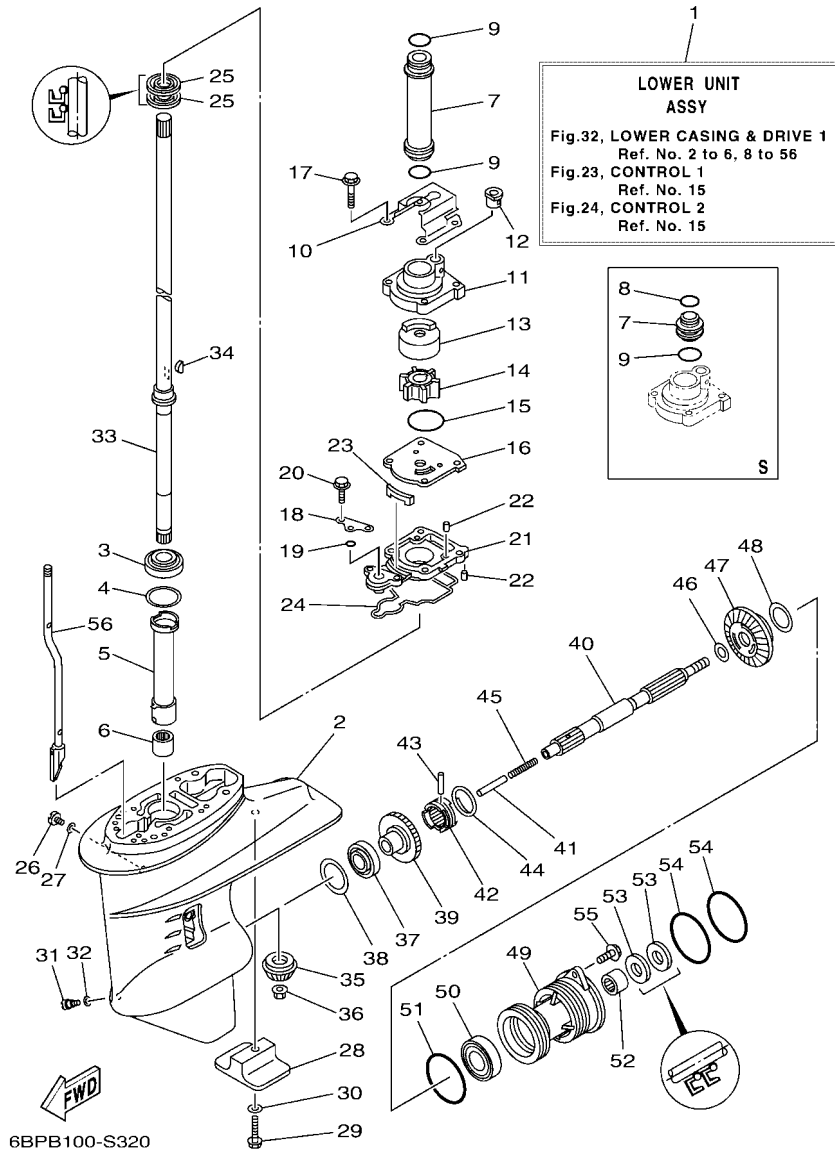


FIG. 32 LOWER CASING & DRIVE 1

BOITIER D'HELICE TRANSMISSION1

REF. NO.	PART NO. N° PIECES	DESCRIPTION DESCRIPTION	U	L	M	REMARKS REMARQUES
18	65W-44176-00	BRACKET SUPPORT	1	1	1	
19	93210-06ME6	O-RING JOINT TORIQUE	1	1	1	
20	97595-06525	BOLT, WITH WASHER VIS HEXAGONAL AVC RONDELLE	2	2	2	
21	65W-45331-00-CA	HOUSING, BEARING FLASQUE, ROULEMENT	1	1	1	
22	93604-10M03	PIN, DOWEL CLAVETTE	3	3	3	
23	61N-45127-00	SEAL JOINT	1	1	1	
24	61N-45315-00	PACKING, LOWER CASING JOINT, BOITIER D'HELICE	1	1	1	
25	93101-22067	OIL SEAL JOINT SPY	2	2	2	
26	90340-08002	PLUG, STRAIGHT SCREW PLOT, FILETE DROIT	1	1	1	
27	90430-08003	GASKET JOINT	1	1	1	
28	61N-45251-01	ANODE ANODE	1	1	1	
29	95895-06035	BOLT, FLANGE BOULON	1	1	1	
30	92990-06300	WASHER, INTERNAL TOOTH RONDELLE, DENTURE INTERNE	1	1	1	
31	688-45341-10	PLUG, DRAIN BOUCHON DE VIDANGE	1	1	1	
32	90430-08003	GASKET JOINT	1	1	1	
33	61N-45510-00	DRIVE SHAFT ASSY ARBRE MOTEUR (ENS.)	1	1	1	S(16.7") S(16.7")
	61N-45510-10	DRIVE SHAFT ASSY ARBRE MOTEUR (ENS.)	1	1	1	L(21.7") L(21.7")
34	90280-03024	KEY, WOODRUFF CLAVETTE, DEMI-LUNE	1	1	1	
35	61N-45551-00	PINION (13T) PIGNON D'ATTAQUE (13D)	1	1	1	
36	90179-10M14	NUT ECROU	1	1	1	
37	93332-00005	BEARING ROULEMENT	1	1	1	
38	6L2-45567-00	SHIM (T:1.0MM) CALE (T:1.0MM)	1	1	1	UR
	6L2-45567-10	SHIM (T:1.1MM) CALE (T:1.1MM)	1	1	1	UR
	6L2-45567-20	SHIM (T:1.2MM) CALE (T:1.2MM)	1	1	1	UR
	6L2-45567-30	SHIM (T:1.3MM) CALE (T:1.3MM)	1	1	1	UR
	6L2-45567-40	SHIM (T:1.4MM) CALE (T:1.4MM)	1	1	1	UR
39	61N-45560-10	GEAR 1 (27T) PIGNON 1 (27T)	1	1	1	

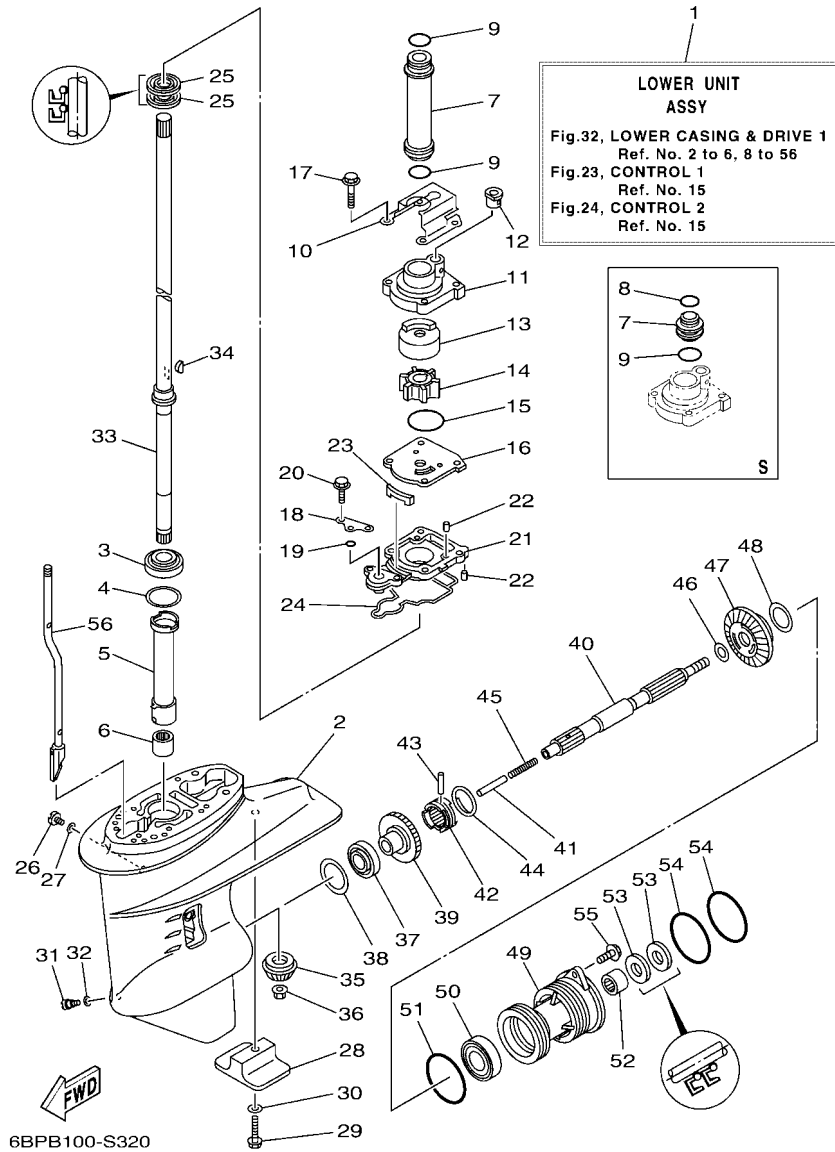


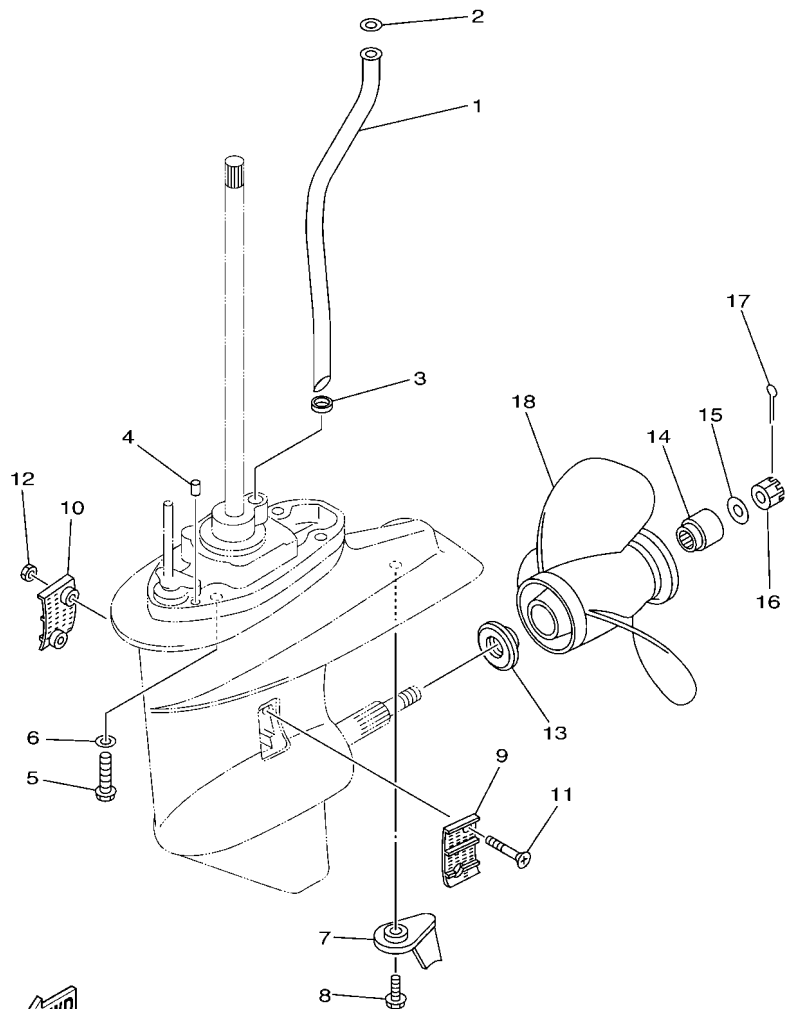
FIG. 32 LOWER CASING & DRIVE 1

BOITIER D'HELICE TRANSMISSION1

REF. NO.	PART NO. N° PIECES	DESCRIPTION DESCRIPTION	E	L	M	H	REMARKS REMARQUES
40	65W-45611-00	SHAFT, PROPELLER ARBRE, HELICE	1	1	1		
41	648-45635-00	PLUNGER, SHIFT POUSSOIR D'EMBRAYAGE	1	1	1		
42	6FM-45631-00	CLUTCH, DOG CRABOT	1	1	1		
43	90250-05010	PIN, STRAIGHT GOUPILLE, DROITE	1	1	1		
44	648-45633-11	RING, CROSS PIN JONC, GOUPILLE CRABOT	1	1	1		
45	90501-10065	SPRING, COMPRESSION RESSORT, COMPRESSION	1	1	1		
46	90201-20417	WASHER, PLATE RONDELLE, PLATE	1	1	1		
47	61N-45571-00	GEAR 2 (27T) PIGNON 2 (27T)	1	1	1		
48	6L2-45577-00	SHIM (T:1.0MM) CALE (T:1.0MM)	1	1	1		UR
	6L2-45577-10	SHIM (T:1.1MM) CALE (T:1.1MM)	1	1	1		UR
	6L2-45577-20	SHIM (T:1.2MM) CALE (T:1.2MM)	1	1	1		UR
	6L2-45577-30	SHIM (T:1.3MM) CALE (T:1.3MM)	1	1	1		UR
49	61N-45361-01-8D	CAP, LOWER CASING COUVERCLE, BOITIER D'HELICE	1	1	1		
50	93306-00612	BEARING ROULEMENT	1	1	1		
51	93210-64ME7	O-RING JOINT TORIQUE	1	1	1		
52	93315-22004	BEARING ROULEMENT	1	1	1		
53	93101-20M07	OIL SEAL JOINT SPY	2	2	2		
54	93210-65M50	O-RING JOINT TORIQUE	2	2	2		
55	97575-06520	BOLT, WITH WASHER VIS HEXAGONAL AVC RONDELLE	2	2	2		
56	65W-44150-01	SHIFT CAM ASSY CAME D'INVERSION	1	1			S(16.7") S(16.7")
	65W-44150-11	SHIFT CAM ASSY CAME D'INVERSION	1	1	1		L(21.7") L(21.7")

FIG. 33 LOWER CASING & DRIVE 2

BOITIER D'HELICE TRANSMISSION2




65W1100-2290

REF. NO.	PART NO. N° PIECES	DESCRIPTION DESCRIPTION	U	W	M	REMARKS REMARQUES
1	65W-44361-02	TUBE, WATER 1 TUBE D'EAU 1		1	1	S(16.7") S(16.7")
	65W-44361-12	TUBE, WATER 1 TUBE D'EAU 1	1	1	1	L(21.7") L(21.7")
2	90202-12060	WASHER, PLATE RONDELLE, PLATE	1	1	1	
3	90430-10002	GASKET JOINT	1	1	1	
4	93606-11M24	PIN, DOWEL GOUILLE	2	2	2	
5	90105-10M12	BOLT, FLANGE BOULON, A COLLERETTE	4	4	4	
6	92995-10600	WASHER RONDELLE	4	4	4	
7	61N-45371-00	TAB-TRIM ANODE DERIVE	1	1	1	
8	90119-06M48	BOLT, WITH WASHER BOULON, AVEC RONDELLE	1	1	1	
9	6L2-45214-00	COVER, WATER INLET 1 GRILLE, ENTREE D'EAU 1	1	1	1	
10	6L2-45215-00	COVER, WATER INLET 2 GRILLE, ENTREE D'EAU 2	1	1	1	
11	90151-05M05	SCREW, COUNTERSUNK VIS, TETE NOYEE	2	2	2	
12	90185-05002	NUT, NYLON ECROU, AUTO-BLOQUANT	2	2	2	
13	6L2-45987-01	SPACER 1 ENTRETOISE 1	1	1	1	
14	689-45997-00	SPACER 2 ENTRETOISE 2	1	1	1	
15	92990-14200	WASHER, PLAIN RONDELLE, PLATE	1	1	1	
16	90171-14013	NUT, CASTLE ECROU, CRENELE	1	1	1	
17	91490-30022	PIN, COTTER GOUILLE	1	1	1	
18	664-45943-01	PROPELLER (3X9-7/8"X8"-F) HELICE (3X9-7/8"X8"-F)	1	1	1	UR
	664-45941-01	PROPELLER (3X9-7/8"X9"-F) HELICE (3X9-7/8"X9"-F)	1	1	1	UR
	664-45945-00	PROPELLER (3X9-7/8"X10-1/2"-F) HELICE (3X9-7/8"X10-1/2"-F)	1	1	1	UR
	664-45947-01	PROPELLER (3X9-7/8"X11-1/4"-F) HELICE (3X9-7/8"X11-1/4"-F)	1	1	1	UR
	664-45954-01	PROPELLER (3X9-7/8"X12"-F) HELICE (3X9-7/8"X12"-F)	1	1	1	UR
	664-45972-00	PROPELLER (3X9-1/8"X12"-F) HELICE (3X9-1/8"X12"-F)	1	1	1	UR
	664-45949-02	PROPELLER (3X9-7/8"X13"-F) HELICE (3X9-7/8"X13"-F)	1	1	1	UR
	664-45970-00	PROPELLER (3X9-1/8"X13"-F) HELICE (3X9-1/8"X13"-F)	1	1	1	UR
	664-45952-00	PROPELLER (3X9-7/8"X14"-F) HELICE (3X9-7/8"X14"-F)	1	1	1	UR

FIG. 26 FUEL TANK 23 L

RESEVOIR A ESSENCE 23 L

REF. NO.	PART NO. NO. PIECES	DESCRIPTION DESCRIPTION					REMARKS REMARQUES
1	8085080	COMPLETE FUEL TANK 23 L RESEVOIR A ESSENCE (ENS.) 23 L				1	
2	3540275	GASKET JOINT				1	
3	1598845	FUEL TANK PLUG (POS. NO 2+3) BOUCHON (ENS.) (POS. 2+3)				1	
4	8055085	COMPLETE FUEL SUCTION DURITE DE SUCCION				1	
5	7080500	CLAMP COLLIER				1	
6	8050270	FUEL HOSE DURITE A ESSENCE				1	
7	7080490	CLAMP COLLIER				1	
8	6G1-24305-01	FUEL CONNECTOR - FEMALE DURITE RACCORDMENT A ESSENCE				1	
	1575270	FUEL TANK WITH PIPE RESEVOIR A ESSENCE + DURITE				1	
	1581280	COMPLETE PIPE (POS.NO. 5+6+7) DURITE A ESSENCE (ENS) (POS. 5+6+7)				1	

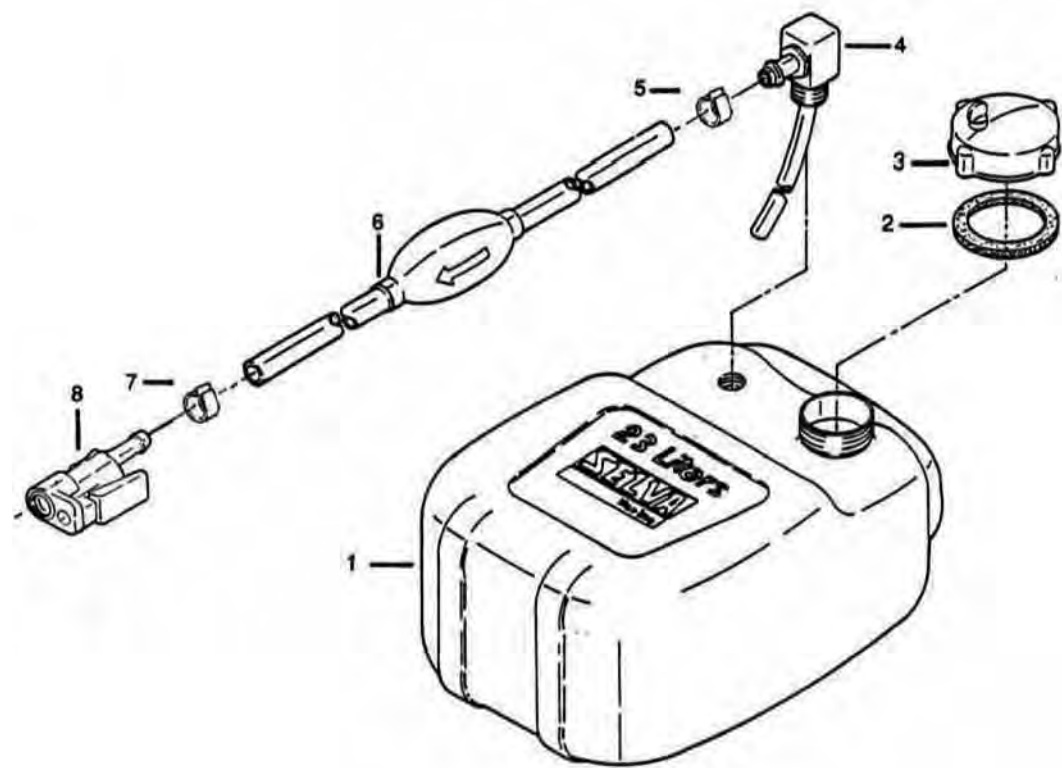
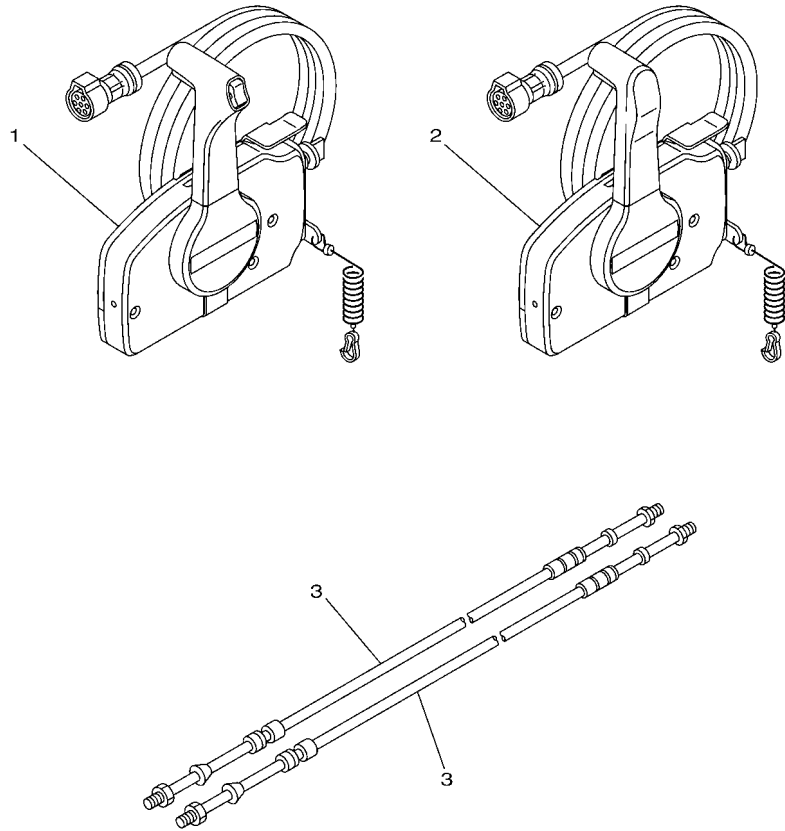


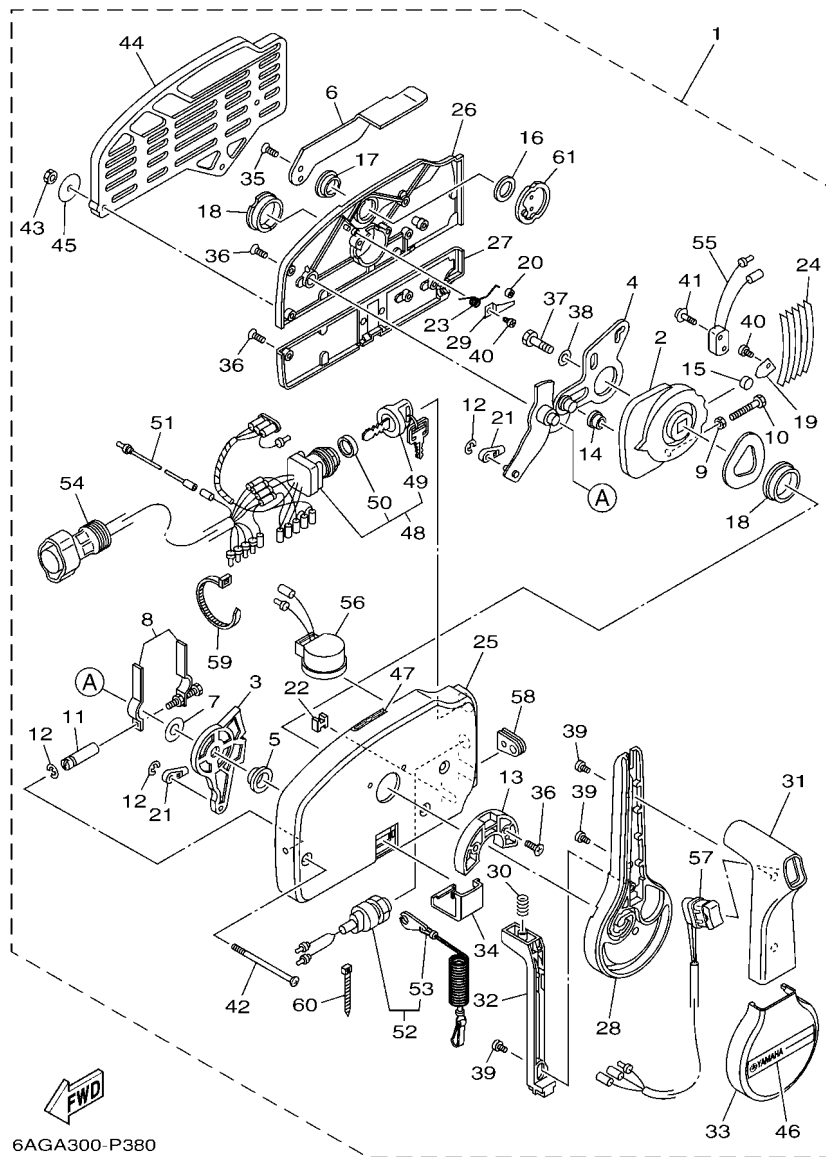
FIG. 37 REMOTE CONTROL BOX

BOITIER DE COMMANDE A DISTANCE




6BP8300-P370

REF. NO.	PART NO. N° PIECES	DESCRIPTION DESCRIPTION	U	E	MH	REMARKS REMARQUES
1	703-48205-B2	REMOTE CONTROL ASSY (10P, PTT) BOITIER DE COMMANDE A DISTANCE	1			AP WITH PT/T SW. AP WITH PT/T SW.
2	703-48201-B1	REMOTE CONTROL ASSY (10P) BOITIER DE COMMANDE A DISTANCE		1		AP WITHOUT PT/T SW. AP WITHOUT PT/T SW.
3	701-48310-90	CABLE, REMOTE CONTROL L=11F CABLE, COMMANDE A DISTANCE:11F	2	2		UR UR
	701-48320-00	CABLE, REMOTE CONTROL L=12F CABLE, COMMANDE A DISTANCE:12F	2	2		UR UR
	701-48320-20	CABLE, REMOTE CONTROL L=13F CABLE, COMMANDE A DISTANCE:13F	2	2		UR UR
	701-48320-50	CABLE, REMOTE CONTROL L=15F CABLE, COMMANDE A DISTANCE:15F	2	2		UR UR

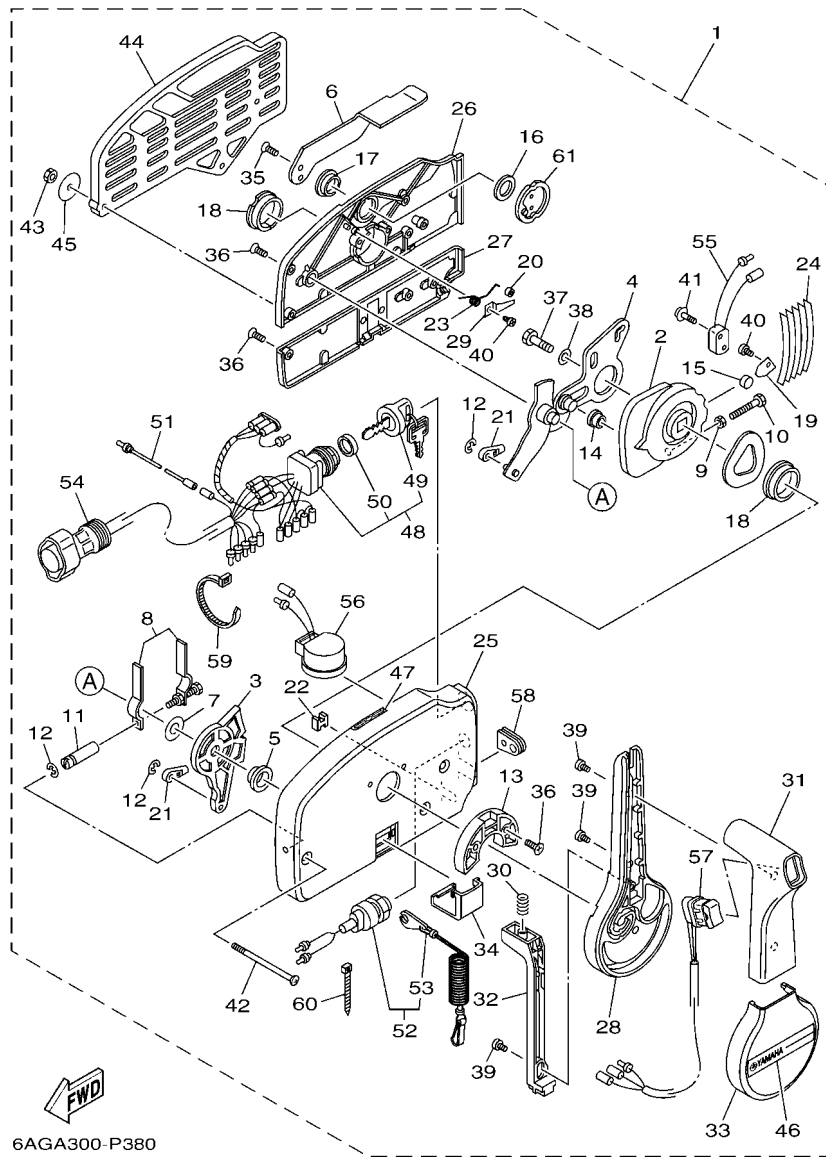


6AGA300-P380

FIG. 38 REMOTE CONTROL ASSY 1

BOITIER DE COMMANDE A DISTANCE

REF. NO.	PART NO. N° PIECES	DESCRIPTION DESCRIPTION	U	E	MH	REMARKS REMARQUES
1	703-48205-B2	REMOTE CONTROL ASSY (10P, PTT) BOITIER DE COMMANDE A DISTANCE	1			AP WITH PT/T SW. AP WITH PT/T SW.
2	703-48232-00	.GEAR .PIGNON	1			
3	703-48271-00	.ARM, SHIFT .BRAS	1			
4	703-48261-01	.ARM, THROTTLE .BRAS, ACCELERATION	1			
5	703-48235-00	.BUSHING .COUSSINET	1			
6	703-48152-10	.KNOB, FREE ACCEL. .BOUTON	1			
7	703-48268-00	.SPACER .ENTRETOISE	1			
8	703-48264-00	.FRICTION, THROTTLE .FRICTION, ACCELERATION	1			
9	95380-05600	.NUT .ECROU	1			
10	97380-05025	.BOLT .BOULON, HEXAGONAL	1			
11	703-48265-10	.SHAFT, FRICTION .AXE, COPILOTE	1			
12	93430-06024	.CIRCLIP .CLIPS	3			
13	703-48245-00	.PLATE, LOCK .PLAQUE, VERROU	1			
14	703-48252-00	.ROLLER, CAM .POULIE	1			
15	701-48248-00	.ROLLER, FREE ACCEL. .POULIE	1			
16	703-48198-00	.WASHER, WAVE .RONDELLE, ELASTIQUE ONDULEE	1			
17	703-48243-00	.BUSHING .COUSSINET	1			
18	703-48236-00	.BUSHING 1 .POULIE	2			
19	703-48189-00	.RETAINER .FLASQUE	1			
20	703-48234-00	.ROLLER, DETENT .POULIE	1			
21	703-48345-01	.CABLE END, REMOTE CONTROL 2 .CHAPE CABLE	2			
22	703-48358-00	.ANCHOR, CABLE .COLLIER	1			
23	703-48244-00	.SPRING, FREE ACCEL. .RESSORT	1			
24	703-48238-00	.SPRING, DETENT .RESSORT	5			
25	703-48211-10	.HOUSING, 1 .CORPS	1			
26	703-48212-10	.BACK PLATE 1 .PLAQUETTE 1	1			
27	703-48213-10	.BACK PLATE 2 .PLAQUETTE 2	1			

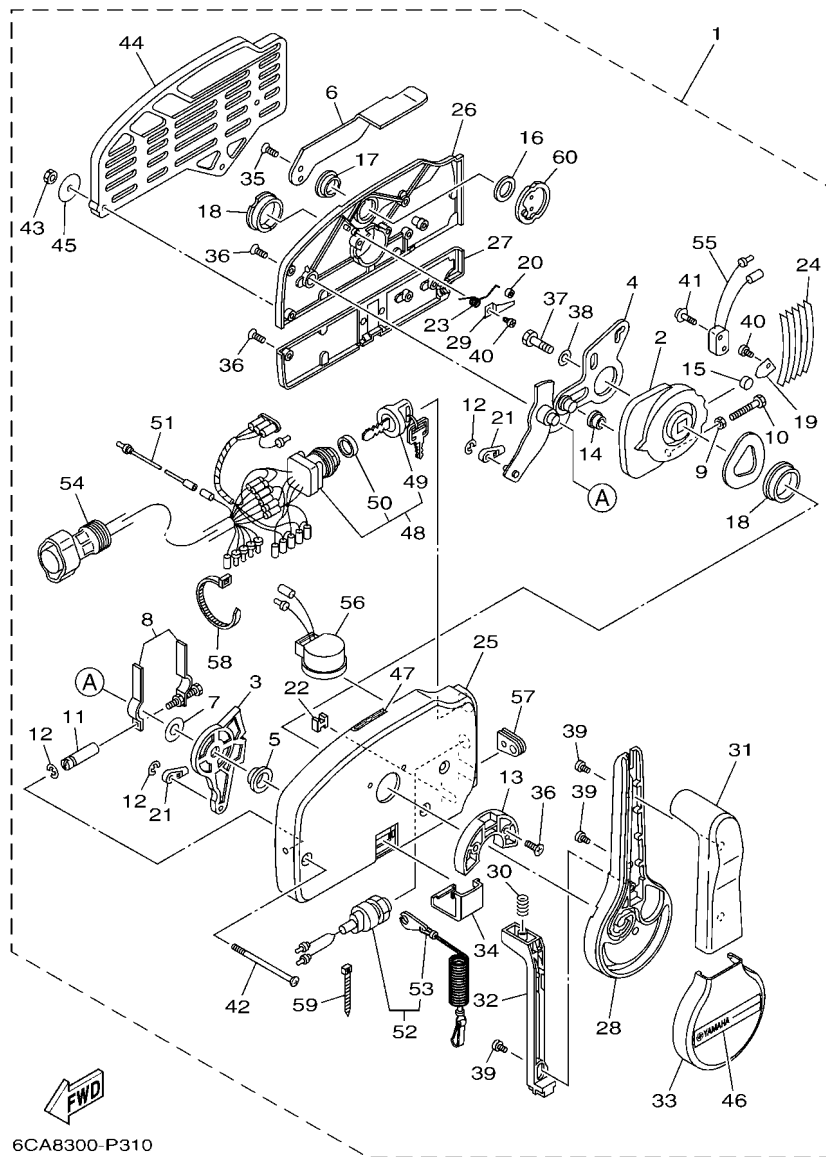


6AGA300-P380

FIG. 38 REMOTE CONTROL ASSY 1

BOITIER DE COMMANDE A DISTANCE

REF. NO.	PART NO. N° PIECES	DESCRIPTION DESCRIPTION	EL	E	MH	REMARKS REMARQUES
28	703-48221-10	.LEVER, CONTROL .LEVIER, COMMANDE	1			
29	703-48246-00	.SPACER .ENTRETOISE	1			
30	703-48227-00	.SPRING, NEUTRAL LOCK .RESSORT	1			
31	703-48222-20	.GRIP, CONTROL LEVER .POIGNEE, COMMANDE LEVIER	1			SINGLE SINGLE
32	703-48223-10	.LOCK, NEUTRAL .VERROU, NEUTRAL	1			
33	703-48225-10	.COVER .COUVERCLE	1			
34	703-48219-10	.COVER, LEAD .COUVERCLE	1			
35	703-48281-00	.SCREW .VIS	2			
36	703-44189-20	.SCREW .VIS	7			
37	97380-08030	.BOLT .BOULON, HEXAGONAL	1			
38	92990-08600	.WASHER, PLATE .RONDELLE, PLATE	1			
39	703-48128-10	.SCREW 2 .VIS 2	3			
40	98580-04006	.SCREW, PAN HEAD .VIS	2			
41	703-48129-00	.SCREW 3 .VIS 3	2			
42	703-44189-30	.SCREW .VIS	3			
43	95380-06600	.NUT, HEXAGON .ECROU	3			
44	703-48293-10	.SPACER, REMOTE CONTROL .ENTRETOISE	1			SINGLE SINGLE
45	701-48287-00	.WASHER .RONDELLE	3			
46	703-48215-10	.GRAPHIC .ADHESIF	1			
47	6X3-44191-00	.INDICATOR, SHIFT .ETIQUETTE, EMBRAYAGE	1			
48	703-82510-13	.MAIN SWITCH ASSY .CONTACTEUR A CLEF COMPLET	1			PRIME START PRIME START
49	676-82577-01	.CAP, KEY .CABOCHON	1			
50	703-82532-00	.CAP .COUVERCLE	1			
51	703-82531-00	.WIRE, LEAD (L70) .FIL (L70)	1			
52	688-82575-02	.ENGINE STOP SWITCH ASSY .COUPE CIRCUIT CPLT	1			
53	682-82556-00	.LANYARD, STOP SWITCH .CORDON DU COUPE CIRCUIT	1			
54	688-8258A-20	.EXTENSION, WIRE HARNESS (4.9M) .EXTENSION, FAISCEAU DE FILS (4	1			(10P) (10P)



6CA8300-P310

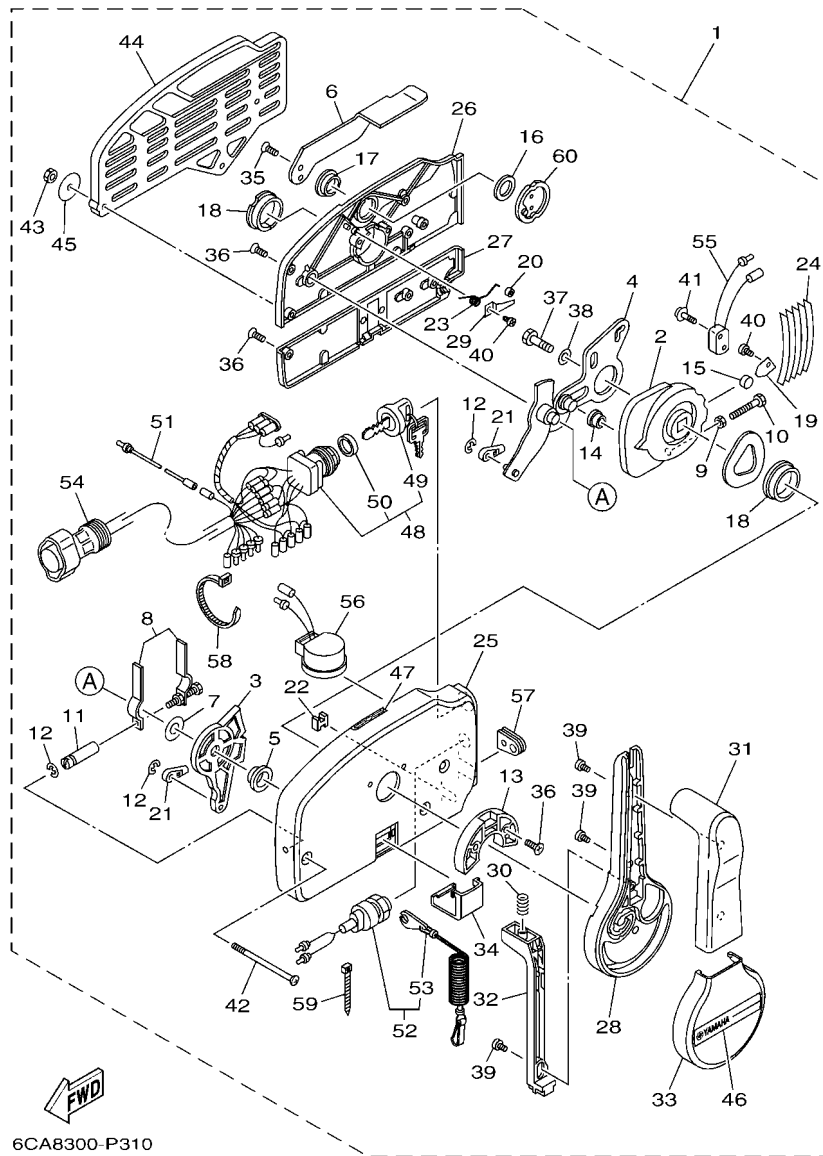
FIG. 39 REMOTE CONTROL ASSY 2

BOITIER DE COMMANDE A DISTANCE

REF. NO.	PART NO. N° PIECES	DESCRIPTION DESCRIPTION	ET	U	MH	REMARKS REMARQUES
1	703-48201-B1	REMOTE CONTROL ASSY (10P) BOITIER DE COMMANDE A DISTANCE		1		AP WITHOUT PT/T SW. AP WITHOUT PT/T SW.
2	703-48232-00	.GEAR .PIGNON		1		
3	703-48271-00	.ARM, SHIFT .BRAS		1		
4	703-48261-01	.ARM, THROTTLE .BRAS, ACCELERATION		1		
5	703-48235-00	.BUSHING .COUSSINET		1		
6	703-48152-10	.KNOB, FREE ACCEL. .BOUTON		1		
7	703-48268-00	.SPACER .ENTRETOISE		1		
8	703-48264-00	.FRICTION, THROTTLE .FRICTION, ACCELERATION		1		
9	95380-05600	.NUT .ECROU		1		
10	97380-05025	.BOLT .BOULON, HEXAGONAL		1		
11	703-48265-10	.SHAFT, FRICTION .AXE, COPILOTE		1		
12	93430-06024	.CIRCLIP .CLIPS		3		
13	703-48245-00	.PLATE, LOCK .PLAQUE, VERROU		1		
14	703-48252-00	.ROLLER, CAM .POULIE		1		
15	701-48248-00	.ROLLER, FREE ACCEL. .POULIE		1		
16	703-48198-00	.WASHER, WAVE .RONDELLE, ELASTIQUE ONDULEE		1		
17	703-48243-00	.BUSHING .COUSSINET		1		
18	703-48236-00	.BUSHING 1 .POULIE		2		
19	703-48189-00	.RETAINER .FLASQUE		1		
20	703-48234-00	.ROLLER, DETENT .POULIE		1		
21	703-48345-01	.CABLE END, REMOTE CONTROL 2 .CHAPE CABLE		2		
22	703-48358-00	.ANCHOR, CABLE .COLLIER		1		
23	703-48244-00	.SPRING, FREE ACCEL. .RESSORT		1		
24	703-48238-00	.SPRING, DETENT .RESSORT		5		
25	703-48211-10	.HOUSING, 1 .CORPS		1		
26	703-48212-10	.BACK PLATE 1 .PLAQUETTE 1		1		
27	703-48213-10	.BACK PLATE 2 .PLAQUETTE 2		1		

FIG. 39 REMOTE CONTROL ASSY 2

BOITIER DE COMMANDE A DISTANCE

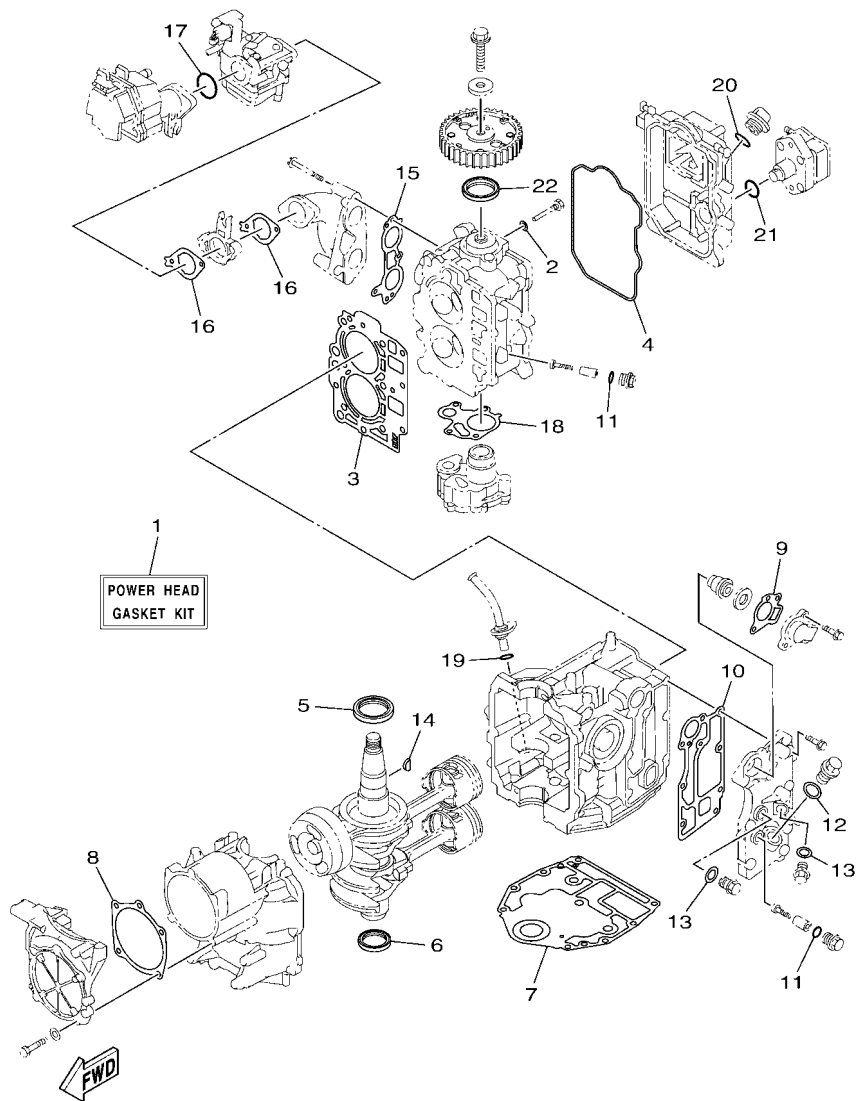


6CA8300-P310

REF. NO.	PART NO. N° PIECES	DESCRIPTION DESCRIPTION	ET	U	MH	REMARKS REMARQUES
28	703-48221-10	.LEVER, CONTROL .LEVIER, COMMANDE		1		
29	703-48246-00	.SPACER .ENTRETOISE		1		
30	703-48227-00	.SPRING, NEUTRAL LOCK .RESSORT		1		
31	703-48222-30	.GRIP, CONTROL LEVER .POIGNEE, COMMANDE LEVIER		1		SINGLE SINGLE
32	703-48223-10	.LOCK, NEUTRAL .VERROU, NEUTRAL		1		
33	703-48225-10	.COVER .COUVERCLE		1		
34	703-48219-10	.COVER, LEAD .COUVERCLE		1		
35	703-48281-00	.SCREW .VIS		2		
36	703-44189-20	.SCREW .VIS		7		
37	97380-08030	.BOLT .BOULON, HEXAGONAL		1		
38	92990-08600	.WASHER, PLATE .RONDELLE, PLATE		1		
39	703-48128-10	.SCREW 2 .VIS 2		3		
40	98580-04006	.SCREW, PAN HEAD .VIS		2		
41	703-48129-00	.SCREW 3 .VIS 3		2		
42	703-44189-30	.SCREW .VIS		3		
43	95380-06600	.NUT, HEXAGON .ECROU		3		
44	703-48293-10	.SPACER, REMOTE CONTROL .ENTRETOISE		1		SINGLE SINGLE
45	701-48287-00	.WASHER .RONDELLE		3		
46	703-48215-10	.GRAPHIC .ADHESIF		1		
47	6X3-44191-00	.INDICATOR, SHIFT .ETIQUETTE, EMBRAYAGE		1		
48	703-82510-13	.MAIN SWITCH ASSY .CONTACTEUR A CLEF COMPLET		1		PRIME START PRIME START
49	676-82577-01	.CAP, KEY .CABOCHON		1		
50	703-82532-00	.CAP .COUVERCLE		1		
51	703-82531-00	.WIRE, LEAD (L70) .FIL (L70)		1		
52	688-82575-02	.ENGINE STOP SWITCH ASSY .COUPE CIRCUIT CPLT		1		
53	682-82556-00	.LANYARD, STOP SWITCH .CORDON DU COUPE CIRCUIT		1		
54	688-8258A-20	.EXTENSION, WIRE HARNESS (4.9M) .EXTENSION, FAISCEAU DE FILS (4		1		(10P) (10P)

FIG. 40 REPAIR KIT 1

KITS DE REPARATION 1

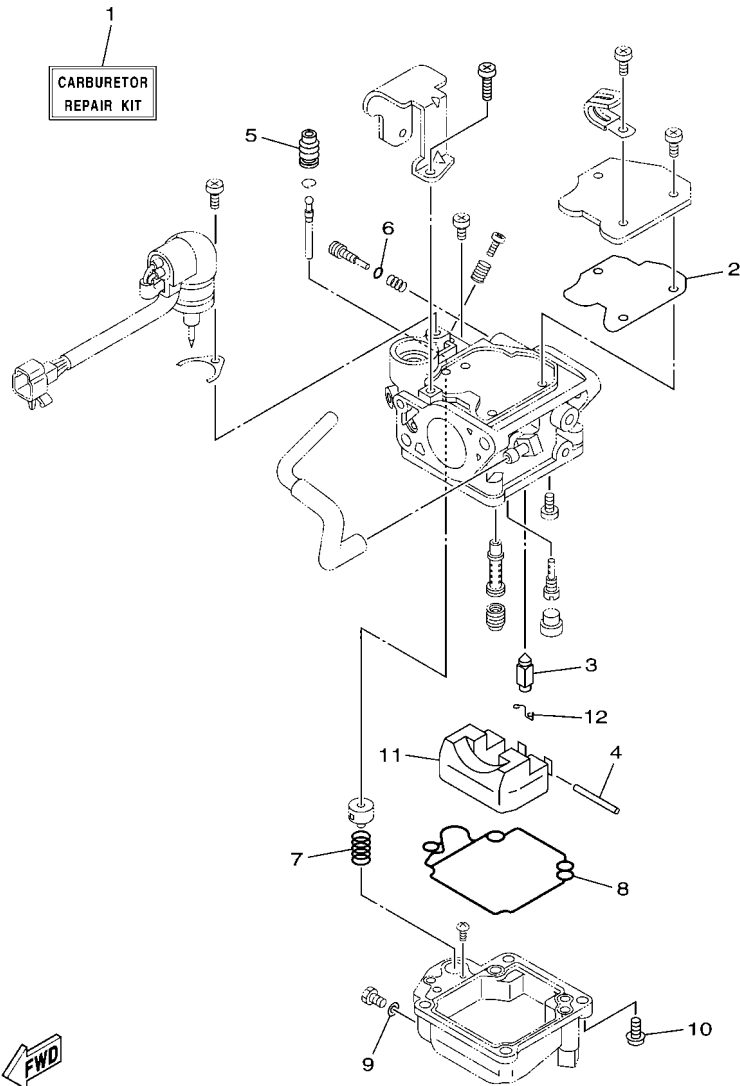


6BP7100-N360

REF. NO.	PART NO. N° PIECES	DESCRIPTION DESCRIPTION	U	L	MH	REMARKS REMARQUES
1	6BL-W0001-01	POWER HEAD GASKET KIT POCHETTE DE JINTS TETE MOTRICE	1	1	1	
2	90430-06014	.GASKET .JOINT	1	1	1	
3	6BL-11181-00	.GASKET, CYLINDER HEAD 1 .JOINT, DE CULASSE 1	1	1	1	
4	6BL-11356-00	.SEAL, CYLINDER 2 .JOINT, SPY CYLINDRE	1	1	1	
5	93102-43M42	.OIL SEAL .JOINT SPY	1	1	1	
6	93101-35002	.OIL SEAL .JOINT SPY	1	1	1	
7	6BG-11351-00	.GASKET, CYLINDER .JOINT, D'EMBASE	1	1	1	
8	6BL-15663-00	.SEAL .JOINT	1	1	1	
9	62Y-12414-00	.GASKET, COVER .JOINT, COUVERCLE	1	1	1	
10	6BL-41114-00	.GASKET, EXHAUST OUTER COVER .JOINT, COUVERCLE D'ECHAPPEMENT	1	1	1	
11	93210-13M63	.O-RING .JOINT TORIQUE	3	3	3	
12	90201-186F1	.WASHER, PLATE .RONDELLE, PLATE	1	1	1	
13	90430-14115	.GASKET .JOINT	2	2	2	
14	90280-03017	.KEY, WOODRUFF .CLAVETTE, DEMI-LUNE	1	1	1	
15	6BL-13645-00	.GASKET, MANIFOLD 1 .JOINT, TUBULURE 1	1	1	1	
16	6BL-13646-00	.GASKET, MANIFOLD 2 .JOINT, TUBULURE 2	2	2	2	
17	93210-39ME4	.O-RING .JOINT TORIQUE	1	1	1	
18	6C5-13329-00	.GASKET, PUMP COVER .JOINT, COUVERCLE DE POMPE	1	1	1	
19	93210-19MJ3	.O-RING .JOINT TORIQUE	1	1	1	
20	93210-24M79	.O-RING .JOINT TORIQUE	1	1	1	
21	93210-24M79	.O-RING .JOINT TORIQUE	1	1	1	
22	93102-37M40	.OIL SEAL .JOINT SPY	1	1	1	

FIG. 41 REPAIR KIT 2

KITS DE REPARATION 2

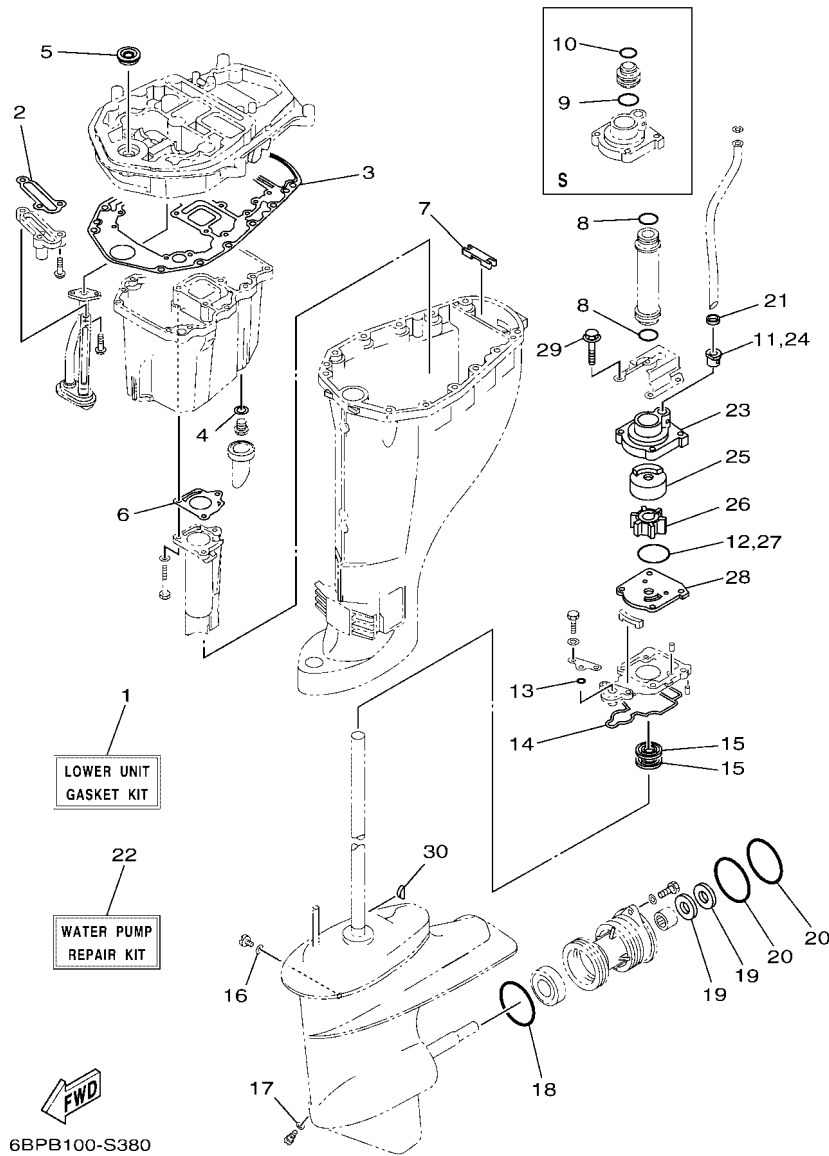


FWD
6BP1100-H390

REF. NO.	PART NO. N° PIECES	DESCRIPTION DESCRIPTION	E	L	MH	REMARKS REMARQUES
1	6BL-W0093-00	CARBURETOR REPAIR KIT KIT DE REPARATION CARBURATEUR	1	1	1	
2	65W-14126-10	.GASKET .JOINT	1	1	1	
3	6AH-14546-00	.VALVE, NEEDLE .POINTEAU	1	1	1	
4	6H4-14548-00	.PIN, FLOAT ARM .AXE, BRAS DE FLOTTEUR	1	1	1	
5	65W-14373-02	.COVER, PLUNGER CAP .COUVERCLE DE PLONGEUR	1	1	1	
6	67C-14397-00	.O-RING .JOINT TORIQUE	1	1	1	
7	65W-14335-00	.SPRING, PLUNGER .RESSORT, PLONGEUR	1	1	1	
8	65W-14384-00	.GASKET, FLOAT CHAMBER .JOINT, CUVE DE FLOTTEUR	1	1	1	
9	65W-14398-00	.GASKET .JOINT	1	1	1	
10	97980-04114	.SCREW, WITH WASHER .VIS, AVEC RONDELLE	4	4	4	
11	63V-14985-00	.FLOAT .FLOTTEUR	1	1	1	
12	663-14159-00	.CLIP .JONC	1	1	1	

FIG. 42 REPAIR KIT 3

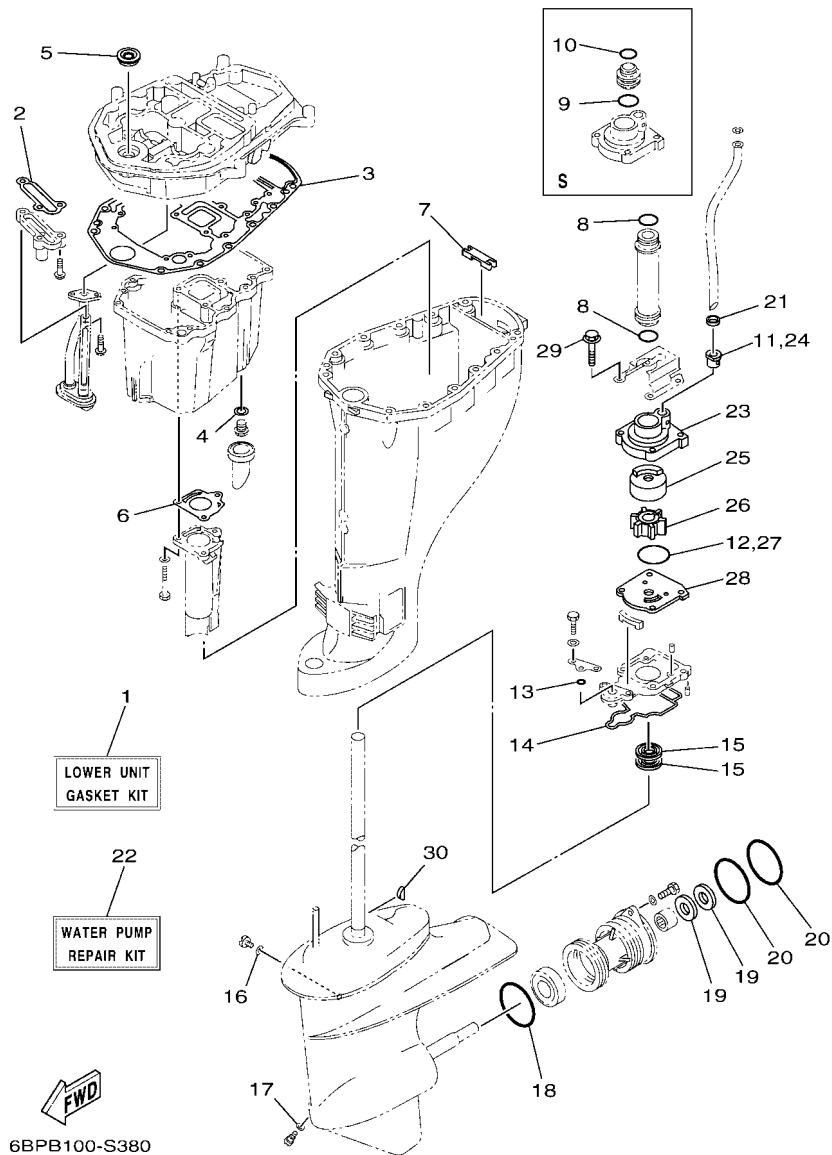
KITS DE PEPARATION 3



REF. NO.	PART NO. N° PIECES	DESCRIPTION DESCRIPTION	U	L	MH	REMARKS REMARQUES
1	65W-W0001-24	LOWER UNIT GASKET KIT POCHETTE DE JOINTS EMBASE	1	1	1	
2	62Y-13475-00	.GASKET .JOINT	1	1	1	
3	69W-15312-00	.GASKET, OIL PAN .JOINT DE VENTILATEUR D'HUILE	1	1	1	
4	90430-14M09	.GASKET .JOINT	1	1	1	
5	93103-16011	.OIL SEAL .JOINT SPY	1	1	1	
6	67C-41133-00	.GASKET, EXHAUST MANIFOLD 1 .JOINT, PIPE D'ECHAPPEMENT	1	1	1	
7	65W-45128-00	.SEAL 2 .JOINT 2	1	1	1	
8	93210-26130	.O-RING .JOINT TORIQUE	2	2	2	L(21.7") L(21.7")
9	93210-26130	.O-RING .JOINT TORIQUE	1	1	1	S(16.7") S(16.7")
10	93210-22164	.O-RING .JOINT TORIQUE	1	1	1	S(16.7") S(16.7")
11	6L2-44367-00	.DAMPER, WATER SEAL 3 .JOINT TUBE D'EAU 3	1	1	1	
12	93210-45161	.O-RING .JOINT TORIQUE	1	1	1	
13	93210-06ME6	.O-RING .JOINT TORIQUE	1	1	1	
14	61N-45315-00	.PACKING, LOWER CASING .JOINT, BOITIER D'HELICE	1	1	1	
15	93101-22067	.OIL SEAL .JOINT SPY	2	2	2	
16	90430-08003	.GASKET .JOINT	1	1	1	
17	90430-08003	.GASKET .JOINT	1	1	1	
18	93210-64ME7	.O-RING .JOINT TORIQUE	1	1	1	
19	93101-20M07	.OIL SEAL .JOINT SPY	2	2	2	
20	93210-65M50	.O-RING .JOINT TORIQUE	2	2	2	
21	90430-10002	.GASKET .JOINT	1	1	1	
22	61N-W0078-11	WATER PUMP REPAIR KIT KIT DE REPARATION DE LA POMPE	1	1	1	
23	61N-44311-01	.HOUSING, WATER PUMP .CORPS, POMPE A EAU	1	1	1	
24	6L2-44367-00	.DAMPER, WATER SEAL 3 .JOINT TUBE D'EAU 3	1	1	1	
25	61N-44322-01	.INSERT, CARTRIDGE .CUVETTE	1	1	1	
26	6H4-44352-02	.IMPELLER .TURBINE	1	1	1	
27	93210-45161	.O-RING .JOINT TORIQUE	1	1	1	

FIG. 42 REPAIR KIT 3

KITS DE PEPARATION 3



6BPB100-S380

REF. NO.	PART NO. N° PIECES	DESCRIPTION DESCRIPTION	ET	E	MH	REMARKS REMARQUES
28	61N-44323-00	.OUTER PLATE, CARTRIDGE .PLAQUE EXTERIEURE	1	1	1	
29	97595-06540	.BOLT, WITH WASHER .VIS HEXAGONAL AVC RONDELLE	4	4	4	
30	90280-03024	.KEY, WOODRUFF .CLAVETTE, DEMI-LUNE	1	1	1	
<hr/>						
<hr/>						
<hr/>						
<hr/>						
<hr/>						
<hr/>						
<hr/>						
<hr/>						
<hr/>						
<hr/>						