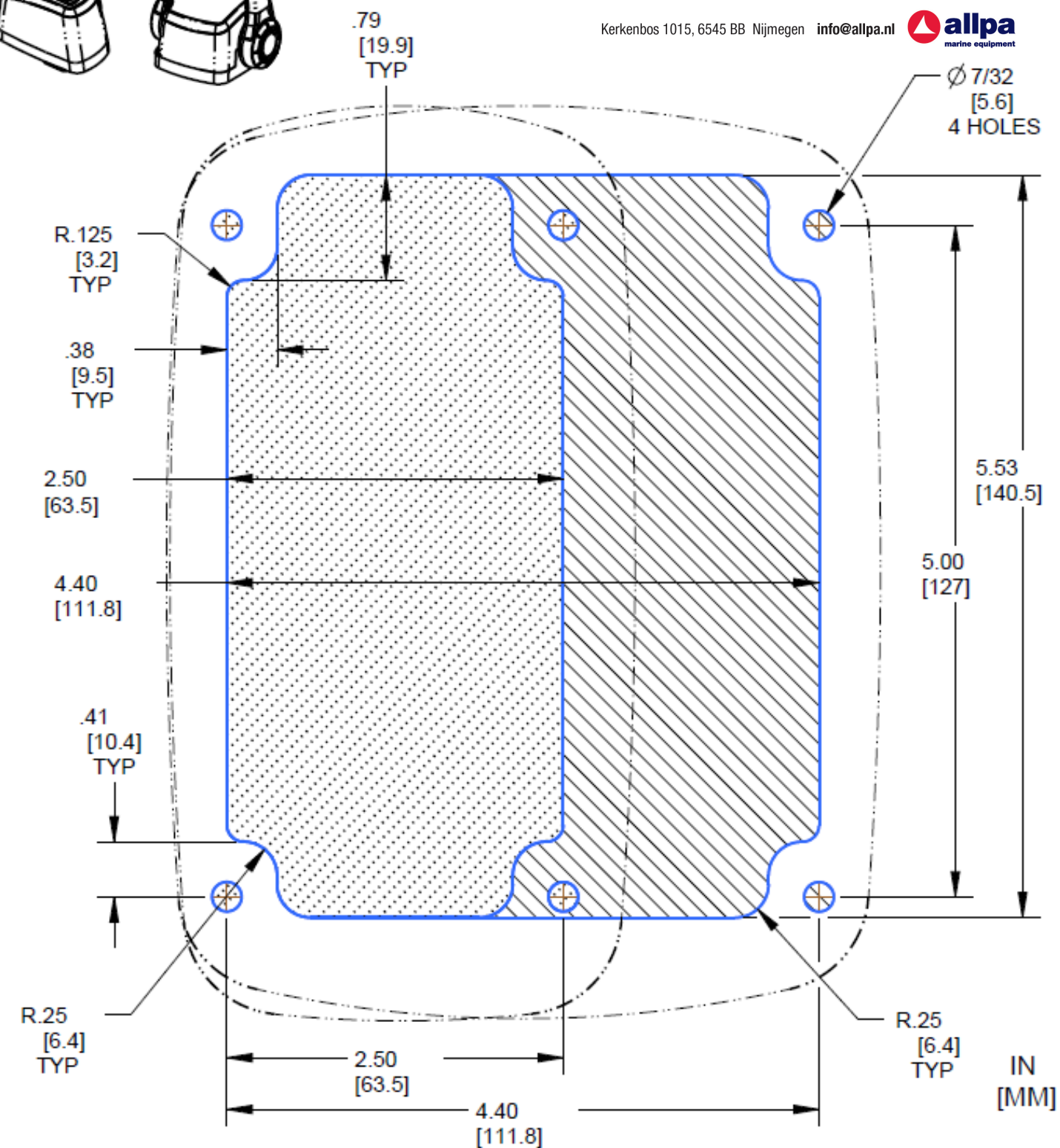


# CHX Mounting Template

## Single & Twin Top Mount Controls

### Panel Cut Out (Full Size)

Kerkenbos 1015, 6545 BB Nijmegen info@allpa.nl



REMOVE ENTIRE HATCHED AREA WHEN MOUNTING BOTH SINGLE & TWIN CONTROLS ON TOP OF PANEL.

REMOVE THIS AREA WHEN MOUNTING TWIN CONTROL ON TOP OF PANEL.

### NOTICE

*This template may not be to scale. Its presence is for information purposes. A separate work template—MT-CHX81 has been included with this control.*